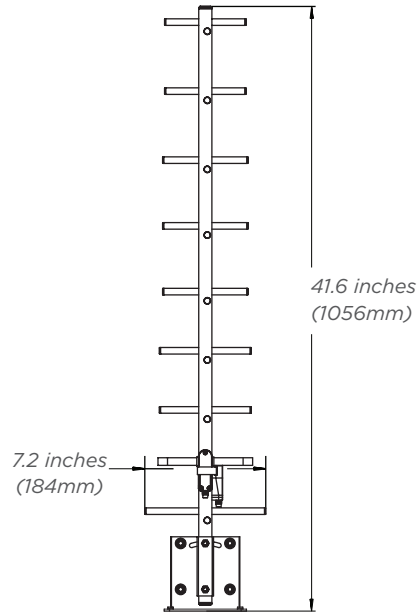
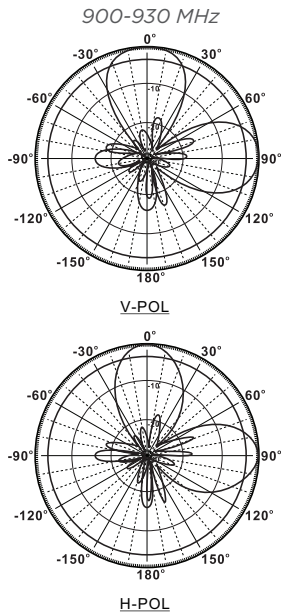


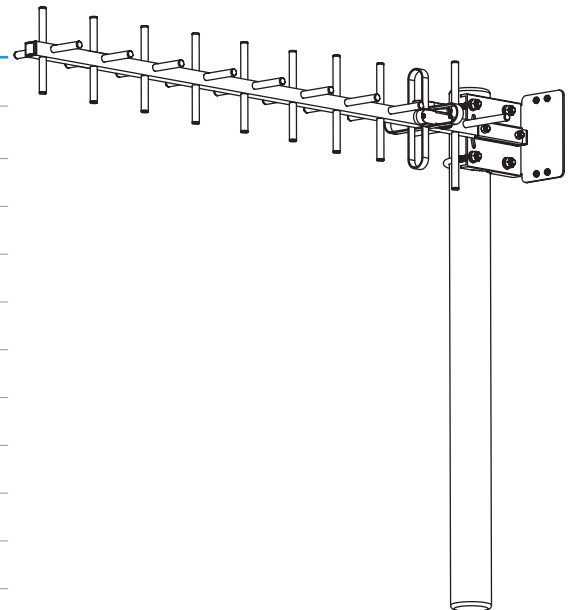
900 MHz 12 dBi Gain Directional Antenna

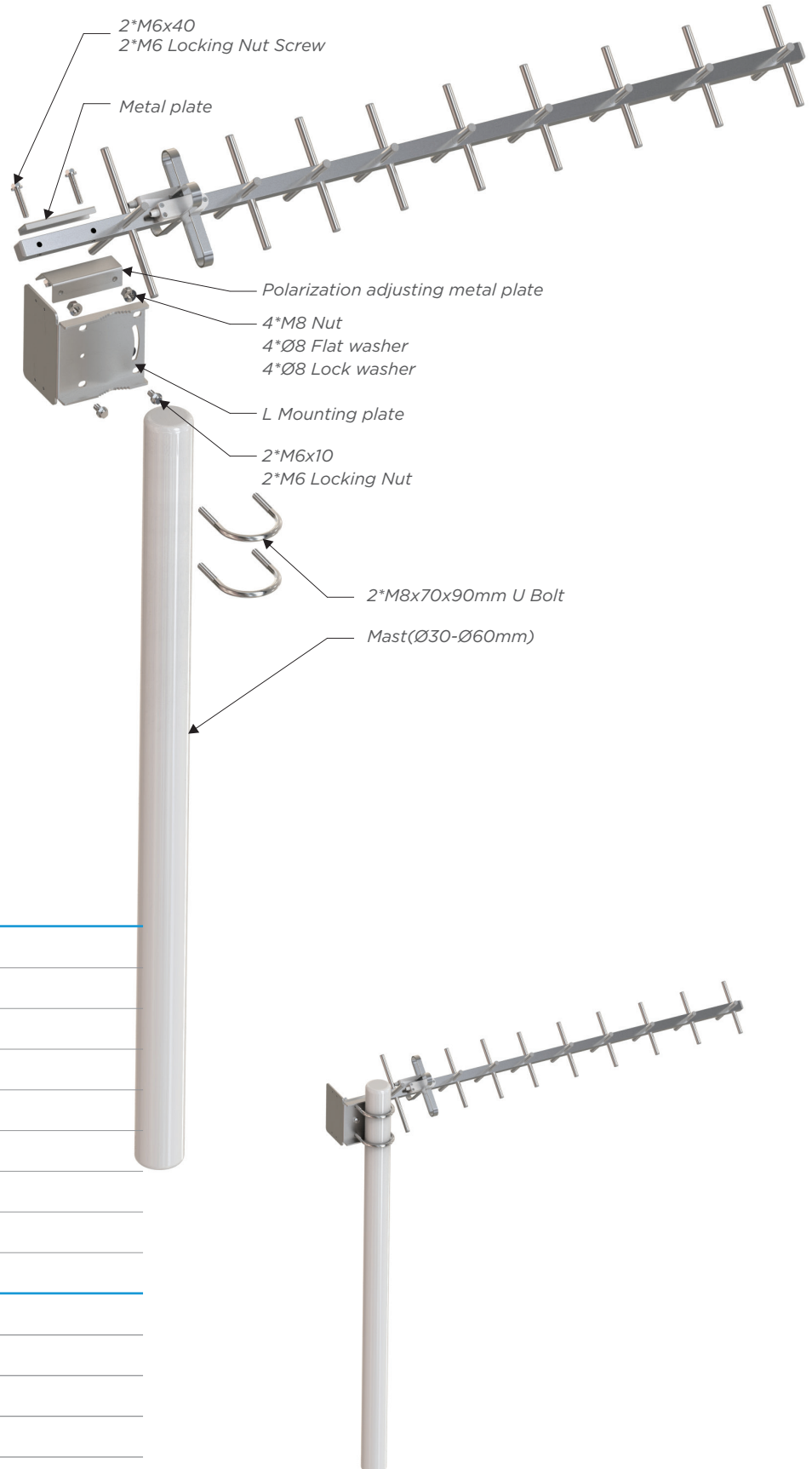
The directional antenna is compatible with PMP 450i 900 MHz.



ELECTRICAL DATA

Frequency	900-930 MHz
Gain	12 dBi
VSWR	<1.7:1
Polarization	Dual slant, ±45°
Horizontal Beamwidth	45°
Vertical Beamwidth	38°
Nominal Impedance	50 Ohms
Front-to-back Isolation	>16 dB
Max Power Input	50 W
Lightning Protection	DC Ground





MECHANICAL DATA

Connector	2*RP SMA Male
Dimensions	1056mm/41.6in
Weight	1kg/2.2lb
Cable Length	2*360mm
Mounting Method	Mast
Mast Size	Ø30-Ø60mm
Rated Wind Velocity	210km/h
Operating Temperature	-40-+65°C

SHIPMENT DATA

Packaging Quantity	1pc/Carton
Carton Size	1110*180*180mm
(Length / Width / Height)	43.7*7.1*7.1in
Packaging Weight	1.3kg/2.9lb