



# 5.25 - 5.85 GHz High Performance Dual Pole Parabolic Reflector Antenna

High Performance Dual Pole Parabolic Reflector Antennas from Cambium Networks are well-suited for deployment with any of the sub-6 GHz PTP products. They are engineered to provide ETSI class 2/3 radiation pattern performance as well as excellent gain. Field-proven preassembled antennas and robust pole mounts ensure “set and forget” installation with minimal post installation maintenance. The included radome ensures robust and reliable performance under the most challenging conditions.

## FEATURES AND BENEFITS:

- High Performance ETSI Class 2/3\* Parabolic Antennas - Excellent performance for a wide range of applications
- Fully Preassembled at the Factory - Simplifies installation on site and guarantees “factory tested” quality
- Industry leading 7year warranty
- Suitable for deployment with PTP 650, PTP 670, PTP 700 and PTP 450i connectorized radios.
- Fully supported in LINKPlanner™ providing accurate predictions of PTP link performance and availability. LINKPlanner™ is available at no charge from the support website at [cambiumnetworks.com](http://cambiumnetworks.com).

\*ETSI Class depends on frequency band



## SPECIFICATIONS

### GENERAL

Antenna Type	High Performance Parabolic Reflector Antenna
Size, nominal	2 ft (0.6 m); 3 ft (0.9 m); 4 ft (1.2 m)
Polarization	Dual
Standard RF Connector Type	N-Female

## SPECIFICATIONS

<b>ELECTRICAL</b>	<b>2 FT (0.6 M)</b>	<b>3 FT (0.9 M)</b>	<b>4 FT (1.2 M)</b>
Model Number	RDH4508B	RDH4509B	RDH4510B
Description	5.25-5.85 GHZ, 2-FT (0.6M), HIGH PERFORMANCE DUAL-POL	5.25-5.85 GHZ, 3-FT (0.9M), HIGH PERFORMANCE DUAL-POL	5.25-5.85 GHZ, 4-FT (1.2M), HIGH PERFORMANCE DUAL-POL
Operating Frequency Band	5.25 - 5.85 GHz	5.25 - 5.85 GHz	5.25 - 5.85 GHz
Half Power Beamwidth, Horizontal	6.1 degrees	4.2 degrees	3 degrees
Half Power Beamwidth, Vertical	6.1 degrees	4.2 degrees	3 degrees
Cross-Polarization Discrimination	28 dB	30 dB	30 dB
Front to Back Ratio (F/B)	44 dB	46 dB	49 dB
Gain, Low Frequency	28.3 dB	31.8 dB	34.2 dBi
Gain, Mid Frequency	28.8 dB	32.3 dBi	34.7 dBi
Gain, High Frequency	29.3 dB	32.8 dBi	34.7 dBi
VSWR	1.5:1	1.5:1	1.5:1
Return Loss	-14 dB	-14 dB	-14 dB

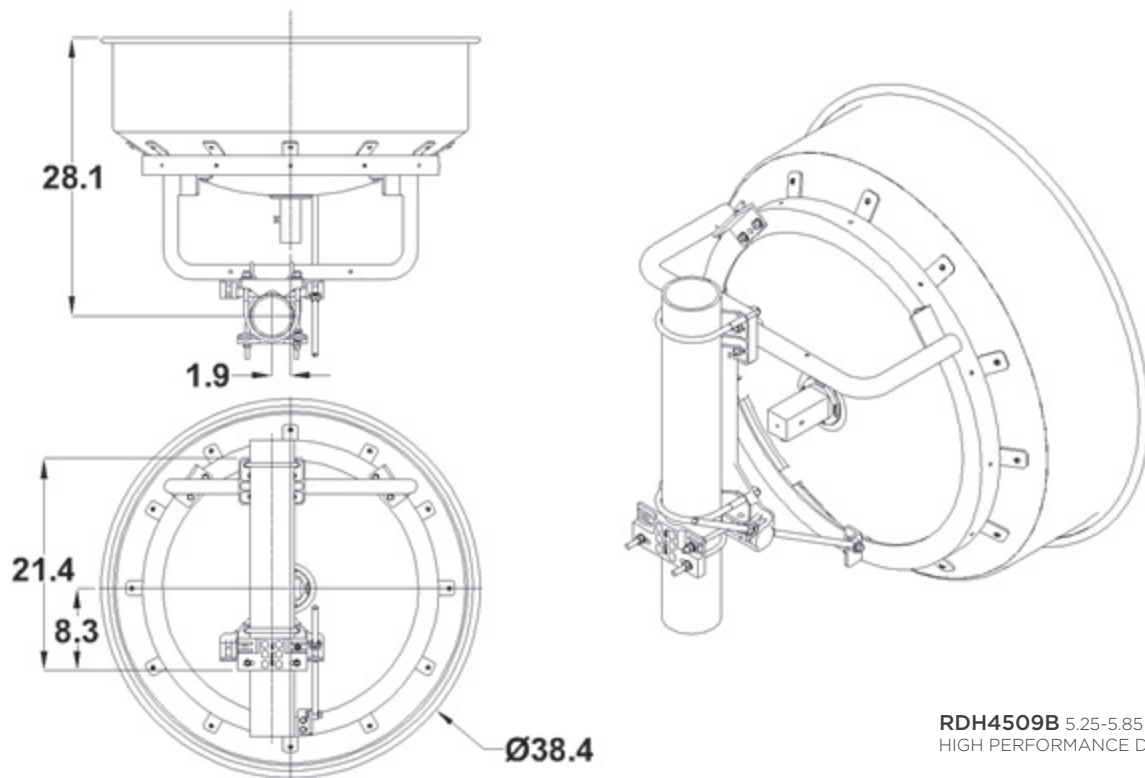
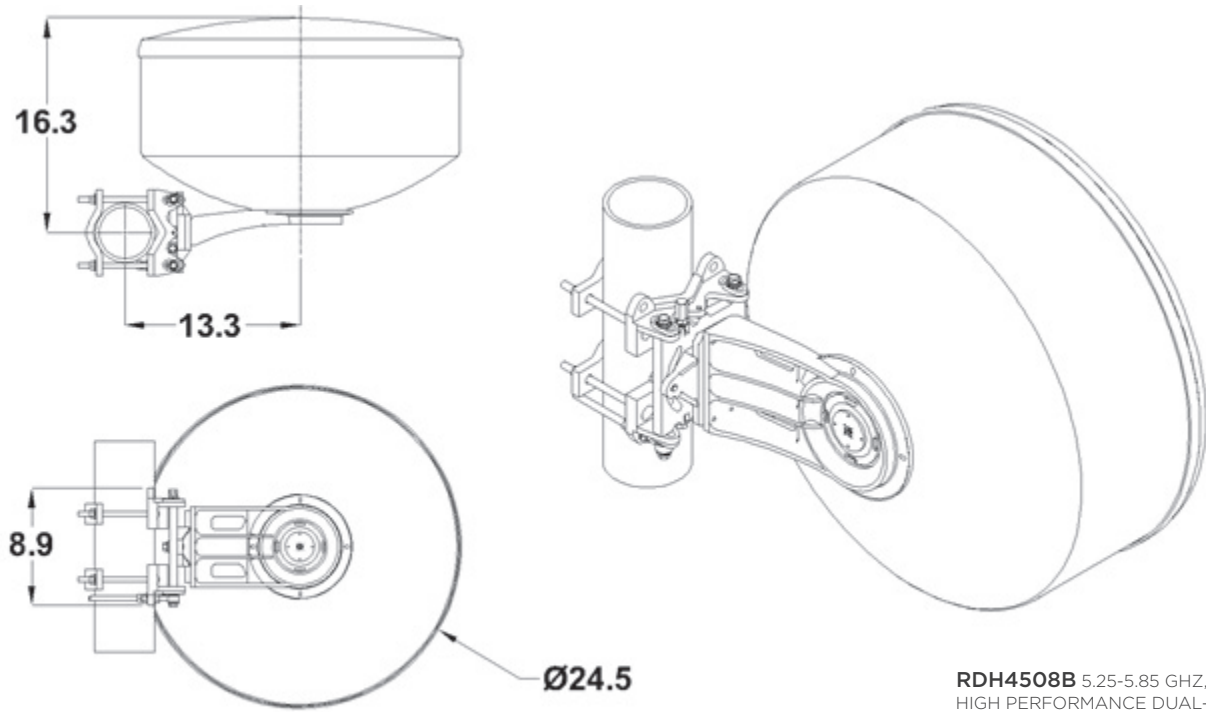
<b>MECHANICAL</b>	<b>2 FT (0.6 M)</b>	<b>3 FT (0.9 M)</b>	<b>4 FT (1.2 M)</b>
Model Number	RDH4508B	RDH4509B	RDH4510B
Description	5.25-5.85 GHZ, 2-FT (0.6M), HIGH PERFORMANCE DUAL-POL	5.25-5.85 GHZ, 3-FT (0.9M), HIGH PERFORMANCE DUAL-POL	5.25-5.85 GHZ, 4-FT (1.2M), HIGH PERFORMANCE DUAL-POL
Fine Azimuth Adjustment	+/- 10 degrees	+/- 10 degrees	+/- 10 degrees
Fine Elevation Adjustment	+/- 30 degrees	+/- 25 degrees	+/- 25 degrees
Mounting Pipe Diameter, Min	2 inch   5.08 cm	4.5 inch   11.4 cm	4.5 inch   11.4 cm
Mounting Pipe Diameter, Max	4.5 inch   11.4 cm	4.5 inch   11.4 cm	4.5 inch   11.4 cm
Net Weight	27 lbs   12.3 kg	50 lbs   12.3 kg	85 lbs   38.3 kg
Wind Velocity Operational	90 mph   145 km/h	90 mph   145 km/h	90 mph   145 km/h
Wind Velocity Survival Rating	125 mph   201 km/h	125 mph   201 km/h	125 mph   201 km/h
Axial Force (FA)	202 lbs   899 N	403 lbs   1972 N	737 lbs   3278 N
Side Force (FS)	100 lbs   445 N	200 lbs   890 N	365 lbs   1623 N
Twisting Moment (MT)	194 ft-lbs   263 Nm	344 ft-lbs   466 Nm	784 ft-lbs   1063 Nm
Operating Temperature Range	-40 to +60 C	-40 to +60 C	-40 to +60 C
Max Pressure, PSIG, (if waveguide interface)	5	5	5

## REGULATORY COMPLIANCE

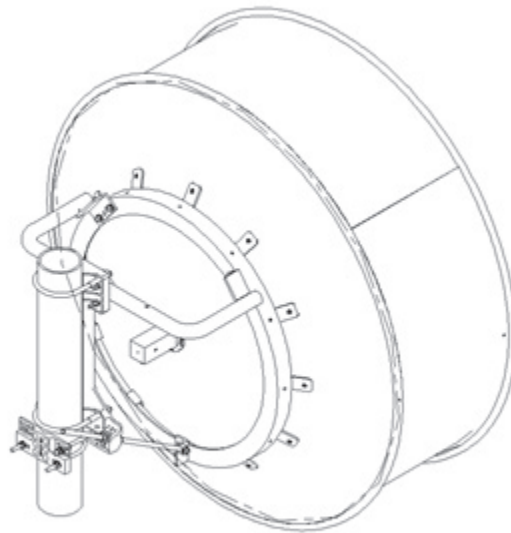
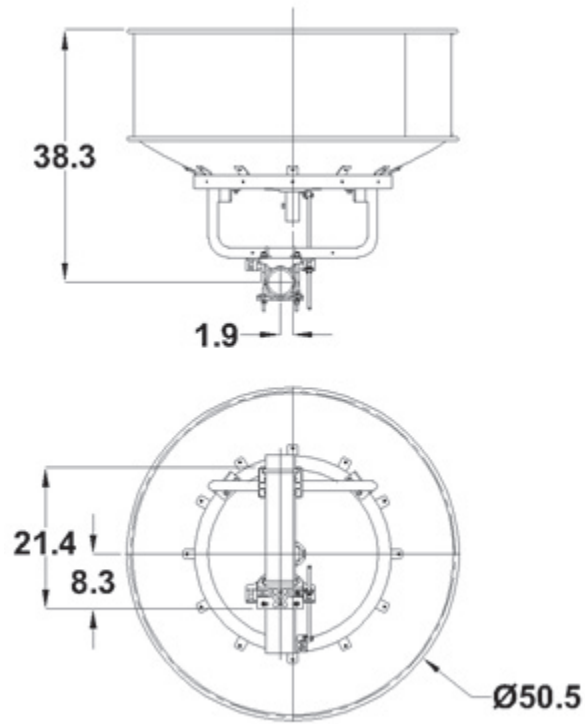
RoHS-compliant	Yes	Yes	Yes
----------------	-----	-----	-----

<b>SHIPPING INFORMATION</b>	<b>2 FT (0.6 M)</b>	<b>3 FT (0.9 M)</b>	<b>4 FT (1.2 M)</b>
Model Number	RDH4508B	RDH4509B	RDH4510B
Description	5.25-5.85 GHZ, 2-FT (0.6M), HIGH PERFORMANCE DUAL-POL	5.25-5.85 GHZ, 3-FT (0.9M), HIGH PERFORMANCE DUAL-POL	5.25-5.85 GHZ, 4-FT (1.2M), HIGH PERFORMANCE DUAL-POL
Package Type	Cardboard	Wood Crate	Wood Crate
Gross Weight	48 lbs   28.7 kg	143 lbs   69.8 kg	196 lbs   88.9 kg
Dimensions, L x W x H	31 x 31 x 25in   79 x 79 x 64 cm	47 x 28 x 48in   119 x 71 x 122 cm	59 x 35 x 60in   180 x 89 x 152 cm
Shipping Volume	13.9 cu ft   0.39 cu m	36.56 cu ft   1.04 cu m	71.7 cu ft   2.03 cu m

## TECHNICAL DRAWINGS



## TECHNICAL DRAWINGS



**RDH4510B** 5.25-5.85 GHz, 4-FT (1.2M),  
HIGH PERFORMANCE DUAL-POL