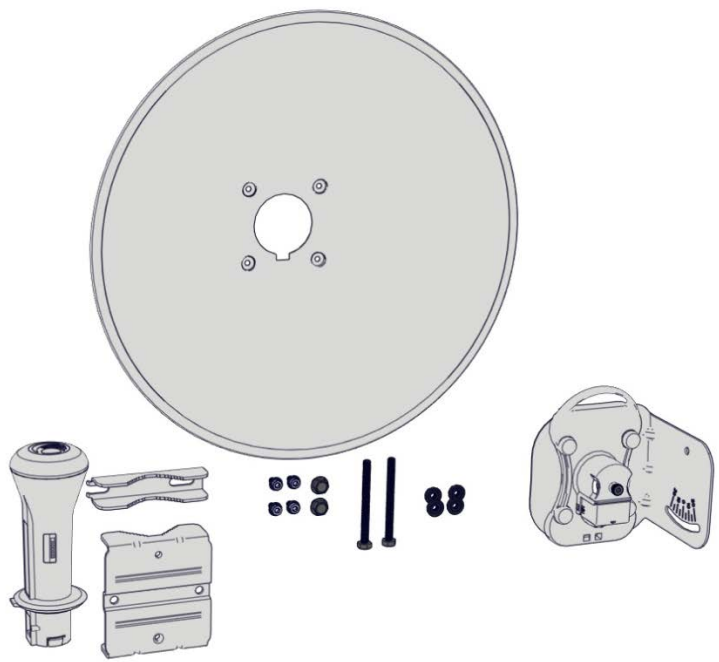


Force 200



Quick Start Guide



M6x12 Serrated
Flange Screws
(Qty. 4)



M8
Serrated
Hex Nuts
(Qty. 4)



M8x12
Serrated
Flange
Screws
(Qty. 2)



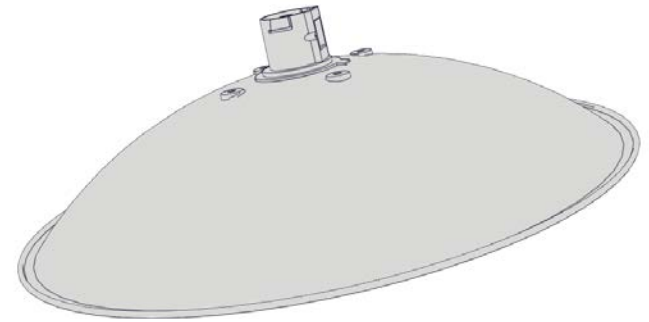
M8x90
Bolts
(Qty. 2)

1. Insert Center Feed tube through the Dish. Use keyway to align both parts.



Step 1

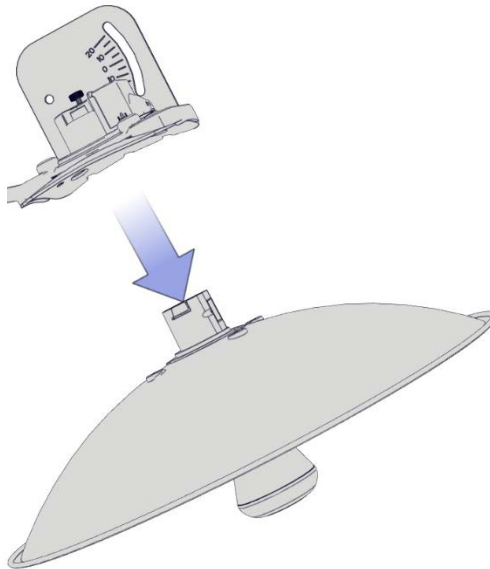
2. While holding the Center Feed tube, flip over the assembly to see the back side as shown.



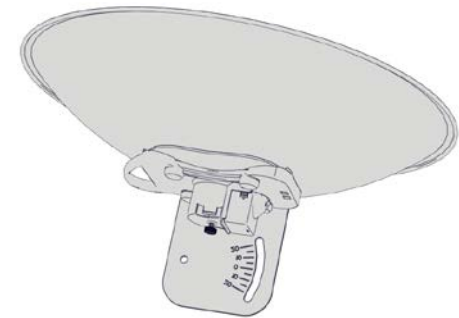
Step 2

3. While holding the Center Feed tube and dish, mount the Rear assembly. Preassembled to left hand pole mount. You will hear the two snaps engage.

NOTE: Make sure that the handle is up.

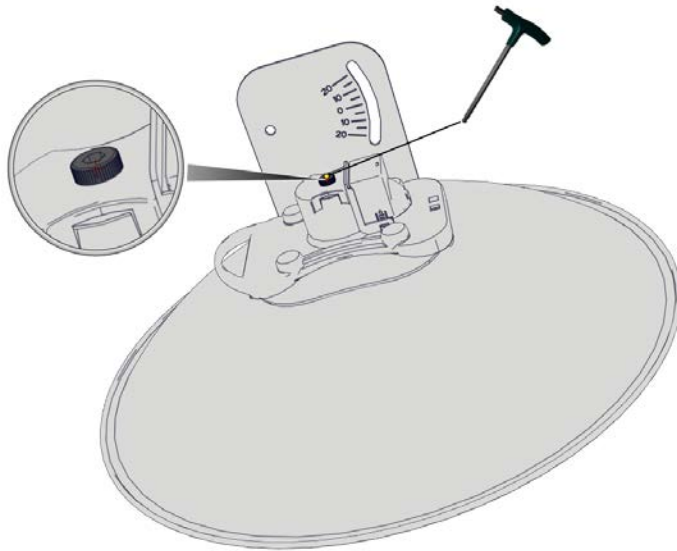


Step 3



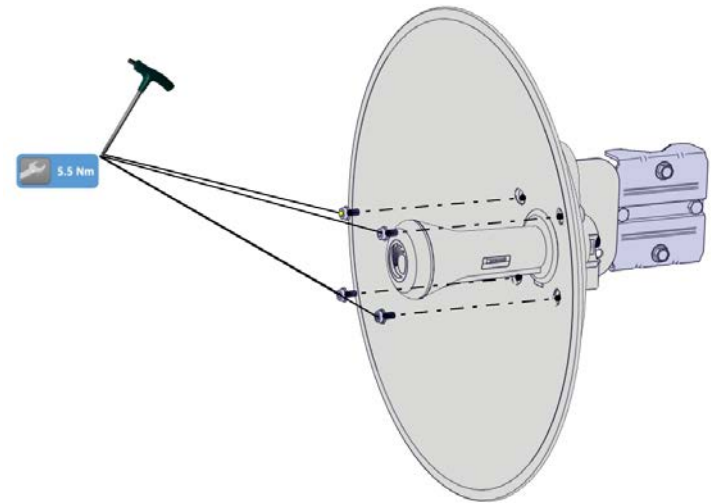
Step 4

5. Hand tight the safety screw for the Center Feed Tube. M5 Hex wrench.



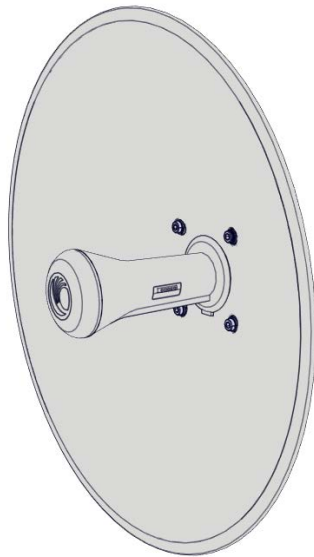
Step 5

6. Flip dish assembly around to install the M6 Screws with a M5 Hex driver. Torque to 5.5Nm

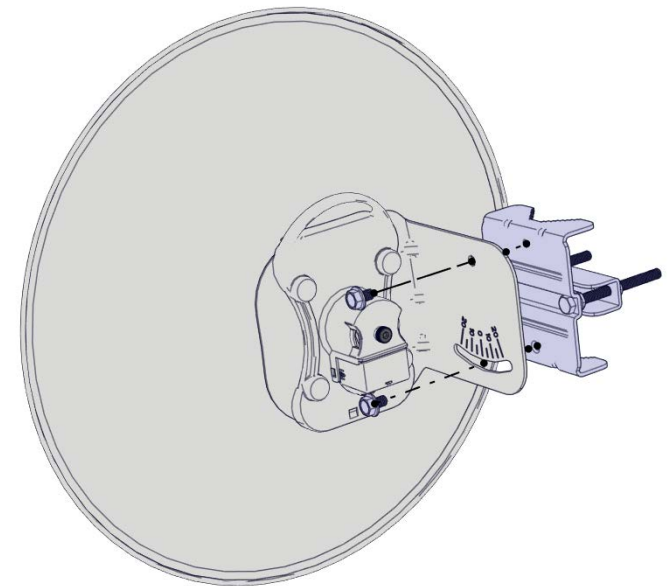


Step 6

8. Assemble the Pole mount bracket.



Step 7



Step 8

