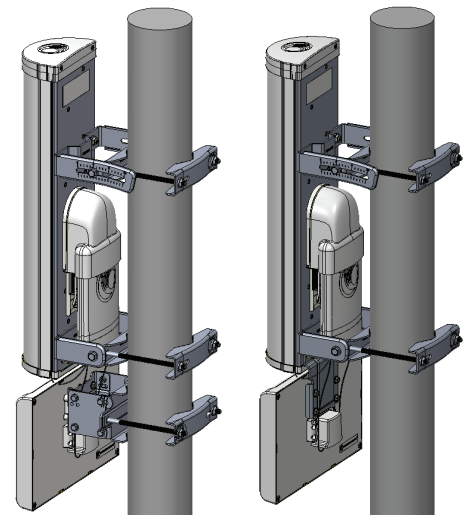


Quick Start Guide



**ePMP 2000
Smart Antenna**

Introduction

This sheet details assembly and installation of the ePMP 2000 Smart Antenna.

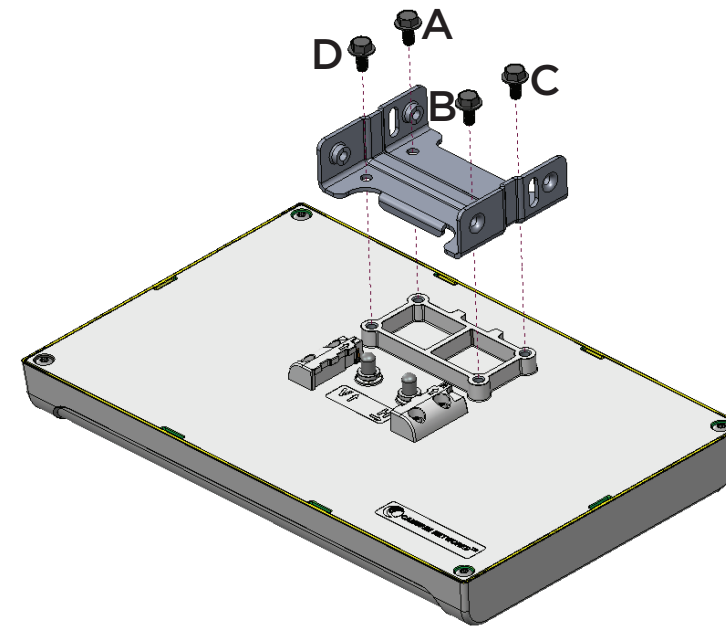
Package Contents

- ePMP 2000 Smart Antenna - x1
- Fixed clamp - x1
- M8 nuts - x2
- M6x12 screws - x12
- Antenna connectors - x2
- Rear mast clamp - x1
- M8x160 bolts - x2
- Environmental cover - x1
- Front mast clamp - x1
- Angular clamp - x1
- RP SMA cables - x2

Tools Required

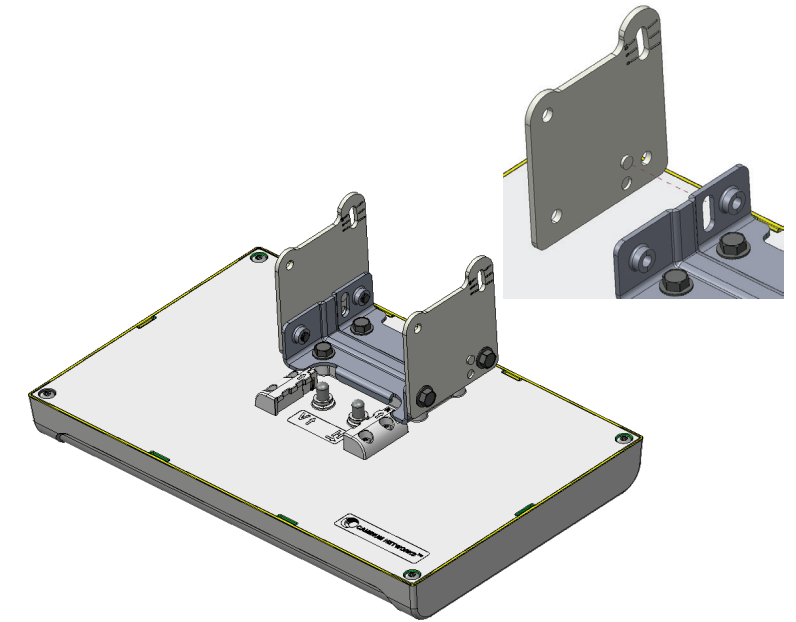
- 13mm (1/2") wrench
- 10mm (7/16") wrench
- 8mm (5/6") wrench

Step 1 (Pole Mount)



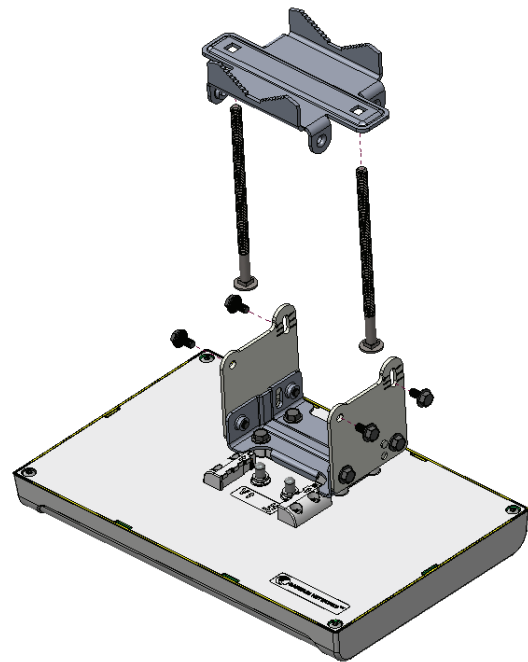
Assemble the angular clamp to the antenna using the M6x12 screws. Insert and tighten the screws in the order of A - B - C - D to a torque of 2.3 +/- 0.2Nm.

Step 2 (Pole Mount)



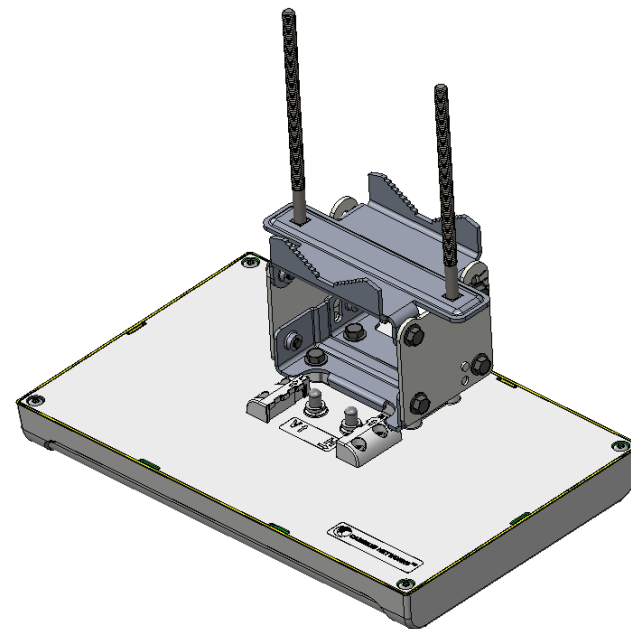
Assemble the antenna connectors to the antenna using the M6x12 screws, matching the pin on each connector to the matching slot on the angular clamp.

Step 3 (Pole Mount)



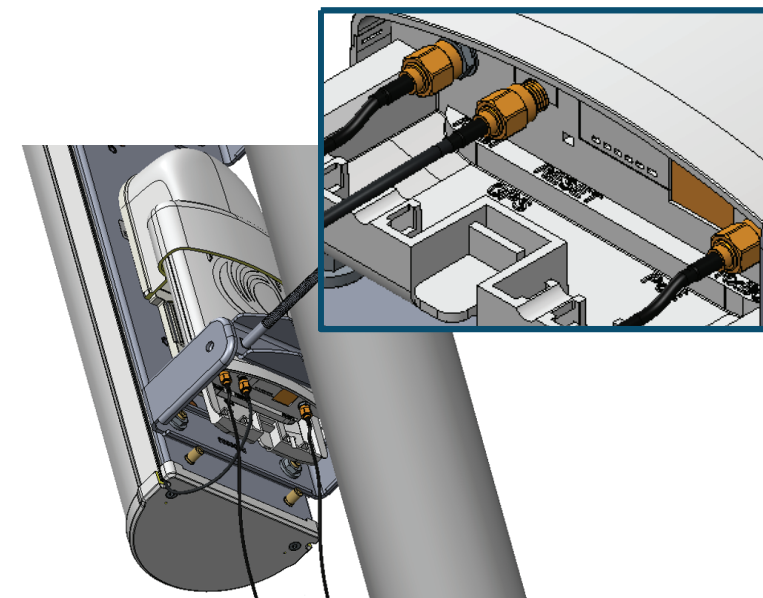
Insert the M8x160 bolts into the rear mast clamp, lowering it to the antenna connectors. Insert the M6x12 screws into the rear mast clamp through the connectors.

Step 4 (Pole Mount)



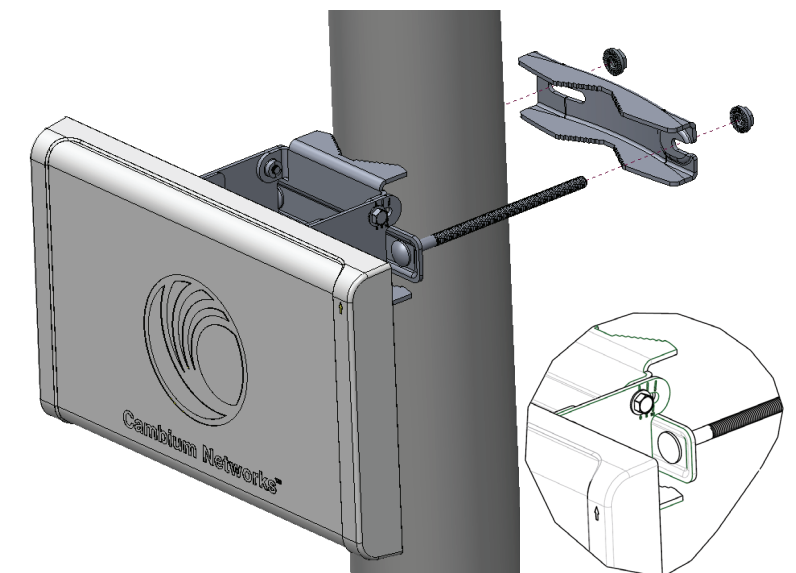
The assembly should appear as above.

Step 5 (Pole Mount)



Before mounting the smart antenna to the pole, assemble the cables to the ePMP 2000 access point as shown.

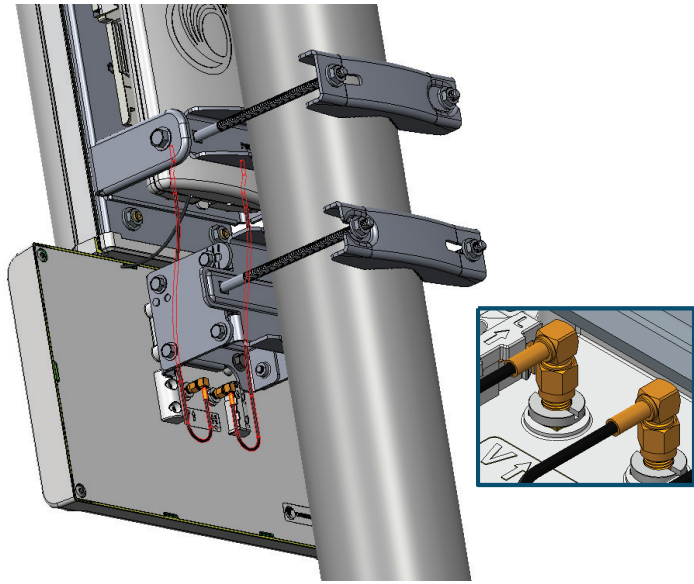
Step 6 (Pole Mount)



Assemble the rear mast clamp to the M8x160 bolts using the M8 nuts. Leave a 15mm gap between sector antenna and smart antenna.

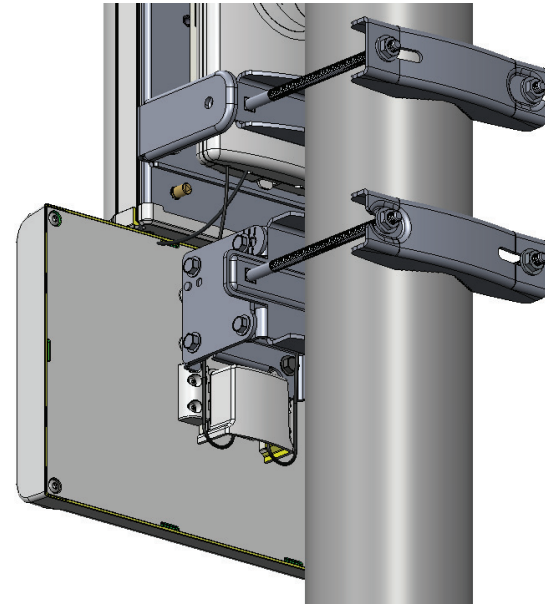
The angle can be adjusted up to 10°.

Step 7 (Pole Mount)



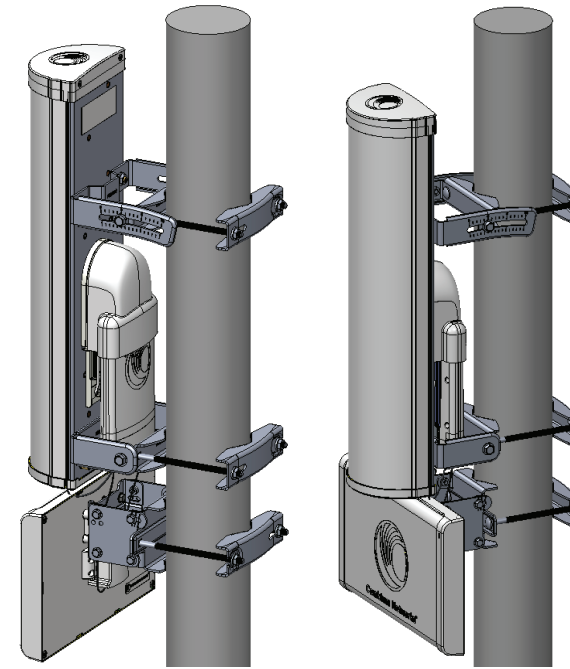
Connect the cables to the smart antenna as shown. Connect left to left and right to right; do not cross the cables.

Step 8 (Pole Mount)



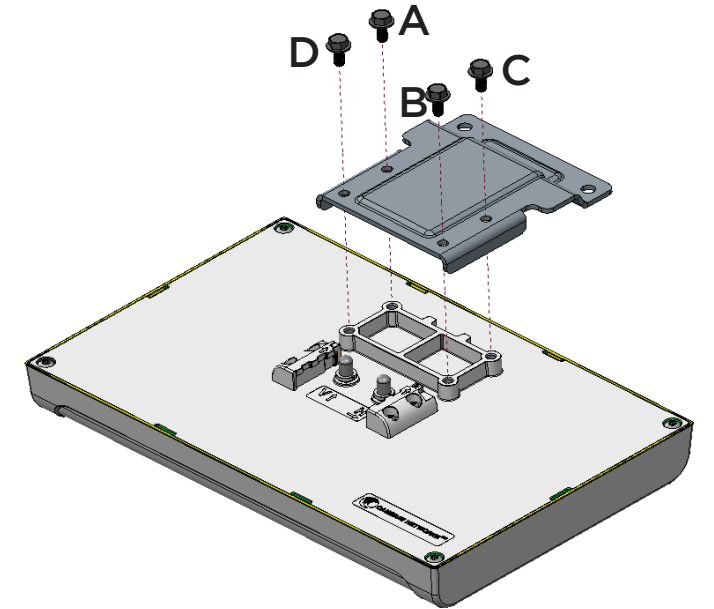
Slide the environmental cover down to lock it in position on the smart antenna.

Step 9 (Pole Mount)



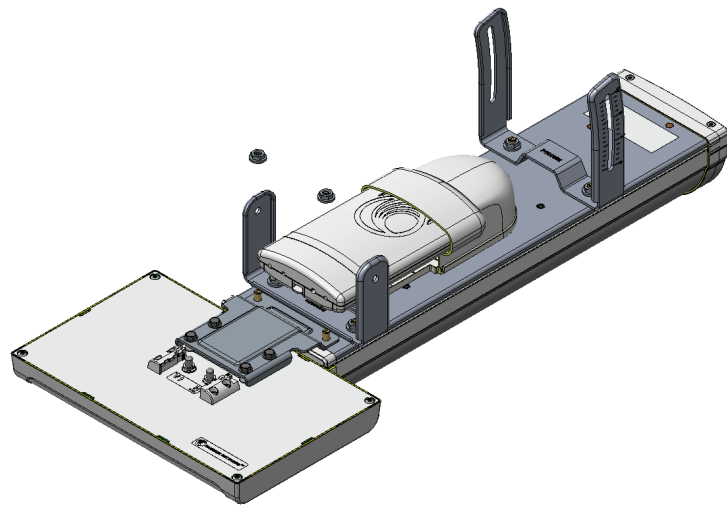
Assembly and installation is now complete.

Step 1 (Sector Mount)



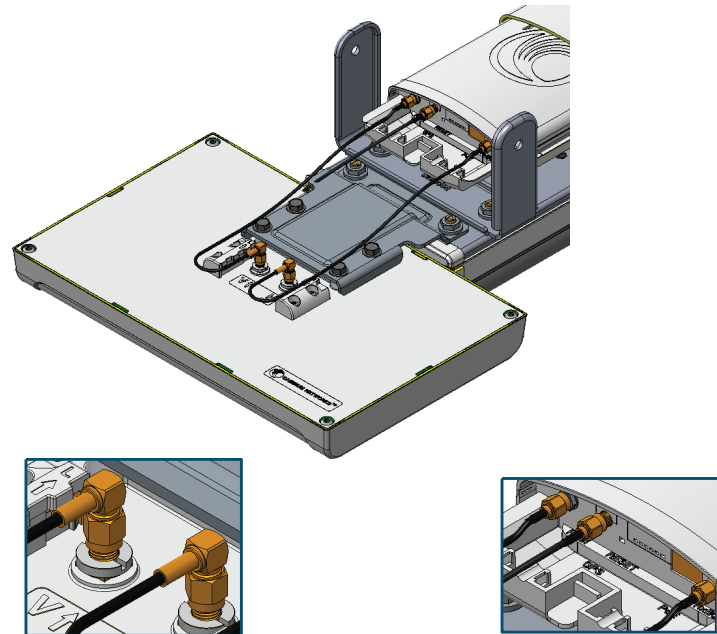
Assemble the antenna fixed clamp to the antenna using the M6x12 screws. Insert and tighten the screws in the order of A - B - C - D to a torque of 2.3 +/- 0.2Nm.

Step 2 (Sector Mount)



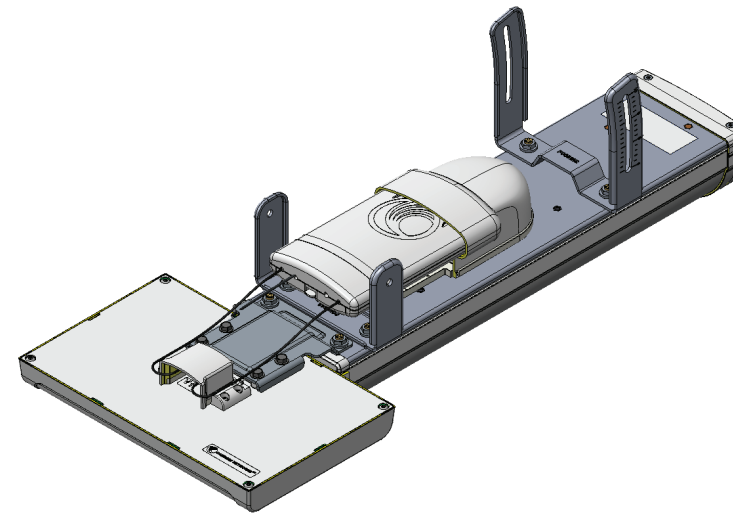
Assemble the fixed clamp to the ePMP 2000 sector antenna using the M8 nuts.

Step 3 (Sector Mount)



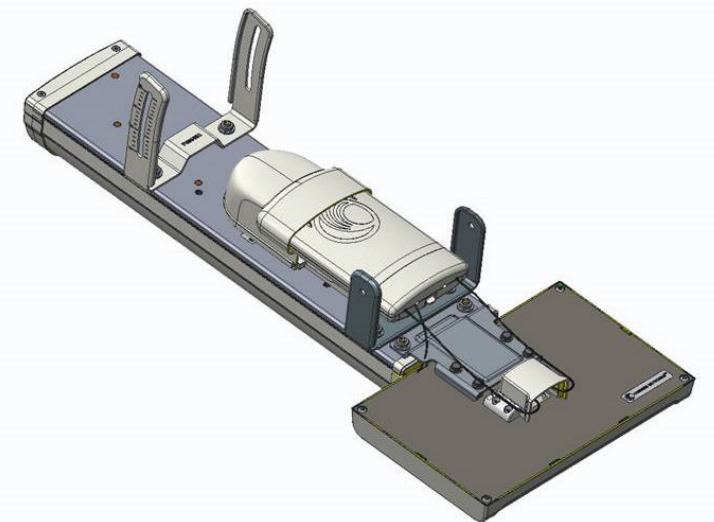
Connect the cables between the smart antenna and ePMP 2000 access point as shown. Connect left to left and right to right; do not cross.

Step 4 (Sector Mount)



Slide the environmental cover down to lock it in position on the smart antenna.

Step 5 (Sector Mount)



Assembly of the ePMP 2000 smart antenna to the ePMP 2000 sector antenna is now complete.

Refer to the ePMP 2000 sector antenna quick start guide for further assembly instructions.