



QUICK START GUIDE

450 SERIES RADIOS
pmp-2386



Accuracy

While reasonable efforts have been made to assure the accuracy of this document, Cambium Networks assumes no liability resulting from any inaccuracies or omissions in this document, or from use of the information obtained herein. Cambium Networks reserves the right to make changes to any products described herein to improve reliability, function, or design, and reserves the right to revise this document and to make changes from time to time in content hereof with no obligation to notify any person of revisions or changes. Cambium Networks does not assume any liability arising out of the application or use of any product, software, or circuit described herein; neither does it convey license under its patent rights or the rights of others. It is possible that this publication may contain references to, or information about Cambium Networks products (machines and programs), programming, or services that are not announced in your country. Such references or information must not be construed to mean that Cambium Networks intends to announce such Cambium Networks products, programming, or services in your country.

Copyrights

This document, Cambium Networks products, and 3rd Party software products described in this document may include or describe copyrighted Cambium Networks and other 3rd Party supplied computer programs stored in semiconductor memories or other media. Laws in the United States and other countries preserve for Cambium Networks, its licensors, and other 3rd Party supplied software certain exclusive rights for copyrighted material, including the exclusive right to copy, reproduce in any form, distribute and make derivative works of the copyrighted material. Accordingly, any copyrighted material of Cambium Networks, its licensors, or the 3rd Party software supplied material contained in the Cambium Networks products described in this document may not be copied, reproduced, reverse engineered, distributed, merged or modified in any manner without the express written permission of Cambium Networks. Furthermore, the purchase of Cambium Networks products shall not be deemed to grant either directly or by implication, estoppel, or otherwise, any license under the copyrights, patents or patent applications of Cambium Networks or other 3rd Party supplied software, except for the normal non-exclusive, royalty free license to use that arises by operation of law in the sale of a product.

Restrictions

Software and documentation are copyrighted materials. Making unauthorized copies is prohibited by law. No part of the software or documentation may be reproduced, transmitted, transcribed, stored in a retrieval system, or translated into any language or computer language, in any form or by any means, without prior written permission of Cambium Networks.

License Agreements

The software described in this document is the property of Cambium Networks and its licensors. It is furnished by express license agreement only and may be used only in accordance with the terms of such an agreement.

High Risk Materials

Cambium and its supplier(s) specifically disclaim any express or implied warranty of fitness for any high risk activities or uses of its products including, but not limited to, the operation of nuclear facilities, aircraft navigation or aircraft communication systems, air traffic control, life support, or weapons systems (“High Risk Use”). Any High Risk is unauthorized, is made at your own risk and you shall be responsible for any and all losses, damage or claims arising out of any High Risk Use.



www.cambiumnetworks.com

Cambium Networks and the stylized circular logo are trademarks of Cambium Networks, Ltd. All other trademarks are the property of their respective owners.

© Copyright 2019 Cambium Networks, Ltd. All rights reserved.

Contents

English (UK IE NO)	7
1. Introduction	7
2. Product Description	7
3. Installation & Operation	7
4. Product Safety information.....	8
5. Typical Installation	9
6. Hardware overview.....	10
7. Installing and Connecting the Equipment	14
8. Configuring a 450 series radio to meet national regulations.....	16
9. External Antennas.....	17
10. Other Accessories available from Cambium Networks	19
11. Operating in the EU.....	20
12. Cambium Networks.....	22
Czech (CZ)	23
1. Úvod.....	23
2. Popis produktu	23
3. Instalace a provoz	23
4. Bezpečnostní informace k produktu	24
5. Typické způsoby instalace.....	25
6. Přehled hardwaru	26
7. Montáž a připojení zařízení	30
8. Nastavení rádiových zařízení 450 podle národních předpisů.....	32
9. Externí antény.....	34
10. Další příslušenství dodávané společností Cambium Networks.....	35
11. Provoz v Evropské unii	36
12. Cambium Networks.....	38
French (FR)	39
1. Introduction	39
2. Description du produit	39
3. Installation et fonctionnement:.....	39
4. Informations de sécurité du produit.....	40
5. Installation typique	41
6. Aperçu des caractéristiques	42
7. Installation et connexion de l'équipement.....	46
8. Configuration d'une radio série 450 conformément aux réglementations nationales.....	48
9. Antennes externes	50

10.	Autres Accessoires disponible auprès de Cambium Networks.....	51
11.	Exploitation dans l'UE.....	52
12.	Cambium Networks.....	54
German (DE).....		55
1.	Einleitung.....	55
2.	Produktbeschreibung.....	55
3.	Installation & Betrieb.....	56
4.	Informationen zur Produktsicherheit.....	56
5.	Standardinstallation.....	57
6.	Hardware-Übersicht.....	59
7.	Installation und Verbindung der Geräte.....	63
8.	Konfiguration eines Funkmoduls der Serie 450 unter Berücksichtigung nationaler Vorschriften.....	65
9.	Externe Antennen.....	67
10.	Von Cambium Networks erhältlichiges Zubehör.....	69
11.	Betrieb in der EU.....	70
12.	Cambium Networks.....	71
Spanish (ES).....		73
1.	Introducción.....	73
2.	Descripción del producto.....	73
3.	Instalación y operación.....	73
4.	Información de seguridad del producto.....	74
5.	Instalación típica.....	75
6.	Vista de conjunto del hardware.....	76
7.	Instalación y conexión del equipo.....	80
8.	Configuración de una radio de la serie 450 conforme a la normativa nacional correspondiente.....	82
9.	Antenas externas.....	84
10.	Otros accesorios disponibles de Cambium Networks.....	85
11.	Operación en la UE.....	86
12.	Cambium Networks.....	89
Hungarian (HU).....		90
1.	Az útmutató bemutatása.....	90
2.	A termékek ismertetése.....	90
3.	Telepítés és üzemeltetés.....	90
4.	Termékbiztonsági információk.....	91
5.	Jellemző telepítési módok.....	92
6.	Hardver - áttekintés.....	93
7.	A berendezés felszerelése és csatlakoztatása.....	97
8.	450-es szériájú rádió konfigurálása az országos szabályokhoz.....	99
9.	Külső antennák.....	101

10.	A Cambium Networkstől beszerezhető egyéb tartozékok, kiegészítők.....	102
11.	EU-beli használhatóság.....	103
12.	Cambium Networks.....	105
Italian (IT).....		106
1.	Introduzione.....	106
2.	Descrizione del prodotto.....	106
3.	Installazione e funzionamento.....	106
4.	Informazioni sulla sicurezza del prodotto.....	107
5.	Installazione tipica.....	108
6.	Panoramica dell'hardware.....	109
7.	Installazione e collegamento dell'apparecchiatura.....	113
8.	Configurazione di un'apparecchiatura radio della serie 450 in modo che sia conforme alle normative nazionali.....	115
9.	Antenne esterne.....	117
10.	Altri accessori disponibili presso Cambium Networks.....	118
11.	Funzionamento nell'UE.....	119
12.	Cambium Networks.....	120
Polish (PL).....		122
1.	Wprowadzenie.....	122
2.	Opis produktu.....	122
3.	Instalacja i obsługa.....	123
4.	Bezpieczeństwo użytkowania.....	123
5.	Typowa instalacja.....	124
6.	Omówienie sprzętu.....	125
7.	Instalacja i podłączanie sprzętu.....	130
8.	Konfiguracja modułu radiowego serii 450 w celu spełnienia krajowych przepisów.....	132
9.	Zewnętrzne anteny.....	134
10.	Inne akcesoria oferowane przez Cambium Networks.....	135
11.	Możliwość funkcjonowania na obszarze UE.....	136
12.	Cambium Networks.....	138
Turkish (TR).....		140
1.	Giriş.....	140
2.	Ürün Açıklaması.....	140
3.	Kurulum ve Çalıştırma.....	140
4.	Ürün Güvenlik bilgileri.....	141
5.	Tipik Kurulum.....	142
6.	Donanıma genel bakış.....	143
7.	Ekipmanı Kurma ve Bağlama.....	147
8.	450 serisi cihazı ulusal düzenleme şartlarını yerine getirecek şekilde yapılandırma.....	149

9.	Harici Antenler	151
10.	Cambium Networks tarafından sağlanabilen Diğer Aksesuarlar	152
11.	AB'de Çalıştırma.....	153
12.	Cambium Networks	155

1. Introduction

Thank you for purchasing Cambium Networks 450 series platform equipment. This Quick Start Guide is provided to assist operators in acquiring a high-level understanding of the 450 series platform hardware, installation methods, initial login procedures, and safety/warranty information.

This Quick Start Guide applies to all 450 series platform products.

2. Product Description

The Cambium Networks 450 series of radio products supports data transmission over Point to MultiPoint (PMP) and Point to Point (PTP) microwave links. This radio equipment (referred to as 'outdoor units' or ODUs) is intended for professional applications for fixed outdoor installations only.

PMP (Point-to-Multipoint)

The PMP 450 series platform consists of an Access Point (AP) and multiple Subscriber Module (SM) Outdoor Units (ODUs). The radio link operates on a single frequency channel in each direction using Time Division Duplex (TDD).

The AP is available as a connectorized unit to be connected to an external antenna or as an integrated unit with a sector antenna.

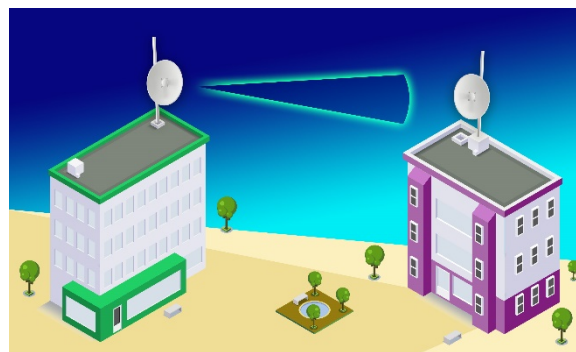
The SM is available as a connectorized unit to be connected to an external antenna or as an integrated unit with a directional antenna.

PTP (Point-to-Point)

The PTP 450 series platform consists of two BH (Backhaul) ODUs. In order to establish a radio link between two BH radios, the end user must configure one as a BHM (Backhaul Master) and the other as a BHS (Backhaul Slave).

The radio link operates on a single frequency channel using Time Division Duplex (TDD).

The PTP series platform is available as a connectorized unit to be connected to an external antenna or as an integrated unit with a directional antenna.



3. Installation & Operation

Installation and operation of this product is complex, and Cambium therefore recommends professional installation and management of the system to ensure that operation complies with the regulations of the region where the product is installed. Please follow the instructions in this Quick Start Guide. Further guidance on PMP and PTP installation and operation is available in the product user guide, see links at the end of this Quick Start Guide.

The installer must have sufficient skills, knowledge and experience to perform the installation task and is responsible for:

- Familiarity with current applicable national regulations including radio regulations, electrical installation regulations, surge protection regulations and 'working at heights' regulations
- Installation in accordance with Cambium Networks instructions
- Confirming that the equipment settings are compliant with national or regional regulations
- Familiarity with training material available on the Cambium Networks website (see link below)

Please observe the important instructions below during installation. This will set the equipment in compliance with national regulatory regulations and ensure legal operation.

- Ensure that the 450 series equipment is fitted with the latest application code. The software version must be Canopy 16.x.x or later in order to comply with national regulations. Software is available from the Cambium Support Centre web site, see link below.

4. Product Safety information

Observe the following safety rules:

- Ensure that the Outdoor Unit (ODU) and the structure on which it is mounted is capable of withstanding the maximum wind speeds at a proposed site.
- Ensure the equipment is not powered during installation. Always disconnect equipment from its power source before servicing.
- Harmful levels of RF radiation are present close to the antenna when the transmitter is on.
 - Observe the minimum safe distance limit for 450 products provided below.
 - Ensure that equipment is installed in a position avoiding any radiation hazard to humans.

Exercise extreme care when working at heights. Observe national 'working at heights' regulations. Use trained 'competent' staff.

Exercise extreme care when working near power lines.

Always use a qualified electrician to install cabling.

The Outdoor Unit (ODU) must be properly grounded.

Always use the specified Cambium 450 platform power supply units (PSU) to power the equipment. Failure to use the specified Cambium supplied PoE could result in equipment damage and may cause a safety hazard.

Do not deploy Cambium Networks power injectors in an outdoor environment

Structures, equipment and people must be protected against electrostatic discharge: -

by siting equipment in a lightning protection zone

by installation of appropriate lightning conductors to conduct the surge current to ground via a separate preferential solid path.

ground bonding and transient voltage surge suppression is recommended. Use Cambium specified surge suppressors.

The ODU enclosure may be hot to the touch when in operation.

Use outdoor rated cables for connections that will be exposed to the outdoor environment. Install Cambium recommended cables.

5. Typical Installation

In the simplest configuration (Figure 1), the data path from the network equipment (Ethernet interface), is routed via a Power over Ethernet (PoE) injector (labelled 'PSU' in the figure) then via a copper cable to the ODU (PSU port). Surge protection units should also be deployed as shown. A typical mast or tower installation and wall installations is shown below (Figure 2, 3 & 4). Consult the user guide for detail of more configurations.

Always site the radio equipment in a lightning protection zone:-

The equipment must be lower than the top of the tower or building or its lightning air terminal

The tower or building must be correctly grounded

Figure 1 Basic configuration

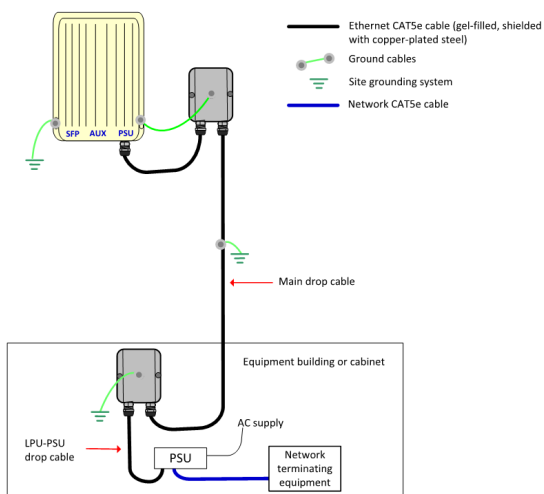


Figure 2 Mast or tower installation

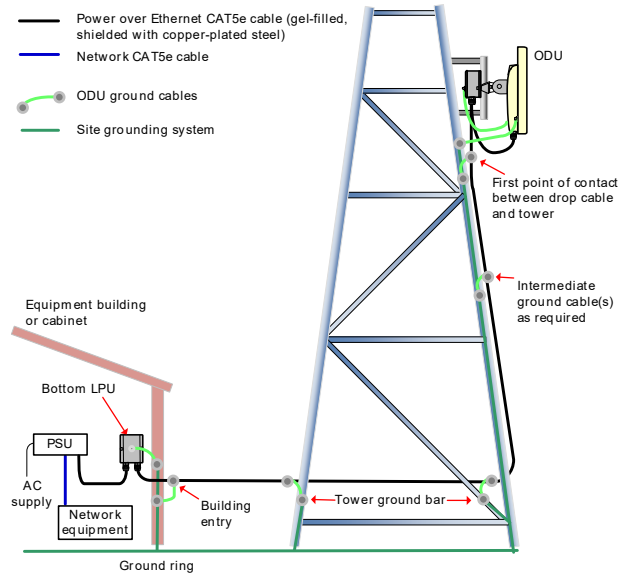


Figure 3 Wall installation (450i)

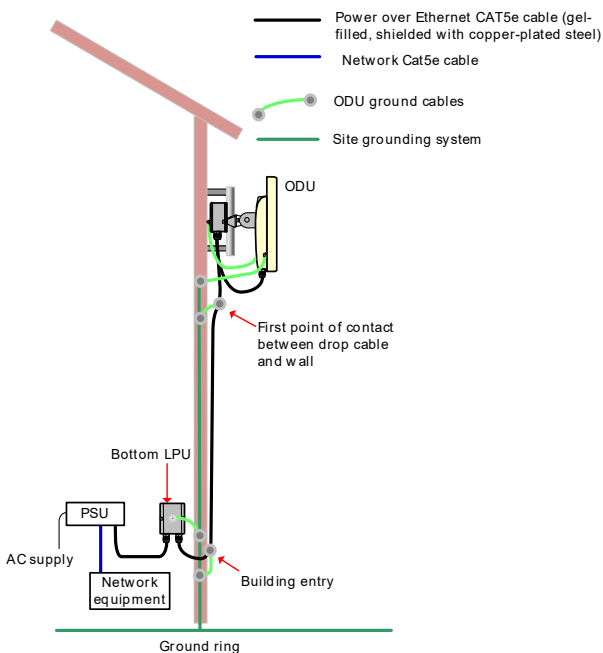
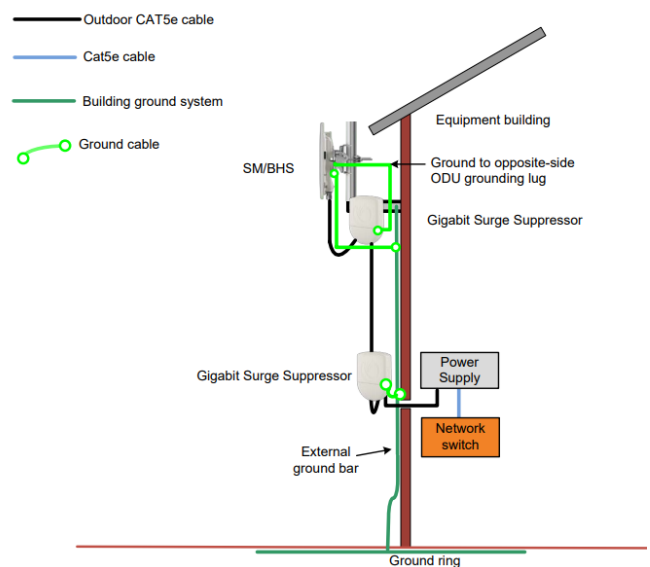


Figure 4 Wall installation (450 SM)



6. Hardware overview

PMP/PTP 450i interfaces

The Ethernet and Sync/AUX ports are located on the rear of the integrated and connectorized ODUs. The connectorized ODU is shown here.

View of interface connections



The front of the connectorized ODU



(N type female connectors for RF cable interfaces to antenna with ports A and B)

Port name	Connector	Interface	Description
Main PSU	RJ45	PoE input	Power over Ethernet (PoE)
		10/100/1000BASE-T Ethernet	Data
Sync/AUX	RJ45	10/100/1000BASE-T Ethernet	Data
		PoE output	Standard IEEE802.3at PoE
		Sync input/output	Connection and powering of UGPS Sync input

PMP/PTP 450b interfaces

The Mid-Gain is unit shown here. The interfaces are the same for the high-gain unit.



Port name	Connector	Interface	Description
PSU/Ethernet Port	RJ45	PoE input	Power over Ethernet (PoE)
		10/100/1000BASE-T Ethernet	Data
Audio AUX Port	Standard 3.5 mm headphones	Alignment tone input	3.5 mm audio jack for alignment tone

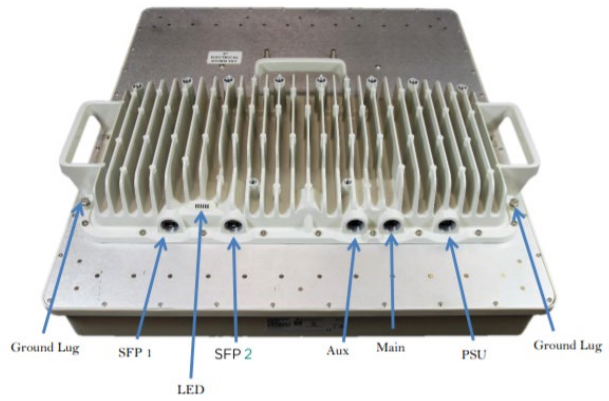
PMP 450m AP interfaces

5 GHz PMP 450m

3 GHz PMP 450m



Ground Lug LED SFP Aux PSU (Main) Ground Lug



Ground Lug SFP 1 LED SFP 2 Aux Main PSU Ground Lug

5 GHz PMP 450m AP interface definition

Port name	Connector	Interface function	Description
PSU (Main)	RJ45	PoE input	Power over Ethernet (PoE)
		10/100/1000 BaseT Ethernet	Data
Aux	RJ45	10/100 BaseT Ethernet	Data
		PoE output	Standard IEEE802.3at PoE
		Sync input/output	Connection and powering of UGPS Sync input
SFP	SFP	2.5 Gbps Copper Ethernet and 1 Gbps Copper	Data and Management Services. Plug-in SFP module is purchased separately
		Ground Lugs	10 AWG copper wire

3 GHz PMP 450m AP interface definition

Port name	Connector	Interface function	Description
PSU	4-pin	DC power input	40 V - 60 V plus Cambium Sync-over-power
Main	RJ45	Ethernet	10/100/1000Base-T Ethernet, plus Cambium Sync-over-data
Aux	RJ45	Ethernet	10/100Base-T Ethernet with PoE out
		Synchronization	UGPS synchronization port
		Alignment	Audio tones
SFP 1	SFP	Ethernet	SFP module
SFP 2	SFP	Ethernet	SFP module (single or dual)
Ground Lugs		10 AWG copper wire	For grounding the unit

Power supplies

Power is supplied to the ODU by a PoE injector, except for 3 GHz PMP 450m where power and data are supplied separately. All power injectors / power supplies in the Cambium Networks range are designed for an indoor environment. The following table summarizes the Cambium Networks power supply variants available for each 450 radio model.

Model	30 VDC	56 VDC	802.3af	802.3at	N000900L001B/C Gigabit (15W)	N000900L002A 100 Base T (15W) - obsolete	N000000L034A (AC) – 30W, 56VDC	N000065L001C (AC) – 60W	C000065L002C (AC+DC) – 100W	N000000L054B (AC) 54V 240W
PMP 450 AP	X	-	-	-	X	X*	-	-	-	-
PMP 450 SM	X	-	-	-	X*	X*	-	-	-	-
PTP 450	X	-	-	-	X*	X*	-	-	-	-
PMP / PTP 450b	X	-	-	-	X	X*	-	-	-	-
PMP 450i AP	-	X	-	X	-	-	X	X	X	-
PMP 450i SM	-	X	-	X	-	-	X	X	X	-
PTP 450i	-	X	-	X	-	-	X	X	X	-
5 GHz PMP 450m	-	X	-	-	-	-	-	-	X	-
3 GHz PMP 450m	-	-	-	-	-	-	-	-	-	X

*100 Base T-mode only (no Gigabit)

The AC line cord is supplied separately from the power supply. Regional variants are available.

The power supply variants are displayed below:-

Power Injector type

PMP / PTP 450 / 450b power supply
 AC Input: 90-264 VAC, 0.5A rms
 DC Output: 30.0 Vdc +/-5%, 15W, 500 mA max
 RJ 45 Sockets: Two (Data In and Data & Power Out)

Power Injector views



AC power injector (for 450i)
 AC power in: AC power input (main supply)
 ODU port: RJ45 socket for connecting Cat5e cable to ODU
 LAN port: RJ45 socket for connecting Cat5e cable to network equipment



AC+DC Enhanced Power injector

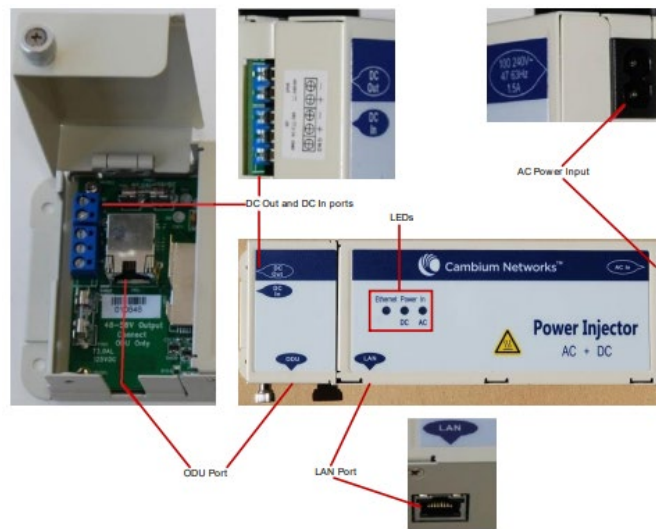
AC power input: 100-240V 47-63Hz
1.5A

DC In: Alternative DC power supply input

ODU: RJ45 socket for connecting Cat5e cable to ODU

LAN: RJ45 socket for connecting Cat5e cable to network

DC Out: DC power output to a second PSU (for power supply redundancy) or to a NIDU



Warning

The PMP 450 Ruggedized High Gain Integrated Subscriber Module (Cambium part numbers C035045C014A and C036045C014A), while encapsulated in a 450i-type enclosure, contains 450 circuitry which must be powered via 30VDC. Powering these SMs with a 56 VDC will damage the device.

Surge protection units

The following table lists suitable surge suppressors for each 450 series radio model.

Model	30 VDC	56 VDC	C00000L065A Gigabit Ethernet Surge Suppressor	600SSH (100 BASE T)	C00000L033A Gigabit Ethernet Surge Suppressor	C000065L007B Lightning Protection Unit kit	C00000L114A DC Lightning Protection Unit kit
PMP 450 AP	X	-	X	X	-	-	-
PMP 450 SM	X	-	X	X	-	-	-
PTP 450	X	-	X	X	-	-	-
PMP 450b	X	-	X	X	-	-	-
PMP 450i AP	-	X	-	-	X	X	-
PMP 450i SM	-	X	-	-	X	X	-
PTP 450i	-	X	-	-	X	X	-
5 GHz PMP 450m AP	-	X	-	-	-	X	-
3 GHz PMP 450m AP	-	-	-	-	-	-	X

Cambium Networks does NOT recommend deploying Gas Discharge Tube-based surge protection on PMP 450i or PMP 450b platforms.

Other accessories

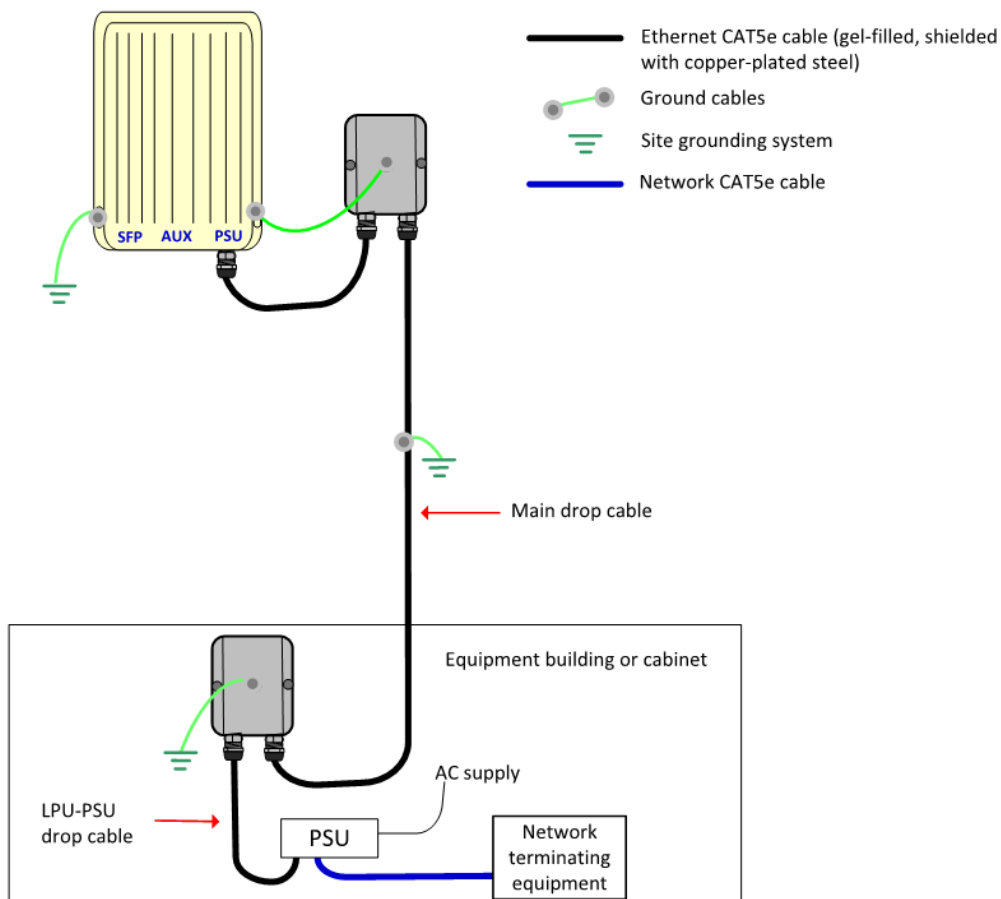
Cambium Networks offers a wide range of additional accessories such as power cords, drop cables, grounding cables etc. Please refer to the user guide or ordering guide for further details.

7. Installing and Connecting the Equipment

Review national regulations and ensure that all appropriate regulatory licenses are obtained prior to deployment. Before installation, the location of the ODUs needs to be carefully planned to ensure good radio coverage and to minimise interference. Use radio planning tools such as LINKPlanner to optimise link performance. Installation and commissioning of equipment should be carried out by trained personnel.

Basic installation of ODUs

1. Pre-configure the ODU as described in the next section (section 8)
2. Install the ODUs in the powered-down state
3. Locate the ODUs so that the link is unobstructed by the radio horizon and no objects penetrate the Fresnel zone.
4. For APs, use a local map, compass, and/or GPS device to determine the pointing direction as per the sector arrangement. Apply the appropriate degree of downward tilt.
5. Attach the cables to the ODU as per the diagram below
 - a. Connect an Ethernet cable from the 'Data' or 'LAN' port of the PoE power supply to the Ethernet port of a suitable laptop
 - b. Connect the drop cable from ODU to the 'Data + Power' or 'ODU' port of the power supply
 - c. Fit the surge suppressors as shown and connect grounding cables as required
 - d. Connect the power supply to a power source
 - e. Waterproof the external connections



Installing a 450 series Subscriber Module - SM

Additional steps are required to ensure that the SM is aligned correctly.

- A coarse alignment procedure must be executed using the alignment tool or alignment tone.
- Verification of the AP to SM link by reviewing power level, link tests, and reviewing registration and session counts.

Refer to the user-guide for more detail.

Installing 450 series PTP links

The process for installing a 'Backhaul Master' (BHM) is similar to that described for an Access Point. When installing the 'Backhaul Slave' (BHS), a coarse alignment procedure must be executed using the alignment tool or alignment tone. Refer to the user-guide for more detail.

Consult the 450 series user-guide or training material for further detail of mounting arrangements, cabling and alignment. The guides are available at the Cambium Networks Web-site, see links at the end of this document.

8. Configuring a 450 series radio to meet national regulations

Cambium recommends that units are pre-configured 'on the bench' before being deployed.

Connect the 450 series unit to the PoE power supply and a suitable PC.

- Connect an Ethernet cable from the PC to the 'data' port on the PoE supply
- Connect another Ethernet cable from the PoE supply 'data and power' port to the 450 radio
- Plug the PoE supply power cord into a power outlet and switch on
- Check that the power LED on the PoE supply illuminates

On the 450 series radio -

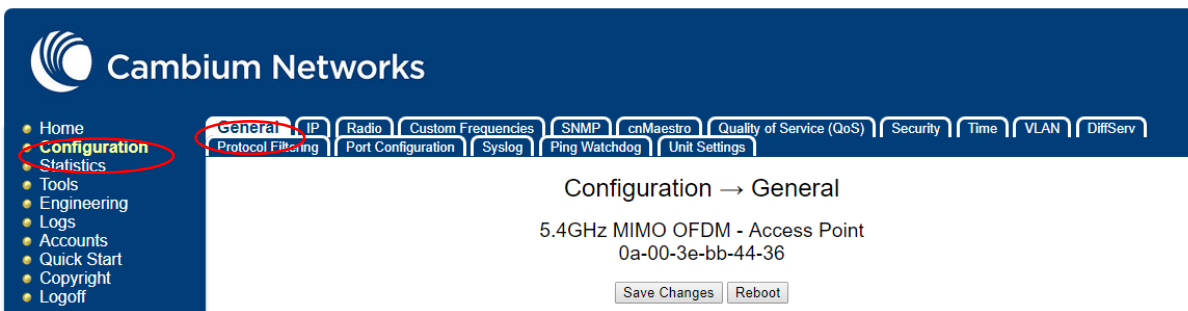
- Check that the orange Ethernet LED starts with 10 slow flashes.
- Check that the Ethernet LED then illuminates continuously.

On the PC, configure the Ethernet port for a static IP address using the 169.254.X.X range, avoiding 169.254.0.0 and 169.254.1.1. A good example is 169.254.1.3. Enter a subnet mask of 255.255.0.0. Leave the default gateway blank.

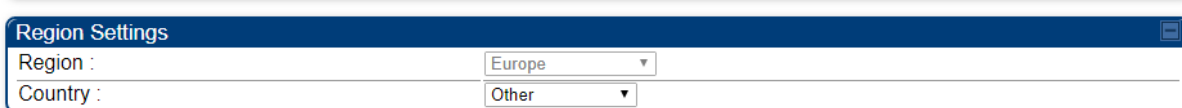
- Using a web browser, navigate to factory default web address 169.254.1.1 and log-in.
- Enter Username (factory default username is admin) and Password (factory default password is admin) and click Login.

The 450 web interface menu and System Summary page are displayed.

On the menu of left hand side of web page, select 'Configuration' as shown:



Click on the 'General' tab and scroll down to the 'Region Settings' window:



Check that the 'region' code matches the region where the unit is to be deployed. If it is not, select the correct region, otherwise do not proceed further.

Click in the 'Country' box, and from the drop down list select the country where the unit will be deployed or if not listed select 'Other'.

Press the 'Save Changes' button and then 'Reboot'.

When rebooted, log-in again.

Go to the 'Radio' tab. From the 'Radio Configuration' menu, select the required frequency band and then press the 'Save Changes' button and 'Reboot'. Once rebooted, log back in and enter the 'Radio Configuration' menu again to select an appropriate carrier and bandwidth. 'Alternate' carriers may need to be selected for 5.4GHz and 5.7Ghz bands for the EU versions of the radio.

Radio Configuration	
Frequency Band :	5.4 GHz ▾
Frequency Carrier :	5495.0 ▾ LBT Frequency Selected
Alternate Frequency Carrier 1 :	5510.0 ▾
Alternate Frequency Carrier 2 :	5520.0 ▾
Channel Bandwidth :	10 MHz ▾
Frame Period :	<input type="radio"/> 5.0 ms <input checked="" type="radio"/> 2.5 ms
Cyclic Prefix :	One Sixteenth

Press the 'Save Changes' button and then 'Reboot'.

After reboot, navigate back to the 'Power Control' menu via the 'Radio tab'. Check that the EIRP is set to the correct value for the country in which the radio is deployed. Do not proceed further unless the EIRP is set within the national regulations. If you are configuring a connectorized unit, follow the instructions in the "5 GHz 450i series connectorized units - additional steps" section.

Further set-up steps

Now set up other 450 unit parameters. By selecting and following the 'Quick Start' menu, you will be able to set the minimal configuration required for operation.

Connectorised units – additional steps

In order to configure a connectorised radio to operate with the external antenna, the antenna gain must be entered into the 'Radio' GUI. From the 450 web page, select 'Configuration' in the left hand menu and then the 'Radio' tab.

Then go to the 'Power Control' window and enter the gain of the external antenna in dBi in the second box down. The radio will automatically set the transmit power appropriately (although a re-boot of the radio may be required).

Power Control	
Transmit Power :	11 dBm (Range: -30 — +20 dBm) (8 dBm V / 8 dBm H)
External Gain :	16 dBi (Range: 0 — +40 dBi)
SM Receive Target Level :	-52 dBm (Range: -77 — -37 dBm) combined power
Adjacent Channel Support :	<input type="radio"/> Enabled <input checked="" type="radio"/> Disabled

Check that the figure displayed in the 'transmit power' box when added to the 'external gain' does not exceed the permitted radiated power (EIRP) according to national regulations.

Note that the 450 web interface GUI is restricted so that excessive antenna gains cannot be entered.

9. External Antennas

Recommended External Antennas

Cambium Networks recommends the following antennas for use with PMP 450/450i AP connectorized units:

- Cambium part number 85009324001 - 5 GHz Antenna for 90 Degree Sector, 17dBi gain
- Cambium part number C030045D901A - 3.3-3.8 GHz Dual Slant Antenna for 90 Degree Sector.

For 5 GHz connectorized PTP 450i applications, Cambium Networks recommends the following dish antennas.

Cambium part number	Description
RDH4503B	5.25-5.85GHz 2-ft (0.6m), 29.0 dBi, Dual-polarization, H-Pol & V-Pol, with fine adjustments
RDH4504B	5.25-5.85GHz 3-ft (0.9m), 32.5 dBi, Dual-polarization, H-Pol & V-Pol
RDH4505B	5.25-5.85GHz 4-ft (1.2m), 34.9 dBi, Dual-polarization, H-Pol & V-Pol
RDH4506B	5.25-5.85GHz 6-ft (1.8m), 37.9 dBi, Dual-polarization, H-Pol & V-Pol
RDH4508B	5.25-5.85GHz 2-ft (0.6m), 28.8 dBi, High Performance Dual-polarization
RDH4509B	5.25-5.85GHz 3-ft (0.9m), 32.3 dBi, High Performance Dual-polarization
RDH4510B	5.25-5.85GHz 4-ft (1.2m), 34.7 dBi, High Performance Dual-polarization
RDH4511B	5.25-5.85GHz 6-ft (1.8m), 37.7 dBi, High Performance Dual-polarization

Alternative Antennas for Connectorised units

5 GHz 450 series connectorised units are designed to connect to a dual polar antenna, using vertical and horizontal (VH) polarisation.

It is recommended that for 3 GHz 450 series connectorised units, an external dual polar antenna with dual slant polarisation is used.

The 450i / 450 series connectorized radios have been tested for EU regulatory compliance using the antenna types listed below. The maximum gain of each antenna type is shown. Antennas of equivalent gain or lower and of the same antenna type may be used. For the EU, do not use an antenna with higher gain. To reduce potential radio interference to other users, the antenna type and its gain must be so chosen that the equivalent isotropic radiated power (EIRP) is not more than that necessary for successful communication.

Antenna Type	Manufacturer's Antenna Gain (dBi)			
	4.9 GHz Band	5.1 GHz Band	5.4 GHz Band	5.8 GHz Band
6' Parabolic Dish	37.2	37	-	38.1
4' Parabolic Dish	-	-	34.9	-
Flat Plate	28	28.5	28.5	28.5
Sectorised	17	17	17	17
OMNI	13	13	13	13

10. Other Accessories available from Cambium Networks

GPS Synchronization

Cambium offers a Global Positioning System (GPS) synchronization capability to limit the network's own self-interference. The 450 series Access Points (APs) or Backhaul Masters will accept a GPS timing input from a 'cnPulse' Sync Generator or a 'Universal GPS module'. These units can provide timing for up to two radios. For situations where more than two radios are co-located, a Cluster Management CMM can be employed to distribute synchronization to several radios.

cnPulse and Universal GPS (UGPS)

The cnPulse or UGPS unit provides network synchronization for smaller networks where a CMM may not be cost effective. These synchronisation units work with all Cambium 450 series radios. They have a small footprint and are easy to deploy.



Cluster Management Module (CMM)

The CMM provides distribution of Global Positioning System (GPS) synchronization to the AP and all associated Subscriber Modules (SMs). The CMM distributes power, GPS timing and networking connections for an AP cluster. The CMM can be equipped with an internal switch or purchased without a switch so that the network operator can install the switch of their choice. One CMM can communicate with a variety of different AP ODU's located on the same tower, as well as a Point-to-Point (PTP) ODU, thus providing connectivity for an entire site. The CMM can connect as many as eight collocated Radios and an Ethernet feed. An external GPS unit is required to provide timing to the CMM.

CMM5

The CMM5 (Cluster Management Module) is the latest generation of solutions for the distribution of TDD Sync signals and Power-over-Ethernet (PoE) in the field. The CMM5 is a modular design with individual 4-port power injectors and an optional controller used for remote management.

Key features of the CMM5 include:

- Support for Gigabit Ethernet (1000BaseT)
- Modular and scalable from 4 ports to 32 ports
- Direct +/- 48VDC input (optional AC/DC power supplies are available from Cambium Networks)
- Uses Cambium Networks UGPS for a synchronization source
- Dual resilient power inputs



11. Operating in the EU

Frequency Bands, Maximum Operating Power, Safe distance

5 GHz units

In the EU, the 5 GHz PMP 450 series products operate in the following frequency bands up to the maximum power shown:

Operating Frequency Band	EU Standard	Maximum Power Limit (EIRP)	Permitted usage	5 GHz units that support this frequency band
5470 – 5725 MHz	EN 301 893	1 Watt / 30 dBm	Available for general usage within all EU nations	All 450 series
5725 – 5875 MHz	EN 302 502	4 Watts / 36 dBm	Permitted in some EU nations, see notes 1 - 2	All 450 series

Note 1: Operation in the 5.8 GHz band is not permitted in the following European countries: AT, BG, CZ, CY, FR, HR, IT, LU, LV, NL, PL, TR. In other countries, government licenses may be required to allow operation, please check your national government website.

Note 2: The radio applies appropriate national frequency allocations, power and DFS settings for each country code

For 5GHz 450 products deployed in the EU, the minimum safe distance between the equipment and humans is 25cm.

Note: if a connectorized unit is used with a high-gain antenna, the installer must calculate the minimum safe distance as a function of the antenna gain

3 GHz units

In the EU, the 3 GHz PMP 450 series products operate in the following frequency bands up to the maximum power shown:

Operating Frequency Band	EU Standard	Maximum Power Limit (EIRP)	Permitted usage	3 GHz units that support this frequency band
3410 – 3800 MHz	EN 302 326-1 EN 302 326-2	501 W/ 57 dBm	This is a licensed band within the EU. See Note 1	See Note 2

Note 1: Obtain a license from your national licensing authority before deployment. The license should specify the permitted frequency, bandwidth and the maximum power to be used. Set up equipment accordingly.

Note 2: For European countries, frequency of operation for the 3 GHz PMP 450i and 3 GHz PMP 450m variants is 3410 MHz to 3800 MHz; for the 3.5 GHz PMP 450 SM it is 3410 MHz to 3600 MHz; for the 3.65 GHz PMP 450 SM is 3550 MHz to 3800 MHz.

For 450m products deployed in the EU, the minimum safe distance between the equipment and humans is 2.3 meters.

For all other products in the 450 family deployed in the EU, the minimum safe distance between the equipment and humans is 50 cm.

Note: if a connectorized unit is used with a high-gain antenna, the installer must calculate the minimum safe distance as a function of the antenna gain

EU Operation – Restrictions & requirements for authorization for use

- This radio equipment is for outdoor use only.
- The Cambium 450 series of products can be configured to operate in either licensed or unlicensed frequency bands subject to frequency planning within individual countries. Operators / End users must ensure that the equipment is installed and operated in accordance with the regulations applicable to the country of operation and obtain any necessary licenses or permits.

Simplified EU declaration of conformity

Hereby, the manufacturer Cambium Networks Ltd, declares that the radio equipment types:-

- | | |
|------------------------|-----------------------|
| - 5 GHz PMP 450i | - 3.5 GHz PMP 450 SM |
| - 5 GHz PTP 450i | - 3.65 GHz PMP 450 SM |
| - 5 GHz 450b Mid-Gain | - 3 GHz PMP 450i |
| - 5 GHz 450b High-Gain | - 3 GHz PMP 450m |
| - 5 GHz PMP 450m | |

are in compliance with Directive 2014/53/EU. The full text of the EU declaration of conformity is available at the following internet address: http://www.cambiumnetworks.com/eu_dofc

Waste Electrical and Electronic Equipment (WEEE) directive



Please do not dispose of Electronic and Electric Equipment or Electronic and Electric Accessories with your household waste. In some countries or regions, collection systems have been set up to handle waste of electrical and electronic equipment. In European Union countries, please contact your local equipment supplier representative or Cambium Networks Support Centre for information about the waste collection system in your country.

12. Cambium Networks

Cambium Networks provides professional grade fixed wireless broadband and microwave solutions for customers around the world. Our solutions are deployed in thousands of networks in over 153 countries, with our innovative technologies providing reliable, secure, cost-effective connectivity that's easy to deploy and proven to deliver outstanding performance.

Our award-winning Point to Point (PTP) radio solutions operate in licensed, unlicensed and defined use frequency bands including specific FIPS 140-2 solutions for the U.S. Federal market. Ruggedized for 99.999% availability, our PTP solutions have an impeccable track record for delivering reliable high-speed backhaul connectivity even in the most challenging non-line-of-sight RF environments.

Our flexible Point-to-Multipoint (PMP) solutions operate in the licensed, unlicensed and federal frequency bands, providing reliable, secure, cost effective access networks. With more than three million modules deployed in networks around the world, our PMP access network solutions prove themselves day-in and day-out in residential access, leased line replacement, video surveillance and smart grid infrastructure applications.

Cambium Networks solutions are proven, respected leaders in the wireless broadband industry. We design, deploy and deliver innovative data, voice and video connectivity solutions that enable and ensure the communications of life, empowering personal, commercial and community growth virtually everywhere in the world.

User Guides:	http://www.cambiumnetworks.com/guides
Technical training:	https://learning.cambiumnetworks.com
Support website:	https://support.cambiumnetworks.com
Main website:	http://www.cambiumnetworks.com
Sales enquiries:	solutions@cambiumnetworks.com
Support enquiries:	https://support.cambiumnetworks.com
Telephone number list:	http://www.cambiumnetworks.com/contact-us/
Address:	Cambium Networks Limited, Linhay Business Park, Eastern Road, Ashburton, Devon, TQ13 7UP United Kingdom

1. Úvod

Děkujeme, že jste si koupili zařízení Cambium Networks řady 450. Tato příručka má pomoci provozovatelům získat podrobné informace o hardwaru, montážních postupech, úvodním přihlášení, bezpečnosti a záruce řady 450.

Platí pro všechny produkty řady 450.

2. Popis produktu

Rádiová zařízení Cambium Networks řady 450 podporují přenos dat po mikrovlnných spojích Point to MultiPoint (PMP) a Point to Point (PTP). Tato zařízení (nazývaná také „venkovní jednotky“) slouží k profesionálnímu užití a výhradně k venkovnímu upevnění.

PMP (Point-to-Multipoint)

Platforma řady 450 obsahuje přístupový bod (AP) a několik venkovních účastnických zařízení (SM). Rádiové spojení pracuje v jediném kmitočtovém kanálu v každém směru a využívá duplex s časovým dělením (TDD).

Přístupový bod se dodává buď jako integrovaný včetně sektorové antény, nebo jako zařízení s konektorem, ke kterému se připojuje externí anténa.

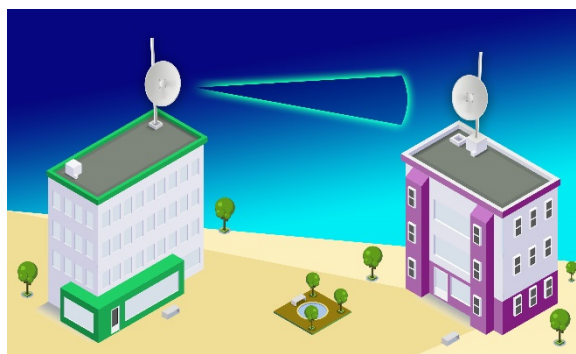
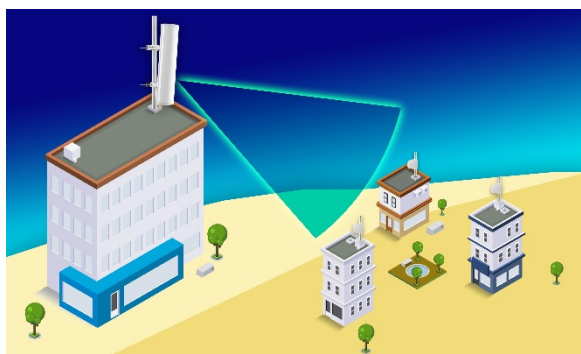
Účastnická zařízení se dodávají buď jako integrovaná včetně směrové antény, nebo jako zařízení s konektorem, ke kterým se připojuje externí anténa.

PTP (Point-to-Point)

Platforma řady PTP 450 zahrnuje dvě páteřní (BH) venkovní jednotky. K navázání rádiového spojení mezi dvěma páteřními rádiovými jednotkami je třeba, aby koncový uživatel jednu z nich nastavil jako páteřní master (BHM) a druhou jako páteřní slave (BHS).

Rádiové spojení pracuje v jediném kmitočtovém kanálu a využívá duplex s časovým dělením (TDD).

Zařízení řady PTP se dodávají buď jako integrovaná včetně směrové antény, nebo jako zařízení s konektorem, ke kterému se připojuje externí anténa.



3. Instalace a provoz

Instalace a provoz tohoto zařízení jsou poměrně komplexní. Společnost Cambium tedy doporučuje odbornou montáž a správu systému, která mimo jiné zajistí soulad provozu s platnými předpisy regionu, kde se zařízení provozuje. Dodržujte pokyny uvedené v této příručce pro rychlé spuštění. Další pokyny ohledně instalace a provozu PMP a PTP sítí naleznete v uživatelské příručce k zařízení, viz odkazy na konci této příručky pro rychlé spuštění.

Pracovník zajišťující montáž musí být dostatečně kvalifikovaný a je zodpovědný za: znalost příslušných platných národních předpisů včetně předpisů o rádiovém provozu, elektrických instalacích, ochraně proti přepětí a předpisů o práci ve výškách, montáž podle pokynů společnosti Cambium Networks, ověření souladu nastavení zařízení s národními a regionálními předpisy, Znalost materiálů pro odbornou přípravu dostupných na webu Cambium Networks (viz odkaz níže). Během montáže dodržujte následující důležité pokyny. Zajistíte tím soulad zařízení s národními předpisy a jeho legální provoz.

Ověřte u zařízení řady 450 aktuálnost obsaženého aplikačního kódu. Aby byly splněny národní předpisy, musí být vybaveno softwarem Canopy ve verzi 16.x.x nebo novější. Tento software je k dispozici na stránce centra podpory Cambium, viz odkaz níže.

4. Bezpečnostní informace k produktu

Dodržujte následující bezpečnostní pokyny:

Presvědčte se, že venkovní jednotka (i s konstrukcí, ke které je připevněná) odolá maximální síle větru v uvažované lokalitě.

Během montáže nepřipojujte zařízení k napájení. Před každým servisním zásahem odpojte zařízení od zdroje napájení.

V blízkosti antény zapnutého vysílače působí zdraví škodlivé vysokofrekvenční záření.

U produktů řady 450 dodržujte níže uvedenou minimální bezpečnou vzdálenost.

Umístěte zařízení tak, abyste škodlivému záření nikoho nevystavili.

Při výškových pracích dbejte maximální opatrnosti. Dodržujte vnitrostátní předpisy o práci ve výškách. Využívejte služeb odborně způsobilých pracovníků.

Při práci v blízkosti elektrických vedení dbejte maximální opatrnosti.

Kabeláž by měl vždy instalovat kvalifikovaný elektrikář.

Venkovní jednotka se musí správně uzemnit.

K napájení zařízení vždy používejte určený napájecí zdroj platformy Cambium 450. Pokud určený zdroj PoE dodaný společností Cambium nepoužijete, může dojít k poškození zařízení a ohrožení bezpečnosti.

Napájecí injektory Cambium Networks neumísťujte do nekrytého prostředí.

Konstrukce, zařízení a osoby musí být chráněny proti elektrostatickému výboji:

umístěním zařízení do zóny chráněné proti bleskům,

instalací vhodných bleskosvodů, které výboj odvedou do země preferovanou cestou.

Doporučuje se provést propojení se zemí a zajistit svody přechodného přepětí. Použijte přepětovou ochranu určenou společností Cambium.

Kryt venkovní jednotky může být při provozu horký.

Připojovací kabely vystavené venkovnímu prostředí musí být určené pro venkovní užití. Použijte kabely doporučené společností Cambium.

5. Typické způsoby instalace

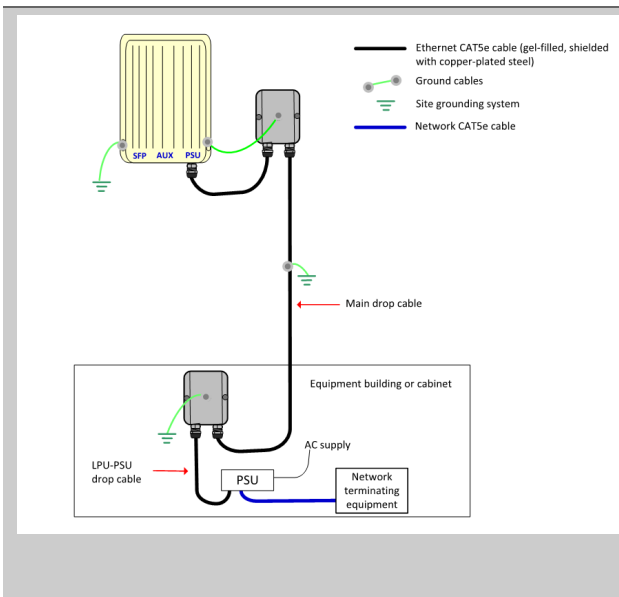
V nejjednodušším uspořádání (obrázek 1) vede trasa dat ze síťového zařízení (ethernetové rozhraní) přes napájecí injektor PoE (na obrázku označen „PSU“) a pak po měděném kabelu do venkovní jednotky (na port PSU). Jak vidíte, neměli byste zapomenout nainstalovat přepěťovou ochranu. Obvyklé způsoby instalace na stožár či věž a na zeď jsou znázorněny níže (obrázky 2, 3 a 4). Informace o dalších možných konfiguracích naleznete v uživatelské příručce.

Rádiové zařízení vždy umístěte do zóny chráněné proti bleskům:

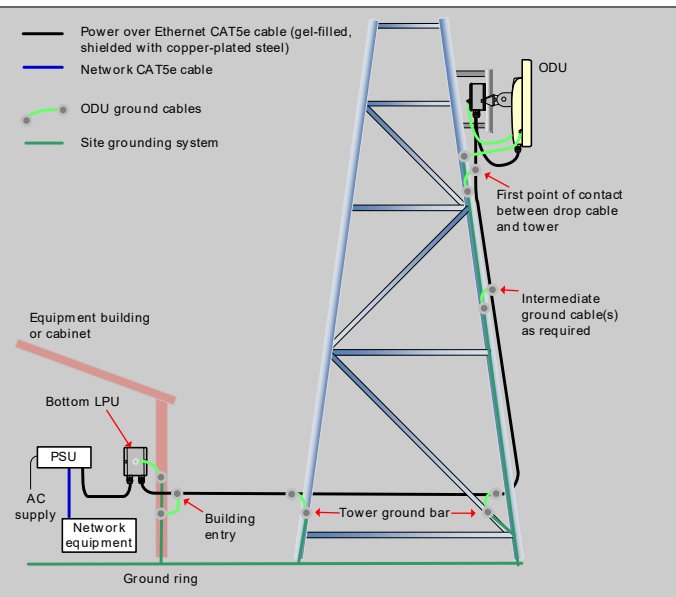
Zařízení musí být vždy níž, než je vrchol věže, budovy nebo hromosvodu.

Věž nebo budova musí být správně uzemněny.

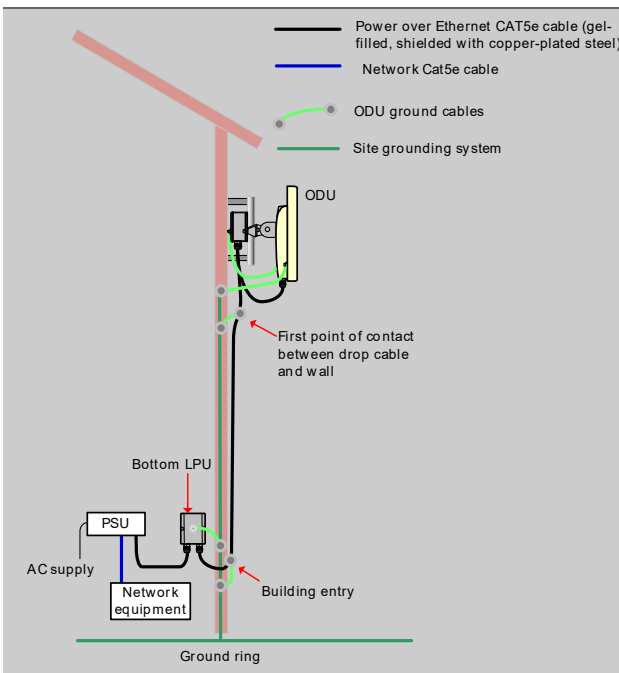
Obrázek 1 Základní uspořádání



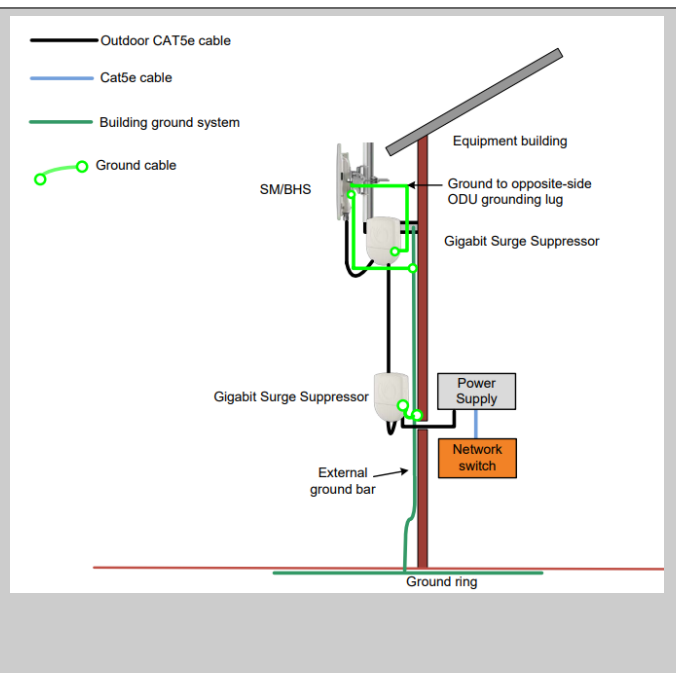
Obrázek 2 Montáž na stožár nebo věž



Obrázek 3 Montáž na zeď (450i)



Obrázek 4 Montáž na zeď (450 SM)



6. Přehled hardwaru

Rozhraní PMP/PTP 450i

Ethernetový port a port Sync/AUX se nacházejí na zadní straně integrované i konektorové venkovní jednotky. Zde můžete vidět konektorovou venkovní jednotku.



Port name	Connector	Interface	Description
Main PSU	RJ45	PoE input	Power over Ethernet (PoE)
		10/100/1000BASE-T Ethernet	Data
Sync/AUX	RJ45	10/100/1000BASE-T Ethernet	Data
		PoE output	Standard IEEE802.3at PoE
		Sync input/output	Connection and powering of UGPS Sync input

Rozhraní PMP/PTP 450b

Zde vidíte zařízení se středním ziskem. Rozhraní jsou stejná i u zařízení s vysokým ziskem.

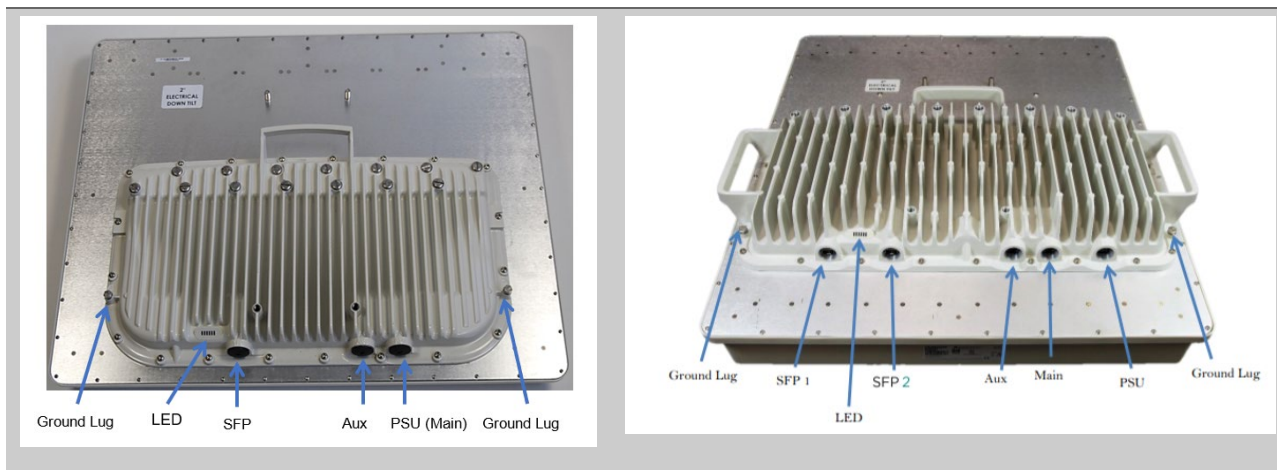


Port name	Connector	Interface	Description
PSU/Ethernet Port	RJ45	PoE input	Power over Ethernet (PoE)
		10/100/1000BASE-T Ethernet	Data
Audio AUX Port	Standard 3.5 mm headphones	Alignment tone input	3.5 mm audio jack for alignment tone

Rozhraní přístupového bodu PMP 450m

5 GHz PMP 450m

3 GHz PMP 450m



Definice rozhraní přístupového bodu 5 GHz PMP 450m

Název portu	Konektor	Funkce rozhraní	Popis
PSU (hlavní)	RJ45	Vstup PoE	Napájení přes ethernet (POE).
		10/100/1000 BaseT Ethernet	Data
Aux	RJ45	10/100 BaseT Ethernet	Data
		Výstup PoE	PoE podle standardu IEEE802.3at
		Sync vstup/výstup	Připojení a napájení pro synchronizační vstup UGPS
SFP	SFP	2,5 Gbps a 1 Gbps měděný ethernet	Data a služby pro správu Připojovací modul SFP je třeba zakoupit zvlášť.
		Zemnicí očka	10 AWG měděný drát

Definice rozhraní přístupového bodu 3 GHz PMP 450m

Název portu	Konektor	Funkce rozhraní	Popis
PSU	4pinový	Vstup SS napájení	40-60 V plus Cambium Sync-over-power
Main	RJ45	Ethernet	10/100/1000Base-T Ethernet, plus Cambium Sync-over-data
Aux	RJ45	Ethernet	Výstup 10/100Base-T Ethernet s PoE
		Synchronizace	Synchronizační port UGPS
		Ladění	Zvukové tóny
SFP 1	SFP	Ethernet	Modul SFP
SFP 2	SFP	Ethernet	Modul SFP (samostatný nebo dvojité)
Zemnicí očka		10 AWG měděný drát	Slouží k uzemnění zařízení.

Napájecí zdroje

Napájení venkovní jednotky zajišťuje injektor PoE (kromě zařízení PMP 450m 3 GHz, k němuž se napájení a data vedou samostatně). Všechny napájecí injektory a napájecí zdroje dodávané společností Cambium Networks jsou určeny do krytých prostor. Nižší uvedená tabulka shrnuje varianty napájecích zdrojů Cambium Networks dostupné pro jednotlivá rádiová zařízení řady 450.

Model	30 V SS	56 V SS	802.3af	802.3at	N000900L001B/c Gigabit (15.W)	N000900L002A 100 Base T (15.W) –	N000000L034A (Stříd.) – 30 W, 56 V SS	N000065L001C (Stříd.) – 60 W	C000065L002C (Stříd. + SS) – 100.W	N000000L054B (AC) 54 V, 240 W
PMP 450 AP	X	-	-	-	X*	X*	-	-	-	-
PMP 450 SM	X	-	-	-	X*	X*	-	-	-	-
PTP 450	X	-	-	-	X*	X*	-	-	-	-
PMP / PTP 450b	X	-	-	-	X	X*	-	-	-	-
PMP 450i AP	-	X	-	X	-	-	X	X	X	-
PMP 450i SM	-	X	-	X	-	-	X	X	X	-
PTP 450i	-	X	-	X	-	-	X	X	X	-
5 GHz PMP 450m	-	X	-	-	-	-	-	-	X	-
3 GHz PMP 450m	-	-	-	-	-	-	-	-	-	X

* Pouze režim 100 Base T (ne gigabitový režim)

Napájecí kabel k připojení do střídavé napájecí sítě se dodává samostatně ve verzích pro různé regiony.

Typy napájecích zdrojů si můžete prohlédnout níže:

Typ napájecího injektoru Fotografie napájecího injektoru

Napájecí zdroj PMP / PTP 450 / 450b
Stříd. vstup: 90–264 V stříd., 0,5 A rms
SS výstup: 30,0 V SS +/-5 %, 15 W, 500 mA max
Konektory RJ 45: Dva (vstup dat a výstup dat s napájením)

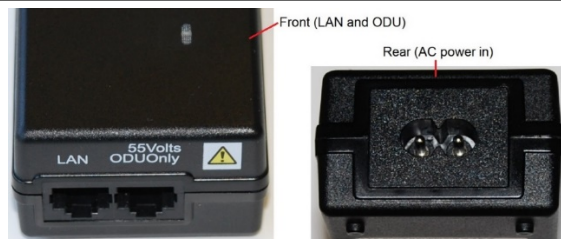


Střídavý napájecí injektor (pro 450i)

Stříd. vstup: Vstup střídavého napájení (elektrická síť)

Port ODU: Konektor RJ45 pro připojení kabelu CAT5e k venkovní jednotce

Port LAN: Konektor RJ45 pro připojení kabelu CAT5e k síťovému zařízení



Rozšířený střídavo- stejnospřemý napájecí injektor

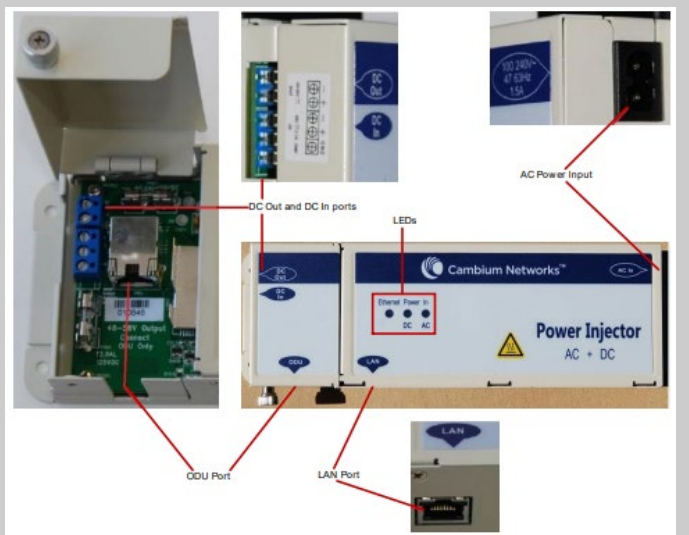
Vstup stříd. napájení: 100–240 V 47–
63Hz 1,5 A

SS vstup: Alternativní vstup SS
napájení

ODU: Konektor RJ45 pro připojení
kabelu CAT5e k venkovní jednotce

LAN: Konektor RJ45 pro připojení
kabelu CAT5e k síti

SS výstup: Výstup SS napájení k
druhému napájecímu zdroji
(zajišťujícímu redundanci napájení)
nebo k rozhraní NIDU



Upozornění

Odolná integrovaná účastnická zařízení PMP 450 s vysokým ziskem (výrobní čísla C035045C014A a C036045C014A) se sice dodávají v krytu pro typ 450i, obsahují však obvody řady 450, které se musí napájet 30 V SS. Když k těmto účastnickým zařízením připojíte 56 V SS, poškodíte je.

Přepětové ochrany

Níže uvedená tabulka obsahuje vhodné přepětové ochrany pro jednotlivé modely rádiových zařízení řady 450.

Model	30 V SS	56 V SS	C000000L065A Gigabitový ethernet	600SSH (100 BASE T)	C000000L033A Gigabitový ethernet	C000065L007B Sada ochrany proti blesku	C000000L114A Stejnospřemý sada ochrany proti blesku
PMP 450 AP	X	-	X	X	-	-	-
PMP 450 SM	X	-	X	X	-	-	-
PTP 450	X	-	X	X	-	-	-
PMP 450b	X	-	X	X	-	-	-
PMP 450i AP	-	X	-	-	X	X	-
PMP 450i SM	-	X	-	-	X	X	-
PTP 450i	-	X	-	-	X	X	-
5 GHz PMP 450m AP	-	X	-	-	-	X	-
3 GHz PMP 450m AP	-	-	-	-	-	-	X

Společnost Cambium Networks nedoporučuje používat spolu se zařízeními platform PMP 450i nebo PMP 450b přepětové ochrany na principu výbojek.

Další příslušenství

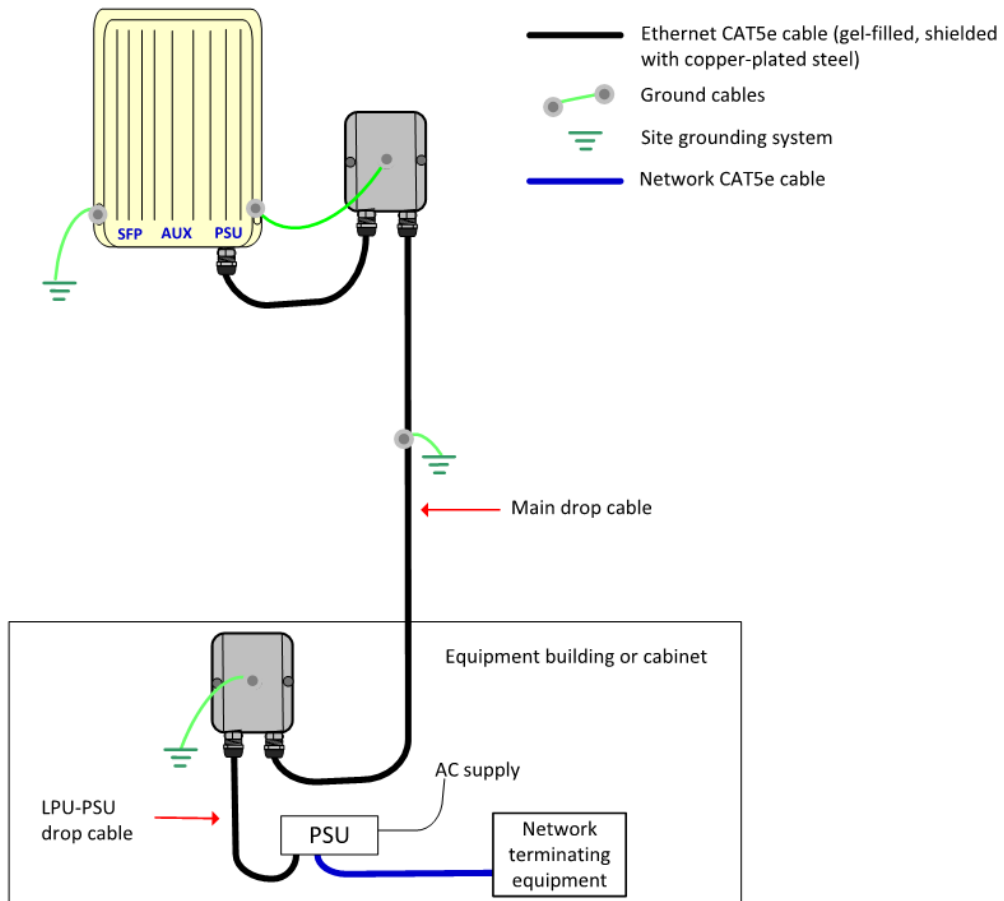
Společnost Cambium Networks nabízí celou řadu dalšího příslušenství, například napájecí kabely, připojovací kabely, zemnicí kabely atd. Další informace naleznete v uživatelské příručce a v průvodci objednávkám.

7. Montáž a připojení zařízení

Podle vnitrostátních předpisů ještě před montáží ověřte, zda jste od regulačních orgánů získali všechna potřebná povolení. Před montáží důkladně naplánujte umístění venkovních jednotek z hlediska dobrého pokrytí rádiovým signálem a omezení rušení na minimum. K optimalizaci výkonu spojení použijte nástroje pro plánování rádiových spojení, například LINKPlanner. Montáž a spuštění zařízení by měli provádět kvalifikovaní pracovníci.

Základní montáž venkovních jednotek

1. Proveďte úvodní nastavení venkovní jednotky, jak je popsáno v dalším oddílu (oddíl 8).
2. Během montáže nepřipojujte venkovní jednotky k napájení.
3. Venkovní jednotky umísťujte tak, aby spojení nebránil rádiový horizont a do Fresnelovy zóny nezasahovaly žádné objekty.
4. V případě přístupových bodů určete pomocí místní mapy, kompasu a případně zařízení GPS směrovou orientaci podle uspořádání příslušného sektoru. Podle potřeby nastavte úhel sklonu.
5. Podle níže uvedeného schématu připojte k venkovní jednotce kabely.
 - a. Připojte ethernetový kabel z portu „Data“ nebo „LAN“ napájecího zdroje PoE k ethernetovému portu notebooku.
 - b. Připojte napájecí kabel od venkovní jednotky k portu „Data + Power“ nebo „ODU“ napájecího zdroje.
 - c. Podle obrázku nainstalujte přepěťové ochrany a podle potřeby připojte zemnicí kabely.
 - d. Připojte napájecí zdroj k elektrické síti.
 - e. Opatřete externí konektory ochranou proti vodě.



Montáž účastnického zařízení řady 450 – SM

Účastnického zařízení je potřeba několika dalšími kroky správně nasměrovat.

K hrubému nasměrování použijte směrovací nástroj nebo směrovací tón.

Ověřte spojení mezi přístupovým bodem a účastnickým zařízením: zkontrolujte hladinu výkonu, otestujte spojení a prověřte množství registrací a relací.

Další informace naleznete v uživatelské příručce.

Příprava spojení PTP řady 450

U zařízení sloužících jako „páteří master“ (BHM) je montáž obdobná jako u přístupového bodu. Při montáži zařízení sloužících jako „páteří slave“ (BHS) je potřeba provést hrubé nasměrování pomocí zaměřovacího nástroje nebo směrovacího tónu. Další informace naleznete v uživatelské příručce.

Další informace o montáži, kabeláži a nasměrování zařízení naleznete v uživatelské příručce nebo školicích materiálech k řadě 450. Tyto příručky jsou dostupné na webové stránce Cambium Networks, viz odkazy na konci tohoto dokumentu.

8. Nastavení rádiových zařízení 450 podle národních předpisů

Společnost Cambium doporučuje provést úvodní nastavení zařízení před montáží „na stole“.

Připojte zařízení řady 450 k napájecímu zdroji PoE a vhodnému počítači.

Připojte ethernetový kabel z počítače k portu „Data“ zdroje PoE.

Dalším ethernetovým kabelem propojte port „data and power“ zdroje PoE a rádiové zařízení řady 450.

Zapojte napájecí kabel zdroje PoE do elektrické zásuvky a zařízení zapněte.

Zkontrolujte, zda na zdroji PoE svítí dioda indikující napájení.

Na rádiovém zařízení řady 450:

Zkontrolujte, zda se 10 pomalými zablikáními rozsvítí oranžová dioda Ethernet.

Zkontrolujte, zda dioda Ethernet poté zůstala svítit.

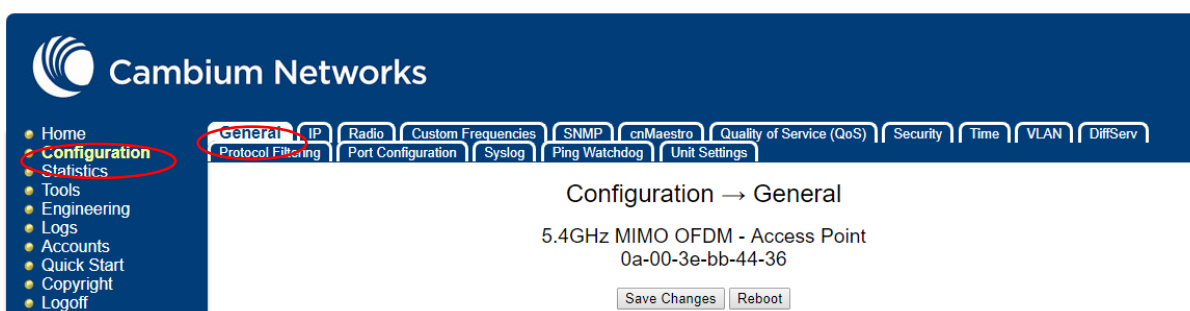
Na počítači nastavte ethernetový port na statickou IP adresu v rozsahu 169.254.X.X. Nepoužívejte adresy 169.254.0.0 a 169.254.1.1. Dobrým příkladem je 169.254.1.3. Zadejte masku podsítě 255.255.0.0. Výchozí bránu ponechte nevyplněnou.

Ve webovém prohlížeči přejděte na výchozí webovou adresu 169.254.1.1 a přihlaste se.

Zadejte uživatelské jméno (výchozí je „admin“) a heslo (výchozí je také „admin“) a klikněte na „Přihlásit.“

Zobrazí se nabídka webového rozhraní řady 450 a stránka Souhrn systému.

V nabídce na levé straně stránky vyberte „Konfigurace“ (stejně jako na obrázku):



Klikněte na kartu „Obecné“ a posuňte se dolů až k části „Nastavení regionu“:



Region Settings	
Region :	Europe
Country :	Other

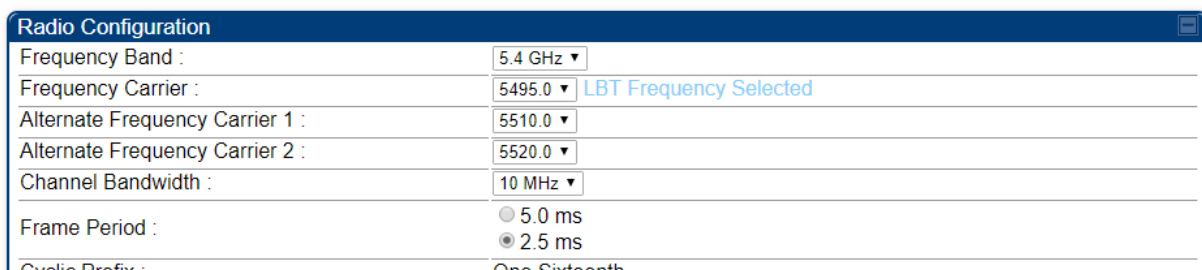
Zkontrolujte, zda nastavený kód regionu odpovídá regionu, ve kterém se bude zařízení provozovat. Pokud ne, vyberte správný region, než budete pokračovat dále.

Klikněte na pole „Země“ a z rozevřacího seznamu vyberte zemi, ve které se bude zařízení provozovat. Pokud v seznamu není, vyberte možnost „Jiná“.

Klikněte na „Uložit změny“ a poté na „Restartovat“.

Po restartu se znovu přihlaste.

Přejděte na kartu „Rádio“. V nabídce „Nastavení rádia“ vyberte požadované kmitočtové pásmo, klikněte na tlačítko „Uložit změny“ a poté na „Restartovat“. Po restartu se znovu přihlaste, opět přejděte do nabídky „Nastavení rádia“ a vyberte příslušný nosný signál a šířku pásma. U verzí rádiového zařízení pro EU může být pro pásma 5,4 GHz a 5,7 GHz potřeba vybrat „náhradní“ nosné signály.



Radio Configuration	
Frequency Band :	5.4 GHz
Frequency Carrier :	5495.0 LBT Frequency Selected
Alternate Frequency Carrier 1 :	5510.0
Alternate Frequency Carrier 2 :	5520.0
Channel Bandwidth :	10 MHz
Frame Period :	<input type="radio"/> 5.0 ms <input checked="" type="radio"/> 2.5 ms
Cyclic Prefix :	One Sixteenth

Klikněte na „Uložit změny“ a poté na „Restartovat“.

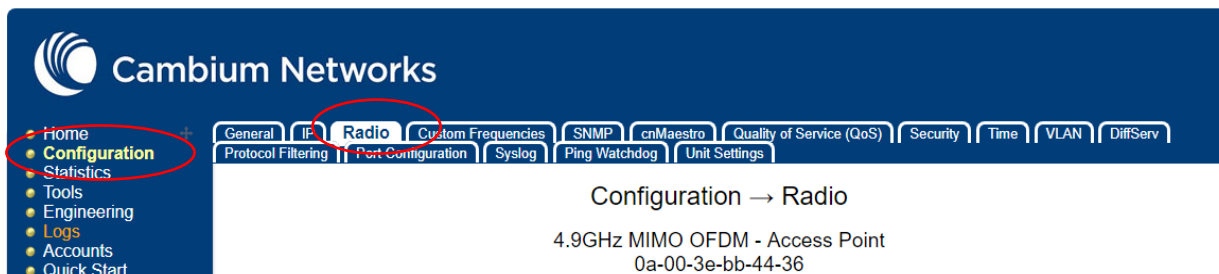
Po restartu přejděte na kartě „Rádio“ do nabídky „Řízení výkonu“. Zkontrolujte, zda je EIRP (ekvivalentní izotropně vyzářený výkon) nastavený na správnou hodnotu země, ve které se bude zařízení provozovat. Dokud nebude EIRP vyhovovat národním předpisům, nepokračujte dále. Pokud nastavujete zařízení s konektory, postupujte podle pokynů v oddílu „Zařízení řady 450i 5 GHz s konektory – další kroky“.

Další nastavení

Teď nastavíte další parametry zařízení řady 450. V nabídce „Rychlý začátek“ můžete nastavit minimum potřebné k provozu.

Zařízení s konektory – další kroky

Při nastavování konektorového rádiového zařízení k provozu s externí anténou je třeba v uživatelském rozhraní na kartě „Rádio“ nastavit zisk antény. Na webové stránce zařízení řady 450 vyberte v levé nabídce „Nastavení“ a poté klikněte na kartu „Rádio“.



Cambium Networks

- Home
- Configuration**
- Statistics
- Tools
- Engineering
- Logs
- Accounts
- Quick Start

General | IP | **Radio** | Custom Frequencies | SNMP | cnMaestro | Quality of Service (QoS) | Security | Time | VLAN | DiffServ

Protocol Filtering | Port Configuration | Syslog | Ping Watchdog | Unit Settings

Configuration → Radio

4.9GHz MIMO OFDM - Access Point
0a-00-3e-bb-44-36

Pak přejděte do okna „Řízení výkonu“ a do druhého políčka zadejte zisk externí antény v dBi. Rádiové zařízení podle toho automaticky nastaví vysílací výkon (možná budete muset zařízení restartovat).

Power Control	
Transmit Power :	11 dBm (Range: -30 — +20 dBm) (8 dBm V / 8 dBm H)
External Gain :	16 dBi (Range: 0 — +40 dBi)
SM Receive Target Level :	-52 dBm (Range: -77 — -37 dBm) combined power
Adjacent Channel Support :	<input type="radio"/> Enabled <input checked="" type="radio"/> Disabled

Zkontrolujte, zda hodnota uvedená v políčku „Vysílací výkon“ po sečtení s hodnotou „Externí zisk“ nepřesahuje podle národních předpisů povolený vyzářený výkon (EIRP).

Webové uživatelské rozhraní zařízení řady 450 je omezené, abyste nemohl zadat příliš vysoký anténní zisk.

9. Externí antény

Doporučené externí antény

Cambium Networks doporučuje pro venkovní jednotky PMP 450/450i AP následující antény:

Výrobní číslo společnosti Cambium 85009324001 – 5GHz anténa pro 90° sektor, zisk 17 dBi

Výrobní číslo společnosti Cambium C030045D901A – 3,3-3,8GHz anténa s dvojí polarizací pro 90° sektor.

Pro zařízení PTP 450i 5 GHz s konektory doporučuje Cambium Networks tyto parabolické antény.

Výrobní číslo společnosti Cambium	Popis
RDH4503B	5,25–5,85 GHz 0,6 m, 29,0 dBi, dvojí polarizace, H a V polarizace, s jemným laděním
RDH4504B	5,25–5,85 GHz 0,9 m, 32,5 dBi, dvojí polarizace, H a V polarizace
RDH4505B	5,25–5,85 GHz 1,2 m, 34,9 dBi, dvojí polarizace, H a V polarizace
RDH4506B	5,25–5,85 GHz 1,8 m, 37,9 dBi, dvojí polarizace, H a V polarizace
RDH4508B	5,25–5,85 GHz 0,6 m, 28,8 dBi, vysoký výkon, dvojí polarizace
RDH4509B	5,25–5,85 GHz 0,9 m, 32,3 dBi, vysoký výkon, dvojí polarizace
RDH4510B	5,25–5,85 GHz 1,2 m, 34,7 dBi, vysoký výkon, dvojí polarizace
RDH4511B	5,25–5,85 GHz 1,8 m, 37,7 dBi, vysoký výkon, dvojí polarizace

Alternativní antény pro zařízení s konektory

K použití s dvoupólovou anténou s vertikální a horizontální (VH) polarizací jsou určena 5GHz konektorová zařízení řady PTP 450.

Externí dvoupólovou anténu s dvojí polarizací doporučujeme používat s 3GHz konektorovými zařízeními řady 450.

Při testech souladu konektorových rádiových zařízení řady 450i/450 s evropskými předpisy byly použity níže uvedené typy antén. U každé antény je uvedený maximální zisk. Můžete použít antény stejného typu s odpovídajícím nebo nižším ziskem. Antény s větším ziskem v EU nepoužívejte. Aby nedocházelo k rádiovému rušení jiných uživatelů, je třeba typ a zisk antény vybrat tak, aby ekvivalentní izotropně vyzářený výkon (EIRP) nebyl větší než potřebujete k úspěšné komunikaci.

Typ antény	Zisk antény podle výrobce (dBi)			
	Pásmo 4,9 GHz	Pásmo 5,1 GHz	Pásmo 5,4 GHz	Pásmo 5,8 GHz
Parabolická anténa 183 cm	37,2	37	–	38,1
Parabolická anténa 122 cm	–	–	34,9	–

Plochá desková	28	28,5	28,5	28,5
Sektorová	17	17	17	17
Všesměrová	13	13	13	13

10. Další příslušenství dodávané společností Cambium Networks

Synchronizace podle GPS

Společnost Cambium nabízí funkci synchronizace s GPS (Global Positioning System), která omezuje rušení pocházející s vlastní sítě. Přístupové body a páteřní master zařízení řady 450 umí přijímat vstup časování GPS ze synchronizačního generátoru cnPulse nebo z univerzálního modulu GPS. Tato zařízení mohou dodávat časovací signál pro dvě rádiová zařízení. V případech, kdy je na stejném místě potřeba umístit více než dvě rádiová zařízení, lze vysílání synchronizačního signálu na několik zařízení zajistit pomocí správy shluků (CMM).

cnPulse a univerzální modul GPS (UGPS)

Zařízení cnPulse nebo UGPS zajišťují synchronizaci pro menší sítě, u nichž není cenově výhodné použít CMM. Tato synchronizační zařízení pracují se všemi rádiovými zařízeními Cambium řady 450. Jsou malá a snadno se instalují.



Modul pro správu shluků (CMM)

CMM zajišťuje šíření synchronizačního signálu GPS (Global Positioning System) do přístupového bodu a všech přidružených účastnických zařízení (SM). CMM zajišťuje rozvod napájení, časování GPS a síťových spojení ve shluku přístupových bodů. CMM můžete zakoupit s vnitřním přepínačem nebo bez něj, aby si provozovatel sítě mohl vybrat přepínač podle sebe. Jeden CMM může komunikovat s řadou různých venkovních jednotek přístupových bodů nacházejících se na stejné věži a s venkovní jednotkou spojení PTP (Point-to-Point), takže zajistí konektivitu pro celou lokalitu. K CMM můžete připojit až osm rádiových zařízení ve stejné lokalitě a ethernetové připojení. Časování pro CMM musí zajistit externí jednotka GPS.

CMM5

CMM5 (modul pro správu shluku) je nejnovější generací řešení pro šíření synchronizačních signálů TDD a napájení po ethernetu (PoE) v terénu. CMM5 je modulární, obsahuje samostatné čtyřportové napájecí injektory a volitelně i kontrolér sloužící ke vzdálené správě.

Hlavní funkce CMM5:

Podpora gigabitového ethernetu (1000BaseT)

Modularita a škálovatelnost od 4 do 32 portů

Přímý vstup +/- 48 V SS (Cambium Networks volitelně dodává i střídavo-stejnosměrné napájecí zdroje)

Jako zdroj synchronizace využívá UGPS od Cambium Networks

Odolné napájení se dvěma vstupy



11. Provoz v Evropské unii

Frekvenční pásma, maximální provozní výkon, bezpečná vzdálenost

5GHz zařízení

V EU lze zařízení PMP 5 GHz řady 450 provozovat v následujících frekvenčních pásmech a s uvedeným maximálním provozním výkonem:

Provozní frekvenční pásmo	Standard EU	Maximální povolený výkon (EIRP)	Povolené užití	Zařízení 5 GHz podporující toto frekvenční pásmo
5470–5725 MHz	EN 301 893	1 W / 30 dBm	Určeno pro obecné užití ve všech zemích EU	Všechna zařízení řady 450
5725–5875 MHz	EN 302 502	4 W / 36 dBm	Povoleno v některých zemích EU, viz poznámky 1 a 2	Všechna zařízení řady 450

Poznámka 1: Provoz v pásmu 5,8 GHz není povolený v následujících evropských zemích: Bulharsko,, Česká republika, Francie, Chorvatsko, Itálie, Kypr, Lotyšsko, Lucembursko, Nizozemsko, Polsko, Rakousko, Turecko. V ostatních zemích se může k provozu vyžadovat licence od státu. Potřebné informace zjistíte na webu státní správy své země.

Poznámka 2: Rádiové zařízení podle kódu země nastaví příslušné přidělené frekvence, výkon a dynamickou volbu frekvence (DFS).

U 5GHz zařízení řady 450 instalovaných v EU je minimální bezpečná vzdálenost mezi zařízeními a osobami 25 cm.

Poznámka: Pokud k zařízení vybavenému konektorem připojíte anténu s vysokým ziskem, musí montážní pracovník vypočítat bezpečnou vzdálenost podle zisku antény.

3GHz zařízení

V EU lze zařízení PMP 3 GHz řady 450 provozovat v následujících frekvenčních pásmech a s uvedeným maximálním provozním výkonem:

Provozní frekvenční pásmo	Standard EU	Maximální povolený výkon (EIRP)	Povolené užití	Zařízení 3 GHz podporující toto frekvenční pásmo
3410–3800 MHz	EN 302 326-1 EN 302 326-2	501 W / 57 dBm	V EU je k použití tohoto pásma potřeba licence. Viz poznámka 1	Viz poznámka 2

Poznámka 1: Před zprovozněním si vyžádejte povolení od národního orgánu vydávajícího licence. Měla by v něm být uvedena povolená frekvence, šířka pásma a maximální povolený výkon. Podle toho své zařízení nastavte.

Poznámka 2: V evropských zemích mohou zařízení 3 GHz PMP 450i a 3 GHz PMP 450m pracovat na frekvencích 3410 MHz až 3800 MHz, zařízení 3,5 GHz PMP 450 SM pak na frekvencích 3410 MHz až 3600 MHz a zařízení 3,65 GHz PMP 450 SM na frekvencích 3550 MHz až 3800 MHz.

U zařízení řady 450m instalovaných v EU odpovídá minimální bezpečná vzdálenost mezi zařízeními a osobami 2,3 m.

U všech ostatních produktů řady 450 instalovaných v EU odpovídá minimální bezpečná vzdálenost mezi zařízeními a osobami 50 cm.

Poznámka: Pokud k zařízení vybavenému konektorem připojíte anténu s vysokým ziskem, musí montážní pracovník vypočítat bezpečnou vzdálenost podle zisku antény.

Provoz v EU – Omezení a požadavky na povolení k použití

Toto rádiové zařízení je určeno pouze k venkovnímu použití.

Zařízení řady Cambium 450 můžete provozovat v licencovaných i bezlicenčních kmitočtových pásmech v souladu s plány kmitočtů v jednotlivých zemích. Provozovatelé a koncoví uživatelé musí zajistit, že se zařízení bude instalovat i provozovat v souladu s předpisy platnými v dané zemi a bude mít všechny potřebné licence a povolení.


Zjednodušené EU prohlášení o shodě

Výrobce Cambium Networks Ltd tímto prohlašuje, že rádiová zařízení typu:-

5 GHz PMP 450i	3,5 GHz PMP 450 SM
5 GHz PTP 450i	3,65 GHz PMP 450 SM
5 GHz 450b Mid-Gain	3 GHz PMP 450i
5 GHz 450b High-Gain	3 GHz PMP 450m
5 GHz PMP 450m	

jsou v souladu se směrnicí 2014/53/EU. Úplné znění EU prohlášení o shodě je k dispozici na následující internetové adrese: http://www.cambiumnetworks.com/eu_dofc

Směrnice o odpadních elektrických a elektronických zařízeních (OEEZ)

	Nevyhazujte elektrická a elektronická zařízení ani elektrické a elektronické příslušenství do domovního odpadu. V některých zemích a regionech fungují systémy zajišťující sběr odpadních elektrických a elektronických zařízení. V zemích Evropské unie kontaktujte zástupce svého dodavatele zařízení nebo centrum podpory společnosti Cambium Networks a požádejte o informace o systému sběru odpadu ve své zemi.
---	---

12. Cambium Networks

Společnost Cambium Networks dodává profesionální pevná bezdrátová širokopásmová a mikrovlnná řešení pro zákazníky z celého světa. Naše řešení fungují v tisících sítí ve více než 153 zemích, kde naše inovativní technologie zajišťují spolehlivou, bezpečnou a cenově efektivní konektivitu. Jejich instalace je snadná a zaručeně přináší skvělý výkon.

Naše oceňovaná rádiová řešení typu Point to Point (PTP) pracují v licencovaných i bezlicenčních frekvenčních pásmech a v pásmech se specifickým použitím včetně speciálních řešení FIPS 140-2 pro americký federální trh. Řešení typu PTP díky své vysoké odolnosti nabízejí 99,999% dostupnost. S dokonalou spolehlivostí zajišťují vysokorychlostní páteřní spojení i v těch z hlediska vysokofrekvenčních přenosů nejnáročnějších nepřímých prostředích.

Flexibilní řešení typu Point-to-Multipoint (PMP) pracují v licenčních, bezlicenčních a federálních frekvenčních pásmech a zajišťují spolehlivé, bezpečné a cenově výhodné fungování přístupových sítí. V sítích na celém světě jsou nainstalované více než tři miliony modulů. Řešení přístupových sítí typu PMP se osvědčila v každodenním provozu v obytných oblastech, jako náhrada pronajatých linek i v oblasti video dozoru a infrastruktury chytrých sítí.

Řešení od společnosti Cambium Networks jsou osvědčenou a respektovanou jedničkou v oboru bezdrátových širokopásmových sítí. Vyvíjíme, vyrábíme a dodáváme inovativní řešení pro datovou, hlasovou a video konektivitu, která umožňují a zajišťují každodenní komunikaci a napomáhají osobnímu, obchodnímu i komunitnímu rozvoji v podstatě po celém světě.

Uživatelské příručky:	http://www.cambiumnetworks.com/guides
Odborná školení:	https://learning.cambiumnetworks.com
Webová stránka podpory:	https://support.cambiumnetworks.com
Hlavní webová stránka:	http://www.cambiumnetworks.com
Dotazy ohledně prodeje:	solutions@cambiumnetworks.com
Dotazy ohledně podpory:	https://support.cambiumnetworks.com
Seznam telefonních čísel:	http://www.cambiumnetworks.com/contact-us/
Adresa:	Cambium Networks Limited, Linhay Business Park, Eastern Road, Ashburton, Devon, TQ13 7UP Velká Británie (UK)

1. Introduction

Merci d'avoir acheté cet équipement de la plateforme série 450 de Cambium Networks. Ce guide de démarrage rapide est fourni afin d'aider les opérateurs à acquérir un degré élevé de compréhension du matériel de la plateforme série 450, de ses méthodes d'installation, procédures de connexion initiale, et informations liées à la sécurité/garantie.

Ce guide de démarrage rapide s'applique à tous les produits de la plateforme série 450.

2. Description du produit

La radio série 450 de Cambium Networks prend en charge la transmission des données sur liaisons par microonde point-à-multipoints (PMP) et point-à-point (PTP). Cet équipement radio (appelé « unité extérieure » ou ODU) est destiné aux applications professionnelles pour installations extérieures fixes uniquement.

PMP (point-à-multipoints)

La plateforme PMP série 450 consiste en un point d'accès (PA) et plusieurs unités extérieures (ODU) de module d'abonné (SM). La liaison radio fonctionne sur un seul canal de fréquence dans chaque direction en utilisant le duplexage par séparation temporelle (TDD).

Le point d'accès est disponible en tant qu'unité connectée à raccorder à une antenne externe ou en tant qu'unité intégrée avec une antenne de secteur.

Le module d'abonné est disponible en tant qu'unité connectée à raccorder à une antenne externe ou en tant qu'unité intégrée avec une antenne directionnelle.

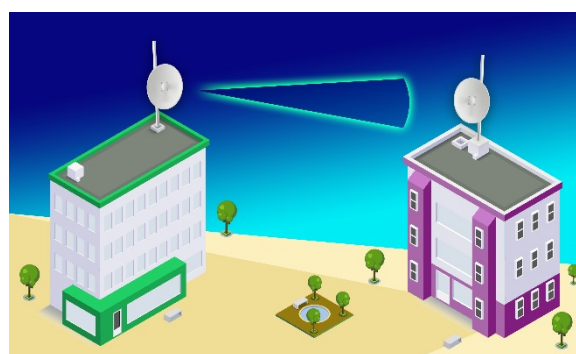


PTP (point-à-point)

La plateforme PTP série 450 consiste en deux ODU Backhaul (liaison). Pour établir une liaison radio entre deux radios de liaison (BH), l'utilisateur doit en configurer une en tant que BHM (liaison maître) et l'autre en tant que BHS (liaison esclave).

La liaison radio fonctionne sur un seul canal de fréquence en utilisant le duplexage par séparation temporelle (TDD).

La plateforme série PTP est disponible en tant qu'unité connectée à raccorder à une antenne externe ou en tant qu'unité intégrée avec une antenne directionnelle.



3. Installation et fonctionnement:

L'installation et l'utilisation de ce produit sont complexes, et Cambium recommande de faire appel à un professionnel pour effectuer l'installation et la gestion du système, cela permettra de s'assurer que son fonctionnement soit conforme aux règlements de la région dans laquelle le produit est installé. Merci de suivre les instructions contenues dans ce guide de démarrage rapide. D'autres directives sur l'installation et le fonctionnement PMP et PTP sont disponibles dans le guide de l'utilisateur produit, consulter les liens à la fin de ce guide de démarrage rapide.

L'installateur doit disposer de toutes les compétences, connaissances et expériences pour effectuer la tâche d'installation et il sera responsable de :

- Sa familiarité avec les réglementations nationales applicables en cours, incluant les normes de radio, les normes d'installation électrique, les normes de protection contre les surtensions et les normes de « travaux en hauteur »
- L'installation en conformité avec les instructions de Cambium Networks
- La confirmation que les réglages de l'équipement sont conformes aux réglementations nationales ou régionales
- Sa familiarité avec les supports de formation disponibles sur le site web de Cambium Networks (voir le lien ci-dessous)

Veillez observer les importantes instructions ci-dessous lors de l'installation. Cela permettra de régler l'équipement conformément aux réglementations nationales et d'assurer la légalité de l'usage.

- S'assurer que l'équipement de la série 450 est équipé du dernier code d'application. La version du logiciel doit être Canopy 16.x.x ou supérieure afin de se conformer aux réglementations nationales. Le logiciel est disponible sur le site Internet du Centre d'assistance de Cambium, consulter le lien ci-dessous.

4. Informations de sécurité du produit

Veillez vous conformer aux règles de sécurité suivantes:

- S'assurer que l'Unité extérieure (ODU) et la structure sur laquelle elle est montée sont capables de résister aux vitesses de vent maximales du site proposé.
- S'assurer que l'équipement n'est pas alimenté pendant l'installation. Toujours débrancher l'équipement de sa source d'alimentation avant de procéder à l'entretien.
- Des niveaux nocifs de rayonnements RF sont présents près de l'antenne lorsque l'émetteur est en marche.
 - Respecter la limite de distance minimale de sécurité pour les produits 450 indiquée ci-dessous.
 - S'assurer que l'équipement est installé dans une position permettant d'éviter tout risque de radiation chez l'homme.

Faire très attention lors des travaux en hauteur. Suivre les normes nationales de « travaux en hauteur ». Faire appel à un personnel formé et « compétent ».

Être extrêmement prudent lors de travaux près de lignes électriques.

Toujours faire appel à un électricien qualifié pour installer le câblage.

L'Unité extérieure (ODU) doit être correctement reliée à la terre.

Toujours utiliser les unités d'alimentation (PSU) spécifiées pour la plateforme 450 pour alimenter l'équipement. Le fait de ne pas utiliser le PoE fourni par Cambium pourrait endommager l'équipement et entraîner un risque pour la sécurité.

Ne pas déployer d'injecteurs d'alimentation Cambium Networks dans un environnement extérieur.

Les structures, l'équipement et les personnes doivent être protégés contre les décharges électrostatiques :-

en situant les équipements dans une zone protégée contre la foudre

par l'installation de paratonnerres appropriés à la conduite du courant de surcharge vers la masse via un chemin solide préférentiel.

une protection à la terre et une suppression de la surtension transitoire sont nécessaires. Utiliser les parasurtenseurs spécifiés par Cambium.

L'enveloppe de l'ODU peut être chaude au touché lorsqu'elle est en marche.

Utiliser des câbles extérieurs pour les connexions qui seront exposées à un environnement extérieur. Installer les câbles Cambium recommandés.

5. Installation typique

Dans la configuration la plus simple (Figure 1), les données en provenance de l'équipement réseau (interface Ethernet) sont routées via un injecteur Power over Ethernet (PoE) (légendé « PSU » sur l'illustration) puis via un câble cuivre vers l'ODU (port PSU). Des unités de protection contre les surtensions doivent également être déployées de la manière indiquée. L'illustration ci-dessous montre une installation typique sur mât ou tour et une installation murale (Figures 2, 3 et 4). Consulter le guide utilisateur pour plus de détails sur les différentes installations.

Toujours situer les équipements radio dans une zone de protection contre la foudre :-

L'équipement soit être situé en deçà du sommet de la tour ou du bâtiment ou de son paratonnerre.

La tour ou le bâtiment doivent être correctement reliés à la masse

Figure 1 Configuration basique

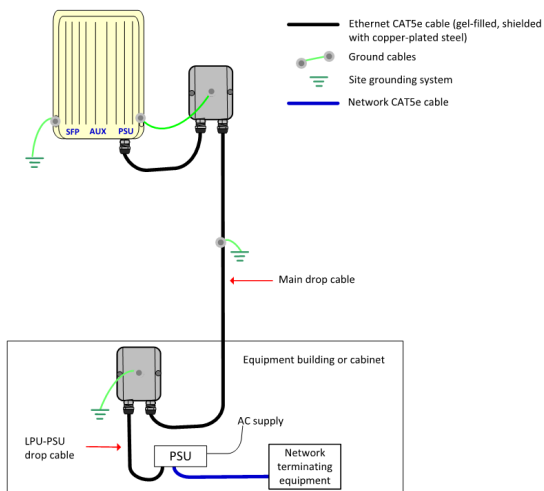


Figure 2 Installation sur mât ou sur tour

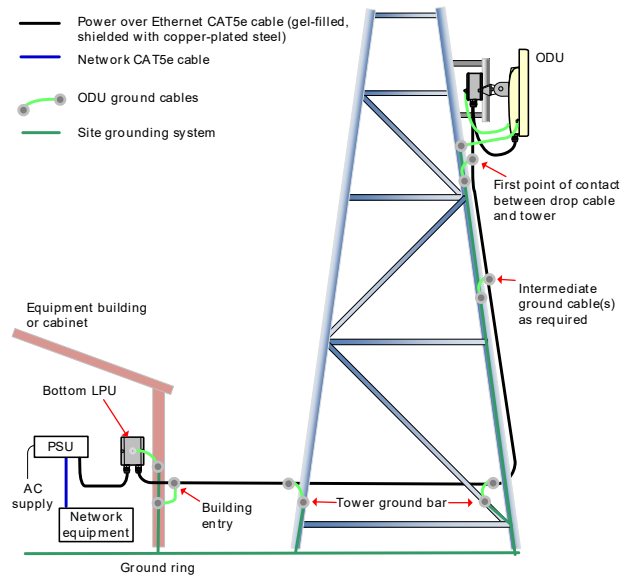


Figure 3 Installation murale (450i)

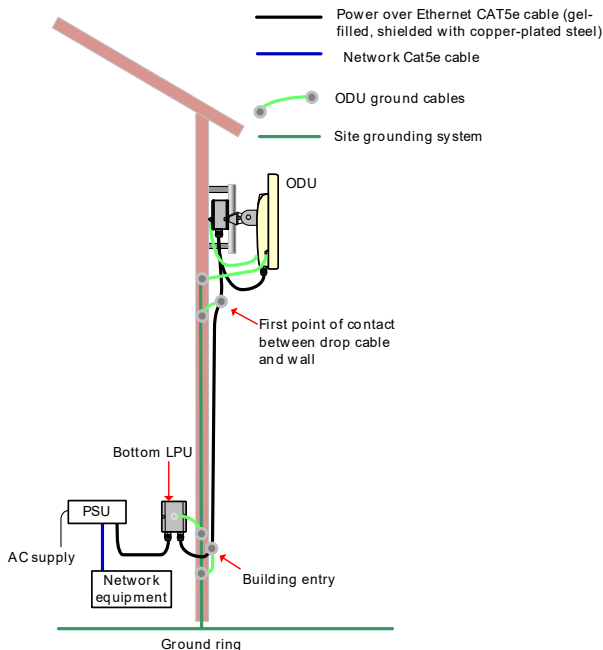
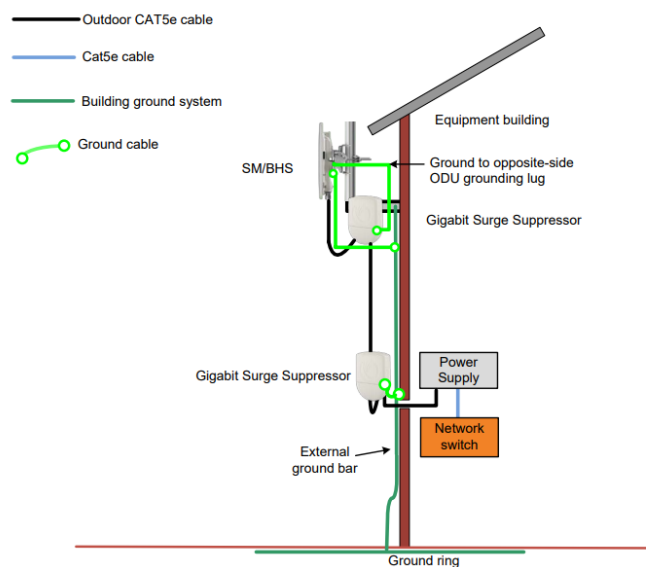


Figure 4 Installation murale (450 SM)



6. Aperçu des caractéristiques

Interfaces PMP/PTP 450i

Les ports Ethernet et Sync/AUX sont situés sur le panneau arrière des ODU intégrées et connectées. L'illustration présente l'ODU connectée.

Vue des connexions d'interface



Le panneau avant de l'ODU connectée



(Connecteurs femelles de type N permettant de recevoir des interfaces de câbles RF vers l'antenne avec les ports A et B)

Port name	Connector	Interface	Description
Main PSU	RJ45	PoE input	Power over Ethernet (PoE)
		10/100/1000BASE-T Ethernet	Data
Sync/AUX	RJ45	10/100/1000BASE-T Ethernet	Data
		PoE output	Standard IEEE802.3at PoE
		Sync input/output	Connection and powering of UGPS Sync input

Interfaces PMP/PTP 450b

L'image illustre l'unité à gain moyen. Les interfaces sont les mêmes pour l'unité à gain élevé.



Port name	Connector	Interface	Description
PSU/Ethernet Port	RJ45	PoE input	Power over Ethernet (PoE)
		10/100/1000BASE-T Ethernet	Data
Audio AUX Port	Standard 3.5 mm headphones	Alignment tone input	3.5 mm audio jack for alignment tone

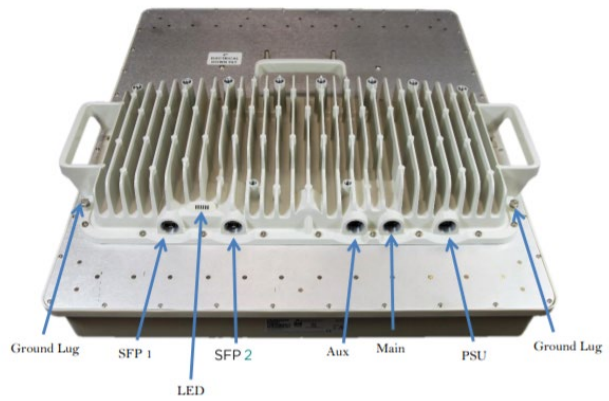
Interfaces PMP 450m AP

PMP 450m 5 Ghz



Ground Lug LED SFP Aux PSU (Main) Ground Lug

PMP 450m 3 Ghz



Définition d'interface PMP 450m 5 Ghz AP

Nom du port	Connecteur	Fonction de l'interface	Description
PSU (principale)	RJ45	Entrée PoE	Alimentation sur Ethernet (PoE)
		Ethernet 10/100/1000 BaseT	Données
Aux	RJ45	Ethernet 10/100 BaseT	Données
		Sortie PoE	PoE norme IEEE802.3at
		Entrée/sortie sync	Connexion et alimentation de l'entrée UGPS sync
SFP	SFP	Ethernet cuivre 2,5 Gbps et cuivre 1 Gbps	Services de données et de gestion Le module SFP à brancher est vendu séparément
Cosses de masse		Fils de cuivre 10 AWG	Pour la mise à la masse de l'unité

Définition d'interface PMP 450m 3 Ghz PA

Nom du port	Connecteur	Fonction de l'interface	Description
PSU	4 broches	Entrée alimentation CC	40 V - 60 V plus synchronisation sur alimentation Cambium
Principal	RJ45	Ethernet	Ethernet 10/100/1000Base-T, plus synchronisation sur données Cambium
Aux	RJ45	Ethernet	10/100Base-T Ethernet avec sortie PoE
		Synchronisation	Port de synchronisation UGPS

		Alignement	Tonalités audio
SFP 1	SFP	Ethernet	Module SFP
SFP 2	SFP	Ethernet	Module SFP (simple ou double)
Cosses de masse		Fils de cuivre 10 AWG	Pour la mise à la masse de l'unité

Alimentations électriques

L'ODU est alimentée par un injecteur PoE, excepté pour la PMP 450m 3 Ghz, pour laquelle l'alimentation et les données sont fournies séparément. Tous les injecteurs d'alimentation / alimentations électriques de la gamme Cambium Networks sont conçus pour l'environnement intérieur. La tableau suivant résume les variantes d'alimentations électriques Cambium Networks disponibles pour chaque modèle radio 450.

Modèle

	30 VCC	56 VCC	802.3af	802.3at	N000900L001B/C Gigabit (15 W)	N000900L002A 100 Base T (15 W) -	N000000L034A (CA) - 30 W. 56 VCC	N000065L001C (CA) - 60 W	C000065L002C (CA+CC) - 100 W	N000000L054B (CA) 54 V 240 W
PMP 450 AP	X	-	-	-	X	X*	-	-	-	-
PMP 450 SM	X	-	-	-	X*	X*	-	-	-	-
PTP 450	X	-	-	-	X*	X*	-	-	-	-
PMP / PTP 450b	X	-	-	-	X	X*	-	-	-	-
PMP 450i	-	X	-	X	-	-	X	X	X	-
PMP 450i SM	-	X	-	X	-	-	X	X	X	-
PTP 450i	-	X	-	X	-	-	X	X	X	-
PMP 450m 5 Ghz	-	X	-	-	-	-	-	-	X	-
PMP 450m 3 Ghz	-	-	-	-	-	-	-	-	-	X

*Mode 100 Base T uniquement (non Gigabit)

Le cordon d'alimentation CA est fourni séparément de l'alimentation. Des variantes régionales sont disponibles.

Les variantes d'alimentations sont illustrées ci-dessous :

Type d'injecteur d'alimentation

Alimentation PMP / PTP 450 / 450b

Entrée CA : 90-264 VCA, 0,5 A rms

Sortie CC : 30,0 VCC +/-5%, 15 W,
500 mA max

Prises RJ 45 : deux (entrée données et sortie données & alimentation)

Vues de l'injecteur d'alimentation



Injecteur d'alimentation CA (pour 450i)

Entrée alimentation CA : Entrée alimentation CA (alimentation principale)

Port ODU : Prise RJ45 pour connexion du câble Cat. 5e vers ODU

Port réseau local : Prise RJ45 pour connexion du câble Cat. 5e vers équipement réseau



Injecteur d'alimentation amélioré CA+CC

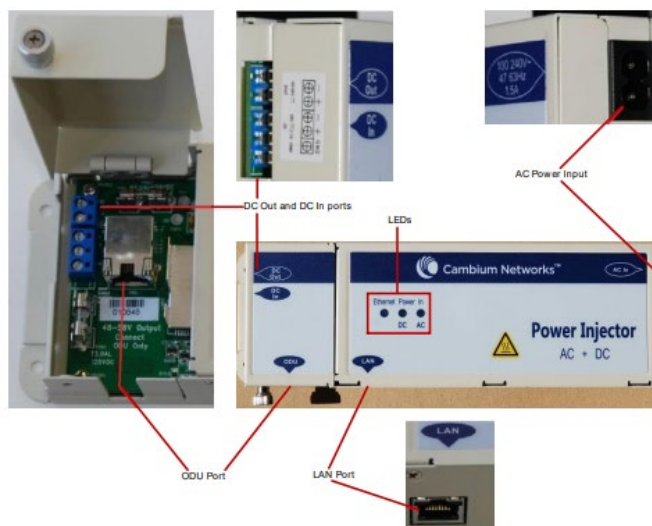
Entrée alimentation CA : 100-240 V 47-63 Hz 1,5 A

Entrée CC : Entrée alternative alimentation CC

ODU : Prise RJ45 pour connexion du câble Cat. 5e vers ODU

Réseau local : Prise RJ45 pour connexion du câble Cat. 5e vers réseau

Sortie CC : Sortie tension CC vers deuxième PSU (pour alimentation redondante) ou vers une NIDU



Le module d'abonné PMP 450 intégré à gain élevé renforcé (numéros de pièce Cambium C035045C014A et C036045C014A), lorsqu'encapsulé dans un boîtier 450i, contient des circuits 450 qui doivent être alimentés en 30 VCC. Toute tentative d'alimenter ces modules d'abonné en 56 VCC endommagera le module.

Unités de protection contre les surtensions

Le tableau suivant regroupe les supresseurs de tension adaptés pour chaque modèle de radio série 450.

Modèle	30 VCC	56 VCC	C00000L065A Suppresseur de surtension Gigabit	600SSH (100 BASE T)	C00000L033A Suppresseur de surtension Gigabit	C000065L007B Kit d'unité de protection contre la	C00000L114A Kit d'unité de protection contre la
PMP 450 AP	X	-	X	X	-	-	-
PMP 450 SM	X	-	X	X	-	-	-
PTP 450	X	-	X	X	-	-	-
PMP 450b	X	-	X	X	-	-	-
PMP 450i	-	X	-	-	X	X	-

PMP 450i SM	-	X	-	-	X	X	-
PTP 450i	-	X	-	-	X	X	-
PMP 450m AP 5 Ghz	-	X	-	-	-	X	-
PMP 450m AP 3 Ghz	-	-	-	-	-	-	X

Cambium Networks DÉCONSEILLE l'utilisation des tubes à décharge gazeuse pour la protection contre les surtensions avec les plateformes PMP 450i et PMP 450b.

Autres accessoires

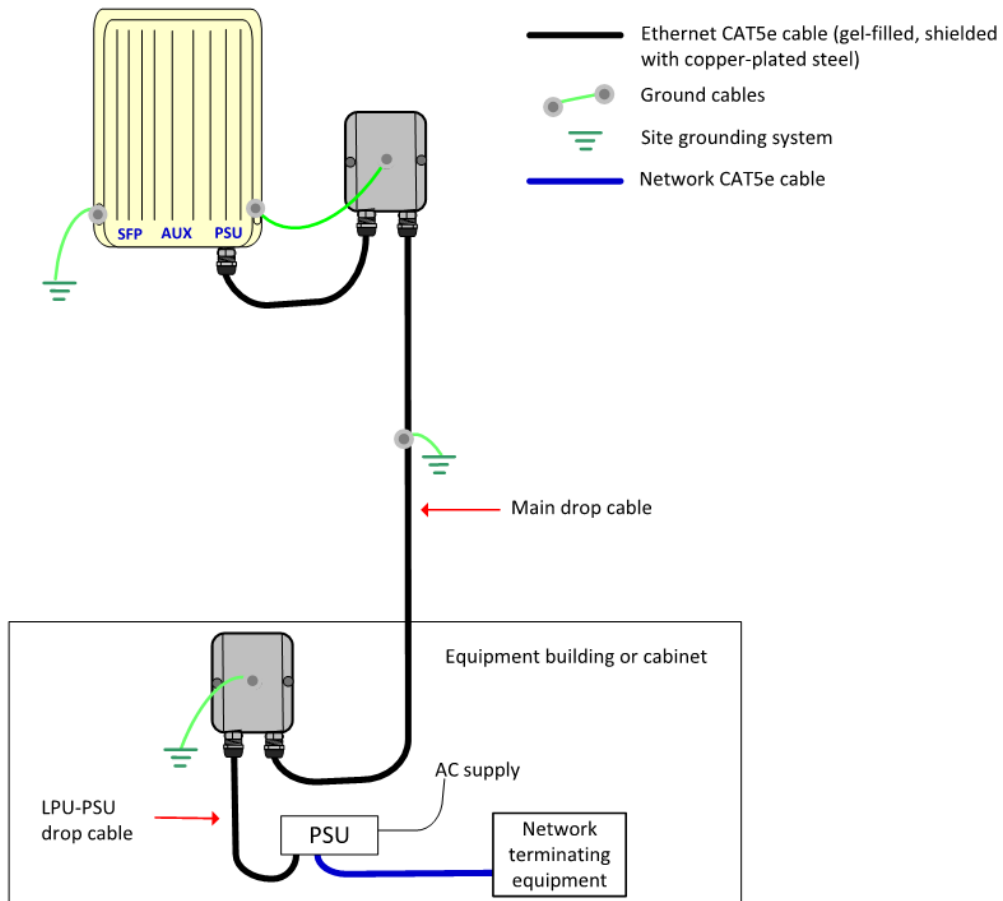
Cambium Networks offre une vaste gamme d'accessoires supplémentaires tels que cordons d'alimentation, câbles de liaison, câbles de masse, etc. Veuillez-vous référer au guide utilisateur ou au guide de commande pour davantage d'informations.

7. Installation et connexion de l'équipement

Référez-vous à la réglementation nationale et assurez-vous de l'obtention de toutes les licences réglementaires appropriées avant le déploiement. Avant l'installation, l'emplacement des ODU doit être soigneusement planifié afin de s'assurer d'une bonne couverture radio et de la réduction des interférences. Utiliser les outils de planification radio tels que LINKPlanner pour optimiser la performance de la liaison. L'installation et la mise en service de l'équipement doivent être confiées à un personnel formé.

Installation basique des ODU

1. Préconfigurer l'ODU tel que décrit dans la section suivante (section 8)
2. L'installation de l'ODU doit se faire hors tension
3. Situer les ODU de façon à ce que la liaison ne soit pas obstruée par l'horizon radio et qu'aucun objet ne pénètre la zone de Fresnel.
4. Pour les PA, utiliser une carte locale, une boussole, et/ou un GPS afin de déterminer la direction d'orientation selon la disposition de secteur. Appliquer le degré d'inclinaison approprié.
5. Connecter les câbles à l'ODU selon le diagramme ci-dessous
 - a. Connecter un câble Ethernet entre le port « data » ou « LAN » de l'alimentation PoE et le port Ethernet d'un ordinateur ad hoc.
 - b. Connecter le câble de liaison entre l'ODU et le port « data + power » ou « ODU » de l'alimentation
 - c. Adapter les suppresseurs de tension comme indiqué et connecter les câbles de masse tel que nécessaire
 - d. Connecter l'alimentation à une source d'alimentation
 - e. Étanchéifier les connexions externes



Installation d'un module d'abonné (SM) série 450

Des étapes supplémentaires sont nécessaires pour s'assurer que le SM est aligné correctement.

- Une procédure d'alignement approximatif doit être effectuée à l'aide de l'outil d'alignement ou de la tonalité d'alignement.
- Vérification de la liaison PA vers SM en vérifiant le niveau de puissance, les tests de liaison, et en vérifiant le décompte de session et d'enregistrement.

Se référer au guide utilisateur pour plus d'informations.

Installation de liaisons PTP série 450

La processus pour installer un « Backhaul Master » (BHM) est similaire à celui décrit pour un point d'accès. Lors de l'installation du « Backhaul Slave », une procédure d'alignement approximatif doit être effectuée à l'aide de l'outil d'alignement ou de la tonalité d'alignement. Se référer au guide utilisateur pour plus d'informations.

Consulter le guide utilisateur ou les supports de formation pour la série 450 pour obtenir davantage d'informations sur les configurations de montage, le câblage et l'alignement. Les guides sont disponibles sur le site web de Cambium Networks, voir les liens à la fin de ce document.

8. Configuration d'une radio série 450 conformément aux réglementations nationales

Cambium recommande de préconfigurer les unités « à l'atelier » avant leur déploiement.

Connecter l'unité série 450 à l'alimentation PoE et à un PC ad hoc.

- Connecter un câble Ethernet entre le PC et le port « data » sur l'alimentation PoE
- Connecter un autre câble Ethernet entre le port « data and power » de l'alimentation PoE et la radio 450
- Brancher le cordon d'alimentation de l'alimentation PoE dans une prise secteur et mettre celle-ci sous tension
- Vérifier que le voyant d'alimentation sur l'alimentation PoE s'allume.

Sur la radio série 450 -

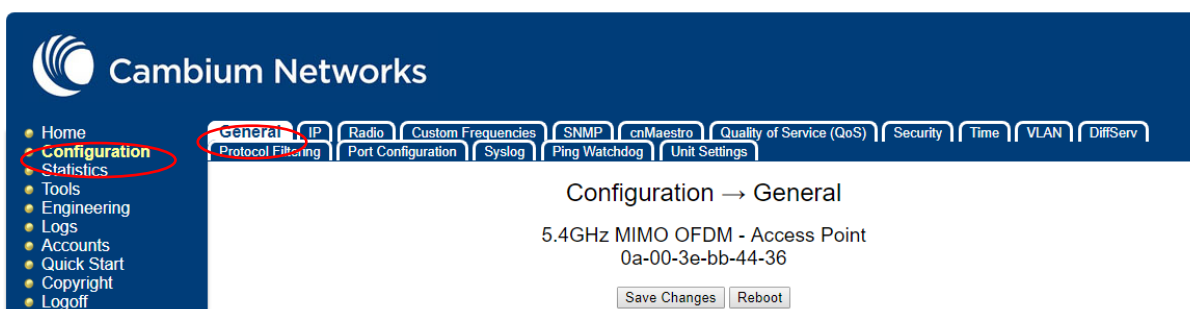
- Vérifier que le voyant orange Ethernet commence à clignoter avec dix clignotements lents.
- Vérifier que le voyant Ethernet s'allume ensuite en continu.

Sur le PC, configurer le port Ethernet avec une adresse IP statique dans la plage 169.254.X.X, en évitant 169.254.0.0 et 169.254.1.1 169.254.1.3 constitue un bon exemple d'adresse IP. Entrer le masque de sous-réseau 255.255.0.0. Laisser vide la passerelle par défaut.

- En utilisant un navigateur web, ouvrir la page à l'adresse par défaut 169.254.1.1 et se connecter.
- Entrer votre nom d'utilisateur (le nom d'utilisateur par défaut est admin) et votre mot de passe (le mot de passe par défaut est admin) et cliquez sur Connexion.

Le menu de l'interface web 450 et la page de résumé système s'affichent.

Sur le menu gauche de la page web, sélectionner « Configuration » tel qu'illustré :



The screenshot shows the Cambium Networks web interface. On the left, a navigation menu is visible with 'Configuration' highlighted. The main content area displays the 'General' configuration page for a radio unit. The page title is 'Configuration → General'. Below the title, the configuration details are shown: '5.4GHz MIMO OFDM - Access Point' and '0a-00-3e-bb-44-36'. At the bottom of the configuration area, there are two buttons: 'Save Changes' and 'Reboot'.

Cliquer sur l'onglet « Général » et faire défiler vers le bas jusqu'à la fenêtre « Paramètres régionaux » :



Region :	Europe
Country :	Other

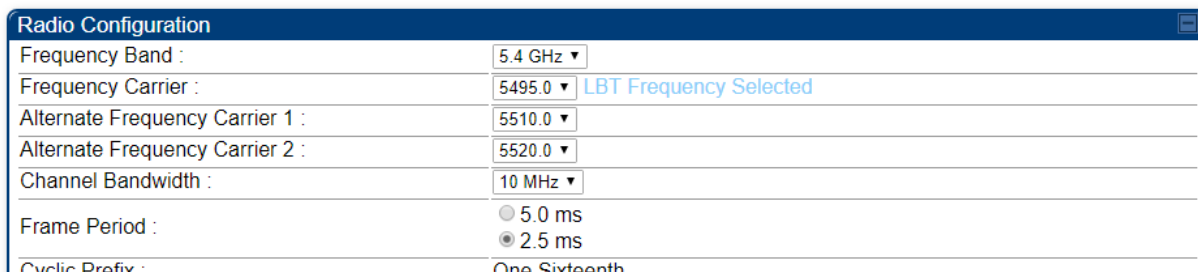
Vérifier que le code « région » correspond à la région où l'unité sera déployée. Si ce n'était pas le cas, sélectionner la région correcte, sinon, ne pas poursuivre.

Cliquer sur le champ « Pays » et dans le menu déroulant, sélectionner le pays où l'unité sera déployée, ou « Autre » s'il n'est pas dans la liste.

Cliquer sur le bouton « Enregistrer les modifications », puis « Réamorcer ».

Après le réamorçage, se connecter à nouveau.

Se rendre à l'onglet « Radio ». Dans le menu « Configuration radio », sélectionner la bande de fréquences à utiliser, puis sélectionner « Enregistrer les modifications » et « Réamorcer ». Après le réamorçage, se reconnecter et entrer à nouveau dans le menu « Configuration radio » afin de sélectionner une porteuse appropriée et la bande passante. Pour les versions de la radio destinées à l'UE, vous devrez peut-être sélectionner une porteuse « alternative » pour les bandes 5,4 Ghz et 5,7 Ghz.



Frequency Band :	5.4 GHz
Frequency Carrier :	5495.0 LBT Frequency Selected
Alternate Frequency Carrier 1 :	5510.0
Alternate Frequency Carrier 2 :	5520.0
Channel Bandwidth :	10 MHz
Frame Period :	<input type="radio"/> 5.0 ms <input checked="" type="radio"/> 2.5 ms
Cyclic Prefix :	One Sixteenth

Cliquer sur le bouton « Enregistrer les modifications », puis « Réamorcer ».

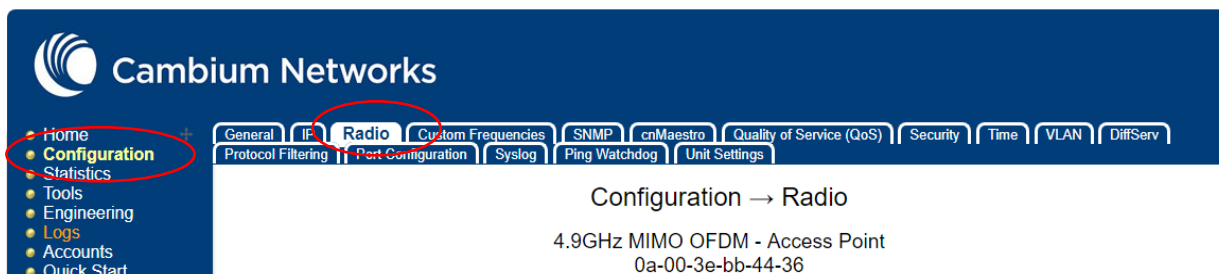
Après le réamorçage, revenir au menu « Contrôle de la puissance » via l'onglet « Radio ». Vérifier que la PIRE est réglée à la valeur correcte pour le pays dans lequel est déployée la radio. Ne pas continuer avant d'avoir réglé la PIRE conformément à la réglementation nationale. Si vous configurez une unité connectée, suivez les instructions dans la section « Unités connectées série 450i 5 Ghz - étapes supplémentaires ».

Étapes suivantes de configuration

Procédez maintenant aux autres réglages pour l'unité 450. Sélectionner et suivre le menu « Démarrage rapide » pour procéder à la configuration minimale requise pour le fonctionnement.

Unités connectées - étapes supplémentaires

Afin de configurer une radio connectée pour qu'elle fonctionne avec l'antenne externe, le gain d'antenne doit être entré dans l'interface « Radio ». Depuis la page web 450, sélectionner « Configuration » dans le menu gauche, puis l'onglet « Radio ».



Cambium Networks

- Home
- Configuration**
- Statistics
- Tools
- Engineering
- Logs
- Accounts
- Quick Start

General | IP | **Radio** | Custom Frequencies | SNMP | cnMaestro | Quality of Service (QoS) | Security | Time | VLAN | DiffServ

Protocol Filtering | Port Configuration | Syslog | Ping Watchdog | Unit Settings

Configuration → Radio

4.9GHz MIMO OFDM - Access Point
0a-00-3e-bb-44-36

Aller à la fenêtre « Contrôle de la puissance » et entrer le gain de l'antenne externe en dBi dans le deuxième champ de saisie. La radio réglera automatiquement la puissance de transmission en conséquence (un réamorçage peut toutefois être nécessaire).

Power Control	
Transmit Power :	11 dBm (Range: -30 — +20 dBm) (8 dBm V / 8 dBm H)
External Gain :	16 dBi (Range: 0 — +40 dBi)
SM Receive Target Level :	-52 dBm (Range: -77 — -37 dBm) combined power
Adjacent Channel Support :	<input type="radio"/> Enabled <input checked="" type="radio"/> Disabled

Vérifier que la valeur affichée dans le champ « puissance de transmission », lorsqu'additionné au « gain externe », ne dépasse pas la puissance rayonnée (PIRE) autorisée selon la réglementation nationale.

Noter que l'interface graphique web 450 est restreinte de façon à ne pas autoriser de gains d'antenne excessifs.

9. Antennes externes

Antennes externes recommandées

Cambium Networks recommande les antennes suivantes pour utiliser avec les unités connectées PMP 450/450i AP :

- Numéro de pièce Cambium 85009324001 - antenne 5 Ghz pour secteur 90 degrés, gain 17 dBi
- Numéro de pièce Cambium C030045D901A - antenne double oblique 3,3-3,8 Ghz pour secteur 90 degrés.

Pour les applications PTP 450i connectée 5 Ghz, Cambium Networks recommande les antennes paraboliques suivantes.

Numéro de pièce Cambium	Description
RDH4503B	5,25-5,85 GHz 2 pieds (0,6 m), 29,0 dBi, double-polarisation, pol h & pol v, avec ajustements fins
RDH4504B	5,25-5,85 GHz 3 pieds (0,9 m), 32,5 dBi, double-polarisation, pol h & pol v
RDH4505B	5,25-5,85 GHz 4 pieds (1,2 m), 34,9 dBi, double-polarisation, pol h & pol v
RDH4506B	5,25-5,85 GHz 6 pieds (1,8 m), 37,9 dBi, double-polarisation, pol h & pol v
RDH4508B	5,25-5,85 GHz 2 pieds (0,6 m), 28,8 dBi, haute performance, double-polarisation
RDH4509B	5,25-5,85 GHz 3 pieds (0,9 m), 32,3 dBi, haute performance, double-polarisation
RDH4510B	5,25-5,85 GHz 4 pieds (1,2 m), 34,7 dBi, haute performance, double-polarisation
RDH4511B	5,25-5,85 GHz 6 pieds (1,8 m), 37,7 dBi, haute performance, double-polarisation

Antennes alternatives pour les unités connectées

Les unités connectées 5 Ghz série 450 sont conçues pour être connectées à une antenne à double polarisation, utilisant la polarisation verticale et horizontale (VH).

Pour les unités connectées série 450 3 Ghz, il est recommandé d'utiliser une antenne externe à double polarisation avec double polarisation oblique.

Les radios série 450i / 450 connectées ont été testées concernant la conformité à la réglementation de l'UE avec les types d'antennes listées ci-dessous. Le gain maximum de chaque antenne est indiqué. Vous pouvez utiliser des antennes d'un gain équivalent ou inférieur et du même type d'antenne. Pour l'UE, ne pas utiliser d'antenne avec un gain supérieur. Afin de réduire les interférences radio potentielles avec les autres utilisateurs, le type d'antenne et son gain doivent être choisis de telle sorte que la puissance isotrope rayonnée équivalente (PIRE) ne soit pas supérieure à ce qui est nécessaire pour la réussite des communications.

Type d'antenne	Gain d'antenne du fabricant (dBi)			
	Bande 4,9 GHz	Bande 5,1 GHz	Bande 5,4 GHz	Bande 5,8 GHz
Antenne parabolique 1,8 m (6')	37,2	37	-	38,1
Antenne parabolique 1,2 m (4')	-	-	34,9	-
Plate	28	28,5	28,5	28,5
Sectorisée	17	17	17	17
Omnidirectionnelle	13	13	13	13

10. Autres Accessoires disponible auprès de Cambium Networks

Synchronisation GPS

Cambium offre une capacité de synchronisation Global Positioning System (GPS) afin de limiter l'auto-interférence du réseau. Le point d'accès série 450 (AP) ou Backhaul Master accepte une entrée de synchronisation GPS depuis un « Générateur de synchronisation cnPulse » ou un « module GPS universel ». Ces unités peuvent assurer la synchronisation d'un nombre maximal de deux radios. Pour les situations où plus de deux radios sont colocalisées, un CMM (module de gestion de grappes) peut être employé pour distribuer la synchronisation à plusieurs radios.

cnPulse et GPS universel (UGPS)

L'unité cnPulse ou UGPS permet de fournir la synchronisation réseau pour les réseaux de plus petite dimension pour lesquels un CMM ne serait pas rentable. Ces unités de synchronisation fonctionnent avec toutes les radios série 450. Elles ont une empreinte réduite et sont faciles à déployer.



Module de gestion de grappes (CMM)

Le CMM fournit la distribution de la synchronisation Global Positioning System (GPS) au PA et à tous les modules d'abonné (SM) associés. Le CMM distribue la tension, la synchronisation GPS et les connexions réseau pour une grappe de PA. Le CMM peut être équipé d'un commutateur interne ou commandé sans commutateur afin que l'opérateur réseau puisse installer le commutateur de son choix. Un CMM peut communiquer avec diverses ODU de PA différentes situées sur la même tour, ainsi que les ODU Point-à-point (PTP), fournissant ainsi la connectivité pour le site entier. Le CMM permet de connecter jusqu'à huit radios colocalisées et une alimentation Ethernet. Une unité GPS externe est nécessaire pour fournir la synchronisation au CMM.

CMM5

Le CMM5 (Module de gestion de grappes) est la dernière génération de solutions pour la distribution de signaux de synchronisation TDD et d'alimentation sur Ethernet (PoE) sur le terrain. Le CMM5 s'appuie sur une conception modulaire avec injecteurs individuels 4 ports et un contrôleur optionnel permettant la gestion à distance.

Les caractéristiques principales du CMM5 incluent :

- Support pour l'Ethernet gigabit (1000BaseT)

- Modulaire et évolutif de 4 ports à 32 ports
- Entrée 48 VCC +/- directe (des alimentations CA/CC optionnelles sont disponibles auprès de Cambium Networks)
- Utilise l'UGPS Cambium Networks comme source de synchronisation
- Entrées d'alimentation doubles résilientes



11. Exploitation dans l'UE

Bandes de fréquences, Puissance maximale de fonctionnement, Distance de sécurité

Unités 5 Ghz

Au sein de l'UE, les produits de la série 450 PMP 5 GHz fonctionnent sur les bandes de fréquences suivantes jusqu'à la puissance maximale indiquée :

Bande de fréquences de fonctionnement	Norme UE	Limite de puissance maximale (PIRE)	Usage permis	Unités 5 GHz supportant cette bande de fréquences
5 470 - 5 725 MHz	EN 301 893	1 Watt / 30 dBm	Disponible pour usage général dans tous les pays de l'UE	Toutes les séries 450
5 725 - 5 875 MHz	EN 302 502	4 Watts / 36 dBm	Autorisé dans certains pays de l'UE, consulter les notes 1 - 2	Toutes les séries 450

Note 1 : Le fonctionnement sur la bande 5,8 GHz n'est pas autorisé dans les pays européens suivants : AT, BG, CZ, CY, FR, HR, IT, LU, LV, NL, PL, TR. Dans les autres pays, des licences gouvernementales peuvent être nécessaires pour autoriser le fonctionnement, veuillez vérifier le site Internet de votre gouvernement national.

Note 2 : La radio applique les allocations de fréquences nationales, et les réglages de puissance et de DFS appropriés pour chaque code pays.

Pour les produits 450 5 Ghz déployés au sein de l'UE, la distance minimale de sécurité entre l'équipement et les personnes est de 25 cm.

Note : dans le cas où une unité connectée est utilisée avec une antenne à gain élevé, l'installateur devra calculer la distance de sécurité minimale en fonction du gain de l'antenne

Unités 3 Ghz

Au sein de l'UE, les produits de la série 450 PMP 3 GHz fonctionnent sur les bandes de fréquences suivantes jusqu'à la puissance maximale indiquée :

Bande de fréquences de	Norme UE	Limite de puissance	Usage permis	Unités 3 GHz prenant en charge
------------------------	----------	---------------------	--------------	--------------------------------

fonctionnement		maximale (PIRE)		cette bande de fréquences
3 410 - 3 800 MHz	EN 302 326-1	501 W/57 dBm	Il s'agit d'une bande nécessitant une licence au sein de l'UE.	Voir la note 2
	EN 302 326-2		Voir la note 1	

Note 1 : Vous devez obtenir une licence de la part de votre organisme national chargé des licences avant d'effectuer le déploiement de l'unité. La licence devra spécifier la fréquence autorisée, la bande passante ainsi que la puissance maximale à utiliser. Configurer l'équipement en conséquence.

Note 2 : Pour les pays européens, la fréquence de fonctionnement pour les variantes 3 GHz PMP 450i et 3 GHz PMP 450m est de 3 410 MHz à 3 800 MHz ; pour le 3,5 Ghz PMP 450 SM elle est de 3 410 Mhz à 3 600 Mhz ; pour le 3,65 Ghz PMP 450 SM elle est de 3 550 Mhz à 3 800 Mhz.

Pour les produits 450m déployés au sein de l'UE, la distance minimale de sécurité entre l'équipement et les personnes est de 2,3 mètres.

Pour tous les autres produits de la famille 450 déployés au sein de l'UE, la distance minimale de sécurité entre l'équipement et les personnes est de 50 cm.

Note : dans le cas où une unité connectée est utilisée avec une antenne à gain élevé, l'installateur devra calculer la distance de sécurité minimale en fonction du gain de l'antenne

Fonctionnement dans un pays de la zone UE – Restrictions et conditions d'autorisation d'utilisation.

- L'équipement radio doit être uniquement utilisé à l'extérieur.
- La série 450 de produits Cambium peut être configurée pour fonctionner sur des bandes de fréquence sous licence ou exemptes de licence sous réserve de la planification des fréquences de chaque pays. Les Opérateurs/Utilisateurs finaux doivent s'assurer que l'équipement est installé et fonctionne conformément aux réglementations applicables dans le pays d'utilisation et obtenir toutes les licences et tous les permis nécessaires.

Déclaration UE simplifiée de conformité

Par les présentes, le fabricant, Cambium Networks Ltd, déclare que les équipements radio de type :

- | | |
|------------------------|-----------------------|
| - 5 GHz PMP 450i | - 3.5 GHz PMP 450 SM |
| - 5 GHz PTP 450i | - 3.65 GHz PMP 450 SM |
| - 5 GHz 450b Mid-Gain | - 3 GHz PMP 450i |
| - 5 GHz 450b High-Gain | - 3 GHz PMP 450m |
| - 5 GHz PMP 450m | |

sont conformes aux dispositions de la Directive UE 2014/53. Le texte intégral de la déclaration UE de conformité est disponible en ligne à l'adresse suivante : http://www.cambiumnetworks.com/eu_dofc

Directive déchets d'équipements électriques et électroniques (DEEE)



Merci de ne pas vous débarrasser de vos équipements ou accessoires électriques et électroniques avec vos déchets ménagers. Dans certains pays ou régions, des systèmes de collecte ont été mis en place pour gérer les déchets d'équipements électriques et électroniques. Pour les pays se trouvant au sein de l'Union européenne, merci de contacter le représentant de votre fournisseur d'équipement local ou le Centre d'assistance Cambium Networks pour obtenir des informations concernant les systèmes de collecte des déchets dans votre pays.

12. Cambium Networks

Cambium Networks est fournisseur de solutions fixes à large bande et à micro-ondes de qualité professionnelle pour ses clients du monde entier. Nos solutions sont déployées dans des milliers de réseaux dans plus de 153 pays, nos technologies innovantes fournissent une connectivité fiable, sécurisée et rentable facile à déployer qui ont fait la preuve de performances exceptionnelles.

Nos solutions radio Point à point (PTP) primées fonctionnent dans les bandes de fréquences licenciées, sans licence et à usage défini, y compris des solutions FIPS 140-2 pour le marché fédéral américain. Nos solutions PTP de conception robuste pour offrir 99,999 % de disponibilité présentent un historique impeccable pour fournir une connectivité haut débit fiable, dans les environnement RF les plus exigeants même au-delà de la ligne de vision.

Nos solutions flexibles Point à multipoint (PMP) fonctionnent dans les bandes de fréquences licenciées, sans licence et fédérales, pour la mise en place de réseaux d'accès fiables, sécurisés et rentables. Avec plus de trois millions de modules déployés dans les réseaux dans le monde, nos solutions d'accès PMP font leurs preuves jour après jour dans l'accès résidentiel, comme alternative aux lignes spécialisées, pour la vidéo surveillance et les applications de réseaux intelligents.

Les solutions de Cambium Networks sont des leaders incontestés et respectés dans l'industrie haut débit sans fil. Nous concevons, déployons et apportons des solutions innovantes de connectivité de données, voix et vidéo qui assurent les communications de la vie, et permettent l'essor de la croissance personnelle, commerciale et communautaire pratiquement partout dans le monde.

Guides utilisateur :	http://www.cambiumnetworks.com/guides
Formation technique :	https://learning.cambiumnetworks.com
Site web d'assistance :	https://support.cambiumnetworks.com
Site web principal :	http://www.cambiumnetworks.com
Demandes d'ordre commercial :	solutions@cambiumnetworks.com
Demandes liées à l'assistance :	https://support.cambiumnetworks.com
Liste de numéros d'appel :	http://www.cambiumnetworks.com/contact-us/
Adresse :	Cambium Networks Limited, Linhay Business Park, Eastern Road, Ashburton, Devon, TQ13 7UP Royaume-Uni

1. Einleitung

Vielen Dank, dass Sie sich für eine Cambium-Networks-Lösung der Serie 450 entschieden haben. Diese Kurzanleitung soll den Anwendern ein umfassendes Verständnis für die Hardware des 450-Geräts, die Installationsmethoden, die ersten Anmeldeverfahren sowie die Sicherheits- und Garantieinformationen liefern.

Diese Quickstart-Anleitung gilt für alle Geräte der Serie 450.

2. Produktbeschreibung

Die Funklösungen der Serie 450 von Cambium Networks unterstützen die Datenübertragung über Point-to-Multipoint- (PMP) und Point-to-Point- (PTP) Mikrowellenverbindungen. Dieses Funkmodul (als "Outdoor Unit" oder ODU bezeichnet) ist nur für die professionelle Anwendung in stationären Außeninstallationen bestimmt.

PMP (Point-to-Multipoint)

Das Funkmodul PMP 450 besteht aus einem Access Point (AP) und Multiple Subscriber Modul (SM)-Outdoor Units (ODUs). Die Funkverbindung arbeitet auf einem einzelnen Frequenzkanal in jede Richtung unter Verwendung von Time Division Duplex (TDD). Der AP ist als angeschlossene Einheit zum Anschluss an eine externe Antenne oder als integrierte Einheit mit einer Sektorantenne erhältlich.

Der SM ist als anschlussfertige Einheit zum Anschluss an eine externe Antenne oder als Einheit mit integrierter Richtantenne erhältlich.

PTP (Point-to-Point)

Das Funkmodul PTP 450 besteht aus zwei BH (Backhaul)-ODUs. Um eine Funkverbindung zwischen zwei BH-Funkmodulen herzustellen, muss der Endnutzer ein Modul als BHM (Backhaul Master) und ein Modul als BHS (Backhaul Slave) konfigurieren.

Die Funkverbindung arbeitet auf einem einzelnen Frequenzkanal mit Time Division Duplex (TDD). Das PTP-Gerät dieser Serie ist als anschlussfertige Einheit für eine externe Antenne oder als Einheit mit integrierter Richtantenne erhältlich.



3. Installation & Betrieb

Die Installation und der Betrieb dieses Produkts sind komplex. Cambium empfiehlt daher eine professionelle Installation und Verwaltung des Systems, um sicherzustellen, dass der Betrieb den regionalen Vorschriften am Installationsort des Produktes entspricht. Bitte beachten Sie die Hinweise in dieser Kurzanleitung. Weitere Informationen zur Installation und zum Betrieb von PMP- und PTP-Anlagen finden Sie im Produkthandbuch (siehe Links am Ende dieser Kurzanleitung).

Der Installateur muss über die erforderlichen Fähigkeiten, Kenntnisse und Erfahrungen verfügen, um die Installation durchführen zu können, und ist für Folgendes verantwortlich:

Kenntnis der aktuell geltenden nationalen Vorschriften, einschließlich Vorschriften für Funk, elektrische Installationen, Überspannungsschutz und für Arbeiten in der Höhe

Installation gemäß den Anleitungen und Hinweisen von Cambium Networks

Bestätigung, dass die Einstellungen der Anlage den nationalen oder regionalen Bestimmungen entsprechen

Vertrautheit mit dem Schulungsmaterial auf der Webseite von Cambium Networks (siehe Link unten)

Bitte beachten Sie bei der Installation die folgenden wichtigen Hinweise. Dadurch wird die Anlage in Übereinstimmung mit den nationalen gesetzlichen Bestimmungen gebracht und der legale Betrieb sichergestellt.

1. Stellen Sie sicher, dass die Geräte der Serie 450 mit dem neuesten Anwendungscode ausgestattet sind. Die Softwareversion muss Canopy 16.x.x oder höher sein, um die nationalen Bestimmungen einzuhalten. Die Software ist auf der Cambium Support Center- Website verfügbar, siehe Link unten.

4. Informationen zur Produktsicherheit

Beachten Sie folgende Sicherheitshinweise:

Stellen Sie sicher, dass die Outdoor Unit (ODU) und die Konstruktion, an der die ODU montiert ist, den maximalen Windgeschwindigkeiten am vorgesehenen Standort standhalten.

Während der Installation darf das Gerät nicht mit Strom versorgt werden. Trennen Sie das Gerät vor der Wartung immer von der Stromquelle.

In der Nähe der Antenne sind bei eingeschaltetem Transmitter schädliche RF-Strahlungspegel vorhanden.

Beachten Sie den unten angegebenen Mindestsicherheitsabstand für 450er-Produkte.

Stellen Sie sicher, dass das Gerät so installiert ist, dass keine Strahlengefährdung für den Menschen besteht.

Seien Sie besonders vorsichtig, wenn Sie in Höhen arbeiten. Beachten Sie die nationalen

Vorschriften für das Arbeiten in der Höhe. Setzen Sie geschultes und fachkundiges Personal ein.

Extreme Vorsicht gilt bei der Arbeit in der Nähe von Stromleitungen.

Lassen Sie die Verkabelung immer von einem qualifizierten Elektroinstallateur durchführen.

Die Outdoor Unit (ODU) muss ordnungsgemäß geerdet sein.

Verwenden Sie für die Stromversorgung der Geräte immer die angegebenen Netzteile (PSU) für die Cambium Serie 450. Wenn Sie das von Cambium bereitgestellte Netzteil nicht verwenden, kann dies zu Geräteschäden und Sicherheitsrisiken führen.

Setzen Sie keine Power-Injektoren von Cambium Networks im Outdoorbereich ein

Anlagen, Geräte und Personen müssen vor elektrostatischer Entladung geschützt werden:

durch das Anbringen von Geräten in einer Blitzschutzzone;

durch die Installation geeigneter Blitzableiter, um den Stromstoß über einen separaten und bevorzugten Weg zur Erde zu leiten.

es wird empfohlen, Erdung und Überspannungsschutz zu verwenden. Verwenden Sie die nach Cambium spezifizierte Überspannungsableiter.

Das Gehäuse der Outdoor Unit kann während des Betriebs heiß werden.

Verwenden Sie Außenkabel für Verbindungen, die der Außenumgebung ausgesetzt sind. Installieren Sie von Cambium empfohlene Kabel.

5. Standardinstallation

In der Grundkonfiguration (Abbildung 1) wird der Datenpfad vom Netzwerkgerät (Ethernet- Schnittstelle) über einen Power-over-Ethernet-Injektor (PoE) (in der Abbildung mit 'PSU' bezeichnet) und dann über ein Kupferkabel zur ODU (PSU-Port) geleitet.

Blitzschutzeinheiten sollten ebenfalls wie gezeigt eingerichtet werden. Eine typische Mast- oder Turm- sowie verschiedene Wandinstallationen sind unten dargestellt (Abbildung 2, 3 und 4).

Zusätzliche Informationen zu weiteren Konfigurationen finden Sie im Benutzerhandbuch. Platzieren Sie das Funkmodul immer in einer Blitzschutzzone:

Das Gerät muss niedriger angebracht sein als die Spitze des Turms oder des Gebäudes sowie dessen Blitzfangeinrichtung

- Der Turm oder das Gebäude muss korrekt geerdet sein

Abbildung 1: Grundkonfiguration

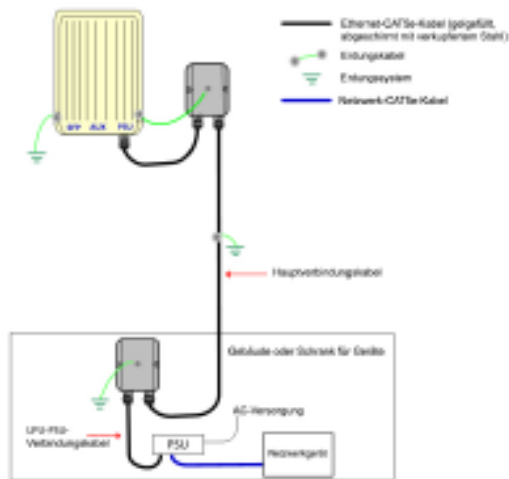


Abbildung 2: Mast- oder Turminstallation

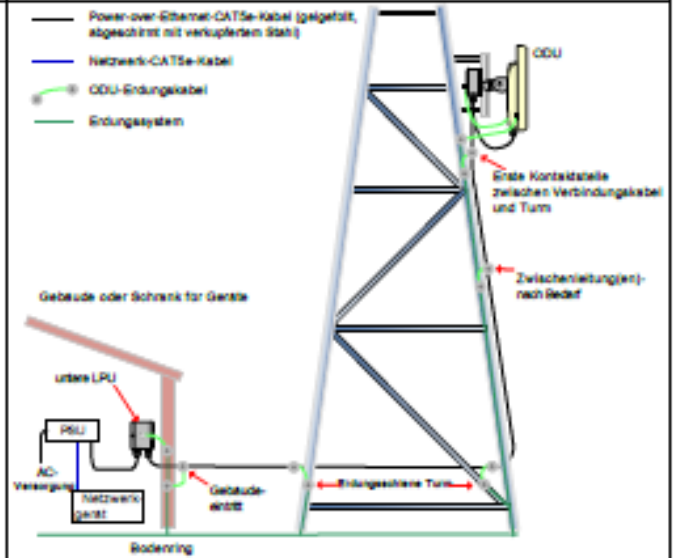


Abbildung 3: Wandinstallation (450i)

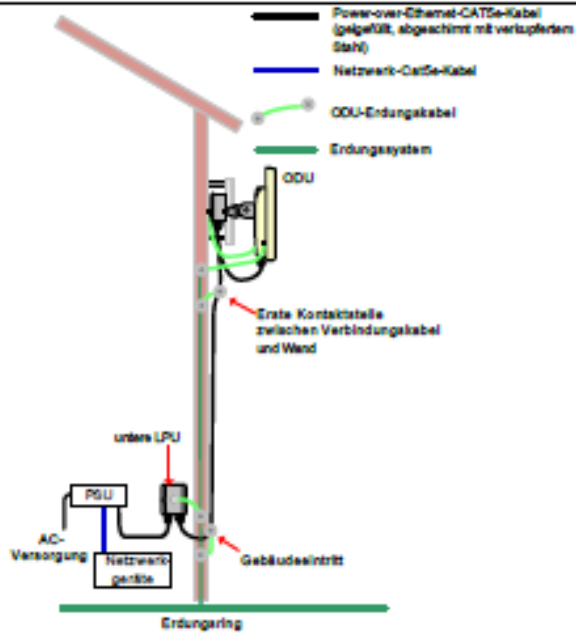
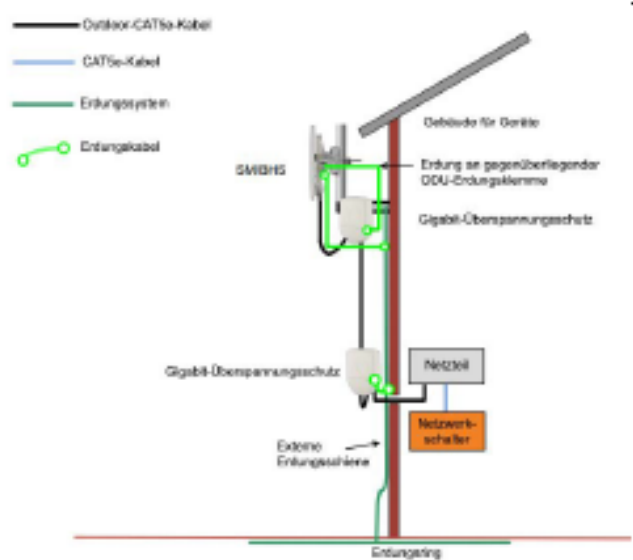


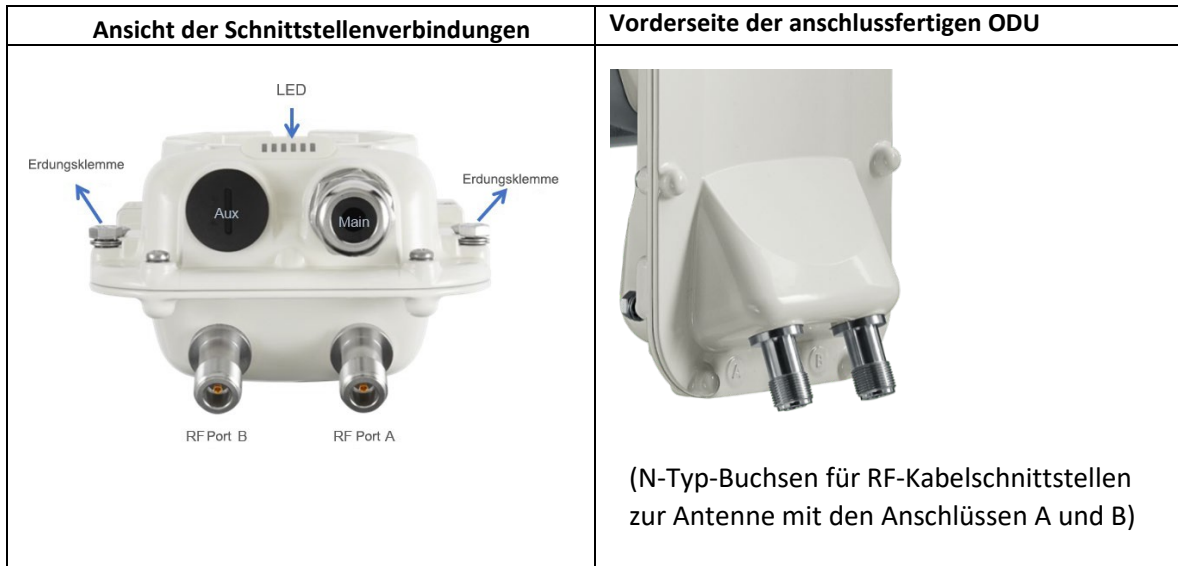
Abbildung 4: Wandinstallation (450 SM)



6. Hardware-Übersicht

PMP-/PTP-450i-Schnittstellen

Die Ethernet- und Sync/AUX-Anschlüsse befinden sich jeweils auf der Rückseite der ODU mit integrierter Antenne sowie der anschlussfertigen ODU. Die anschlussfertige ODU wird hier gezeigt:



Port Name	Anschlüsse	Schnittstelle	Beschreibung
Main PSU	RJ45	PoE Input	Power-Over-Ethernet (PoE)
		10/100/1000BASE-T Ethernet	Daten
Sync/AUX	RJ45	10/100/1000BASE-T Ethernet	Daten
		PoE Output	Standard IEEE802.3at PoE
		Sync Input/Output	Anschluss und Stromversorgung des UGPS Sync-Eingangs

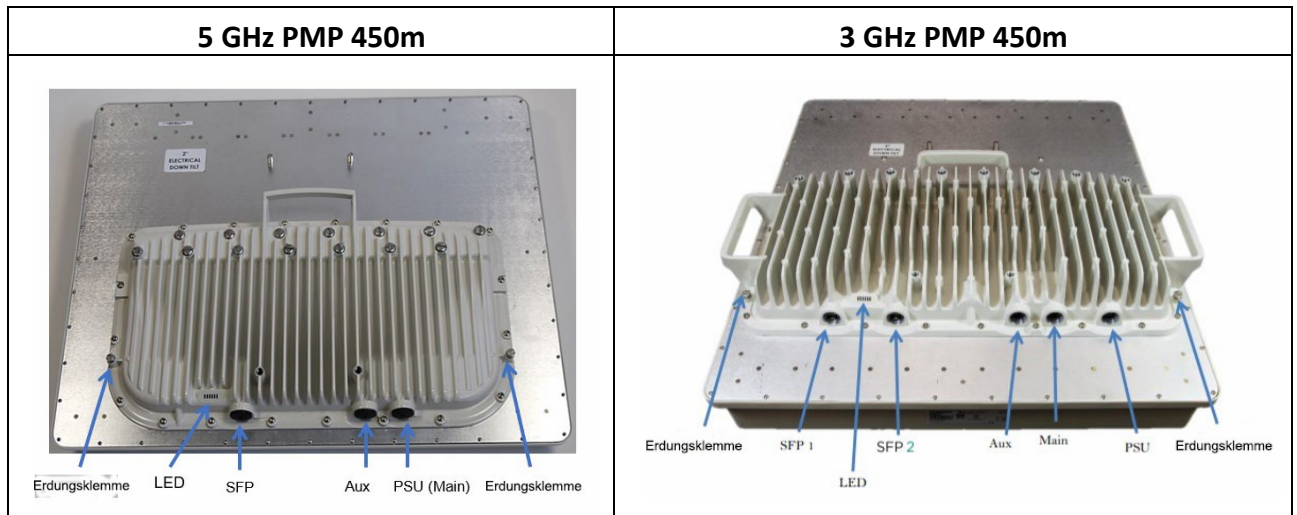
PMP-/PTP-450b-Schnittstellen

Das Bild zeigt die Mid-Gain-Einheit. Die Schnittstellen entsprechen denen der High-Gain-Einheit.



Port Name	Anschlüsse	Schnittstelle	Beschreibung
PSU/Ethernet Port	RJ45	PoE Input	Power-Over-Ethernet
		10/100/1000BASE-T Ethernet	Daten
Audio AUX Port	Standard 3,5 mm Kopfhörer	Ausrichtungssignaleingabe	3,5 mm Audiobuchse für den Ausrichtungston

PMP-450m-AP-Schnittstellen



5 GHz PMP 450m AP-Schnittstellendefinition

Portname	Steckverbinder	Schnittstellenfunktion	Beschreibung
PSU (Main)	RJ45	PoE-Input	Power-over-Ethernet (PoE)
		10/100/1000 BaseT-Ethernet	Daten
Aux	RJ45	10/100 BaseT Ethernet	Daten
		PoE-Output	Standard IEEE802.3at PoE
		Sync Input/Output	Anschluss und Stromversorgung des UGPS Sync-Eingangs
SFP	SFP	2.5 Gbit/s Kupfer-Ethernet und 1 Gbit/s Kupfer	Daten- und Managementdienste Das Plug-In-SFP-Modul separat zu erwerben
		Erdungsklemmen	AWG 10 Kupferdraht

3 GHz PMP 450m AP-Schnittstellendefinition

Portname	Steckverbinder	Schnittstellenfunktion	Beschreibung
PSU	4-Pin	DC-Netzeingang	40 V – 60 V plus Cambium Sync-over-Power
Main	RJ45	Ethernet	10/100/1000Base-T Ethernet, plus Cambium Sync-over-Data
Aux	RJ45	Ethernet	10/100Base-T Ethernet mit PoE-Out
		Synchronisation	UGPS-Synchronisationsport
		Ausrichtung	Audiotöne
SFP 1	SFP	Ethernet	SFP-Modul
SFP 2	SFP	Ethernet	SFP-Modul (Single oder Dual)
Erdungsklemmen		AWG 10 Kupferdraht	Zur Erdung des Geräts


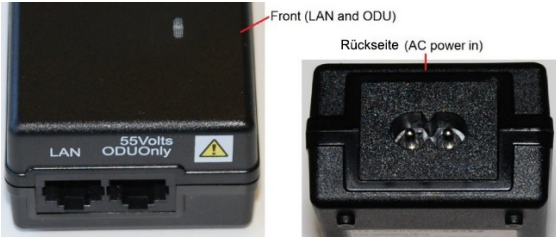
Stromversorgung

Die ODU wird von einem PoE-Injektor mit Strom versorgt, mit Ausnahme der 3 GHz PMP 450m, bei der Strom und Daten separat bereitgestellt werden. Alle Injektoren/Netzteile der Cambium Networks-Reihe sind für die Verwendung im Innenbereich ausgelegt. In der folgenden Tabelle sind die Stromversorgungsvarianten von Cambium Networks aufgeführt, die für jedes der 450er- Funkmodule verfügbar sind.

Modell	30 VDC	56 VDC	802.3af	802.3at	N000900L001B/C Gigabit (15W)	N000900L002A 100 Base T (15W) -	N000000L034A (AC) – 30W, 56VDC	N000065L001C (AC) – 60W	C000065L002C (AC+DC) – 100W	N000000L054B (AC) 54V 240W
PMP 450 AP	X	-	-	-	X	X*	-	-	-	-
PMP 450 SM	X	-	-	-	X*	X*	-	-	-	-
PTP 450	X	-	-	-	X*	X*	-	-	-	-
PMP / PTP 450b	X	-	-	-	X	X*	-	-	-	-
PMP 450i AP	-	X	-	X	-	-	X	X	X	-
PMP 450i SM	-	X	-	X	-	-	X	X	X	-
PTP 450i	-	X	-	X	-	-	X	X	X	-
5 GHz PMP 450m	-	X	-	-	-	-	-	-	X	-
3 GHz PMP 450m	-	-	-	-	-	-	-	-	-	X

* Nur 100 Base T-Modus (kein Gigabit)

Das AC-Netzkabel wird separat vom Netzteil geliefert. Regionale Varianten sind verfügbar. Die Stromversorgungsvarianten werden unten angezeigt:

Power-Injektor-Typ	Power-Injektor-Ansichten
<p>PMP-/PTP 450-/450b-Netzteil AC-Input: 90-264 VAC, 0.5A rms DC-Output: 30.0 Vdc +/-5%, 15W, 500 mA max. RJ-45-Buchsen: 2 (Data-In und Data- & Power-Out)</p>	
<p>AC-Power-Injektor (für 450i) AC-Power-In: AC-Stromeingang (Hauptversorgung) ODU-Port: RJ45-Buchse zum Anschluss des Cat-5e-Kabels zur ODU LAN-Port: RJ45-Buchse zum Anschluss des Cat-5e-Kabels an Netzwerkgeräte</p>	

AC+DC-Enhanced-Power-Injektor

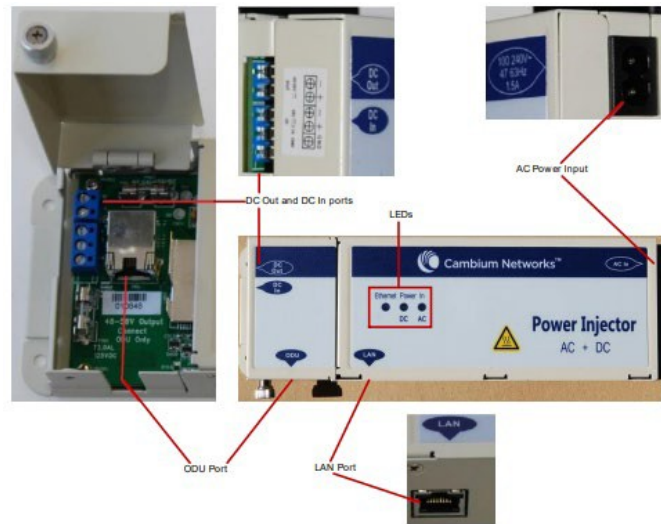
AC-Stromeingang: 100-240V, 47-63Hz, 1.5A

DC-In: Alternativer DC-Stromversorgungsingang

ODU: RJ45-Buchse zum Anschließen eines Cat5e-Kabels an die ODU

LAN: RJ45-Buchse zum Verbinden des Cat-5e-Kabels mit dem Netzwerk

DC-Out: DC-Power-Output für eine zweite PSU (zur Redundanz der Stromversorgung) oder an eine NIDU



Warnung

Das integrierte, robuste, hochverstärkte PMP 450-Subscribermodul (Cambium-Teilenummern C035045C014A und C036045C014A) in einem Typ-450i-Gehäuse, enthält 450 Schaltkreise, die über 30 VDC versorgt werden müssen. Ein Betrieb dieser Geräte mit 56 VDC kann diese beschädigen.

Überspannungsschutzgeräte

In der folgenden Tabelle sind geeignete Überspannungsableiter für jedes Funkmodul der Serie 450 aufgeführt.

Modell	30 VDC	56 VDC	C000000L065A Gigabit Ethernet Überspannungsschutz	600SSH (100 BASE T)	C000000L033A Gigabit Ethernet Überspannungsschutz	C000065L007B Blitzschutz-Kit	C000000L114A DC Blitzschutz-Kit
PMP 450 AP	X	-	X	X	-	-	-
PMP 450 SM	X	-	X	X	-	-	-
PTP 450	X	-	X	X	-	-	-
PMP 450b	X	-	X	X	-	-	-
PMP 450i AP	-	X	-	-	X	X	-
PMP 450i SM	-	X	-	-	X	X	-
PTP 450i	-	X	-	-	X	X	-
5 GHz PMP 450m AP	-	X	-	-	-	X	-
3 GHz PMP 450m AP	-	-	-	-	-	-	X

Cambium Networks empfiehlt bei den Geräten PMP 450i oder PMP 450b NICHT den Einsatz eines Überspannungsschutzes auf der Basis von Gasentladungsröhren.

Sonstiges Zubehör

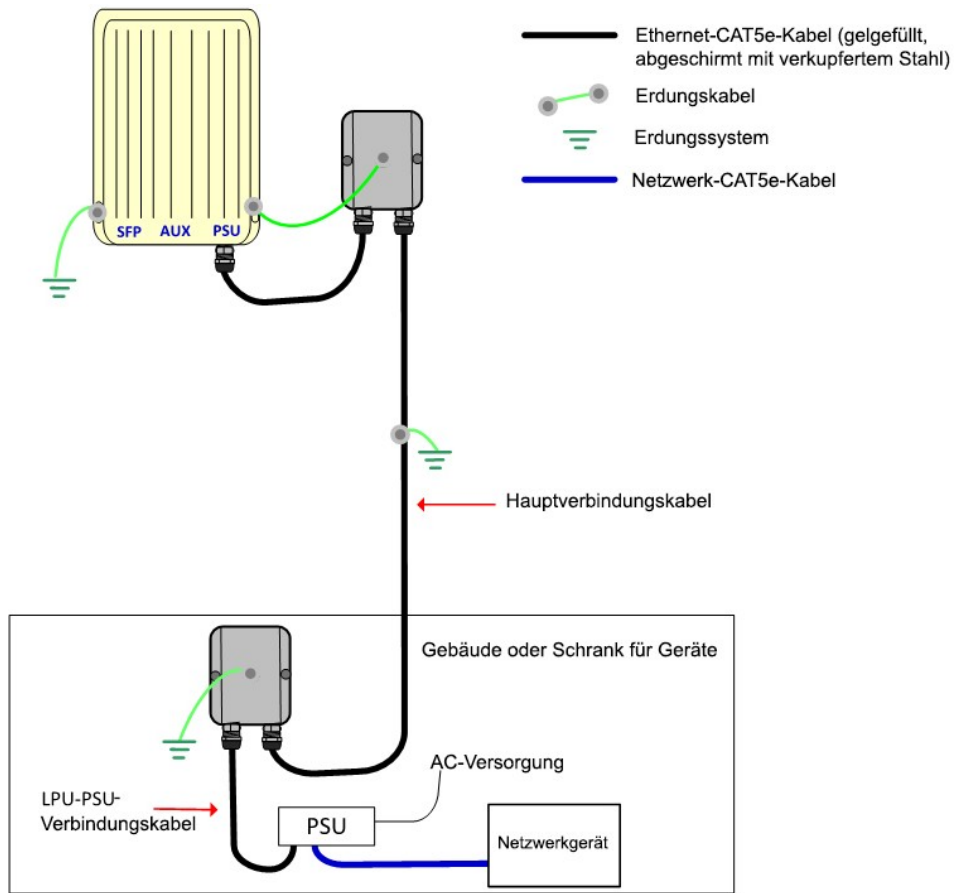
Cambium Networks bietet eine Vielzahl von Zubehör an, z. B. Netzkabel, Verbindungskabel, Erdungskabel usw. Weitere Informationen finden Sie im Benutzer- oder im Bestellhandbuch.

7. Installation und Verbindung der Geräte

Überprüfen Sie die nationalen Bestimmungen und stellen Sie sicher, dass vor dem Einsatz alle entsprechenden gesetzlichen Lizenzen erworben werden. Vor der Installation muss die Position der ODUs sorgfältig geplant werden, um eine gute Funkabdeckung zu gewährleisten und Interferenzen zu minimieren. Verwenden Sie Funkplanungstools wie LINKPlanner, um die Verbindungsleistung zu optimieren. Die Installation und Inbetriebnahme der Geräte sollte von geschultem Personal durchgeführt werden.

Grundinstallation der ODUs

1. Konfigurieren Sie vorab die ODU wie im nächsten Abschnitt (Abschnitt 8) beschrieben.
2. Installieren Sie die ODUs im ausgeschalteten Zustand
3. Positionieren Sie die ODUs so, dass die Verbindung nicht vom Radiohorizont blockiert wird und keine Objekte die Fresnel-Zone durchdringen.
4. Verwenden Sie für APs eine örtliche Karte, einen Kompass und/oder ein GPS-Gerät, um die Zeigerichtung gemäß der Sektoranordnung zu bestimmen. Wenden Sie die entsprechende Neigung nach unten an.
5. Verbinden Sie die Kabel mit der ODU gemäß der nachstehenden Abbildung
 - a. Schließen Sie ein Ethernet-Kabel vom "Data"- oder "LAN"-Port des PoE-Netzteils an den Ethernet-Port eines geeigneten Laptops an.
 - b. Schließen Sie das Verbindungskabel von der ODU an den Port "Data + Power" oder "ODU" des Netzteils an.
 - c. Montieren Sie die Überspannungsableiter wie gezeigt und schließen Sie die Erdungskabel nach Bedarf an.
 - d. Schließen Sie das Netzteil an eine Stromquelle an.
 - e. Sorgen Sie dafür, dass externe Anschlüsse wasserdicht sind.



Installation des Teilnehmermoduls (Subscriber Modul - SM) der Serie 450

Es sind zusätzliche Schritte erforderlich, um sicherzustellen, dass das SM korrekt ausgerichtet ist.

- Eine grobe Ausrichtung muss mit dem Ausrichtungswerkzeug oder dem Ausrichtungston ausgeführt werden.
- Kontrolle der AP-zu-SM-Verbindung durch Überprüfung des Leistungspegels, Verbindungstests und Überprüfung der Registrierung sowie Sitzungsteilnehmer.

Weitere Informationen finden Sie im Benutzerhandbuch.

Installation von PTP-Verbindungen der Serie 450

Die Installation eines "Backhaul Master" (BHM) ähnelt der eines Access Points. Bei der Installation des "Backhaul Slave" (BHS) muss eine grobe Ausrichtung mit dem Ausrichtungswerkzeug oder dem Ausrichtungston ausgeführt werden. Weitere Informationen finden Sie im Benutzerhandbuch.

Weitere Informationen zu Montagevarianten, Verkabelung und Ausrichtung finden Sie im Benutzerhandbuch oder im Schulungsmaterial der Serie 450. Die Handbücher sind auf der Cambium Networks-Webseite verfügbar, siehe Links am Ende des Dokuments.

8. Konfiguration eines Funkmoduls der Serie 450 unter Berücksichtigung nationaler Vorschriften

Cambium empfiehlt, dass die Einheiten vor dem Einsatz vorkonfiguriert werden. Schließen Sie das Gerät der Serie 450 an das PoE-Netzteil und einen geeigneten PC an.

- Schließen Sie ein Ethernet-Kabel vom PC an den "Data"-Port der PoE-Versorgung an
- Schließen Sie ein weiteres Ethernet-Kabel vom PoE-Port "Data + Power" an das

Funkmodul an.

- Stecken Sie das PoE-Netzkabel in eine Steckdose und schalten Sie es ein.
- Stellen Sie sicher, dass die Power-LED am PoE-Netzteil leuchtet.

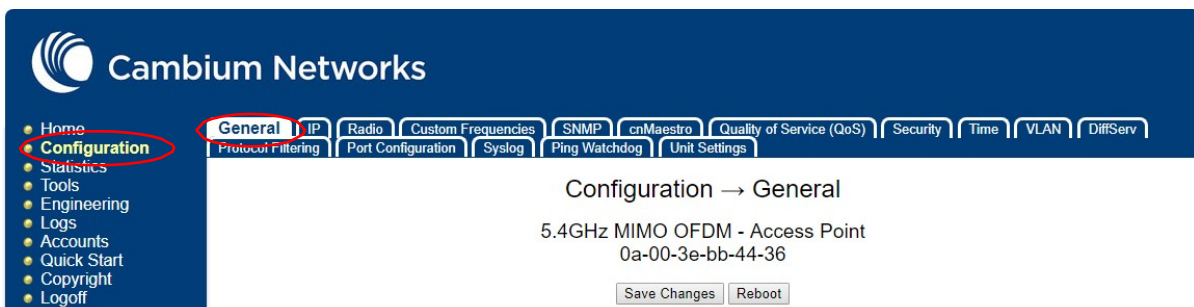
Am Funkmodul Serie 450:

- Vergewissern Sie sich, dass die orangefarbene Ethernet-LED mit 10 langsamen Blinksignalen beginnt.
- Stellen Sie sicher, dass die Ethernet-LED anschließend kontinuierlich leuchtet.

Konfigurieren Sie auf dem PC den Ethernet-Port für eine statische IP-Adresse unter Verwendung des Bereichs 169.254.X.X. Vermeiden Sie 169.254.0.0 und 169.254.1.1. Ein gutes Beispiel ist 169.254.1.3. Geben Sie eine Subnetzmaske von 255.255.0.0 ein. Lassen Sie das Standardgateway leer.

- Rufen Sie über den Webbrowser die Standardadresse 169.254.1.1 auf und melden Sie sich an.
- Geben Sie den Benutzernamen (werkseitig vorgegebener Benutzername ist admin) und das Kennwort (werkseitig voreingestelltes Kennwort ist admin) ein und klicken Sie auf "Login".

Auf der Weboberfläche wird das Menü des Funkmoduls 450 und die Systemübersicht angezeigt. Wählen Sie links im Menü die Option "Configuration" aus:



Klicken Sie auf den Reiter "General" und scrollen Sie runter bis zum 'Region Settings'-Fenster:



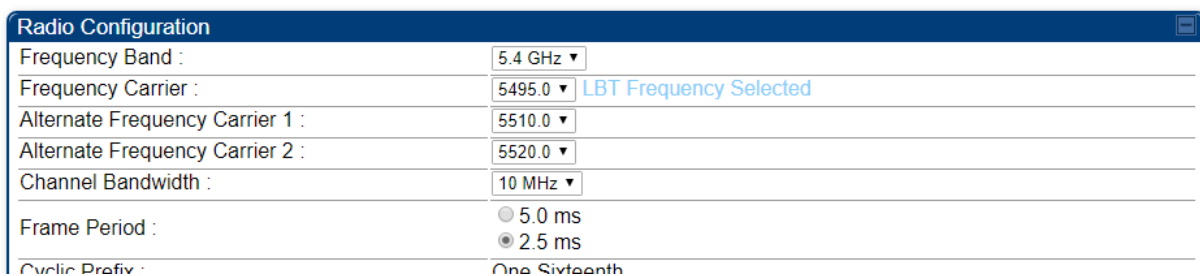
Region Settings	
Region :	Europe ▼
Country :	Other ▼

Stellen Sie sicher, dass die Auswahl im Feld "Region" mit der Region übereinstimmt, in der die Einheit bereitgestellt werden soll. Fahren Sie nicht fort, bis die richtige Region eingestellt ist.

Klicken Sie in das Feld "Country", und wählen Sie aus der Dropdown-Liste das Land aus, in dem die Einheit bereitgestellt werden soll. Ist Ihr Land nicht aufgeführt, wählen Sie "Other".

Klicken Sie auf die Schaltfläche "Save Changes" und anschließend auf "Reboot". Melden Sie sich nach dem Neustart erneut an.

Wechseln Sie im Menü auf die Registerkarte "Radio". Wählen Sie unter "Radio Configuration" das gewünschte Frequenzband aus, klicken Sie auf "Save Changes" und "Reboot". Melden Sie sich nach dem Neustart erneut an und rufen Sie wieder das Menü "Radio Configuration" auf. Dort wählen Sie geeignete "Frequency Carrier" sowie "Channel Bandwidth" aus. Bei der EU-Variante des Funkmoduls müssen eventuell "Alternate Frequency Carrier" für die 5,4-GHz- und 5,7-GHz-Bänder ausgewählt werden.



Radio Configuration	
Frequency Band :	5.4 GHz ▼
Frequency Carrier :	5495.0 ▼ LBT Frequency Selected
Alternate Frequency Carrier 1 :	5510.0 ▼
Alternate Frequency Carrier 2 :	5520.0 ▼
Channel Bandwidth :	10 MHz ▼
Frame Period :	<input type="radio"/> 5.0 ms <input checked="" type="radio"/> 2.5 ms
Cycle Prefix :	One Sixteenth

Klicken Sie auf "Save Changes" und anschließend auf "Reboot".

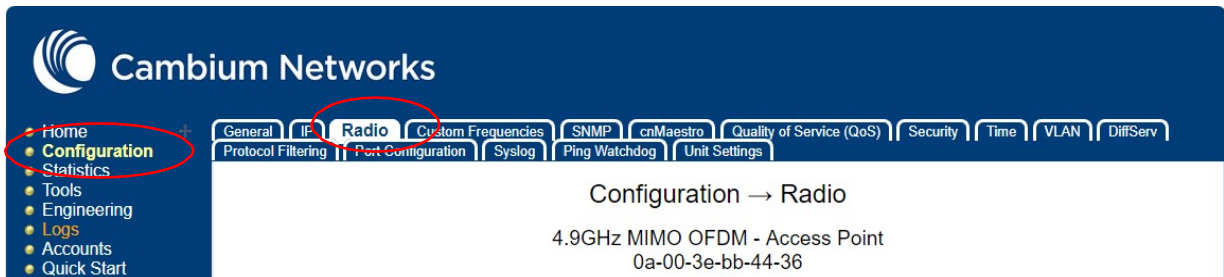
Navigieren Sie nach dem Neustart über die Schaltfläche "Radio" zurück zum Menü „Power Control“. Vergewissern Sie sich, dass die EIRP auf den korrekten Wert für das entsprechende Land eingestellt ist. Fahren Sie erst dann fort, wenn die EIRP innerhalb der nationalen Bestimmungen liegt. Wenn Sie eine anschlussfertige Einheit konfigurieren, befolgen Sie die Anweisungen im Abschnitt "5 GHz 450i series connectorized units - additional steps".

Weitere Einrichtungsschritte

Stellen Sie weitere Parameter des Funkmoduls ein. Wählen und befolgen Sie das "Quick Start"- Menü. Darin können Sie die für den Betrieb erforderliche Mindestkonfiguration festlegen.

Anschlussfertige Einheiten - zusätzliche Schritte

Um ein anschlussfertiges Funkmodul für den Betrieb mit einer externen Antenne zu konfigurieren, muss der Antennengewinn in die "Radio"-Benutzeroberfläche eingegeben werden. Wählen Sie auf der Webseite der 450-Lösung im linken Menü "Configuration" und dann die Registerkarte "Radio".



Geben Sie im "Power Control"-Fenster bei "External Gain" die Verstärkung (dBi) der externen Antenne ein. Die Sendeleistung wird vom Funkmodul automatisch entsprechend eingestellt (dabei ist eventuell ein Neustart des Funkmoduls erforderlich).

Power Control	
Transmit Power :	<input type="text" value="11"/> dBm (Range: -30 — +20 dBm) (8 dBm V / 8 dBm H)
External Gain :	<input type="text" value="16"/> dBi (Range: 0 — +40 dBi)
SM Receive Target Level :	<input type="text" value="-52"/> dBm (Range: -77 — -37 dBm) combined power
Adjacent Channel Support :	<input type="radio"/> Enabled <input checked="" type="radio"/> Disabled

Vergewissern Sie sich anschließend, dass der Wert im Feld "Transmit Power" die nach nationalen Bestimmungen zulässige Strahlungsleistung (EIRP) nicht überschreitet.

Beachten Sie, dass die Benutzeroberfläche eingeschränkt ist. Sie können keine übermäßigen Antennengewinne eingeben.

9. Externe Antennen

Empfohlene externe Antennen

Cambium Networks empfiehlt die folgenden Antennen zur Verwendung mit den anschlussfertigen AP-Einheiten PMP 450/450i:

- Cambium-Teilenummer 85009324001 - 5-GHz-Antenne für 90-Grad-Sektor, 17dBi-Gewinn
- Cambium-Teilenummer C030045D901A - Dual-Slant-Antenne mit 3,3-3,8 GHz für den 90-Grad-Sektor

Für 5-GHz-Anwendungen der anschlussfertigen ODU PTP 450i empfiehlt Cambium Networks die folgenden Parabolantennen:

Cambium-Teilenummer	Beschreibung
RDH4503B	5.25-5.85GHz 2-ft (0.6m), 29.0 dBi, Dual-Polarisation, H-Pol & V-Pol, mit Feinabstimmung
RDH4504B	5.25-5.85GHz 3-ft (0.9m), 32.5 dBi, Dual-Polarisation, H-Pol & V-Pol
RDH4505B	5.25-5.85GHz 4-ft (1.2m), 34.9 dBi, Dual-Polarisation, H-Pol & V-Pol
RDH4506B	5.25-5.85GHz 6-ft (1.8m), 37.9 dBi, Dual-Polarisation, H-Pol & V-Pol

RDH4508B	5.25-5.85GHz 2-ft (0.6m), 28.8 dBi, High-Performance-Dual-Polarisation
RDH4509B	5.25-5.85GHz 3-ft (0.9m), 32.3 dBi, High-Performance-Dual-Polarisation
RDH4510B	5.25-5.85GHz 4-ft (1.2m), 34.7 dBi, High-Performance-Dual-Polarisation
RDH4511B	5.25-5.85GHz 6-ft (1.8m), 37.7 dBi, High-Performance-Dual-Polarisation

Alternative Antennen für anschlussfertige Einheiten

Anschlussfertige Einheiten (5 GHz) der Serie 450 sind für den Anschluss an eine zweipolige Antenne mit vertikaler und horizontaler (VH) Polarisation ausgelegt.

Es wird empfohlen, für anschlussfertige Einheiten (3 GHz) der Serie 450 eine externe zweipolige Antenne mit doppelter Neigungspolarisation zu verwenden.

Die anschlussfertigen Einheiten der Serie 450i/450 wurden mit den unten aufgeführten Antennentypen auf Einhaltung der EU-Richtlinien getestet. Die maximale Verstärkung jedes Antennentyps wird hier gezeigt. Antennen mit äquivalentem Gewinn oder Verlust sowie demselben Antennentyps können verwendet werden. Verwenden Sie für die EU keine Antenne mit höherem Gewinn. Um potenzielle Funkstörungen für andere Benutzer zu reduzieren, muss der Antennentyp und seine Verstärkung so gewählt werden, dass die äquivalente isotrope Strahlungsleistung (EIRP) nicht mehr ist als für eine erfolgreiche Kommunikation erforderlich.

Antennentyp	Antennengewinn des Herstellers (dBi)			
	4.9-GHz-Band	5.1-GHz-Band	5.4-GHz-Band	5.8-GHz-Band
6' Parabolantenne	37.2	37	-	38.1
4' Parabolantenne	-	-	34.9	-
Plattenantenne	28	28.5	28.5	28.5
Sektorantenne	17	17	17	17
Rundstrahlantenne	13	13	13	13

10. Von Cambium Networks erhältlichliches Zubehör

GPS-Synchronisierung

Cambium bietet die Synchronisierungsmöglichkeit über Global Positioning System (GPS), um die Eigeninterferenz des Netzwerks zu begrenzen. Die Access Points (APs) oder "Backhaul Master" der Serie 450 akzeptieren GPS-Timing-Eingaben eines "cnPulse"-Synchronisationsgenerators oder eines "Universal GPS-Moduls". Dabei können bis zu zwei Funkmodule zeitlich gesteuert werden. Liegen mehr als zwei Funkmodule nebeneinander, kann ein Cluster Management Module (CMM) verwendet werden, um die Synchronisation auf mehrere Funkmodule zu verteilen.

cnPulse und Universal GPS (UGPS)

Die cnPulse- oder UGPS-Einheit ermöglicht eine Netzwerksynchronisation für kleinere Netzwerke, in denen sich ein CMM möglicherweise nicht rentiert. Diese Synchronisationseinheiten haben eine kleine Stellfläche und sind einfach zu installieren. Darüber hinaus sind sie mit allen Funkmodulen der Cambium Serie 450 kompatibel.



Cluster Management Module (CMM)

Das CMM ermöglicht die Verteilung der GPS-Synchronisation an den AP und alle zugehörigen Subscriber Module (SMs). Zudem verteilt das Modul den Strom, GPS-Timing sowie die Netzwerkverbindungen für einen AP-Cluster. Das CMM kann mit einem internen Switch oder ohne Switch erworben werden. Ein CMM kann mit mehreren AP-ODUs, die sich im selben Turm befinden, sowie mit einer Point-to-Point (PTP)-ODU kommunizieren und so die Konnektivität einer gesamten Anlage herstellen. Darüber hinaus kann das CMM bis zu acht kombinierte Funkmodule sowie einen Ethernet-Feed verbinden. Um das CMM zeitlich zu steuern, ist ein externes GPS-Gerät erforderlich.

CMM5

Das CMM5 (Cluster Management Module) ist in diesem Bereich die neueste Generation, um TDD- Sync-Signale und Power-over-Ethernet (PoE) zu verteilen. Das modular aufgebaute CMM5 verfügt über einzelnen 4-Port-Power-Injektoren sowie einem optionalen Controller für die Fernverwaltung. Die Key-Features des CMM5 umfassen:

2. Support für Gigabit-Ethernet (1000BaseT)
3. Modular und skalierbar von 4 Ports auf 32 Ports
4. Direkter +/- 48-VDC-Eingang (optionale AC-/DC-Netzteile sind bei Cambium Networks erhältlich)
5. Verwendet UGPS von Cambium Networks als Synchronisationsquelle
6. Zwei belastbare Stromeingänge



11. Betrieb in der EU

Frequenzbänder, maximale Betriebsleistung, Sicherheitsabstand

5-GHz-Einheiten

In der EU arbeiten die 450-Lösungen der 5-GHz-PMP-Serie in den folgenden Frequenzbändern bis zur angegebenen maximalen Leistung:

Betriebsfrequenzband	EU-Standard	Maximale Leistungsgrenze(EIRP)	Zulässigkeit	5-GHz-Einheiten, die dieses Frequenzband unterstützen
5470 – 5725 MHz	EN 301 893	1 W/30 dBm	Verfügbar für den allgemeinen Gebrauch in allen EU-Ländern	Alle 450-Lösungen
5725 – 5875 MHz	EN 302 502	4 W/36 dBm	In einigen EU-Ländern zulässig, siehe Anmerkung 1 und 2	Alle 450-Lösungen

Anmerkung 1: Der Betrieb im 5,8-GHz-Band ist in folgenden europäischen Ländern nicht zulässig: AT, BG, CZ, CY, FR, HR, IT, LU, LV, NL, PL, TR. In anderen Ländern sind für den Betrieb möglicherweise staatliche Lizenzen erforderlich. Bitte überprüfen Sie die Webseite Ihrer Regierung.

Anmerkung 2: Das Funkmodul wendet für jeden Ländercode die entsprechenden nationalen Frequenzzuweisungen sowie Leistungs- und DFS-Einstellungen an.

Für in der EU eingesetzte 5-GHz-450-Geräte beträgt der Sicherheitsabstand zwischen Gerät und Mensch mindestens 25 cm.

Anmerkung: Wird eine anschlussfertige Einheit mit einer High-Gain-Antenne verwendet, muss der Installateur den minimalen Sicherheitsabstand in Abhängigkeit vom Antennengewinn berechnen.

3-GHz-Einheiten

In der EU arbeiten die 450-Lösungen der 3-GHz-PMP-Serie in den folgenden Frequenzbändern bis zur angegebenen maximalen Leistung:

Betriebsfrequenzband	EU-Standard	Maximale Leistungsgrenze(EIRP)	Zulässigkeit	3-GHz-Einheiten, die dieses Frequenzband unterstützen
3410 – 3800 MHz	EN 302 326-1 EN 302 326-2	501 W/57 dBm	Innerhalb der EU lizenziert, siehe Anmerkung 1	Anmerkung 2

Anmerkung 1: Fordern Sie vor der Installation eine Lizenz von Ihrer nationalen Genehmigungsbehörde an. Die Lizenz sollte die zulässige Frequenz, Bandbreite sowie die maximal zu verwendende Leistung angeben. Richten Sie die Geräte entsprechend ein.

Anmerkung 2: In europäischen Ländern beträgt die Betriebsfrequenz für die Varianten 3 GHz PMP 450i und 3 GHz PMP 450m: 3410 MHz bis 3800 MHz; für das 3,5 GHz PMP 450 SM gilt 3410 MHz bis 3600 MHz; für das 3,65 GHz PMP 450 SM gilt 3550 MHz bis 3800 MHz.

Für in der EU eingesetzte 450m-Geräte beträgt der Sicherheitsabstand zwischen Gerät und Mensch mindestens 2,3 Meter.

Bei allen anderen in der EU eingesetzten Produkten der 450-Serie beträgt der Sicherheitsabstand zwischen Gerät und Mensch mindestens 50 cm.

Anmerkung: Wird eine anschlussfertige Einheit mit einer High-Gain-Antenne verwendet, muss der Installateur den minimalen Sicherheitsabstand in Abhängigkeit vom Antennengewinn berechnen.

EU-Betrieb - Einschränkungen & Anforderungen für die Zulassung zur Nutzung:

7. Dieses Gerät ist nur für den Gebrauch im Freien bestimmt
8. Die 450-Produktserie kann für den Betrieb in lizenzierten oder nicht lizenzierten Frequenzbändern konfiguriert werden, die der Frequenzplanung in den einzelnen Ländern unterliegen. Betreiber/Endnutzer müssen sicherstellen, dass das Gerät in Übereinstimmung mit den für das Betriebsland geltenden Vorschriften installiert und betrieben wird. Darüber hinaus müssen sie die erforderlichen Lizenzen oder Genehmigungen einholen.

Vereinfachte EU-Konformitätserklärung

Hiermit erklärt der Hersteller Cambium Networks Ltd, dass die Funkmodule:

5 GHz PMP 450i	3.5 GHz PMP 450 SM
5 GHz PTP 450i	3.65 GHz PMP 450 SM
5 GHz 450b Mid-Gain	3 GHz PMP 450i
5 GHz 450b High-Gain	3 GHz PMP 450m
5 GHz PMP 450m	

Der vollständige Text der EU-Konformitätserklärung ist unter folgender Internetadresse verfügbar:
http://www.cambiumnetworks.com/eu_dofc

Richtlinie für Elektro- und Elektronikaltgeräte (WEEE):



Bitte entsorgen Sie elektronische und elektrische Geräte oder elektronisches und elektrisches Zubehör nicht im Hausmüll. In einigen Ländern oder Regionen wurden Sammelsysteme zur Behandlung des Abfalls von Elektro- und Elektronikgeräten eingerichtet. In den Ländern der Europäischen Union wenden Sie sich bitte an Ihren lokalen Gerätelieferanten oder das Cambium Networks Support Center, um Informationen über das Abfallsammelsystem in Ihrem Land zu erhalten.

12. Cambium Networks

Cambium Networks bietet seinen Kunden professionelle drahtlose Breitband- und Mikrowellenlösungen, die inzwischen weltweit in Tausenden von Netzwerken in über 153 Ländern eingesetzt werden. Unsere innovativen Technologien bieten zuverlässige, sichere und kostengünstige Verbindungen. Diese können einfach bereitgestellt werden und bieten nachweislich überdurchschnittliche Leistung.

Unsere preisgekrönten Point-to-Point (PTP)-Funklösungen arbeiten in lizenzierten, nicht lizenzierten und definierten Frequenzbereichen, einschließlich spezifischer FIPS 140-2- Lösungen für den U.S. Federal Market. Unsere robuste PTP-Lösungen sind für eine Verfügbarkeit von 99,999% ausgelegt und haben sich in Verbindungen bewährt, in denen sie zuverlässige High-Speed-Backhaul-Konnektivität auch in den anspruchsvollsten RF- Umgebungen ohne direkte Sichtverbindung bereitstellen.

Unsere flexiblen Point-to-Multipoint-Lösungen (PMP) arbeiten in lizenzierten, nicht lizenzierten und staatlichen Frequenzbändern. Sie bieten zuverlässige, sichere und kostengünstige Zugangsnetze. Mehr als drei Millionen weltweit eingesetzte Module bewähren sich täglich für Privathaushalte, den Austausch von Standleitungen, Videoüberwachung und Smart-Grid-Infrastrukturen.

Cambium Networks hat sich mit seinen bewährten drahtlosen Breitbandlösungen als Marktführer etabliert. Wir entwerfen, liefern und stellen Lösungen für Daten-, Sprach- und Videoverbindungen bereit, die eine tägliche

Kommunikation gewährleisten und weltweit persönliches, kommerzielles und gesellschaftliches Wachstum fördern.

Benutzerhand- bücher: Tech- nisches Training:	http://www.cambiumnetworks.com/guides
Support-Webseite:	https://learning.cambiumnetworks.com
Hauptwebseite:	https://support.cambiumnetworks.com
Kaufanfragen: Support-Anfragen: Telefonnummern:	http://www.cambiumnetworks.com/solutions@cambiumnetworks.com
Adresse:	https://support.cambiumnetworks.com
	http://www.cambiumnetworks.com/contact-us/
	Cambium Networks Limited, Linhay Business Park, Eastern Road, Ashburton, Devon, TQ13 7UP United Kingdom

1. Introducción

Gracias por adquirir los equipos de radiocomunicación de la serie 450 de Cambium Networks. Esta Guía de inicio rápido se ha creado para facilitar a los operadores la comprensión de los productos de hardware de la serie 450, los métodos de instalación, los procedimientos iniciales de inicio de sesión y la información sobre seguridad/garantía.

Esta Guía de inicio rápido es válida para todos los productos de la serie 450.

2. Descripción del producto

Los productos de radiocomunicación de la serie 450 de Cambium Networks soportan transmisión de datos a través de enlaces de microondas de punto a multipunto (PMP) y de punto a punto (PTP). Este equipo de radiocomunicación (denominado «unidad exterior» u ODU) se ha diseñado para aplicaciones profesionales y exclusivamente para instalaciones exteriores fijas.

PMP (punto a multipunto)

La plataforma de la serie PMP 450 consta de un punto de acceso (AP) y varias unidades exteriores (ODU) de módulo de suscriptor (SM). El enlace de radio funciona en un canal de frecuencia única en cada dirección utilizando el método Dúplex por división de tiempo (TDD).

El punto de acceso (AP) está disponible en forma de unidad conectorizada para una antena externa o como una unidad integrada con antena sectorial.

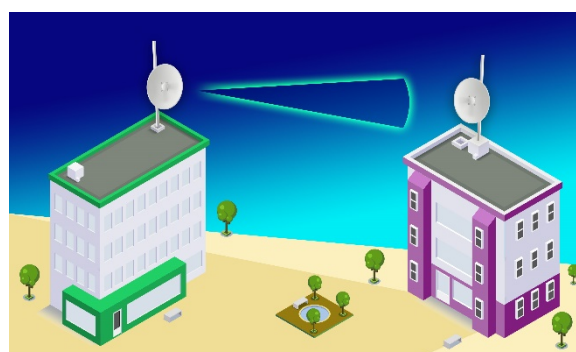
El SM está disponible en forma de unidad conectorizada para una antena externa o como una unidad integrada con antena direccional.

PTP (punto a punto)

La plataforma de la serie PTP 450 consta de dos ODU BH (red de backhaul o retorno). Para establecer un enlace de radio entre dos radios BH, el usuario final debe configurar una como BHM (maestro de red de backhaul) y la otra como BHS (esclavo de red de backhaul).

El enlace de radio funciona en un canal de frecuencia única en cada dirección utilizando el método Dúplex por división de tiempo (TDD).

La plataforma de la serie PTP está disponible en forma de unidad conectorizada para una antena externa o como una unidad integrada con antena direccional.



3. Instalación y operación

La instalación y la operación de este producto son complejas. Cambium recomienda una instalación y gestión profesional del sistema para garantizar que su operación cumple con la normativa de la región en la que está instalado el producto. Siga las instrucciones de esta Guía de inicio rápido. En la guía de usuario del producto (consulte los enlaces que hay al final de esta Guía de inicio rápido) hay más información relativa a la instalación y el funcionamiento PMP y PTP.

Asegúrese de que los instaladores tengan la competencia, los conocimientos y la experiencia adecuados para realizar la instalación, lo que incluye también:

- Conocer la legislación nacional en vigor que sea de aplicación, así como las normativas radioeléctricas, de instalaciones eléctricas y de protección contra sobretensiones y de trabajos en altura.
- Realizar la instalación de conformidad con las instrucciones de Cambium Networks.
- Confirmar que la configuración del equipo cumple la legislación nacional o regional
- Estar familiarizado con el material de formación disponible en el sitio web de Cambium Networks (véase el enlace de abajo)

Tenga en cuenta las siguientes e importantes instrucciones durante la instalación. Esto configurará el equipo de conformidad con la legislación nacional y garantizará una operación conforme a dicha ley.

- Asegúrese de que el equipo de la serie 450 dispone del código de aplicación más reciente. La versión de software debe ser Canopy 16.x.x o una versión posterior para cumplir la normativa nacional. El software está disponible en el sitio web del centro de soporte de Cambium. Consulte el enlace más abajo.

4. Información de seguridad del producto

Observe las siguientes normas de seguridad:

- Asegúrese de que la unidad exterior (ODU) y la estructura en la que está instalada pueden resistir la velocidad máxima del viento en el lugar propuesto.
- Asegúrese de que el equipo no tiene alimentación durante la instalación. Desconecte siempre el equipo de su fuente de alimentación antes de realizar cualquier trabajo de mantenimiento.
- Existirán campos de radiofrecuencia (RF) nocivos cerca de la antena cuando el transmisor esté encendido.
 - Tenga en cuenta el límite de la distancia de seguridad mínima para los productos de la serie 450 que se muestran más abajo.
 - Asegúrese de que el equipo está instalado en una posición que evite cualquier peligro de radiación sobre las personas.
- Extreme las precauciones cuando trabaje en altura. Cumpla las normativas nacionales de trabajo en altura. Trabaje con personal capacitado y competente.
- Extreme las precauciones cuando cerca de líneas eléctricas.
- Trabaje siempre con un electricista cualificado para instalar el cableado.
- La unidad exterior (ODU) debe estar correctamente conectada a tierra.
- Utilice siempre las fuentes de alimentación (PSU) específicas de la plataforma de la serie 450 para alimentar el equipo. El hecho de no utilizar la alimentación PoE especificada de Cambium podría provocar daños en el equipo y representar un riesgo para la seguridad.
 - No instale inyectores de alimentación de Cambium Networks en un entorno exterior.
- Las estructuras, el equipo y las personas deben tener protección contra descargas electrostáticas: -
 - Situando el equipo en una zona con protección contra rayos
 - instalando pararrayos adecuados para desviar la sobrecorriente a tierra a través de un recorrido sólido y preferentemente separado.
 - Se recomienda una conexión a tierra y la supresión de sobretensiones transitorias. Utilice los supresores de sobretensiones específicos de Cambium.
- La carcasa de la ODU debe estar caliente al tacto cuando está en funcionamiento.
- Utilice cables clasificados para exteriores para las conexiones que estarán expuestas al ambiente exterior. Instale los cables recomendados de Cambium.

5. Instalación típica

En la configuración más sencilla (Fig. 1), el recorrido que siguen los datos desde el equipo de red (interfaz Ethernet) se encamina a través de un inyector de alimentación PoE (indicado como «PSU» o fuente de alimentación en la figura) y después a través de un cable de cobre a la ODU (puerto PSU). Las unidades de protección contra sobretensiones también deben desplegarse como se muestra en la figura. A continuación se muestra una instalación típica de mástil o torre e instalaciones de pared (Figs. 2, 3 y 4). Consulte la guía del usuario para obtener más detalles sobre las configuraciones.

Coloque siempre el equipo de radio en una zona de protección contra rayos:-

El equipo debe estar por debajo de la parte superior de la torre o edificio o de su terminal aéreo contra rayos

La torre o el edificio deben estar correctamente conectados a tierra

Figura 1 Configuración básica

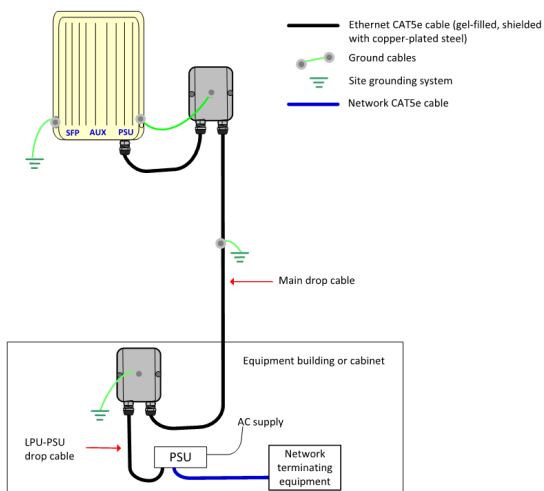


Figura 2 Instalación en mástil o torre

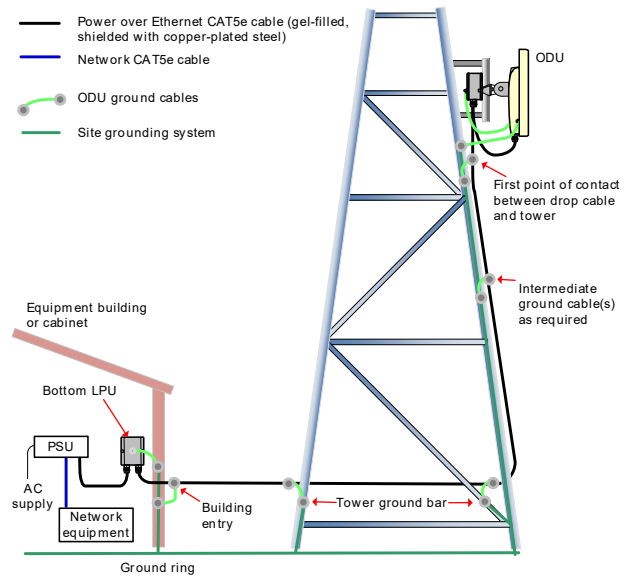


Figura 3 Instalación de pared (450i)

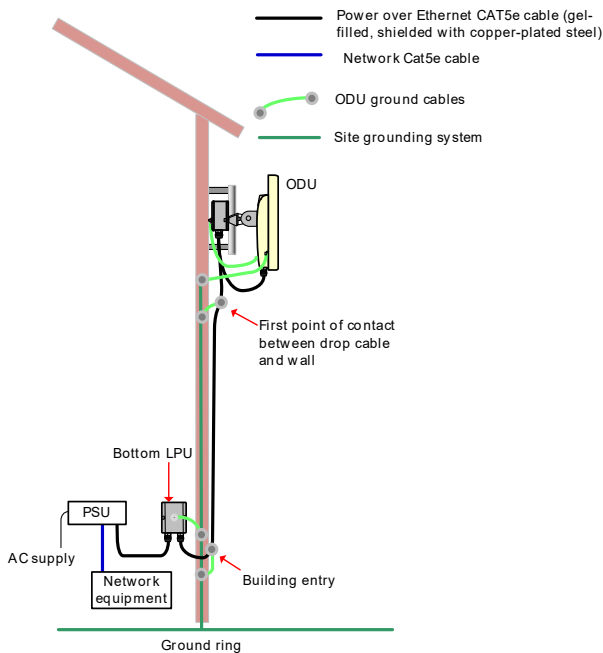
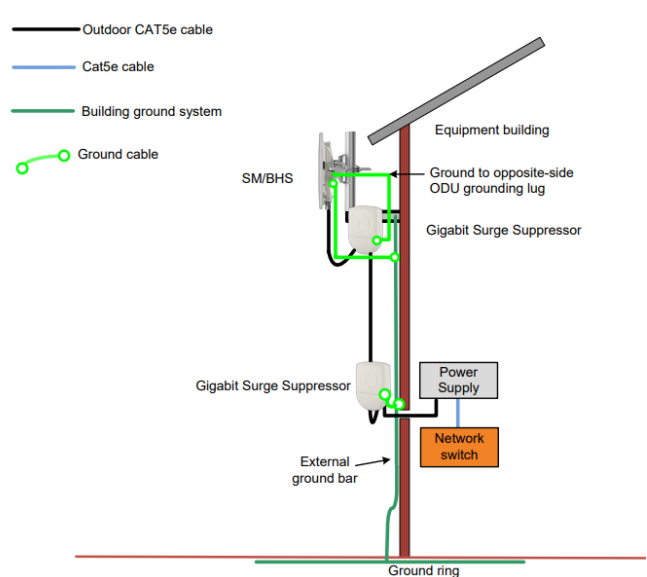


Figura 4 Instalación de pared (450 SM)



6. Vista de conjunto del hardware

Interfaces PMP/PTP 450i

Los puertos Ethernet y Sync/AUX se encuentran en la parte posterior de las ODU, en todas sus versiones integradas y conectorizadas.

La ODU conectorizada se muestra aquí.

Vista de conexiones de las interfaces



Parte frontal de la ODU conectorizada



(Puertos A y B para cables de RF a antena con conectores tipo N hembra)

Port name	Connector	Interface	Description
Main PSU	RJ45	PoE input	Power over Ethernet (PoE)
		10/100/1000BASE-T Ethernet	Data
Sync/AUX	RJ45	10/100/1000BASE-T Ethernet	Data
		PoE output	Standard IEEE802.3at PoE
		Sync input/output	Connection and powering of UGPS Sync input

Interfaces de conexión PMP/PTP 450b

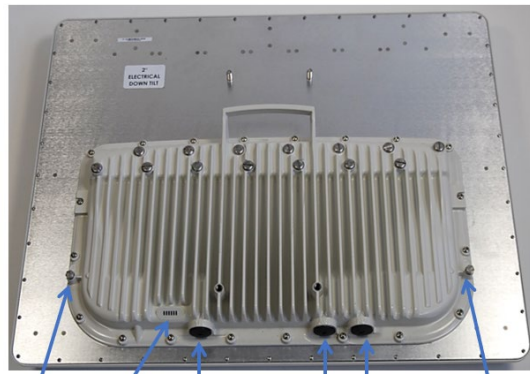
Aquí se muestra la unidad de ganancia media. Las interfaces de conexión son las mismas para la unidad de ganancia alta.



Port name	Connector	Interface	Description
PSU/Ethernet Port	RJ45	PoE input	Power over Ethernet (PoE)
		10/100/1000BASE-T Ethernet	Data
Audio AUX Port	Standard 3.5 mm headphones	Alignment tone input	3.5 mm audio jack for alignment tone

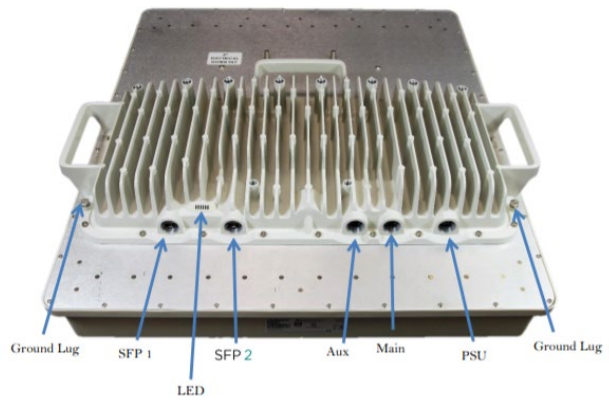
Interfaces de conexión PMP 450m AP

PMP 450m 5 GHz



Ground Lug LED SFP Aux PSU (Main) Ground Lug

PMP 450m 3 GHz



Definición de la interfaz de conexión AP PMP 450m 5 GHz

Nombre de puerto	Conector	Función de la interfaz	Descripción
PSU (principal)	RJ45	Entrada PoE	Alimentación a través de Ethernet (PoE)
		Ethernet 10/100/1000 BaseT	Datos
Aux	RJ45	Ethernet 10/100 BaseT	Datos
		Salida PoE	PoE (estándar IEEE802.3at)
		Entrada/salida de sincronización	Conexión y alimentación de entrada de sincronización UGPS
SFP	SFP	Ethernet de cobre de 2,5 Gbps y cobre de 1 Gbps	Servicios de datos y gestión. El módulo SFP enchufable se adquiere por separado
Terminales de tierra		Cable de cobre (ø2,6 mm - 10 AWG)	Para puesta a tierra de la unidad

Definición de interfaz PMP 450m AP 3 GHz

Nombre de puerto	Conector	Función de la interfaz	Descripción
PSU	4 pines	Entrada de alimentación CC	40 - 60 V, con sincronización por alimentación de Cambium
Principal	RJ45	Ethernet	Ethernet 10/100/1000Base-T, con sincronización por datos de Cambium

Aux	RJ45	Ethernet	Ethernet 10/100Base-T con salida PoE
		Sincronización	Puerto de sincronización UGPS
		Alineación	Tonos de audio
SFP 1	SFP	Ethernet	Módulo SFP
SFP 2	SFP	Ethernet	Módulo SFP (simple o doble)
Terminales de tierra		Cable de cobre (ø2,6 mm - 10 AWG)	Para puesta a tierra de la unidad

Fuentes de alimentación

La alimentación a la ODU se realiza a través de un inyector PoE, excepto en el caso de PMP 450m de 3 GHz, en el que la alimentación y los datos van por separado. Todos los inyectores de alimentación / fuentes de alimentación de la gama Cambium Networks están diseñados para su montaje en interiores. La siguiente tabla resume las distintas fuentes de alimentación de Cambium Networks para cada modelo de radio 450.

Modelo	30 V CC	56 V CC	802.3af	802.3at	N000900L001B/C Gigabit (15 W)	N000900L002A 100 Base T (15 W) -	N000000L034A (CA) - 30 W. 56 V CC	N000065L001C (CA) - 60 W	C000065L002C (CA+CC) - 100 W	N000000L054B (CA) 54 V 240 W
PMP 450 AP	X	-	-	-	X	X*	-	-	-	-
SM PMP 450	X	-	-	-	X*	X*	-	-	-	-
PTP 450	X	-	-	-	X*	X*	-	-	-	-
PMP / PTP 450b	X	-	-	-	X	X*	-	-	-	-
PMP 450i AP	-	X	-	X	-	-	X	X	X	-
SM PMP 450i	-	X	-	X	-	-	X	X	X	-
PTP 450i	-	X	-	X	-	-	X	X	X	-
PMP 450m 5 GHz	-	X	-	-	-	-	-	-	X	-
PMP 450m 3 GHz	-	-	-	-	-	-	-	-	-	X

*Solo modo 100 Base T (no Gigabit)

El cable de alimentación de CA se suministra por separado de la fuente de alimentación. Hay disponibles variantes regionales.

Las distintas fuentes de alimentación se muestran a continuación:

Tipo de inyector de alimentación

Fuente de alimentación PMP / PTP 450 / 450b

Entrada de CA: 90-264 V CA, 0,5 A rms

Salida de CC: 30,0 V CC +/-5%, 15W, 500 mA máx.

Zócalos RJ45: dos (entrada de datos y salida de datos/alimentación)

Vistas de inyectores de alimentación

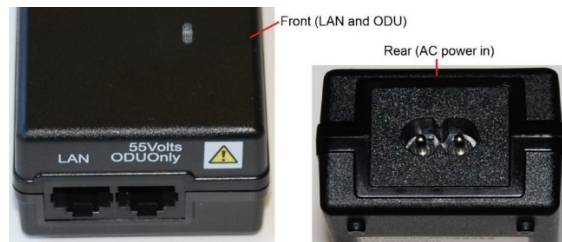


Inyector de alimentación de CA (para 450i)

Entrada de alimentación de CA: entrada de alimentación de CA (alimentación principal)

Puerto ODU: zócalo RJ45 para conexión de cable Cat5e a la ODU

Puerto LAN: zócalo RJ45 para conexión de cable Cat5e al equipo de red



Inyector de alimentación reforzado de CA+CC

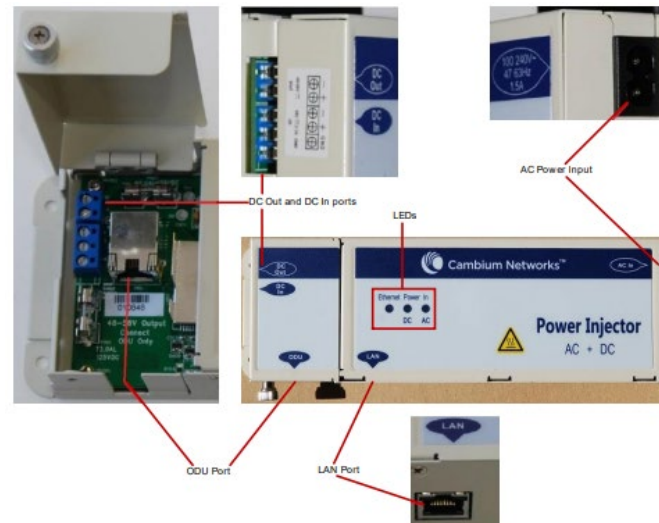
Entrada de alimentación de CA: 100-240 V 47-63 Hz 1,5 A

Entrada de CC: Entrada de fuente de alimentación de CC alternativa

ODU: zócalo RJ45 para conexión de cable Cat5e a la ODU

LAN: zócalo RJ45 para la conexión del cable Cat5e a la red

Salida de CC: salida de alimentación de CC a una fuente de alimentación secundaria (fuente de alimentación redundante) o a una unidad interior de red (NIDU)



Advertencia

El módulo SM integrado robusto y de alta ganancia PMP 450 (números de pieza Cambium C035045C014A y C036045C014A), si bien está encapsulado en una carcasa de tipo 450i, contiene circuitería que debe alimentarse a 30 V CC. Si se alimentan estos módulos SM a 56 V CC, se dañará el dispositivo.

Unidades de protección contra sobretensiones

La siguiente tabla enumera los supresores de sobretensiones adecuados para cada modelo de radio de la serie 450.

Modelo	30 V CC	56 V CC	C00000L065A Supresor de sobretensiones	600SSH (100 BASE T)	C00000L033A Supresor de sobretensiones	C000065L007B Kit de unidad de protección contra	C00000L114A Kit de unidad de protección contra
PMP 450 AP	X	-	X	X	-	-	-
SM PMP 450	X	-	X	X	-	-	-
PTP 450	X	-	X	X	-	-	-
PMP 450b	X	-	X	X	-	-	-
PMP 450i AP	-	X	-	-	X	X	-
SM PMP 450i	-	X	-	-	X	X	-
PTP 450i	-	X	-	-	X	X	-
PMP 450m AP 5 GHz	-	X	-	-	-	X	-
PMP 450m AP 3 GHz	-	-	-	-	-	-	X

Cambium Networks recomienda NO implementar una protección contra sobretensiones basada en tubos de descarga de gas en las plataformas PMP 450i o PMP 450b.

Otros accesorios

Cambium Networks ofrece una amplia gama de accesorios adicionales como cables de alimentación, cables de bajada, cables de puesta a tierra, etc. Consulte la guía del usuario o la guía de compra para ver más detalles.

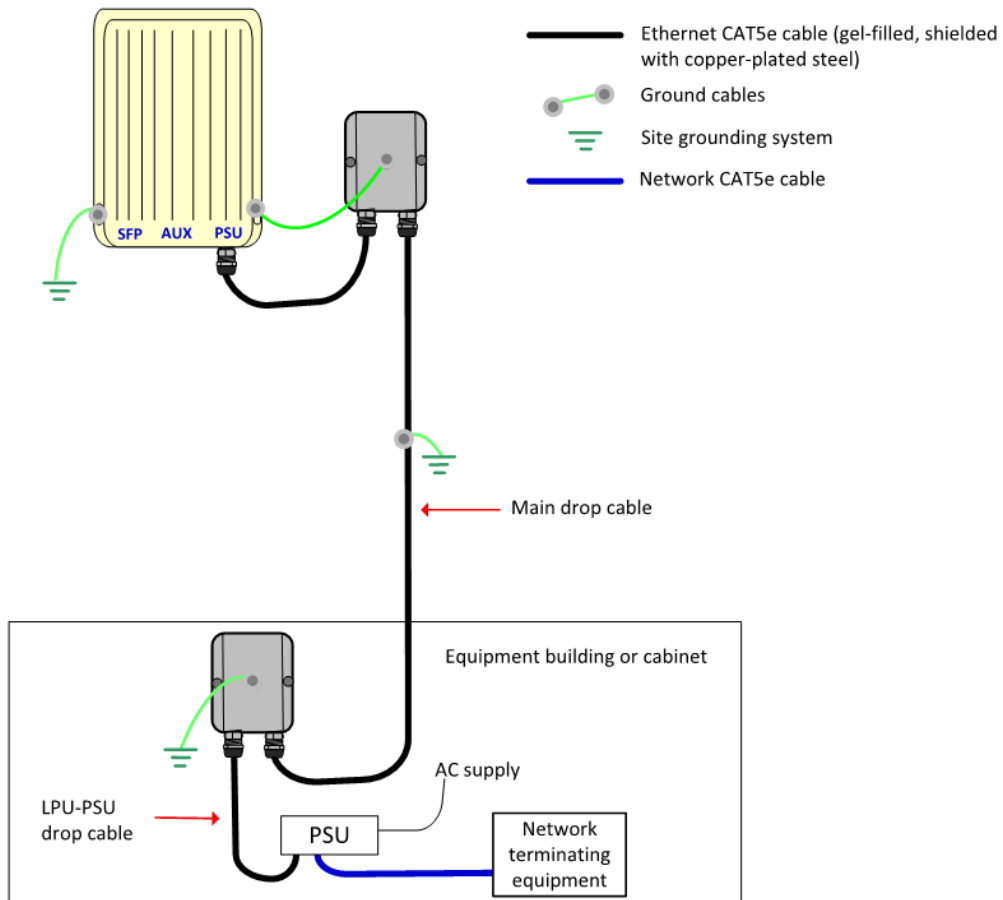
7. Instalación y conexión del equipo

Consulte las normativas nacionales y asegúrese de obtener todas las licencias normativas que necesita antes de la implementación del sistema. La ubicación de las ODU debe planificarse minuciosamente antes de la instalación con el fin garantizar una buena cobertura de radio y minimizar las interferencias. Utilice herramientas de planificación por radio como LINKPlanner para optimizar el rendimiento de los enlaces. La instalación y puesta en marcha del equipo deben realizarse por personal debidamente capacitado.

Instalación básica de las ODU

1. Preconfigure la ODU según lo descrito en la siguiente sección (sección 8).
2. Instale las ODU en estado de apagado.
3. Coloque las ODU de modo que el enlace no quede obstruido por el horizonte radioeléctrico y que ningún objeto penetre en la zona de Fresnel.
4. Con respecto a los puntos de acceso, utilice un mapa local, brújula y/o dispositivo GPS para determinar la dirección de orientación según la disposición de sectores. Aplique el ángulo adecuado de inclinación descendente.
5. Conecte los cables a la ODU según el siguiente diagrama.
 - a. Conecte un cable Ethernet desde el puerto «Data» o «LAN» de la fuente de alimentación PoE al puerto Ethernet de un ordenador portátil.
 - b. Conecte el cable de bajada desde la ODU al puerto «Data + Power» o «ODU» de la fuente de alimentación.

- c. Monte los supresores de sobretensiones según ilustra la imagen e instale cables de puesta a tierra según sea necesario.
- d. Conecte la fuente de alimentación a un punto de suministro eléctrico.
- e. Impermeabilice las conexiones externas.



Instalación de un módulo de suscriptor (SM) de la serie 450

Se requieren pasos adicionales para garantizar que el SM esté alineado correctamente.

- Debe realizarse un procedimiento orientativo de alineación utilizando la herramienta de alineación o el tono de alineación.
- Verificación del enlace de AP a SM mediante revisión del nivel de potencia, pruebas de enlace y revisión de los recuentos de registros y sesiones.

Consulte la guía del usuario para obtener más detalles.

Instalación de enlaces PTP de la serie 450

El proceso para la instalación de un «Maestro de red de backhaul» (BHM) es similar al descrito para un punto de acceso. Cuando se instala el «Esclavo de red de backhaul» (BHS), debe realizarse un procedimiento orientativo de alineación utilizando la herramienta de alineación o el tono de alineación. Consulte la guía del usuario para obtener más detalles.

Consulte la guía de usuario de la serie 450 o el material de formación para obtener más detalles sobre las disposiciones de montaje, el cableado y la alineación. Las guías están disponibles en el sitio web de Cambium Networks. Véanse los enlaces correspondientes al final de este documento.

8. Configuración de una radio de la serie 450 conforme a la normativa nacional correspondiente

Cambium recomienda que las unidades estén preconfiguradas «en el banco de trabajo» antes de su implementación.

Conecte la unidad de la serie 450 a la fuente de alimentación PoE y a un PC.

- Conecte un cable Ethernet del PC al puerto «Data» en la fuente de alimentación PoE.
- Conecte otro cable Ethernet desde el puerto «Data + Power» de la fuente de alimentación PoE a la radio 450.
- Enchufe el cable de alimentación PoE en una toma de corriente y encienda.
- Compruebe que el LED de la fuente de alimentación PoE se ilumina.

En la radio de la serie 450:

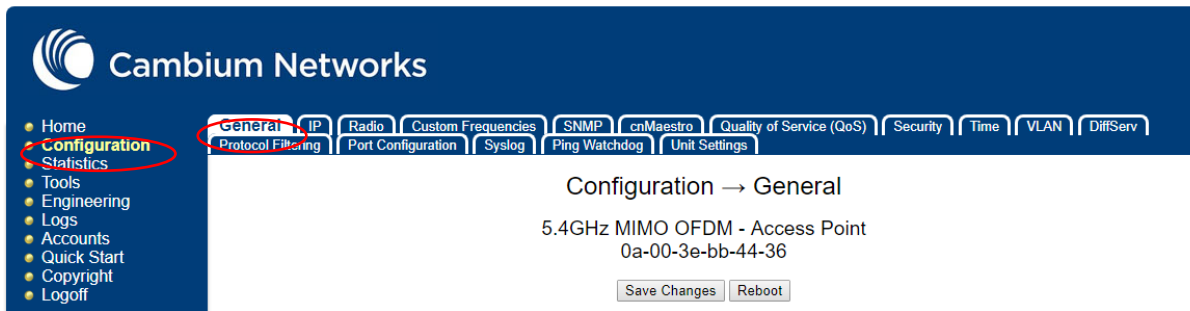
- Compruebe que el LED naranja de Ethernet se ilumina con 10 destellos lentos.
- Compruebe que el LED de Ethernet se ilumina luego de forma continua.

Configure el puerto Ethernet en el PC para una dirección IP estática utilizando el rango 169.254.X.X, evitando 169.254.0.0 y 169.254.1.1. Un buen ejemplo es 169.254.1.3. Introduzca una máscara de subred 255.255.0.0. Deje en blanco la pasarela predeterminada.

- Vaya a la dirección web predeterminada de fábrica 169.254.1.1 usando un navegador web e inicie sesión.
- Introduzca el nombre de usuario (el nombre de usuario predeterminado de fábrica es admin) y la contraseña (la contraseña predeterminada de fábrica es admin) y haga clic en Iniciar sesión.

Se muestra el menú de la interfaz web 450 y la página Resumen del sistema.

En el menú de la izquierda de la página web, seleccione «Configuración», según se ilustra a continuación:



Haga clic en la pestaña «General» y desplácese a la ventana «Configuración regional»:



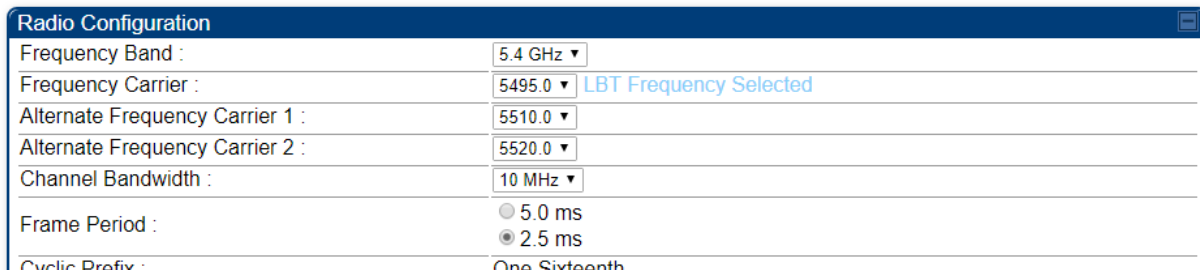
Compruebe que el código de «Región» coincide con la región en la que se va a implementar la unidad. Si no es así, seleccione la región correcta, de lo contrario, no prosiga.

Haga clic en el recuadro «País» y, en la lista desplegable, seleccione el país en el que se implementará la unidad o, si no aparece en la lista, seleccione «Otro».

Pulse el botón «Guardar cambios» y luego «Reiniciar».

Tras el reinicio, vuelva a iniciar sesión.

Vaya a la pestaña «Radio». En el menú «Configuración de radio», seleccione la banda de frecuencia deseada y pulse el botón «Guardar cambios» y «Reiniciar». Tras el reinicio, vuelva a iniciar sesión y entre de nuevo en el menú «Configuración de radio» para seleccionar el operador y el ancho de banda adecuados. Puede ser necesario seleccionar operadores «alternativos» para las bandas de 5,4 GHz y 5,7 GHz para las versiones operables en la UE.



Pulse el botón «Guardar cambios» y luego «Reiniciar».

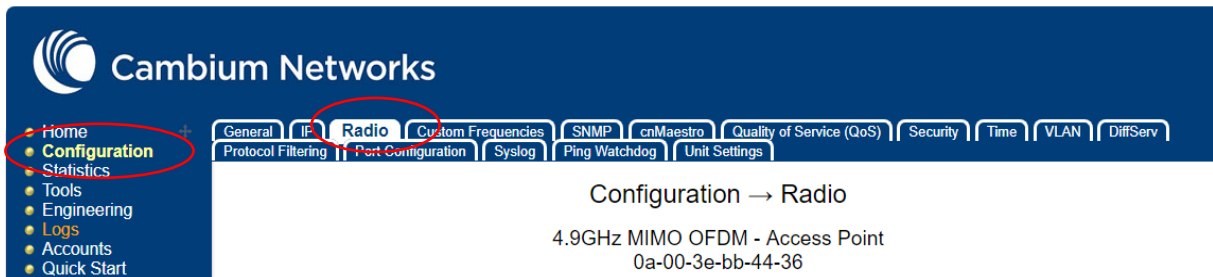
Tras el reinicio, vuelva al menú «Control de potencia» a través de la pestaña «Radio». Compruebe que la PIRE está ajustada al valor correcto para el país en el que se utiliza la radio. No prosiga a menos que la PIRE esté establecida dentro de las regulaciones nacionales. Si está configurando una unidad conectorizada, siga las instrucciones de la sección "Unidades conectorizadas de serie 450i de 5 GHz - pasos adicionales".

Pasos de configuración adicionales

Ahora, configure otros parámetros de la unidad 450. Seleccionando y siguiendo el menú «Inicio rápido» podrá establecer la configuración mínima requerida para el funcionamiento.

Pasos adicionales para unidades conectorizadas

Para configurar una radio conectorizada de forma que funcione con la antena externa, la ganancia de la antena debe introducirse en la IU «Radio». Desde la página web de la serie 450, seleccione «Configuración» en el menú izquierdo y luego la pestaña «Radio».



A continuación, vaya a la ventana «Control de potencia» e introduzca la ganancia de la antena externa en dBi en el segundo recuadro de debajo. La radio ajustará automáticamente la potencia de transmisión de forma adecuada (aunque puede ser necesario reiniciar la radio).

Power Control	
Transmit Power :	11 dBm (Range: -30 — +20 dBm) (8 dBm V / 8 dBm H)
External Gain :	16 dBi (Range: 0 — +40 dBi)
SM Receive Target Level :	-52 dBm (Range: -77 — -37 dBm) combined power
Adjacent Channel Support :	<input type="radio"/> Enabled <input checked="" type="radio"/> Disabled

Compruebe que la cifra que aparece en el recuadro «Potencia de transmisión» cuando se añade a la «ganancia externa», no supera la potencia radiada permitida (PIRE) con arreglo a la normativa nacional. Tenga en cuenta que la IU de la interfaz web de la serie 450 está restringida con el fin de que no puedan introducirse ganancias excesivas de antena.

9. Antenas externas

Antenas externas recomendadas

Cambium Networks recomienda las siguientes antenas para su uso con unidades conectorizadas PMP 450/450i AP:

- Número de pieza Cambium 85009324001 - Antena de 5 GHz para sector de 90 grados, ganancia 17 dBi.
- Número de pieza Cambium C030045D901A - Antena de 3,3-3,8 GHz con doble polarización olicua para sector de 90 grados.

Para aplicaciones PTP 450i conectorizadas de 5 GHz, Cambium Networks recomienda las siguientes antenas parabólicas.

Número de pieza Cambium	Descripción
RDH4503B	5,25-5,85 GHz 0,6 m, 29,0 dBi, doble polarización, polarización H/V, con ajuste fino
RDH4504B	5,25-5,85 GHz 0,9 m, 32,5 dBi, doble polarización, polarización H/V
RDH4505B	5,25-5,85 GHz 1,2 m, 34,9 dBi, doble polarización, polarización H/V
RDH4506B	5,25-5,85 GHz 1,8 m, 37,9 dBi, doble polarización, polarización H/V
RDH4508B	5,25-5,85 GHz 0,6 m, 28,8 dBi, doble polarización de alto rendimiento
RDH4509B	5,25-5,85 GHz 0,9 m, 32,3 dBi, doble polarización de alto rendimiento
RDH4510B	5,25-5,85 GHz 1,2 m, 34,7 dBi, doble polarización de alto rendimiento
RDH4511B	5,25-5,85 GHz 1,8 m, 37,7 dBi, doble polarización de alto rendimiento

Antenas alternativas para unidades conectorizadas

Las unidades conectorizadas de la serie 450 de 5 GHz están diseñadas para conectarse a una antena con doble polarización lineal vertical y horizontal (V/H).

Se recomienda que para las unidades conectorizadas de la serie 450 de 3 GHz se utilice una antena externa con doble polarización oblicua.

Las radios conectorizadas de las series 450i / 450 se han sometido a pruebas de conformidad con la normativa de la UE utilizando los tipos de antena que se enumeran a continuación. Se muestra la ganancia máxima de cada tipo de antena. Pueden utilizarse antenas de ganancia equivalente o inferior y del mismo tipo. Para la UE, no utilice una antena con mayor ganancia. Para reducir las posibles interferencias de radio con otros usuarios, el tipo de antena y su ganancia deben elegirse de manera que la potencia isotrópica radiada equivalente (PIRE) no sea superior a la necesaria para el correcto funcionamiento de la comunicación.

Tipo de antena	Ganancia de antena del fabricante (dBi)			
	Banda de 4,9 GHz	Banda de 5,1 GHz	Banda de 5,4 GHz	Banda de 5,8 GHz
Parábola de 183 cm	37,2	37	-	38,1
Parábola de 122 cm	-	-	34,9	-
Antena plana	28	28,5	28,5	28,5
Sectorizada	17	17	17	17
OMNI	13	13	13	13

10. Otros accesorios disponibles de Cambium Networks

Sincronización GPS

Cambium ofrece capacidad de sincronización de sistema de posicionamiento global (GPS) para limitar la propia autointerferencia de la red. Los puntos de acceso (AP) o maestros de red de backhaul de la serie 450 aceptarán una entrada de temporización GPS desde un generador de sincronización «cnPulse» o de un «módulo GPS universal». Estas unidades pueden proporcionar sincronización para hasta dos radios. Para situaciones en las que más de dos radios están coubicadas, se puede utilizar un módulo de gestión de clúster (CMM) para distribuir la sincronización a varias radios.

cnPulse y GPS universal (UGPS)

La unidad cnPulse o UGPS proporciona sincronización de red para redes más pequeñas en las que recurrir a un CMM puede no ser rentable. Estas unidades de sincronización funcionan con todas las radios de la serie 450 de Cambium. Tienen un tamaño reducido y son fáciles de implementar.



Módulo de gestión de clúster (CMM)

El CMM proporciona distribución de sincronización del sistema de posicionamiento global (GPS) al punto de acceso (AP) y a todos los módulos de suscriptor (SM) asociados. El CMM distribuye alimentación, sincronización GPS y conexiones de red para un clúster de punto de acceso. El CMM puede equiparse con un conmutador interno o adquirirse sin conmutador para que el operador de red pueda instalar el conmutador de su elección. Un CMM puede comunicarse con distintas ODU de punto de acceso ubicadas en la misma torre, así como con una ODU de punto a punto (PTP), proporcionando así conectividad para todo un emplazamiento. El CMM puede conectar hasta ocho radios colocadas y una línea Ethernet. Se requiere una unidad GPS externa para proporcionar sincronización al CMM.

CMM5

El CMM5 (módulo de gestión de clúster) representa la última generación de soluciones para la distribución de señales de sincronización TDD y alimentación a través de Ethernet (PoE) sobre el terreno. CMM5 es un diseño modular con inyectores de alimentación individuales de 4 puertos y un controlador opcional utilizado para gestión remota.

Las principales características del CMM5 son:

- Compatibilidad con Gigabit Ethernet (1000BaseT)
- Modular y escalable de 4 a 32 puertos
- Entrada +/- 48 V CC directa (opcionalmente, fuentes de alimentación de CA/CC de Cambium Networks)
- Utiliza UGPS de Cambium Networks para una fuente de sincronización
- Entradas de alimentación dual resilientes



11. Operación en la UE

Bandas de frecuencia, potencia máxima de operación, distancia de seguridad

Unidades de 5 GHz

En la UE, los productos de la serie PMP 450 5 Ghz funcionan con las siguientes bandas de frecuencia hasta la máxima potencia indicada:

Banda de frecuencia de operación	Norma europea	Límite de potencia máxima (PIRE)	Uso permitido	Unidades de 5 GHz que admiten esta banda de frecuencia
5470 - 5725 MHz	EN 301 893	1 W / 30 dBm	Disponible para uso general en todos los países de la UE	Toda la serie 450

5725 – 5875 MHz	EN 302 502	4 W / 36 dBm	Permitido en algunos países de la UE, consulte las notas 1 - 2	Toda la serie 450
--------------------	---------------	--------------	--	-------------------

Nota 1: la operación en la banda de 5,8 GHz no está permitida en los siguientes países europeos: AT, BG, CZ, CY, FR, HR, IT, LU, LV, NL, PL, TR. En otros países pueden exigirse licencias estatales para permitir la operación. Consulte la página web oficial correspondiente de su país.

Nota 2: el equipo de radiocomunicación aplica las configuraciones de DFS, potencia y asignaciones de frecuencias para cada código de país

Para los productos de la serie 450 5 GHz implementados en la UE, la distancia mínima de seguridad entre el equipo y las personas es de 25 cm.

Nota: si una unidad conectorizada se utiliza con una antena de alta ganancia, el instalador debe calcular la distancia mínima de seguridad en función de la ganancia de la antena.

Unidades de 3 GHz

En la UE, los productos de la serie PMP 450 3 Ghz funcionan con las siguientes bandas de frecuencia hasta la máxima potencia indicada:

Banda de frecuencia de operación	Norma europea	Límite de potencia máxima (PIRE)	Uso permitido	Unidades de 3 GHz que admiten esta banda de frecuencia
3410 – 3800 MHz	EN 302 326- 1 EN 302 326- 2	501 W/ 57 dBm	Esta banda está autorizada por la UE. Consulte la nota 1	Consulte la nota 2

Nota 1: adquiera una licencia del organismo nacional correspondiente antes de hacer la implementación. La licencia deberá especificar la frecuencia permitida, el ancho de banda y la máxima potencia que se puede utilizar. Configure el equipo según esas condiciones.

Nota 2: en los países europeos, la frecuencia de operación para las variantes de 3 GHz PMP 450i y 3 GHz PMP 450m es de 3410 MHz a 3800 MHz; para 3,5 GHz PMP 450 SM es de 3410 MHz a 3600 MHz, y para 3,65 GHz PMP 450 SM es de 3550 MHz a 3800 MHz.

Para los productos 450m implementados en la UE, la distancia mínima de seguridad entre el equipo y las personas es de 2,3 metros.

Para los demás productos de la familia 450 implementados en la UE, la distancia mínima de seguridad entre el equipo y las personas es de 50 cm.

Nota: si una unidad conectorizada se utiliza con una antena de alta ganancia, el instalador debe calcular la distancia mínima de seguridad en función de la ganancia de la antena.

Funcionamiento en la Unión Europea. Restricciones y requisitos de la autorización para el uso

- Este equipo de radio es únicamente para uso exterior.
- Los productos de la serie 450 de Cambium pueden configurarse para funcionar en bandas de frecuencia tanto sujetas a licencia como exentas de licencia según la planificación de frecuencias de cada país. Los operadores o los usuarios finales deben garantizar que el equipo está instalado y funciona de acuerdo con la normativa aplicable del país donde funcione, así como obtener cualquier licencia o permiso necesario.

Declaración de conformidad simplificada de la Unión Europea

Por la presente, el fabricante Cambium Networks, Ltd. declara que los tipos de equipo de radiocomunicación:-

- | | |
|------------------------|-----------------------|
| - 5 GHz PMP 450i | - 3,5 GHz PMP 450 SM |
| - 5 GHz PMP 450i | - 3,65 GHz PMP 450 SM |
| - 5 GHz 450b Mid-Gain | - 3 GHz PMP 450i |
| - 5 GHz 450b High-Gain | - 3 GHz PMP 450m |
| - 5 GHz PMP 450m | |

cumplen con la Directiva 2014/53/UE. El texto completo de la declaración de conformidad de la Unión Europea está disponible en la siguiente dirección de internet: http://www.cambiumnetworks.com/eu_dofc

Directiva sobre residuos de aparatos eléctricos y electrónicos (RAEE)



No deseche equipos electrónicos y eléctricos o accesorios electrónicos y eléctricos con los residuos domésticos. En algunos países y algunas regiones se han establecido sistemas de recogida para tratar los desechos de equipos eléctricos y electrónicos. En los países de la Unión Europea, póngase en contacto con el representante de su proveedor local del equipo o con el centro de soporte de Cambium Networks para obtener más información sobre los sistemas de recogida de residuos en su país.

12. Cambium Networks

Cambium Networks ofrece soluciones de banda ancha inalámbrica fija y soluciones de microondas de calidad profesional para clientes de todo el mundo. Nuestras soluciones están implementadas en miles de redes de más de 153 países, con innovadoras tecnologías que proporcionan una conectividad fiable, segura y económica, de fácil implementación y que han demostrado ofrecer un rendimiento excepcional.

Nuestras galardonadas soluciones de radio punto a punto (PTP) operan en bandas de frecuencia de uso definido, sin licencia y con licencia, incluyendo soluciones FIPS 140-2 específicas para el mercado federal de Estados Unidos. Nuestras soluciones PTP disponen de un grado de robustez que asegura una disponibilidad del 99,999% y cuentan con un historial impecable a la hora de proporcionar conectividad de red de backhaul altamente fiable y de alta velocidad, incluso en los entornos RF sin visibilidad directa más complejos.

Nuestras flexibles soluciones de punto a multipunto (PMP) operan en las bandas de frecuencia con licencia, sin licencia y federales, proporcionando redes de acceso fiables, seguras y económicas. Con más de tres millones de módulos desplegados en redes de todo el mundo, nuestras soluciones de red de acceso PMP demuestran su eficacia día tras día en aplicaciones de acceso residencial, sustitución de líneas arrendadas, videovigilancia e infraestructura de redes eléctricas inteligentes.

Cambium Networks proporciona soluciones líderes acreditadas y respetadas en el mercado de la banda ancha inalámbrica. Diseñamos, desplegamos y entregamos soluciones innovadoras de conectividad de datos, voz y vídeo que permiten y garantizan las comunicaciones de la vida, potenciando el crecimiento personal, comercial y comunitario prácticamente en todo el mundo.

Guías de usuario:	http://www.cambiumnetworks.com/guides
Formación técnica:	https://learning.cambiumnetworks.com
Sitio web de soporte:	https://support.cambiumnetworks.com
Sitio web principal:	http://www.cambiumnetworks.com
Consultas de ventas:	solutions@cambiumnetworks.com
Consultas de soporte:	https://support.cambiumnetworks.com
Lista de números de teléfono:	http://www.cambiumnetworks.com/contact-us/
Dirección:	Cambium Networks Limited, Linhay Business Park, Eastern Road, Ashburton, Devon, TQ13 7UP Reino Unido

1. Az útmutató bemutatása

Köszönjük, hogy a Cambium Networks 450 szériájú platform berendezést választotta. Ezt a rövid útmutatót azért mellékeljük, hogy az üzemeltetők számára elősegítse a 450-es szériájú platformhardverek, telepítési módszerek, kezdeti bejelentkezési eljárások és biztonsági, valamint garanciával kapcsolatos tudnivalók alapos megismerését.

Ez a rövid útmutató az összes 450-es szériájú platform termékünkhöz készült.

2. A termékek ismertetése

A Cambium Networks 450 szériájú rádiótermékei Point-to-MultiPoint (PMP) és Point-to-Point (PTP) mikrohullámú kapcsolaton keresztüli adatátvitelt támogatnak. Ez a rádióberendezés (amit kültéri egységnek vagy ODU-nak is nevezünk) kizárólag professzionális, kültéri, rögzített telepítési környezetekben használandó.

PMP (Point-to-Multipoint)

A PMP 450 szériájú platform részei: egy hozzáférési pont (AP, access point), valamint előfizetői modulként (SM, subscriber module) kültéri egységek (ODU, outdoor unit). A rádió-összeköttetés irányonként egy frekvenciacsatornán, időosztásos duplexeléssel (TDD, time division duplex) működik.

A hozzáférési pont (AP) csatlakozóval ellátott (külső antennához csatlakoztatható) egységként vagy szektorantennával egybeépítve került forgalomba.

Az előfizetői modul (SM) csatlakozóval ellátott (külső antennához csatlakoztatható) egységként vagy irányított antennával egybeépítve került forgalomba.



PTP (Point-to-Point)

A PTP 450 szériájú platform két BH (backhaul) kültéri egységből áll. Két BH rádió közötti rádió-összeköttetés létesítéséhez a végfelhasználónak az egyiket BHM-ként (backhaul master), a másikat pedig BHS-ként (backhaul slave) kell konfigurálnia.

A rádió-összeköttetés egy frekvenciacsatornán, időosztásos duplexeléssel (TDD, time division duplex) működik.

A PTP szériájú platform csatlakozóval ellátott (külső antennához csatlakoztatható) egységként vagy irányított antennával egybeépítve került forgalomba.



3. Telepítés és üzemeltetés

A termék telepítése és üzemeltetése összetett; a Cambium emiatt javasolja, hogy a termék üzembe helyezési régiójában érvényes előírásoknak való megfelelés érdekében szakember telepítse és kezelje a rendszert.

Kérjük, a jelen rövid útmutatóban megadott utasítások szerint járjon el. További útmutatót a PMP és PTP telepítéséről és üzemeltetéséről a termék felhasználói útmutatójában találhat; lásd a jelen rövid útmutató végénél hivatkozott címeken.

A telepítőnek rendelkeznie kell a szükséges képességekkel, ismeretekkel és tapasztalattal a telepítés elvégzéséhez, és a következőkért felelős:

- Az aktuális vonatkozó országos előírások, így a rádiókkal, az elektromos berendezések telepítésével, a túlfeszültség-védelemmel és a magaslatokon végzett munkával kapcsolatos előírások ismerete
- Telepítés a Cambium Networks útmutatása szerint
- Meggyőződés arról, hogy a berendezés beállításai megfelelnek az országos vagy regionális előírásoknak
- A Cambium Networks webhelyen (lásd az alábbi linken) található oktatóanyagok használatában való jártasság

Kérjük, a telepítés során az alábbi utasítások szerint járjon el. Ezáltal fog a berendezés megfelelni az országos előírásoknak, és így gondoskodhat a jogszerű üzemeltetéséről.

- Győződjön meg arról, hogy a 450-es szériájú berendezés a legújabb szoftverrel van ellátva. Az országos szabályoknak való megfeleléshez a szükséges szoftververzió: Canopy 16.x.x vagy újabb. A szoftvereket a Cambium Support Centre webhelyén, az alábbi hivatkozáson érheti el.

4. Termékbiztonsági információk

Tartsa szem előtt a következő biztonsági előírásokat:

- Ügyeljen arra, hogy a kültéri egység (ODU) és a szerkezet, amelyre azt rögzítették, ellenálljon a javasolt üzemelési hely maximális szélsőségeinek!
- Ügyeljen arra, hogy a berendezés ne legyen áramellátás alatt a telepítés során! Javítás előtt mindig szüntesse meg a berendezés áramellátását!
- A jeladó működésekor az antennához közel ártalmas rádiófrekvenciás sugárzás van.
 - Ügyeljen a 450-es termékekhez alább megadott minimális biztonságos távolság tartására!
 - Ügyeljen arra, hogy a berendezést olyan helyzetben telepítsék, hogy az ne jelentsen sugárzásveszélyt az emberekre!
- Magaslatokon végzett munka esetén legyen rendkívül óvatos! Tartsa szem előtt a magaslatokon végzett munkával kapcsolatos országos előírásokat! Szakképzett, hozzáértő alkalmazottakkal dolgozzon!
- Távvezetékek közelében végzett munka esetén legyen rendkívül óvatos!
- A kábeleket mindig szakképzett villanyszerelővel telepíttesse!
- A kültéri egységnek megfelelő földelést kell biztosítani.
- Mindig a megadott Cambium 450 platform tápegységeket (PSU-kat) használja a berendezés működtetéséhez! Ha nem a meghatározott, Cambiumtól származó PoE-et használják, az a berendezés meghibásodását eredményezheti, és biztonsági kockázatot okozhat.
 - Kültéri környezetbe ne telepítsen Cambium Networks tápinjektort!
- A szerkezeteket, a berendezést és a személyeket a következők betartásával meg kell védeni az elektrosztatikus kisülésektől: -
 - a berendezés villámvédett helyen való elhelyezése;
 - megfelelő villámhárítók telepítése a túláram szilárd útvonallal vezetett földeléséhez.
 - földelő testelés és tranziensfeszültség-csillapító biztosító (túlfeszültségvédő) alkalmazása ajánlott. A Cambium által meghatározott túlfeszültségvédőket használja.
- Működés közben a kültéri egység burkolata megérintve forró lehet.
- A kültéri környezetnek kitett összeköttetésekhez kültéri használatra való kábeleket használjon! A Cambium által javasolt kábeleket telepítse.

5. Jellemző telepítési módok

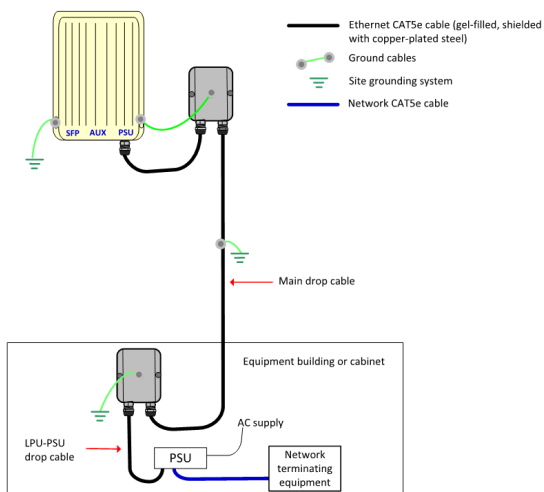
A legegyszerűbb elrendezés (1. ábra) esetén a hálózati berendezésből (Ethernet interfész) jövő adatáramot egy PoE (Power-over-Ethernet) injektoron át vezetjük (amit az ábrán „PSU” jelöl), onnan pedig réz kábelben a kültéri egységbe (PSU port). A túlfeszültségvédő egységeket is az ábrának megfelelően célszerű telepíteni. Jellegzetes antennaárbócos és tornyos elrendezések is láthatók alább (2., 3. és 4. ábra). További elrendezésekkel kapcsolatban bővebben tájékozódjon a használati útmutatóból.

A berendezést minden esetben villámvédelmi zónába helyezték el!

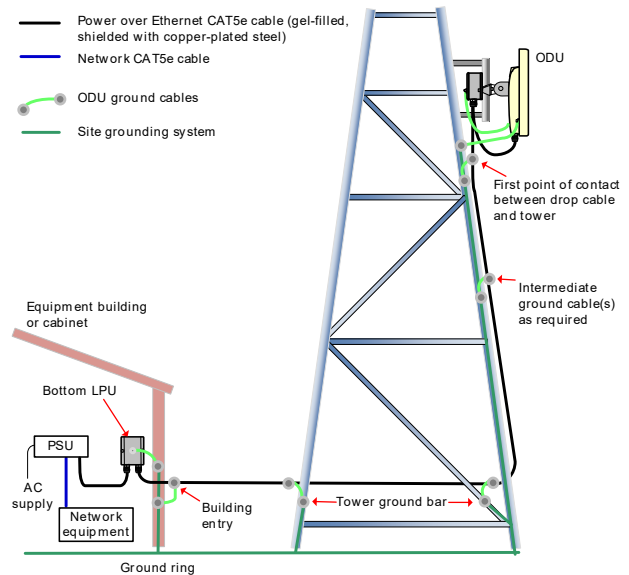
A berendezésnek a torony, építmény vagy villámhárítója tetejénél lejjebb kell lennie.

A tornyot vagy építményt helyesen kialakított földeléssel kell ellátni.

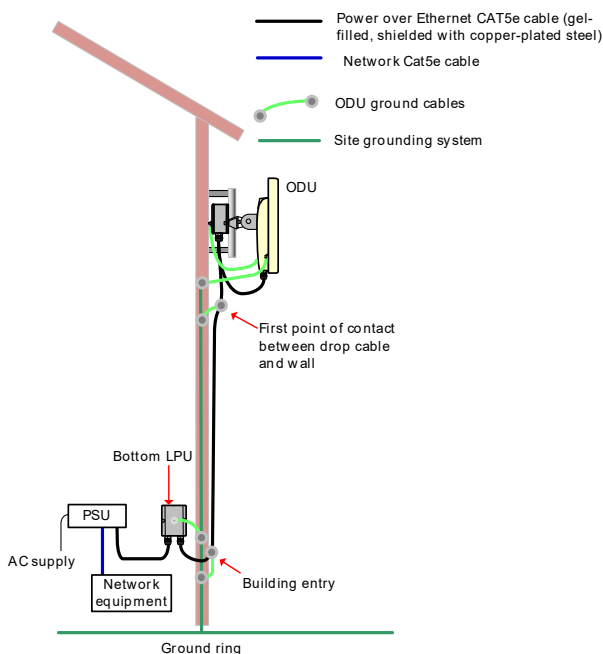
1. ábra Alapelrendezés



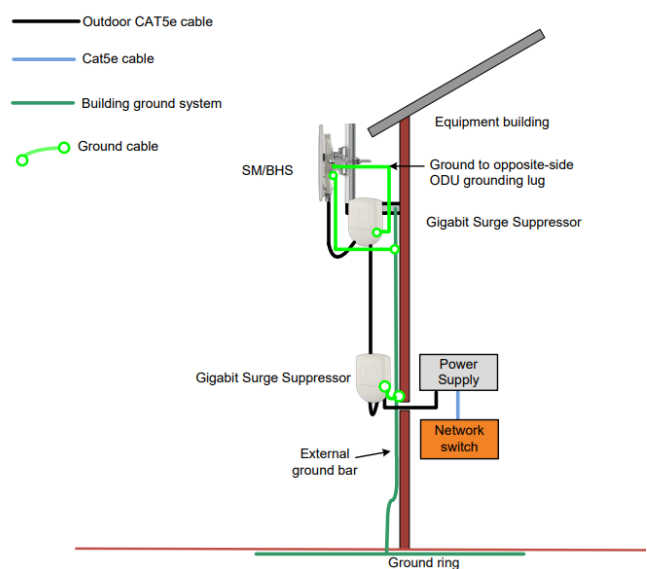
2. ábra Antennaárbócos vagy tornyos telepítés



3. ábra Fali telepítés (450i)



4. ábra Fali telepítés (450 SM)



6. Hardver – áttekintés

PMP/PTP 450i - interfészek

Az Ethernet és a Sync/AUX port az integrált és a csatlakozós kültéri egységnek is a hátulján van. Itt a csatlakozóval ellátott kültéri egység látható.

Az interfész-csatlakozások nézete



A csatlakozóval ellátott kültéri egység eleje



(N típusú csatlakozójzatok RF kábeles antenna-interfészekhez A és B porttal)

Port name	Connector	Interface	Description
Main PSU	RJ45	PoE input	Power over Ethernet (PoE)
		10/100/1000BASE-T Ethernet	Data
Sync/AUX	RJ45	10/100/1000BASE-T Ethernet	Data
		PoE output	Standard IEEE802.3at PoE
		Sync input/output	Connection and powering of UGPS Sync input

PMP/PTP 450b - interfészek

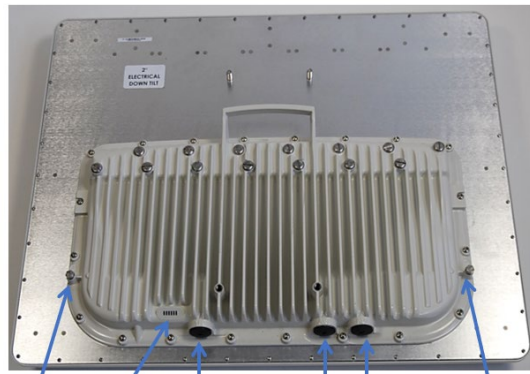
Alább a közepes nyereségű (mid-gain) egység látható. A nagy nyereségű (high-gain) egység interfészei ugyanilyenek.



Port name	Connector	Interface	Description
PSU/Ethernet Port	RJ45	PoE input	Power over Ethernet (PoE)
		10/100/1000BASE-T Ethernet	Data
Audio AUX Port	Standard 3.5 mm headphones	Alignment tone input	3.5 mm audio jack for alignment tone

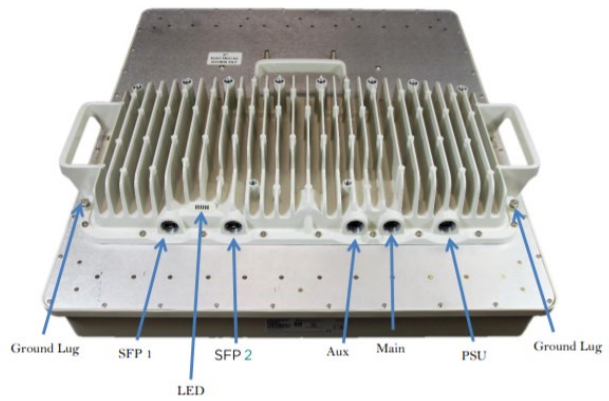
PMP 450m AP - interfészek

5 GHz PMP 450m



Ground Lug LED SFP Aux PSU (Main) Ground Lug

3 GHz PMP 450m



Ground Lug SFP 1 SFP 2 LED Aux Main PSU Ground Lug

5 GHz PMP 450m AP - interfészek meghatározása

Portnév	Csatlakozó	Interfész funkció	Leírása
PSU (Main)	RJ45	PoE-bemenet	PoE (Power-over-Ethernet)
		10/100/1000 BaseT Ethernet	Adatok
Aux	RJ45	10/100 BaseT Ethernet	Adatok
		PoE-kimenet	Szabványos IEEE802.3at PoE
		Sync bemenet/kimenet	UGPS Sync bemenet csatlakoztatása és tápellátása
SFP	SFP	2,5 Gbps-es réz Ethernet, valamint 1 Gbps-es réz	Adat- és kezelési szolgáltatások Bedugós SFP-modul külön szerezhető be
Földelősaruk		10 AWG-s réz vezeték	Az egység földeléséhez

3 GHz PMP 450m AP - interfészek meghatározása

Portnév	Csatlakozó	Interfész funkció	Leírása
PSU	4 tűs	DC tápbemenet	40 V - 60 V plusz Cambium Sync-over-power
Main	RJ45	Ethernet	10/100/1000Base-T Ethernet, plusz Cambium Sync-over-data
Aux	RJ45	Ethernet	10/100Base-T Ethernet és PoE, kimenet
		Szinkronizálás	UGPS szinkronizálási port

		Iránybeállítás	Hangolássegítő hangok
SFP 1	SFP	Ethernet	SFP-modul
SFP 2	SFP	Ethernet	SFP-modul (egy- vagy kétsávú)
Földelősaruk		10 AWG-s réz vezeték	Az egység földeléséhez

Tápegységek

A kültéri egységnek a tápellátást PoE-injektor biztosítja, kivéve a 3 GHz PMP 450m esetében, amelynél a tápellátás és az adatkapcsolat elkülönül egymástól. A Cambium Networks tápinjektorok (power injector) és tápegységek (power supply) beltéri környezetbe valók. A következő táblázatba összeírtuk a különböző 450-es rádiókhoz rendelkezésre álló Cambium Networks tápegységeket.

Modell	30 VDC	56 VDC	802.3af	802.3at	N000900L001B/c Gigabit (15W)	N000900L002A 100 Base T (15W) - rézi	N000000L034A (AC) – 30W . 56VDC	N00065L001C (AC) – 60W	C00065L002C (AC+DC) – 100W	N000000L054B (AC) 54V 240W
PMP 450 AP	X	-	-	-	X	X*	-	-	-	-
PMP 450 SM	X	-	-	-	X*	X*	-	-	-	-
PTP 450	X	-	-	-	X*	X*	-	-	-	-
PMP / PTP 450b	X	-	-	-	X	X*	-	-	-	-
PMP 450i AP	-	X	-	X	-	-	X	X	X	-
PMP 450i SM	-	X	-	X	-	-	X	X	X	-
PTP 450i	-	X	-	X	-	-	X	X	X	-
5 GHz PMP 450m	-	X	-	-	-	-	-	-	X	-
3 GHz PMP 450m	-	-	-	-	-	-	-	-	-	X

*csak 100 Base T mód (Gigabit nélkül)

Az AC tápkábel a tápegységtől külön szerezhető be. Különböző régiókhoz való változatok vannak.

A különböző tápegységeket alább szemléltetjük:

Tápinjektor típusa

PMP / PTP 450 / 450b tápegység

AC bemenet: 90–264 VAC, 0,5 A rms

DC kimenet: 30,0 Vdc +/-5%, 15 W,
500 mA max.

RJ 45 aljzatok: Két db („adat be”,
valamint „adat + táp ki”)

A tápinjektor különböző nézetei



AC tápinjektor (450i-hez)

AC táp be: AC tápbemenet (fő áramforrás)

ODU port: RJ45 aljzat kültéri egységhez csatlakozó Cat5e kábelhez

LAN port: RJ45 aljzat hálózati berendezéshez csatlakozó Cat5e kábelhez



AC+DC Enhanced Power Injector

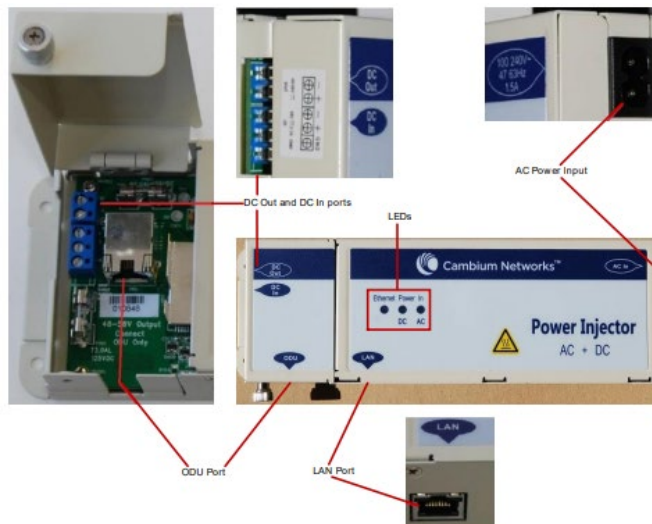
AC tápbemenet: 100-240 V; 47-63 Hz; 1,5 A

DC In: Alternatív DC tápellátás bemenet

ODU: RJ45 aljzat kültéri egységhez csatlakozó Cat5e kábelhez

LAN: RJ45 aljzat hálózathoz csatlakozó Cat5e kábelhez

DC Out: DC tápkimenet második (tartalék célú) tápegységhez vagy egy hálózati beltéri egységhez



Figyelmeztetés

A PMP 450 Ruggedized High Gain Integrated Subscriber Module (Cambium azonosítók: C035045C014A és C036045C014A) bár 450i típusú burkolatba van foglalva, 450-es áramköröket tartalmaz; ezeknek 30 VDC tápellátást kell biztosítani. Ha az ilyen előfizetői modulokra 56 VDC tápot adnak, az tönkreteszi az eszközt.

Túlfeszültségvédelmi egységek

A különböző 450-es szériájú rádiókhoz alkalmazható túlfeszültségvédőket a következő táblázat sorolja fel.

Modell	30 VDC	56 VDC	C000000L065A Gigabit Ethernet túlfeszültség-	600SSH (100 BASE T)	C000000L033A Gigabit Ethernet túlfeszültség-	C000065L007B Villámvédelmi egység (LPU) kit	C000000L114A DC villámvédelmi egység kit
PMP 450 AP	X	-	X	X	-	-	-
PMP 450 SM	X	-	X	X	-	-	-
PTP 450	X	-	X	X	-	-	-
PMP 450b	X	-	X	X	-	-	-
PMP 450i AP	-	X	-	-	X	X	-
PMP 450i SM	-	X	-	-	X	X	-
PTP 450i	-	X	-	-	X	X	-

5 GHz PMP 450m AP	-	X	-	-	-	X	-
3 GHz PMP 450m AP	-	-	-	-	-	-	X

PMP 450i és PMP 450b platformokra gáztöltésű túlfeszültség-levezető (GDT) alapú túlfeszültségvédelem telepítését a Cambium Networks NEM javasolja.

Egyéb tartozékok, kiegészítők

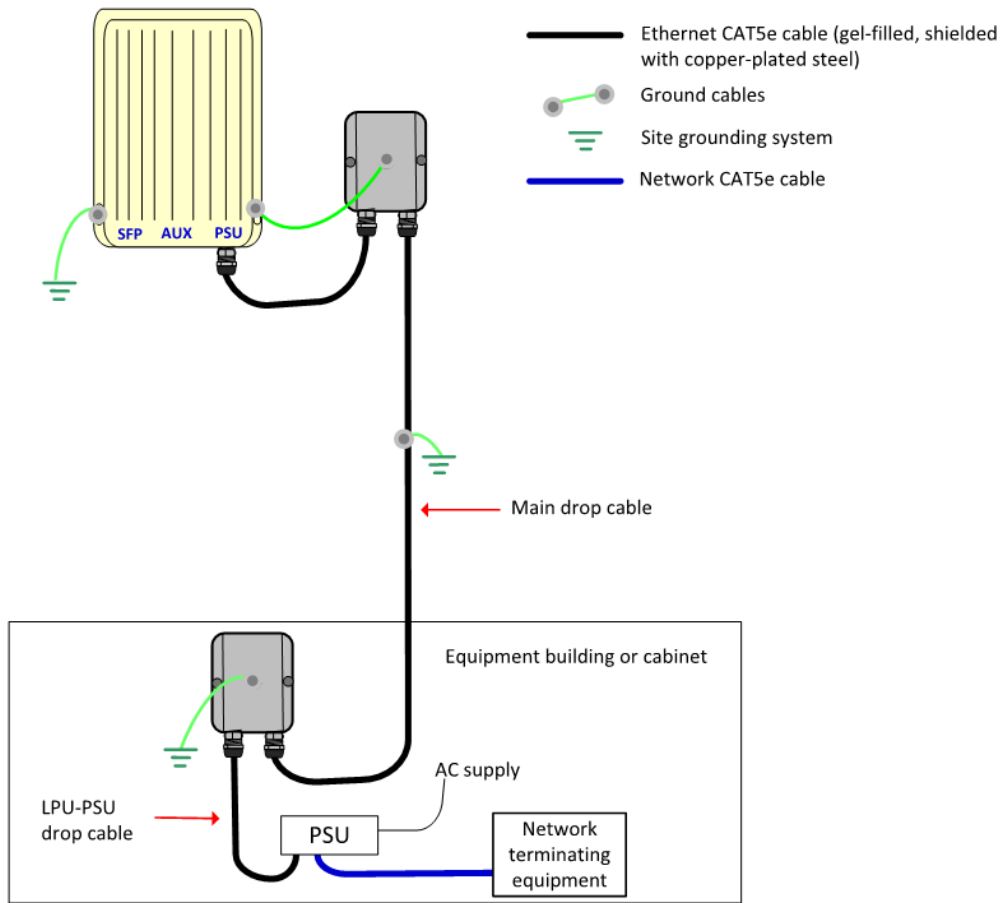
A Cambium Networks sokféle egyéb kiegészítőt (tápkábelt, bekötőkábelt, földelőkábel stb.) kínál. Bővebben tájékozódjon a használati útmutatóból vagy a rendelési útmutatóból.

7. A berendezés felszerelése és csatlakoztatása

Még a telepítés előtt vegye számba az országos szabályokat, és ügyeljen arra, hogy minden megfelelő szabályozói licencet beszerezzen. A kültéri egység telepítése előtt körültekintően meg kell tervezni annak helyét, hogy a rádiós lefedettség minél jobb legyen, minél kevesebb interferenciával. Hogy az összeköttetések optimálisan működjenek, használjon rádiós tervezőeszközöket, mint például a LINKPlanner. A berendezések felszerelését és üzembe helyezését arra kiképzett szakembernek célszerű végeznie.

Kültéri egységek alapvető telepítése

1. Konfigurálja be előre a kültéri egységet a következő szakaszban (8. szakasz) foglaltak szerint
2. A kültéri egységeket áramtalanított állapotban szerelje fel
3. Olyan helyre tegye a kültéri egységet, ahol az összeköttetést a rádióhorizont nem gátolja, és nem nyúlnak be tárgyak a Fresnel-zónába.
4. Hozzáférési pontok (AP) esetében helyi térképpel, iránytűvel és/vagy GPS készülékkel, a szektoroknak megfelelően határozza meg, hogy az eszköz milyen irányba álljon. Megfelelő szögben legyen lefelé billentve.
5. Az alábbi ábrának megfelelően csatlakoztassa a kábeleket a kültéri egységhez
 - a. Csatlakoztassa a PoE tápegység „Data” vagy „LAN” portjából jövő Ethernet kábelt egy alkalmas laptop Ethernet portjához
 - b. Csatlakoztassa a kültéri egységből jövő bekötőkábelt a tápegység „Data + Power” vagy „ODU” portjához
 - c. A szükséges módon illessze helyükre a túlfeszültségvédőket az illusztrációnak megfelelően, és csatlakoztassa a földelőkábeleket
 - d. Csatlakoztassa a tápegységet áramforráshoz
 - e. Tegye vízállóvá a külső csatlakozásokat



450-es szériájú előfizetői modul (SM) felszerelése

Hogy az előfizetői modul helyes irányáról meggyőződjünk, további teendőket kell végezni.

- Végezni kell egy durva iránybeállítást a hangolóeszközzel vagy hangolássegítő hanggal.
- Az AP-SM összeköttetés ellenőrzése: teljesítményszint ellenőrzése, összeköttetés-tesztek, valamint regisztrálások és viszonyok (session) számának az ellenőrzése.

Bővebben tájékozódjon a használati útmutatóból.

450-es szériájú PTP összeköttetések telepítése

Egy „Backhaul Master” (BHM) telepítésének a menete ugyanolyan, mint amit a hozzáférési pontokra (AP) vonatkozóan ismertettünk. A „Backhaul Slave” (BHS) telepítésekor végezni kell egy durva iránybeállítást a hangolóeszközzel vagy hangolássegítő hanggal. Bővebben tájékozódjon a használati útmutatóból.

A felszerelési teendőkkel, a huzalozással és a betájolással kapcsolatban tájékozódjon bővebben a 450-es széria használati útmutatójából vagy a megfelelő oktatási anyagokból. Az útmutatók megtalálhatók a Cambium Networks webhelyén (lásd a jelen dokumentum végénél).

8. 450-es szériájú rádió konfigurálása az országos szabályokhoz

A Cambium javasolja, hogy az egységeket már a helyszínrre telepítés előtt, „asztalon” konfigurálja be.

Csatlakoztassa a 450-es szériájú egységet a PoE tápegységhez és egy alkalmas PC-hez.

- Ethernet kábellel csatlakoztassa a PC-t a PoE tápegységen lévő „data” porthoz
- Egy másik Ethernet kábellel csatlakoztassa a PoE tápegység „data and power” portját a 450-es rádióhoz
- Dugja be a PoE tápegység tápkábelét egy konnektorba, és kapcsolja be
- Győződjön meg arról, hogy a PoE tápegységen az áramellátást jelző (power) led világít

A 450-es szériájú rádión -

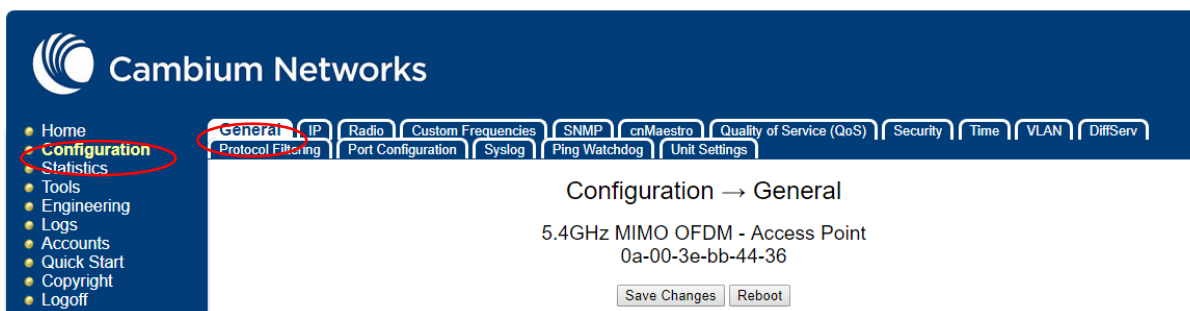
- Vegye észre, hogy a narancssárga Ethernet led 10 lassú felvillanással indít.
- Ellenőrizze, hogy ezt követően az Ethernet led folyamatosan világít-e.

A PC-n konfigurálja be az Ethernet portot statikus IP-címre, a 169.254.X.X tartományt használva; kerülendő a 169.254.0.0 és a 169.254.1.1. Egy jó példa: 169.254.1.3. Adjon meg egy alhálózati maszkot: 255.255.0.0. Az alapértelmezett átjárót hagyja üresen.

- Webes böngészőben nyissa meg a gyárilag beállított webcímet (169.254.1.1), és jelentkezzen be.
- Adja meg a felhasználónevet (Username), ami gyári beállítás esetén „admin”, valamint a jelszót (Password), ami gyárilag szintén „admin”; ezután kattintson a bejelentkezésre.

Megjelenik 450-es webes felületének a menüje és a rendszer áttekintése (oldal).

A weboldal bal oldali menüjéből, a szemléltetésnek megfelelően jelölje ki a konfigurálás opciót:



The screenshot shows the Cambium Networks web interface. The top navigation bar includes the Cambium Networks logo and a menu with the following items: Home, Configuration (highlighted with a red circle), Statistics, Tools, Engineering, Logs, Accounts, Quick Start, Copyright, and Logoff. Below the navigation bar, there is a secondary menu with the following items: General (highlighted with a red circle), IP, Radio, Custom Frequencies, SNMP, cnMaestro, Quality of Service (QoS), Security, Time, VLAN, and DiffServ. Under the General menu, there is a sub-menu with the following items: Protocol Filtering, Port Configuration, Syslog, Ping Watchdog, and Unit Settings. The main content area displays the title "Configuration → General" and the text "5.4GHz MIMO OFDM - Access Point" and "0a-00-3e-bb-44-36". At the bottom of the main content area, there are two buttons: "Save Changes" and "Reboot".

Kattintson az általános fülre, és görgessen le a régió beállítása ablakhoz:



Region Settings

Region : Europe

Country : Other

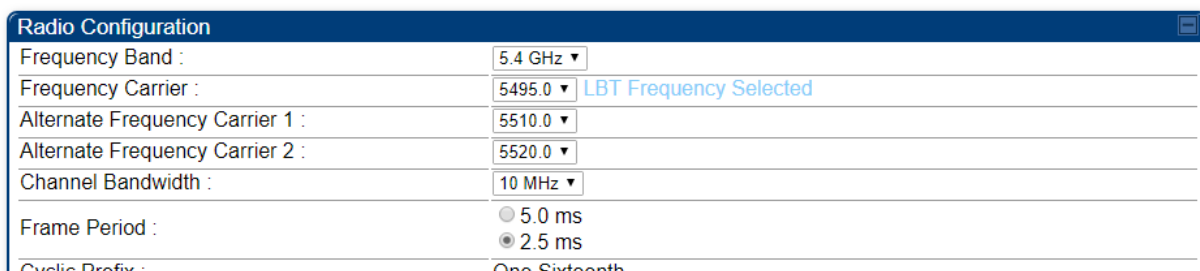
Ellenőrizze, hogy a régió kód az egység telepítési helyének megfelelő-e. Ha nem, akkor jelölje ki a helyes régiót; ennek az elvégzése nélkül ne lépjen tovább!

Kattintson az ország mezőbe, és a legördülő listáról jelölje ki az egység leendő telepítési helyét; ha az nincs a listán, akkor az egyéb lehetőséget.

Nyomja meg a módosítások elmentése gombot, majd az újraindítást

Amikor újraindult, jelentkezzen be újra.

Navigáljon a rádió fülre. A rádiókonfigurálás menüből jelölje ki a megfelelő frekvenciasávot, majd nyomja meg a módosítások elmentése gombot és az újraindítást. Amikor újraindult, jelentkezzen be újra, és lépjen be újra a rádiókonfigurálás menübe; jelölje ki a megfelelő vivőfrekvenciát és sáv szélességet. A rádió EU-s változatai esetében az 5,4 GHz-es és az 5,7 GHz-es sávokhoz lehet, hogy tartalék vivőfrekvenciákat is meg kell adni.



Radio Configuration

Frequency Band : 5.4 GHz

Frequency Carrier : 5495.0 LBT Frequency Selected

Alternate Frequency Carrier 1 : 5510.0

Alternate Frequency Carrier 2 : 5520.0

Channel Bandwidth : 10 MHz

Frame Period : 5.0 ms 2.5 ms

Cyclic Prefix : One Sixteenth

Nyomja meg a módosítások elmentése gombot, majd az újraindítást („Reboot”).

Újraindítást követően hozza elő újra a rádió fület és a teljesítmény szabályozása („Power Control”) menüt.

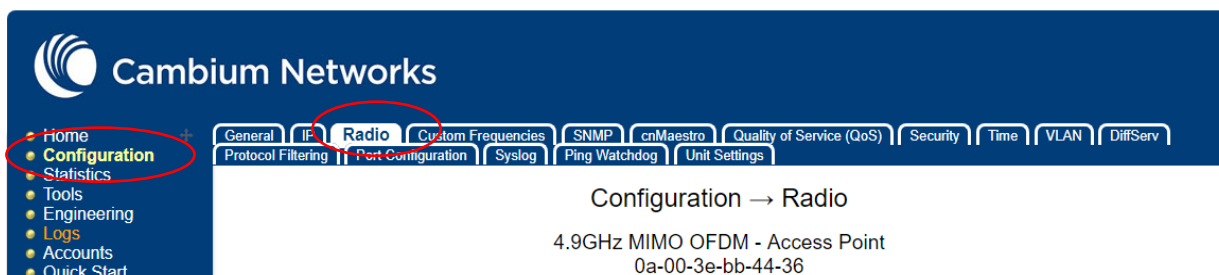
Ellenőrizze, hogy az EIRP érték a telepítési országnak megfelelőre van-e állítva. Csak akkor lépjen tovább, ha az EIRP az országos szabályok szerinti tartományon belül van! Ha csatlakozóval ellátott egységet konfigurál, akkor az annak megfelelő részben (kb.: „5 GHz 450i szériájú csatlakozóval ellátott egységek - további teendők”) megadott utasítások szerint járjon el.

További beállítási lépések

Most állítsa be a 450-es egység egyéb paramétereit. A Minimális beállítás menüt kijelölve és követve be tudja állítani a működéshez minimálisan szükséges konfigurációs adatokat.

Csatlakozóval ellátott egységek – további teendők

Ha csatlakozóval ellátott rádiót szeretne bekonfigurálni külső antennával való használatra, a rádió („Radio”) grafikus felületen meg kell adni az antennanyereséget. A 450-es weboldalról a bal oldali menüből jelölje ki a konfiguráció opciót, majd a rádió fület.



Cambium Networks

Home Configuration Statistics Tools Engineering Logs Accounts Quick Start

General IP Radio Custom Frequencies SNMP cnMaestro Quality of Service (QoS) Security Time VLAN DiffServ

Protocol Filtering Port Configuration Syslog Ping Watchdog Unit Settings

Configuration → Radio

4.9GHz MIMO OFDM - Access Point
0a-00-3e-bb-44-36

Ezután lépjen a teljesítményszabályozás ablakra, és fentről a második mezőben adja meg a külső antenna nyereségét dBi-ben. A rádió annak megfelelően magától beállítja az adóteljesítményt; de lehet, hogy a rádiót újra kell indítani.

Power Control	
Transmit Power :	11 dBm (Range: -30 — +20 dBm) (8 dBm V / 8 dBm H)
External Gain :	16 dBi (Range: 0 — +40 dBi)
SM Receive Target Level :	-52 dBm (Range: -77 — -37 dBm) combined power
Adjacent Channel Support :	<input type="radio"/> Enabled <input checked="" type="radio"/> Disabled

Ellenőrizze, hogy a külső nyereség növelésekor az adóteljesítmény mezőben megjelenő szám nem lépi-e túl az adott ország szabályai szerinti megengedett kisugárzott teljesítményt (EIRP)!

Vegye figyelembe, hogy a 450-es webes, grafikus felhasználói felülete úgy van kialakítva, hogy túl nagy antennanyereséget ne lehessen megadni!

9. Külső antennák

Ajánlott külső antennák

A Cambium Networks a csatlakozóval ellátott PMP 450/450i AP egységekhez a következő antennák használatát javasolja:

- Cambium azonosító: 85009324001 – 5 GHz-es antenna 90 fokos szektorhoz, 17 dBi nyereségű;
- Cambium azonosító: C030045D901A – 3,3–3,8 GHz-es dual slant antenna 90 fokos szektorhoz.

Az 5 GHz-es, csatlakozóval ellátott PTP 450i alkalmazásaihoz a Cambium Networks a következő tányérantennákat ajánlja.

Cambium azonosító	Leírása
RDH4503B	5,25–5,85 GHz; 0,6 m; 29,0 dBi; kettős polarizációjú, H-Pol és V-Pol; finomhangolásokkal
RDH4504B	5,25–5,85 GHz; 0,9 m; 32,5 dBi; kettős polarizációjú, H-Pol és V-Pol
RDH4505B	5,25–5,85 GHz; 1,2 m; 34,9 dBi; kettős polarizációjú, H-Pol és V-Pol
RDH4506B	5,25–5,85 GHz; 1,8 m; 37,9 dBi; kettős polarizációjú, H-Pol és V-Pol
RDH4508B	5,25–5,85 GHz; 0,6 m; 28,8 dBi; nagy teljesítőképességű kettős polarizációjú
RDH4509B	5,25–5,85 GHz; 0,9 m; 32,3 dBi; nagy teljesítőképességű kettős polarizációjú
RDH4510B	5,25–5,85 GHz; 1,2 m; 34,7 dBi; nagy teljesítőképességű kettős polarizációjú
RDH4511B	5,25–5,85 GHz; 1,8 m; 37,7 dBi; nagy teljesítőképességű kettős polarizációjú

Más antennák a csatlakozóval ellátott egységekhez

Az 5 GHz-es, 450-es szériájú, csatlakozóval ellátott egységek kettős polarizációjú antennához való csatlakoztatásra készültek, vertikális és horizontális (VH) polarizáció alkalmazásával.

Javasolt, hogy a 3 GHz-es 450-es szériájú egységekhez „dual slant” kettős polarizációjú antennát használjanak.

A csatlakozóval ellátott 450i / 450 szériájú rádiókat EU-s szabályoknak való megfelelés tekintetében az alább felsorolt típusú antennákkal tesztelték. A különféle antennákhoz az azoknak megfelelő maximális

nyereség van feltüntetve. Ezekkel egyenértékű vagy kisebb nyereségű, valamint azonos típusú antennák használhatók. Az EU esetében nagyobb nyereségű antennát ne használjon! Az esetleg előforduló, más felhasználókat érintő rádió-interferencia korlátozása érdekében az antenna típusát és nyereségét úgy kell megválasztani, hogy az egyenértékű izotróp kisugárzott teljesítmény (EIRP) ne legyen több, mint ami a sikeres kommunikációhoz szükséges.

Antennatípus	Gyártói antennanyereség (dBi)			
	4,9 GHz-es sáv	5,1 GHz-es sáv	5,4 GHz-es sáv	5,8 GHz-es sáv
6 láb méretű parabolatányér	37,2	37	-	38,1
4 láb méretű parabolatányér	-	-	34,9	-
Sík lemez	28	28,5	28,5	28,5
Szektorizált	17	17	17	17
OMNI	13	13	13	13

10. A Cambium Networkstől beszerezhető egyéb tartozékok, kiegészítők

GPS alapú szinkronizálás

A hálózat saját magával való interferenciájának a korlátozására a Cambium GPS (Global Positioning System) alapú szinkronizálást is lehetővé tesz. A 450-es szériájú hozzáférési pontok (AP, Access Point) és Backhaul Masterek egy „cnPulse” szinkronjel-generátortól („Sync Generator”) vagy egy univerzális GPS-modultól („Universal GPS module”) venni fogják a GPS-es időbemenetet. Ezek az egységek legfeljebb két rádióhoz tudnak időegyeztetést biztosítani. Olyan esetekre, ahol kettőnél több rádió van egy helyen, a különböző rádiók egymáshoz időzítésére Cluster Management CMM-et lehet alkalmazni.

cnPulse és UGPS (Universal GPS)

A cnPulse vagy UGPS egység kisebb hálózatokhoz nyújt hálózati időszinkront, ahol CMM alkalmazása drága lenne. Az ilyen a szinkronizálóegységek mindegyik Cambium 450 szériájú rádióval használhatók. Kevés helyet foglalnak, és könnyen felszerelhetők.



CMM (Cluster Management Module)

A CMM a GPS alapú szinkronizálást képes szétosztani a hozzáférési pontra (AP) és az összes kapcsolódó előfizetői modulra (SM). A CMM egy AP-fürtre (cluster) vonatkozó tápellátás, GPS-időjel és hálózati kapcsolatrendszer szétosztását végzi. A CMM-ben lehet belső switch, de beszerezhető anélkül is, hogy a hálózat üzemeltetője belátása szerint másféle switchet telepíthessen. Egy CMM egy adott tornyon lévő különféle AP kültéri egységekkel tud kommunikálni, valamint Point-to-Point (PTP) kültéri egységgel is, így egy helysín teljes hálózatát elláthatja. A CMM akár nyolc egy helyen lévő rádióknak, valamint egy Ethernet folyamannak biztosíthat összeköttetést. Időjelet a CMM számára külső GPS egységgel kell biztosítani.

CMM5

A CMM5 (Cluster Management Module) a TDD Sync jelek és PoE (Power-over-Ethernet) szétosztására a legkorszerűbb megoldás. A CMM5 moduláris kialakítású, egyéni 4 portos tápinjektorokkal és egy távolról való kezelésre szolgáló opcionális kontrollerral.

A CMM5 néhány főbb jellemzője:

- Gigabit Ethernet (1000BaseT) támogatása
- Moduláris és skálázható 4 porttól 32 portig
- Közvetlen +/- 48 VDC (opcionális AC/DC tápegységek beszerezhetők a Cambium Networkstől)
- Szinkronjel-forrásként Cambium Networks UGPS-t használ
- Kettős, rugalmas tápbemenet



11. EU-beli használhatóság

Frekvenciasávok, maximális működési teljesítmény, biztonságos távolság

5 GHz-es egységek

Az EU-ban az 5 GHz PMP 450 szériájú termékek a következő frekvenciasávokban működnek, legfeljebb a feltüntetett maximális teljesítményig:

Működési frekvenciasáv	EU-szabvány	Maximális teljesítménykorlát (EIRP)	Engedélyezett használat	Ezt a frekvenciasávot támogató 5 GHz-es egységek
5470 – 5725 MHz	EN 301 893	1 watt/30 dBm	Általánosan használható minden EU-tagállamban	A teljes 450-es széria
5725 – 5875 MHz	EN 302 502	4 watt/36 dBm	Némelyik EU-tagállamban megengedett, lásd 1.-2. megjegyzés	A teljes 450-es széria

1. megjegyzés: A következő európai országokban az 5,8 GHz-es sávban nem szabad üzemeltetni: AT, BG, CZ, CY, FR, HR, IT, LU, LV, NL, PL, TR. Egyéb országokban a működtetéshez kormányzati engedélyre vagy licencre lehet szükség. Tájékozódjon az adott ország kormányzati webhelyéről.

2. megjegyzés: A rádió az egyes országhoz megfelelő országos frekvenciakiosztásokat, valamint teljesítmény- és DFS-beállításokat alkalmaz.

Az EU-ban üzembe helyezett 5 GHz-es 450-es termékek esetében a berendezés és az emberek közötti minimális biztonságos távolság 25 cm.

Megjegyzés: ha csatlakozóval ellátott egységet használnak nagy teljesítményű antennával, a telepítést végző személynek ki kell számíttania a minimális biztonságos távolságot; ez függ az antennanyereségtől.

3 GHz-es egységek

Az EU-ban a 3 GHz PMP 450 szériájú termékek a következő frekvenciasávokban működnek, legfeljebb a feltüntetett maximális teljesítményig:

Működési frekvenciasáv	EU-szabvány	Maximális teljesítménykorlát (EIRP)	Engedélyezett használat	Ezt a frekvenciasávot támogató 3 GHz-es egységek
3410 – 3800 MHz	EN 302		Az EU-n belül ez egy	Lásd: 2. megjegyzés
	326-1	501 W/	licencelt sáv.	
	EN 302 326-2	57 dBm	Lásd: 1. megjegyzés	

1. megjegyzés: Az üzembe helyezés előtt szerezz be a megfelelő licencet az adott ország licenclési hatóságától. A licencben szerepeljen az engedélyezett frekvencia, a sáv szélesség és az alkalmazandó maximális teljesítmény. A berendezéseket annak megfelelően állítsa be.

2. megjegyzés: Európai országokban a 3 GHz-es PMP 450i és a 3 GHz-es PMP 450m variáns esetében a működési frekvencia 3410 MHz és 3800 MHz közötti; a 3,5 GHz-es PMP 450 SM esetében 3410 MHz és 3600 MHz közötti; a 3,65 GHz-es PMP 450 SM esetében 3550 MHz és 3800 MHz közötti.

Az EU-ban üzembe helyezett 450m termékek esetében a berendezés és az emberek közötti minimális biztonságos távolság 2,3 méter. Az Európai Unióban üzembe helyezett, a 450-es családba tartozó egyéb termékek esetében a berendezés és az emberek közötti minimális biztonságos távolság 50 cm.

Megjegyzés: ha csatlakozóval ellátott egységet használnak nagy teljesítményű antennával, a telepítést végző személynek ki kell számíttania a minimális biztonságos távolságot; ez függ az antennanyereségtől.

Az EU-n belüli üzemeltetés – Korlátozások és előírások a használat engedélyezéséhez:

- A berendezés csak kültéri környezetben használandó.
- A Cambium 450 sorozat termékei licencelt vagy licenc nélküli frekvenciasávokban való működéshez konfigurálhatók, amelyekre frekvenciatervezés vonatkozhat az egyes országokban. A működtetőknek vagy végfelhasználóknak gondoskodniuk kell arról, hogy a berendezés telepítése és működtetése az adott országra vonatkozó szabályoknak megfelelően történjen, valamint be kell szerezniük minden szükséges licencet és egyéb engedélyt.

Egyszerűsített EU megfelelési nyilatkozat

A gyártó Cambium Networks Ltd ezennel kijelenti, hogy a következő típusú rádióberendezések:-

- 5 GHz PMP 450i
- 5 GHz PTP 450i
- 5 GHz 450b Mid-Gain
- 5 GHz 450b High-Gain
- 5 GHz PMP 450m
- 3,5 GHz PMP 450 SM
- 3,65 GHz PMP 450 SM
- 3 GHz PMP 450i
- 3 GHz PMP 450m

megfelelnek a 2014/53/EU irányelvnek. Az Európai Unió megfelelési nyilatkozat teljes szövege a következő webhelyen érhető el: http://www.cambiumnetworks.com/eu_dofc

Az elektromos és elektronikus berendezések hulladékairól (WEEE) szóló irányelv:



Elektromos és elektronikus berendezéseket vagy tartozékokat ne helyezzen a háztartási szemétkébe! Egyes országokban vagy régiókban az elektromos és elektronikus hulladékok kezelésére begyűjtőrendszerek működnek. Európai uniós országokban, ha tájékozódni kíván az országa hulladékgyűjtési rendszeréről, forduljon helyi berendezésszolgáltatójának a képviselőjéhez vagy a Cambium Networks támogatási központjához.

12. Cambium Networks

A Cambium Networks professzionális kategóriájú rögzített vezeték nélküli szélessávú és mikrohullámú megoldásokat nyújt az ügyfeleinek szerte a világon. A megoldásaink több, mint 153 országban, több ezer hálózatba telepítve vannak. Az újító jellegű technológiáink megbízható, biztonságos, költségkímélő összeköttetéseket tesznek lehetővé. Azokat könnyen a helyszínekre lehet telepíteni, és igazoltan kiemelkedően teljesítenek.

A díjnyertes Point-to-Point (PTP) rádió megoldásaink licencelt, licenceletlen és meghatározott célú frekvenciasávokban üzemelnek; vannak köztük konkrét FIPS 140-2 megoldások is, a U.S. Federal piac számára. A PTP megoldásainkat 99,999%-os rendelkezésre álláshoz robusztussá tettük, így mindeddig a legkörülményesebb rálátás nélküli RF környezetek esetében is kifogástalanul nyújtanak megbízható nagy sebességű backhaul összeköttetést.

A rugalmas Point-to-Multipoint (PMP) megoldásaink a licencelt, licenceletlen és szövetségi frekvenciasávokban üzemelnek; megbízható, biztonságos, költségkímélő hozzáférési hálózatokat biztosítva. Világszerte több, mint hárommillió modul van telepítve, ezáltal a PMP hozzáférési hálózat megoldásaink mindennap bizonyítanak a lakossági hozzáférés, bérelt vonalak kiváltása, a videós megfigyelés és a smart grid infrastruktúra alkalmazások terén.

A Cambium Networks megoldások bizonyítottak, és elismerten élen járnak a széles sávú vezeték nélküli kommunikáció ágazatában. Újító jellegű adat-, beszédhang- és videó-összeköttetés megoldásokat tervezünk, telepítünk és szolgáltatókat, amelyekkel biztosítható a mindennapi kommunikáció, szinte mindenütt elősegítve a személyes, üzleti és közösségi gyarapodást.

Használati útmutatók:	http://www.cambiumnetworks.com/guides
Műszaki képzés:	https://learning.cambiumnetworks.com
Támogatási webhely:	https://support.cambiumnetworks.com
Honlap:	http://www.cambiumnetworks.com
Forgalmazással kapcsolatban:	solutions@cambiumnetworks.com
Támogatással kapcsolatban:	https://support.cambiumnetworks.com
Telefonszámlista:	http://www.cambiumnetworks.com/contact-us/
Cím:	Cambium Networks Limited, Linhay Business Park, Eastern Road, Ashburton, Devon, TQ13 7UP Egyesült Királyság (UK)

1. Introduzione

Grazie per aver acquistato la piattaforma Cambium Networks della serie 450. Questa guida introduttiva illustra in modo dettagliato l'hardware della piattaforma della serie 450, i metodi di installazione, le procedure di accesso iniziale e informazioni sulla sicurezza e sulla garanzia.

La presente guida introduttiva è applicabile a tutte le piattaforme della serie 450.

2. Descrizione del prodotto

Le apparecchiature radio della serie 450 di Cambium Networks supportano la trasmissione dati su ponti radio a microonde Point to MultiPoint (PMP) e Point to Point (PTP). Questo tipo di apparecchiatura radio (in inglese "outdoor units", abbreviato con ODU) è destinato esclusivamente ad applicazioni professionali per installazioni fisse all'esterno.

PMP (Point-to-Multipoint)

La piattaforma della serie PMP 450 è costituita da un Access Point (AP) e da più unità ODU (Outdoor Unit) SM (Subscriber Module). Il ponte radio funziona su un canale a singola frequenza in ciascuna direzione utilizzando la sincronizzazione TDD (Time Division Duplex).

L'AP è disponibile come un'unità connettorizzata da collegare a un'antenna esterna o come un'unità integrata con un'antenna settoriale.

Il modulo SM è disponibile come un'unità connettorizzata da collegare a un'antenna esterna o come un'unità integrata con un'antenna direzionale.

PTP (Point-to-Point)

La piattaforma della serie PTP 450 è costituita da due unità ODU BH (Backhaul). Per poter stabilire un ponte radio tra due apparecchiature radio BH, è necessario che l'utente finale ne configuri una come BHM (Backhaul Master) e l'altra come BHS (Backhaul Slave).

Il ponte radio funziona su un canale a singola frequenza utilizzando la sincronizzazione TDD (Time Division Duplex).

La piattaforma della serie PTP è disponibile come un'unità connettorizzata da collegare a un'antenna esterna o come un'unità integrata con un'antenna direzionale.



3. Installazione e funzionamento

L'installazione e il funzionamento di questo prodotto sono complessi. Per assicurare che il funzionamento sia conforme alle normative vigenti nel territorio in cui il dispositivo viene installato, Cambium raccomanda quindi l'installazione e la gestione del sistema da parte di professionisti, nonché l'osservanza delle istruzioni riportate

in questa guida introduttiva. Ulteriori indicazioni sull'installazione e sul funzionamento dei dispositivi PMP e PTP sono disponibili nella guida del prodotto per l'utente, ai link riportati più sotto in questa guida introduttiva.

L'installatore deve disporre di competenze, conoscenze ed esperienza sufficienti ad eseguire l'installazione ed è responsabile per quanto segue:

- familiarità con le normative nazionali applicabili in vigore, comprese le norme sulle apparecchiature radio, sull'installazione elettrica, sulla protezione da sovratensioni e sui lavori in quota;
- l'installazione in conformità alle istruzioni di Cambium Networks;
- conferma della corrispondenza delle impostazioni dell'apparecchiatura alle normative nazionali o regionali;
- familiarità con il materiale formativo disponibile sul sito Web di Cambium Networks (vedere link riportato di seguito).

Durante l'installazione, osservare le seguenti istruzioni importanti che permettono di configurare l'apparecchiatura in conformità alle disposizioni delle normative nazionali e di garantire il corretto funzionamento.

- Assicurarsi che sull'apparecchiatura della serie 450 sia installato il codice applicativo più recente. Al fine di garantire la conformità alle normative nazionali, la versione software deve essere Canopy 16.x.x o versioni successive. Il software è disponibile sul sito Web del Centro assistenza di Cambium, al link riportato di seguito.

4. Informazioni sulla sicurezza del prodotto

Osservare le regole di sicurezza riportate di seguito:

- Accertarsi che l'unità ODU (Outdoor Unit) e la struttura su cui è installata siano in grado di resistere alle massime velocità del vento nel sito di destinazione previsto.
- Accertarsi che l'apparecchiatura non sia alimentata durante l'installazione. Scollegare sempre l'apparecchiatura dalla sorgente di alimentazione prima di effettuare gli interventi di manutenzione.
- Quando il trasmettitore è acceso, vicino all'antenna sono presenti livelli dannosi di radiazioni RF.
 - Rispettare il limite minimo della distanza di sicurezza per i prodotti 450 indicato di seguito.
 - Assicurarsi che l'apparecchiatura sia installata in una posizione tale da evitare qualsiasi rischio di radiazioni per le persone.
- Prestare la massima attenzione quando si lavora in quota. Osservare le normative nazionali relative al lavoro in quota. Impiegare personale addestrato e competente.
- Prestare la massima attenzione quando si lavora vicino a linee di alimentazione.
- Utilizzare sempre un elettricista qualificato per l'installazione dei cavi.
- L'unità ODU (Outdoor Unit) deve essere collegata a terra in modo corretto.
- Per alimentare l'apparecchiatura, utilizzare sempre le unità di alimentazione della piattaforma 450 indicate da Cambium. Il mancato utilizzo del PoE specificato fornito da Cambium può comportare danni all'apparecchiatura e causare rischi per la sicurezza.
 - Non distribuire iniettori di alimentazione Cambium Networks in ambienti esterni.
- È necessario proteggere strutture, attrezzature e persone dalle scariche elettrostatiche:
 - installando l'apparecchiatura in una zona protetta dai fulmini;
 - mediante l'installazione di adeguate linee di discesa dei parafulmini per scaricare a terra la corrente di picco attraverso un percorso separato stabile preferenziale;
 - si raccomandano la messa a terra e la soppressione dei picchi di tensione transitori. Utilizzare i soppressori di picchi di tensione indicati da Cambium.
- L'involucro dell'unità ODU può risultare caldo al tatto durante il funzionamento.
- Utilizzare cavi classificati per esterni nei collegamenti che saranno esposti all'ambiente esterno. Installare i cavi raccomandati da Cambium.

5. Installazione tipica

Nella configurazione più semplice (Figura 1), il percorso dei dati dall'apparecchiatura di rete (interfaccia Ethernet) viene instradato tramite un iniettore PoE (Power over Ethernet) (indicato come "PSU" nell'immagine), quindi tramite un cavo di rame all'unità ODU (porta PSU). È necessario distribuire anche unità di protezione da sovratensioni come illustrato. Di seguito vengono riportate installazioni tipiche a traliccio e a parete (Figura 2, 3 e 4). Per informazioni su altre configurazioni, consultare la guida per l'utente.

Installare sempre l'apparecchiatura radio in una zona protetta dai fulmini:

l'apparecchiatura deve essere posizionata al di sotto della parte superiore del traliccio o dell'edificio o del rispettivo parafulmine;

il traliccio o l'edificio devono essere correttamente messi a terra.

Figura 1 Configurazione di base

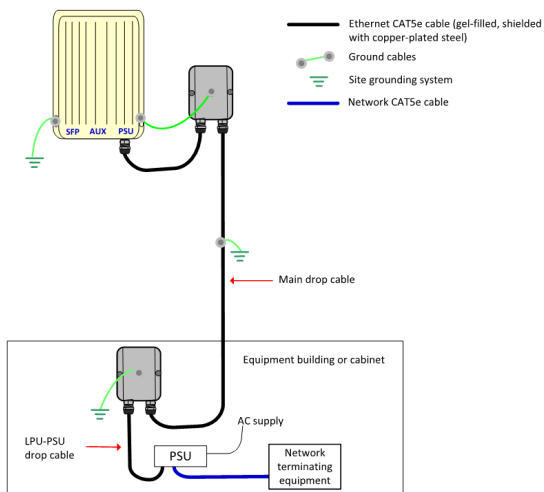


Figura 2 Installazione su traliccio

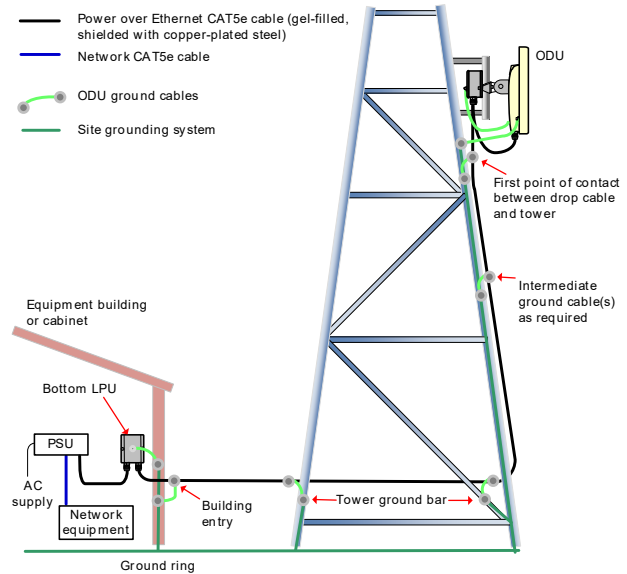


Figure 3 Installazione a parete (450i)

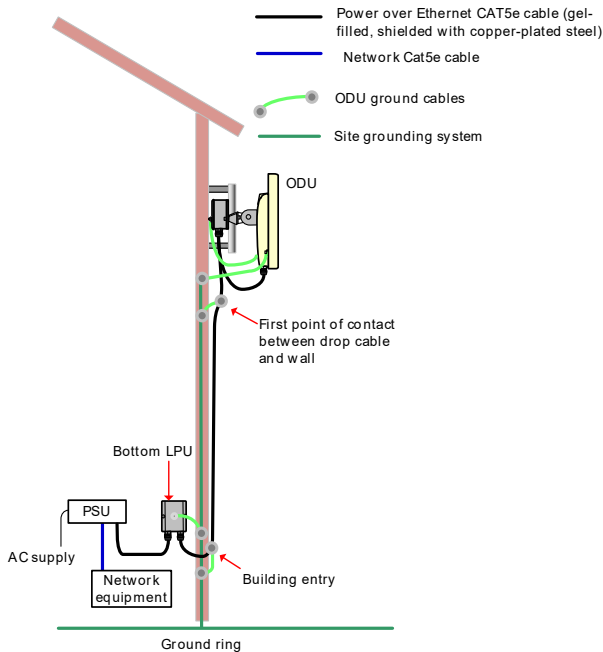
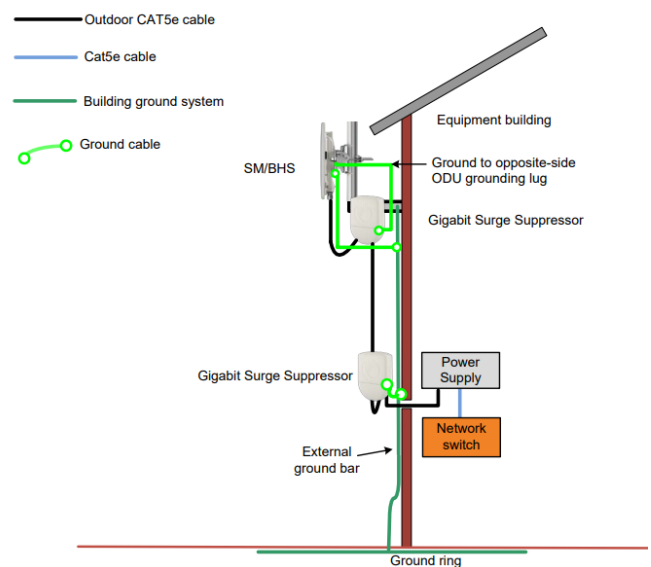


Figure 4 Installazione a parete (450 SM)



6. Panoramica dell'hardware

Interfacce PMP/PTP 450i

Le porte Ethernet e Sync/AUX sono posizionate sul retro delle unità ODU integrate e connettorizzate. L'unità ODU connettorizzata è riportata di seguito.

Immagine dei collegamenti dell'interfaccia



Parte anteriore dell'unità ODU connettorizzata



(Connettori femmina di tipo N per le interfacce del cavo RF all'antenna con porte A e B)

Port name	Connector	Interface	Description
Main PSU	RJ45	PoE input	Power over Ethernet (PoE)
		10/100/1000BASE-T Ethernet	Data
Sync/AUX	RJ45	10/100/1000BASE-T Ethernet	Data
		PoE output	Standard IEEE802.3at PoE
		Sync input/output	Connection and powering of UGPS Sync input

Interfacce PMP/PTP 450b

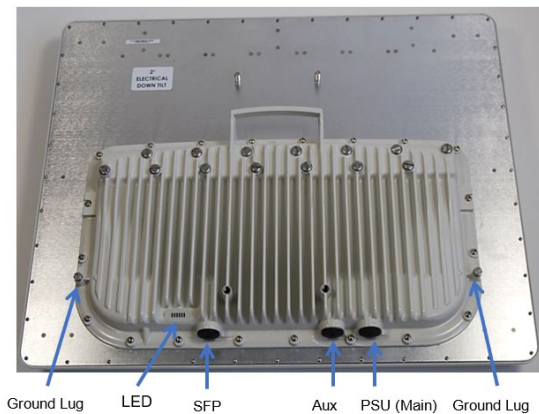
Di seguito viene mostrata l'unità Mid-Gain. Le interfacce sono le stesse per l'unità High-Gain.



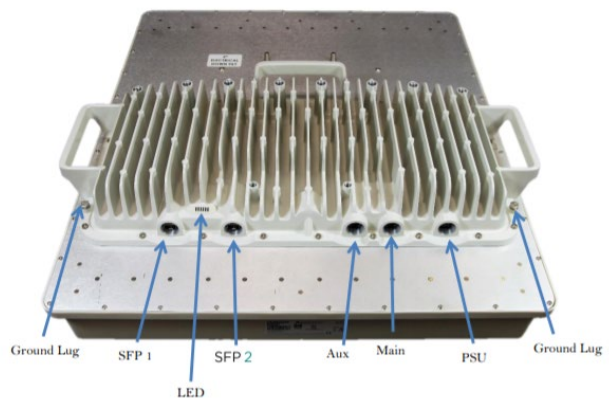
Port name	Connector	Interface	Description
PSU/Ethernet Port	RJ45	PoE input	Power over Ethernet (PoE)
		10/100/1000BASE-T Ethernet	Data
Audio AUX Port	Standard 3.5 mm headphones	Alignment tone input	3.5 mm audio jack for alignment tone

Interfacce PMP 450m AP

PMP 450m a 5 GHz



PMP 450m a 3 GHz



Definizione dell'interfaccia PMP 450m AP a 5 GHz

Nome porta	Connettore	Funzione dell'interfaccia	Descrizione
PSU (principale)	RJ45	Ingresso PoE	PoE (Power over Ethernet)
		Ethernet 10/100/1000 BaseT	Dati
Aux	RJ45	Ethernet 10/100 BaseT	Dati
		Uscita PoE	PoE standard IEEE802.3at
		Ingresso/uscita sincronizzazione	Collegamento e alimentazione dell'ingresso sincronizzazione UGPS
SFP	SFP	EoC (Ethernet over Copper) da 2,5 Gbps e da 1 Gbps	Dati e servizi di gestione. Modulo SFP plug-in da acquistare separatamente
Cavi di messa a terra		Cavo di rame da 10 AWG	Per la messa a terra dell'unità

Definizione dell'interfaccia PMP 450m AP a 3 GHz

Nome porta	Connettore	Funzione dell'interfaccia	Descrizione
PSU	4 pin	Ingresso alimentazione CC	40 V - 60 V oltre a Cambium Sync-over-power

Principale	RJ45	Ethernet	Ethernet 10/100/1000Base-T, oltre a Cambium Sync-over-data
Aux	RJ45	Ethernet	Ethernet 10/100Base-T con uscita PoE
		Sincronizzazione	Porta di sincronizzazione UPGS
		Allineamento	Toni audio
SFP 1	SFP	Ethernet	Modulo SFP
SFP 2	SFP	Ethernet	Modulo SFP (singolo o doppio)
Cavi di messa a terra		Cavo di rame da 10 AWG	Per la messa a terra dell'unità

Alimentatori

L'alimentazione viene trasmessa all'unità ODU tramite un iniettore PoE, ad eccezione del modello PMP 450m a 3 GHz dove l'alimentazione e i dati vengono forniti separatamente. Tutti gli iniettori di alimentazione e gli alimentatori della serie Cambium Networks sono progettati per ambienti interni. Nella seguente tabella vengono riportate le varianti degli alimentatori Cambium Networks disponibili per ciascun modello di apparecchiatura radio della serie 450.

Modello	30 V CC	56 V CC	802.3af	802.3at	N000900L001B/c Gigabit (15 W)	N000900L002A 100 Base T (15 W) -	N000000L034A (CA) – 30 W. 56 V CC	N000065L001C (CA) – 60 W	C000065L002C (CA+CC) – 100 W	N000000L054B (AC) 54 V 240 W
PMP 450 AP	X	-	-	-	X	X*	-	-	-	-
PMP 450 SM	X	-	-	-	X*	X*	-	-	-	-
PTP 450	X	-	-	-	X*	X*	-	-	-	-
PMP/PTP 450b	X	-	-	-	X	X*	-	-	-	-
PMP 450i AP	-	X	-	X	-	-	X	X	X	-
PMP 450i SM	-	X	-	X	-	-	X	X	X	-
PTP 450i	-	X	-	X	-	-	X	X	X	-
PMP 450m a 5 GHz	-	X	-	-	-	-	-	-	X	-
PMP 450m a 3 GHz	-	-	-	-	-	-	-	-	-	X

*Solo modalità 100 Base T- (no Gigabit)

Il cavo di alimentazione CA viene fornito separatamente dall'alimentatore. Sono disponibili varianti regionali.

Le varianti degli alimentatori sono visualizzate di seguito:

Tipo di iniettore di alimentazione

Immagini dell'iniettore di alimentazione

Alimentatore PMP/PTP 450/450b

Ingresso CA: 90-264 VCA, 0,5 A rms

Uscita CC: 30,0 V cc +/-5%, 15 W, 500 mA max

Connettori RJ 45: due (ingresso dati e uscita dati e alimentazione)

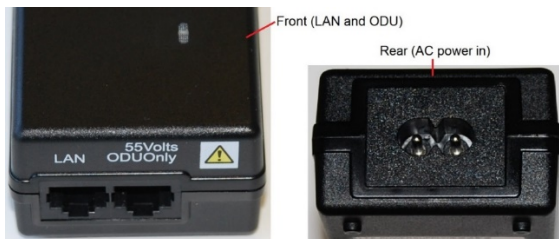


Iniettore di alimentazione CA (per 450i)

Ingresso CA: ingresso alimentazione CA (alimentazione principale)

Uscita ODU: connettore RJ45 per collegare il cavo Cat5e all'unità ODU

Porta LAN: connettore RJ45 per collegare il cavo Cat5e all'apparecchiatura di rete



Iniettore di alimentazione potenziato CA + CC

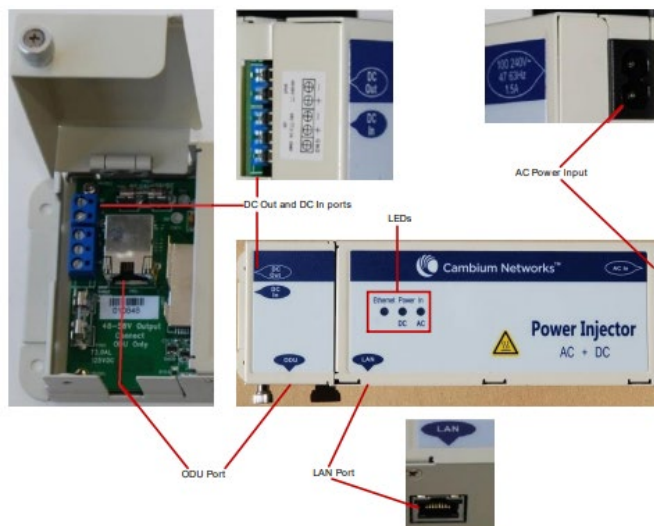
Ingresso alimentazione CA: 100-240 V 47-63 Hz 1,5 A

Ingresso CC: ingresso alimentatore CC alternativo

ODU: connettore RJ45 per collegare il cavo Cat5e all'unità ODU

LAN: connettore RJ45 per collegare il cavo Cat5e alla rete

Uscita CC: uscita alimentazione CC a una seconda PSU (per ridondanza alimentazione) o a una NIDU



Avvertenza

Il modulo SM (Subscribe Module) integrato High Gain e rinforzato PMP 450 (numeri di parte Cambium C035045C014A e C036045C014A), sebbene sia posizionato all'interno di un involucro di tipo 450i, contiene un circuito 450 che deve essere alimentato tramite 30 V CC. Se si alimentano tali moduli SM con 56 V CC, si danneggia il dispositivo.

Unità di protezione da sovratensione

Nella seguente tabella vengono riportati i soppressori di picchi idonei per ogni modello di apparecchiatura radio della serie 450.

Modello	30 V CC	56 V CC	C000000L065A Soppressore di picco Gigabit	600SSH (100 BASE T)	C000000L033A Soppressore di picco Gigabit	C000065L007B Kit unità di protezione dai	C000000L114A Kit unità di protezione dai
PMP 450 AP	X	-	X	X	-	-	-
PMP 450 SM	X	-	X	X	-	-	-
PTP 450	X	-	X	X	-	-	-
PMP 450b	X	-	X	X	-	-	-
PMP 450i AP	-	X	-	-	X	X	-
PMP 450i SM	-	X	-	-	X	X	-
PTP 450i	-	X	-	-	X	X	-
PMP 450m AP a 5 GHz	-	X	-	-	-	X	-
PMP 450m AP a 3 GHz	-	-	-	-	-	-	X

Cambium Networks SCONSIGLIA di distribuire unità di protezione da sovratensione con tubi di scarico dei gas sulle piattaforme PMP 450i o PMP 450b.

Altri accessori

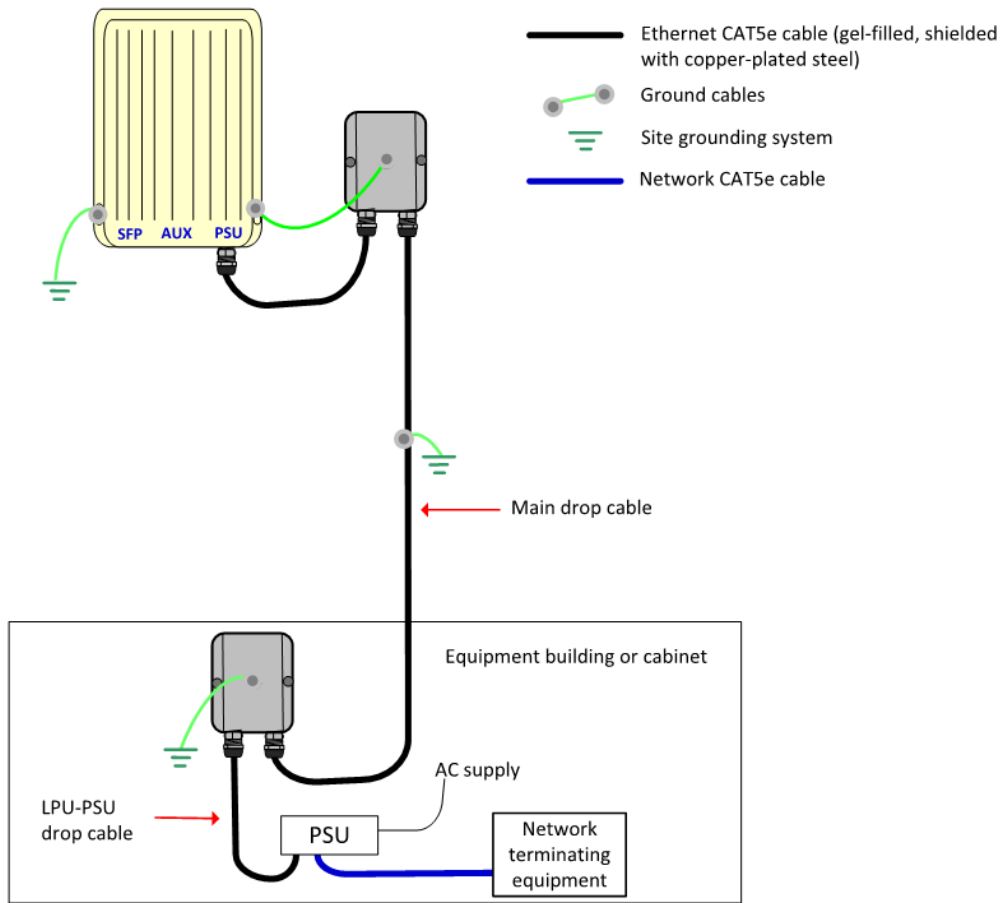
Cambium Networks offre una vasta gamma di accessori quali cavi di alimentazione, cavi di derivazione, cavi per la messa a terra e così via. Per ulteriori informazioni, consultare la guida per l'utente o la guida all'ordinazione.

7. Installazione e collegamento dell'apparecchiatura

Prima di procedere con l'installazione, consultare le normative nazionali e assicurarsi di aver ottenuto tutte le apposite licenze normative. Prima dell'installazione, pianificare accuratamente il posizionamento delle unità ODU per garantire una buona copertura radio e ridurre al minimo le interferenze. Per ottimizzare le prestazioni del collegamento, utilizzare strumenti di programmazione delle apparecchiature radio quali LINKPlanner. L'installazione e la messa in servizio delle apparecchiature deve essere eseguita da personale qualificato.

Installazione di base delle unità ODU

1. Pre-configurare l'unità ODU come descritto nella sezione successiva (sezione 8).
2. Installare le unità ODU nello stato spento.
3. Posizionare le unità ODU in modo tale che il collegamento non sia ostruito dall'apparecchiatura radio e che nessun oggetto penetri nella zona di Fresnel.
4. Per le AP, utilizzare una mappa di zona, una bussola e/o un dispositivo GPS per determinare la direzione di puntamento in base alla disposizione dei settori. Impostare l'adeguato angolo di inclinazione verso il basso.
5. Collegare i cavi all'unità ODU come mostrato nella seguente immagine.
 - a. Collegare un cavo Ethernet dalla porta "Data" o "LAN" dell'alimentatore PoE alla porta Ethernet di un notebook idoneo.
 - b. Collegare il cavo di derivazione dall'unità ODU alla porta "Data + Power" oppure "ODU" dell'alimentatore.
 - c. Posizionare i soppressori di picchi come mostrato e collegare i cavi di messa a terra come richiesto.
 - d. Collegare l'alimentatore a una fonte di alimentazione.
 - e. Isolare i collegamenti esterni in modo che siano idrorepellenti.



Installazione di un modulo SM (Subscriber Module) della serie 450

Per garantire il corretto allineamento del modulo SM è necessario eseguire ulteriori passaggi.

- È necessario eseguire una procedura di allineamento approssimativo utilizzando lo strumento o il tono di allineamento.
- È necessario verificare il collegamento dall'AP al modulo SM controllando il livello di alimentazione, testando il collegamento e controllando i valori di registrazione e della sessione.

Per ulteriori informazioni, consultare la guida per l'utente.

Installazione dei collegamenti PTP della serie 450

La procedura per l'installazione di un BHM (Backhaul Master) è simile a quella descritta per un AP (Access Point). Quando si installa il BHS (Backhaul Slave) è necessario eseguire una procedura di allineamento approssimativo utilizzando lo strumento o il tono di allineamento. Per ulteriori informazioni, consultare la guida per l'utente.

Per ulteriori informazioni sul montaggio, sul collegamento dei cavi e sull'allineamento, consultare la guida per l'utente o il materiale formativo per la serie 450. Le guide sono disponibili sul sito Web di Cambium Networks, vedere i link in calce al presente documento.

8. Configurazione di un'apparecchiatura radio della serie 450 in modo che sia conforme alle normative nazionali

Cambium raccomanda di preconfigurare le unità "sul bancone" prima della distribuzione.

Collegare l'unità della serie 450 all'alimentatore PoE e a un PC idoneo.

- Collegare un cavo Ethernet dal PC alla porta "Data" sull'alimentatore PoE.
- Collegare un altro cavo Ethernet dalla porta "data and power" dell'alimentatore PoE all'apparecchiatura radio 450.
- Inserire il cavo dell'alimentatore PoE in una presa di corrente e accendere.
- Verificare che il LED di alimentazione sull'alimentatore PoE si accenda.

Sulle apparecchiature radio della serie 450:

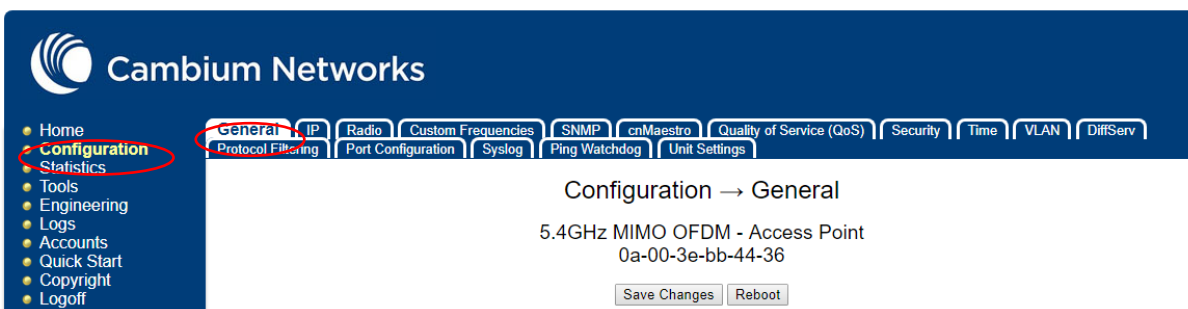
- Controllare che la spia LED Ethernet arancione lampeggi lentamente per 10 volte.
- Verificare che la spia LED Ethernet si accenda quindi fissa.

Sul PC, configurare la porta Ethernet su un indirizzo IP statico compreso nell'intervallo 169.254.X.X, evitando 169.254.0.0 e 169.254.1.1. Un esempio di indirizzo valido è 169.254.1.3. Immettere la subnet mask 255.255.0.0. Lasciare vuoto il campo relativo al gateway predefinito.

- Aprire un qualsiasi browser Web e accedere all'indirizzo Web predefinito di fabbrica 169.254.1.1 ed eseguire l'accesso.
- Immettere il nome utente (il nome utente predefinito è admin) e la password (la password predefinita è admin) e fare clic su Accedi.

Verrà visualizzato il menu dell'interfaccia Web della serie 450 e la pagina Riepilogo di sistema.

Dal menu a sinistra della pagina Web, selezionare "Configurazione" come mostrato:



Fare clic sulla scheda “Generale” e scorrere fino alla finestra “Impostazioni locali”:



Region :	Europe
Country :	Other

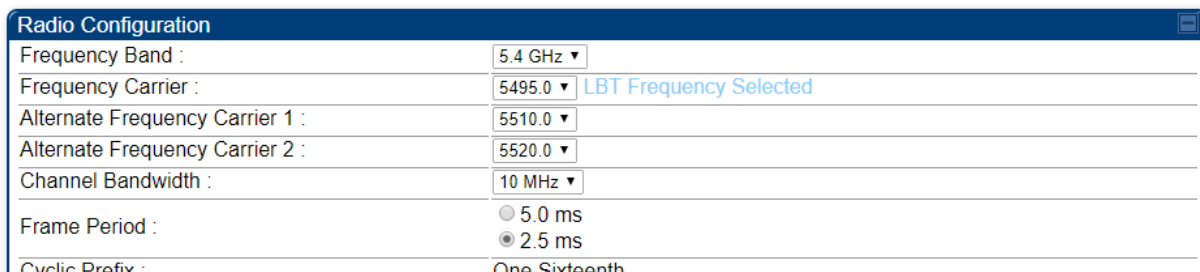
Controllare che il codice “Regione” corrisponda alla regione in cui verrà distribuita l’unità. In caso contrario, selezionare la regione corretta, altrimenti non proseguire.

Fare clic sulla scheda “Paese” e dall’elenco a discesa selezionare il Paese in cui verrà distribuita l’unità. Nel caso in cui non sia presente, selezionare “Altro”.

Premere il pulsante “Salva modifiche”, quindi “Riavvia”.

Al termine del riavvio, eseguire nuovamente l’accesso.

Accedere alla scheda “Radio”. Nel menu “Configurazione radio” selezionare la banda di frequenza richiesta, quindi premere il pulsante “Salva modifiche”, quindi “Riavvia”. Al termine del riavvio, eseguire nuovamente l’accesso e accedere nuovamente al menu “Configurazione radio” e selezionare un operatore e una larghezza di banda appropriati. Per le bande a 5,4 GHz e 5,7 GHz per le versioni UE dell’apparecchiatura radio potrebbe essere necessario selezionare operatori “Alternativi”.



Frequency Band :	5.4 GHz
Frequency Carrier :	5495.0 LBT Frequency Selected
Alternate Frequency Carrier 1 :	5510.0
Alternate Frequency Carrier 2 :	5520.0
Channel Bandwidth :	10 MHz
Frame Period :	<input type="radio"/> 5.0 ms <input checked="" type="radio"/> 2.5 ms
Cyclic Prefix :	One Sixteenth

Premere il pulsante “Salva modifiche”, quindi “Riavvia”.

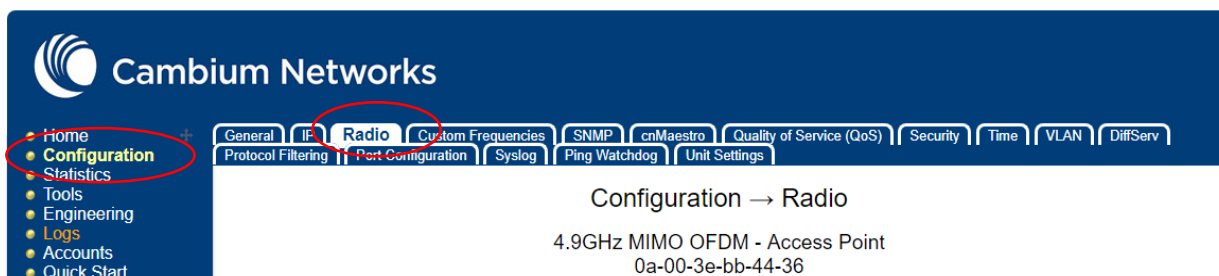
Al termine del riavvio, accedere nuovamente al menu “Controllo alimentazione” tramite la scheda “Radio”. Verificare che l’EIRP sia impostato sul valore corretto per il Paese in cui viene distribuita l’apparecchiatura radio. Non proseguire fino a quando l’EIRP è configurato in modo che sia conforme alle normative nazionali. Se si sta configurando un’unità connettorizzata, attenersi alle istruzioni riportate nella sezione “Unità connettorizzate della serie 450i a 5 GHz- ulteriori passaggi”.

Ulteriori passaggi di configurazione

Ora configurare altri parametri delle unità 450. Se si seleziona il menu “Avvio rapido” e ci si attiene alle istruzioni visualizzate, sarà possibile impostare la configurazione minima richiesta per il funzionamento.

Unità connettorizzate, ulteriori passaggi

Per configurare un’apparecchiatura radio connettorizzata affinché funzioni con l’antenna esterna, è necessario inserire il guadagno di antenna nell’interfaccia grafica utente (GUI) “Radio”. Nella pagina Web 450, selezionare “Configurazione” dal menu a sinistra, quindi la scheda “Radio”.



Cambium Networks

- Home
- Configuration**
- Statistics
- Tools
- Engineering
- Logs
- Accounts
- Quick Start

General | IP | **Radio** | Custom Frequencies | SNMP | cnMaestro | Quality of Service (QoS) | Security | Time | VLAN | DiffServ

Protocol Filtering | Port Configuration | Syslog | Ping Watchdog | Unit Settings

Configuration → Radio

4.9GHz MIMO OFDM - Access Point
0a-00-3e-bb-44-36

Quindi accedere alla finestra “Controllo alimentazione” e immettere il guadagno dell’antenna esterna in dBi nella seconda casella a discesa. L’apparecchiatura radio imposterà automaticamente la potenza di trasmissione appropriata (sebbene potrebbe essere richiesto di riavviarla).

Power Control	
Transmit Power :	11 dBm (Range: -30 — +20 dBm) (8 dBm V / 8 dBm H)
External Gain :	16 dBi (Range: 0 — +40 dBi)
SM Receive Target Level :	-52 dBm (Range: -77 — -37 dBm) combined power
Adjacent Channel Support :	<input type="radio"/> Enabled <input checked="" type="radio"/> Disabled

Verificare che il valore visualizzato nella casella “Potenza di trasmissione” aggiunto al “Guadagno esterno” non superi la potenza irradiata consentita (EIRP) in base alle normative nazionali.

Tenere presente che la GUI dell’interfaccia Web 450 è limitata in modo che non sia possibile immettere guadagni di antenna eccessivi.

9. Antenne esterne

Antenne esterne raccomandate

Cambium Networks consiglia l’utilizzo delle seguenti antenne con le unità connettorizzate PMP 450/450i AP:

- Numero di parte Cambium 85009324001 - Antenna da 5 GHz per settore a 90°, guadagno da 17dBi.
- Numero di parte Cambium C030045D901A - Antenna dual slant da 3,3-3,8 GHz per settore a 90°.

Per unità PTP 450i connettorizzata a 5 GHz, Cambium Networks consiglia le seguenti antenne satellitari.

Numero di parte Cambium	Descrizione
RDH4503B	0,6 m da 5,25-5,85 GHz, 29,0 dBi, doppia polarizzazione, H-Pol e V-Pol, con regolazioni di precisione
RDH4504B	0,9 m da 5,25-5,85 GHz, 32,5 dBi, doppia polarizzazione, H-Pol e V-Pol
RDH4505B	1,2 m da 5,25-5,85 GHz, 34,9 dBi, doppia polarizzazione, H-Pol e V-Pol
RDH4506B	1,8 m da 5,25-5,85 GHz, 37,9 dBi, doppia polarizzazione, H-Pol e V-Pol
RDH4508B	0,6 m da 5,25-5,85 GHz, 28,8 dBi, doppia polarizzazione ad alte prestazioni
RDH4509B	0,9 m da 5,25-5,85 GHz, 32,3 dBi, doppia polarizzazione ad alte prestazioni
RDH4510B	1,2 m da 5,25-5,85 GHz, 34,7 dBi, doppia polarizzazione ad alte prestazioni
RDH4511B	1,8 m da 5,25-5,85 GHz, 37,7 dBi, doppia polarizzazione ad alte prestazioni

Antenne alternative per unità connettorizzate

Le unità connettorizzate della serie 450 a 5 GHz sono progettate per collegarsi a un’antenna a doppia polarizzazione tramite la polarizzazione verticale e orizzontale (VH).

Per le unità connettorizzata della serie 450 a 3 GHz si consiglia l’uso di un’antenna esterna a doppia polarizzazione con polarizzazione dual slant.

Le apparecchiature radio della serie 450i/450 sono state testate per essere conformi alla normativa UE utilizzando i tipi di antenne riportati di seguito. Viene riportato il guadagno massimo di ogni tipo di antenna. È possibile utilizzare antenne con un guadagno uguale o inferiore o dello stesso tipo di antenna. Nei Paesi dell’UE, **NON** utilizzare un’antenna con un guadagno superiore. Per ridurre le possibili interferenze radio ad altri utenti, il tipo di antenna e il relativo guadagno devono essere scelti in modo che la potenza isotropa equivalente irradiata (EIRP) non sia più di quanto necessario per garantire una corretta comunicazione.

Tipo di antenna	Guadagno di antenna del produttore (dBi)			
	Banda a 4,9 GHz	Banda a 5,1 GHz	Banda a 5,4 GHz	Banda a 5,8 GHz
Parabolica da 6 piedi	37,2	37	-	38,1
Parabolica da 4 piedi	-	-	34,9	-
A piani paralleli	28	28,5	28,5	28,5
Settorizzata	17	17	17	17
OMNI	13	13	13	13

10. Altri accessori disponibili presso Cambium Networks

Sincronizzazione GPS

Cambium offre una funzione di sincronizzazione GPS (Global Positioning System) per limitare l'auto-interferenza della rete. Gli AP (Access Point) o Backhaul Master della serie 450 accetteranno un segnale di sincronizzazione GPS da un generatore di sincronizzazione "cnPulse" o da un "modulo UGPS". Queste unità possono assicurare una sincronizzazione fino a due apparecchiature radio. Nei casi in cui su una struttura siano presenti più di due apparecchiature radio, è possibile utilizzare un modulo CMM (Cluster Management Module) per distribuire la sincronizzazione a diverse apparecchiature radio.

Unità cnPulse e UGPS (Universal GPS)

L'unità cnPulse o UGPS consente la sincronizzazione di rete per reti di dimensioni più piccole dove un modulo CMM potrebbe non essere economicamente conveniente. Tali unità di sincronizzazione funzionano con tutte le apparecchiature radio Cambium della serie 450. Hanno un ingombro ridotto e sono semplici da distribuire.



Modulo CMM (Cluster Management Module)

Il modulo CMM consente la distribuzione della sincronizzazione GPS (Global Positioning System) all'AP e a tutti i moduli SM (Subscriber Module) associati. Il modulo CMM distribuisce la potenza, la sincronizzazione GPS e le connessioni di rete per un cluster AP. Può essere dotato di uno switch interno o essere acquistato senza di esso in modo che l'operatore di rete possa installare quello che preferisce. Può comunicare con una serie di unità ODU AP differenti ubicate nello stesso traliccio, oltre che con unità ODU PTP (Point-to-Point), assicurando così la connettività per un intero sito. Il modulo CMM può connettersi fino a otto apparecchiature radio sulla stessa struttura e un feed Ethernet. Per assicurare la sincronizzazione con il modulo CMM è necessaria un'unità GPS esterna.

Modulo CMM5

Il modulo CMM5 (Cluster Management Module) è l'ultima generazione di soluzioni per la distribuzione dei segnali di sincronizzazione TDD e PoE (Power-over-Ethernet) sul campo. Ha un design modulare con singoli iniettori di alimentazione a 4 porte e un dispositivo di controllo opzionale utilizzato per la gestione da remoto.

Caratteristiche principali del modulo CMM5:

- Supporto per Gigabit Ethernet (1000BaseT)
- Modulare e scalabile da 4 a 32 porte
- Ingresso diretto +/- 48 V CC (sono disponibili alimentatori CA/CC opzionali presso Cambium Networks)
- Utilizza unità UGPS Cambium Networks come fonte di sincronizzazione
- Doppi ingressi di alimentazione resilienti



11. Funzionamento nell'UE

Bande di frequenza, potenza operativa massima, distanza di sicurezza

Unità a 5 GHz

Nell'UE, i prodotti della serie PMP 450 a 5 GHz operano nelle seguenti bande di frequenza fino alla potenza massima indicata:

Banda di frequenza operativa	Standard UE	Limite di potenza massima (EIRP)	Uso consentito	Unità a 5 GHz che supportano questa banda di frequenza
5470 – 5725 MHz	EN 301 893	1 W/30 dBm	Disponibile per uso generale in tutti i Paesi dell'UE	L'intera serie 450
5725 – 5875 MHz	EN 302 502	4 Watt/36 dBm	Consentito in alcuni Paesi dell'UE, vedere le note 1 e 2	L'intera serie 450

Nota 1: l'uso nella banda a 5,8 GHz NON è consentito nei Paesi europei AT, BG, CZ, CY, FR, HR, IT, LU, LV, NL, PL, TR. In altri Paesi, per consentirne l'uso potrebbero essere richieste licenze governative. Per informazioni, consultare il sito Web governativo nazionale.

Nota 2: l'apparecchiatura radio applica apposite allocazioni di frequenza nazionali, impostazioni di alimentazione e DFS per ogni codice Paese.

Per i prodotti della serie 450 a 5 GHz utilizzati nell'UE, la distanza minima di sicurezza tra l'apparecchiatura e l'uomo è 25 cm.

Nota: se un'unità connessa viene usata con un'antenna High-Gain, l'installatore deve calcolare la distanza di sicurezza minima in funzione del guadagno dell'antenna.

Unità a 3 GHz

Nell'UE, i prodotti della serie PMP 450 a 3 GHz operano nelle seguenti bande di frequenza fino alla potenza massima indicata:

Banda di frequenza operativa	Standard UE	Limite di potenza massima (EIRP)	Uso consentito	Unità a 3 GHz che supportano questa banda di frequenza
3410 – 3800 MHz	EN 302 326-1 EN 302 326-2	501 W/ 57 dBm	In Europa, questa banda è assegnata su licenza. Vedi Nota 1	Vedi Nota 2

Nota 1: prima dell'installazione, è necessario ottenere il rilascio di una licenza dall'autorità nazionale competente. La licenza deve specificare la frequenza autorizzata, la larghezza di banda e la potenza massima da utilizzare. Impostare l'apparecchiatura di conseguenza.

Nota 2: nei Paesi europei, la frequenza di funzionamento per i dispositivi PMP 450i a 3 GHz e PMP 450m a 3 GHz è 3410 - 3800 MHz; per i dispositivi PMP 450 SM a 3,5 GHz è 3410 - 3600 MHz; per i dispositivi PMP 450 SM a 3,65 GHz è 3550 - 3800 MHz.

Per i prodotti 450m utilizzati nell'UE, la distanza minima di sicurezza tra l'apparecchiatura e l'uomo è 2,3 metri.

Per tutti gli altri prodotti della serie 450 utilizzati nell'UE, la distanza minima di sicurezza tra l'apparecchiatura e l'uomo è 50 cm.

Nota: se un'unità connettorizzata viene usata con un'antenna High-Gain, l'installatore deve calcolare la distanza di sicurezza minima in funzione del guadagno dell'antenna.

Funzionamento nell'UE - Restrizioni e requisiti per l'autorizzazione all'uso

- La presente apparecchiatura radio è da utilizzarsi esclusivamente all'esterno.
- La serie 450 dei prodotti Cambium può essere configurata per funzionare sia in bande di frequenza concesse in licenza sia in quelle non concesse in licenza subordinatamente alla pianificazione delle frequenze all'interno dei singoli Paesi. Gli Operatori/Utenti finali devono assicurarsi che l'apparecchiatura sia installata e messa in funzione in conformità ai regolamenti applicabili al Paese di funzionamento e devono ottenere tutte le licenze o tutti i permessi necessari.

Dichiarazione di conformità UE semplificata

Con il presente documento, il produttore Cambium Networks Ltd, dichiara che i tipi di apparecchiature radio:-

- | | |
|-----------------------|-----------------------|
| - 5 GHz PMP 450i | - 3,5 GHz PMP 450 SM |
| - 5 GHz PTP 450i | - 3,65 GHz PMP 450 SM |
| - 5 GHz 450b Mid-Gain | - 3 GHz PMP 450i |
| - 5 GHz 450b Mid-Gain | - 3 GHz PMP 450m |
| - 5 GHz PMP 450m | |

sono conformi alla Direttiva 2014/53/UE. Il testo integrale della dichiarazione di conformità UE è disponibile al seguente indirizzo internet: http://www.cambiumnetworks.com/eu_dofc

Direttiva sui Rifiuti di apparecchiature elettriche ed elettroniche (RAEE)



Si prega di non smaltire le Apparecchiature elettriche ed elettroniche o i loro Accessori insieme ai rifiuti domestici. In alcuni Paesi o regioni, sono stati allestiti sistemi di raccolta per trattare i rifiuti di apparecchiature elettriche ed elettroniche. Nei Paesi dell'Unione europea, si prega di rivolgersi al proprio rappresentante locale fornitore dell'apparecchiatura o al Centro Assistenza di Cambium Networks per informazioni sul sistema di raccolta dei rifiuti nel proprio Paese.

12. Cambium Networks

Cambium Networks offre soluzioni a microonde e a banda larga wireless e fisse di livello professionale a clienti in tutto il mondo. Le nostre soluzioni sono distribuite in migliaia di reti in oltre 153 Paesi con le nostre tecnologie innovative che assicurano una connettività sicura e a costi ridotti, facili da distribuire e note per garantire prestazioni straordinarie.

Le nostre rinomate soluzioni radio PTP (Point to Point) funzionano con licenza, senza licenza e bande di frequenza con uso specifico, comprese soluzioni FIPS 140-2 specifiche per il mercato federale statunitense. Rinforzate per garantire la disponibilità al 99,999%, le soluzioni PTP di Cambium Networks sono note per

offrire una connettività backhaul ad alta velocità e affidabile anche nei più impegnativi ambienti RF non in linea di vista.

Le flessibili soluzioni PMP (Point-to-Multipoint) funzionano nelle bande di frequenza con licenza, senza licenza e federali, offrendo reti di accesso affidabili, sicure e a costi contenuti. Con più di tre milioni di moduli distribuiti nelle reti di tutto il mondo, l'efficacia delle soluzioni di rete per l'accesso PMP di Cambium Networks è comprovata nell'accesso residenziale, nella sostituzione di linee affittate, nella video sorveglianza e nelle applicazioni con infrastrutture intelligenti a griglia.

Le soluzioni Cambium Networks sono comprovate e riconosciute nel settore della banda larga wireless. Cambium Networks progetta, distribuisce e offre soluzioni di connettività dati, voce e video innovative che consentono e assicurano le comunicazioni vitali, contribuendo alla crescita personale, commerciale e delle comunità in qualsiasi parte del mondo.

Guide per l'utente:	http://www.cambiumnetworks.com/guides
Documentazione tecnica:	https://learning.cambiumnetworks.com
Sito Web per l'assistenza:	https://support.cambiumnetworks.com
Sito Web principale:	http://www.cambiumnetworks.com
Vendite:	solutions@cambiumnetworks.com
Assistenza:	https://support.cambiumnetworks.com
Elenco numeri di telefono:	http://www.cambiumnetworks.com/contact-us/
Indirizzo:	Cambium Networks Limited, Linhay Business Park, Eastern Road, Ashburton, Devon, TQ13 7UP United Kingdom

1. Wprowadzenie

Dziękujemy za zakup urządzeń platformy Cambium Networks serii 450. Niniejszy przewodnik wprowadzający ma na celu pomóc operatorom w nabyciu wysokiego poziomu wiedzy na temat platformy sprzętowej z serii 450, metod instalacji, wstępnych procedur logowania oraz informacji dotyczących bezpieczeństwa/gwarancji. Niniejszy przewodnik wprowadzający dotyczy wszystkich produktów platformy serii 450.

2. Opis produktu

Moduły radiowe Cambium Networks serii 450 obsługują transmisję danych przez łącza mikrofalowe typu Point to MultiPoint (PMP) i Point to Point (PTP). Moduły radiowe (zwane również „modułami zewnętrznymi” lub „ODU”) są przeznaczone do zastosowań profesjonalnych, wyłącznie w stacjonarnych instalacjach zewnętrznych.

PMP (Point-to-Multipoint)

Platforma serii PMP 450 składa się z punktu dostępowego (ang. Access Point, AP) oraz wielu modułów abonenckich (ang. Subscriber Module, SM) i modułów zewnętrznych (ang. Outdoor Unit, ODU). Łącze radiowe funkcjonuje na jednym kanale częstotliwości w każdym kierunku, wykorzystując technikę Time Division Duplex (TDD).

Moduły AP są sprzedawane w wersjach ze złączem anteny zewnętrznej, umożliwiającym podłączenie własnej anteny, bądź ze zintegrowaną anteną sektorową.

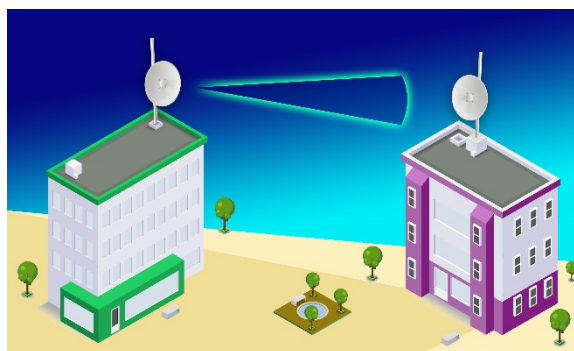
Moduły SM również są sprzedawane w wersjach ze złączem anteny zewnętrznej, umożliwiającym podłączenie własnej anteny, bądź ze zintegrowaną anteną sektorową.

PTP (Point-to-Point)

Platforma serii PTP 450 składa się z dwóch ODU łączy dosyłowych. Aby nawiązać połączenie radiowe między dwoma modułami radiowymi łączy dosyłowych, należy skonfigurować jeden moduł jako nadrzędny (ang. Backhaul Master, BHM), a drugi jako podrzędny (ang. Backhaul Slave, BHS).

Łącze radiowe funkcjonuje na jednym kanale częstotliwości, wykorzystując technikę Time Division Duplex (TDD).

Urządzenia platformy serii PTP są sprzedawane w wersjach ze złączem anteny zewnętrznej, umożliwiającym podłączenie własnej anteny, bądź ze zintegrowaną anteną sektorową.



3. Instalacja i obsługa

Instalacja i obsługa tego produktu są działaniami o wysokim stopniu złożoności, dlatego Cambium zaleca, aby były one realizowane przez odpowiednio wykwalifikowane osoby, aby zagwarantować zgodność z przepisami obowiązującymi w miejscu eksploatacji urządzenia. Należy postępować zgodnie z instrukcjami podanymi w niniejszym przewodniku wprowadzającym. Dodatkowe wskazówki na temat instalacji i obsługi sprzętu w schematach PMP i PTP zawiera podręcznik produktu (patrz łącza zawarte na końcu niniejszego przewodnika wprowadzającego).

Instalator musi mieć odpowiednie kwalifikacje, wiedzę i doświadczenie, aby przeprowadzić montaż. Zakres odpowiedzialności:

- Znajomość aktualnie obowiązujących przepisów w zakresie komunikacji radiowej, instalacji elektrycznych, ochrony przeciwprzepięciowej i pracy na wysokości.
- Przeprowadzenie instalacji zgodnie z wytycznymi Cambium Networks.
- Potwierdzenie, że parametry pracy urządzenia są zgodne z obowiązującymi przepisami krajowymi i regionalnymi.
- Znajomość materiałów szkoleniowych dostępnych na stronie internetowej Cambium Networks (patrz łącze poniżej).

Podczas instalacji należy przestrzegać następujących ważnych instrukcji. Zapewni to zgodność z obowiązującymi przepisami i zagwarantuje, że urządzenie będzie działać zgodnie z prawem.

- Upewnić się, że urządzenie serii 450 ma najnowszą wersję oprogramowania. Zgodność z przepisami zapewni wyłącznie oprogramowanie w wersji Canopy 16.x.x lub nowszej. Oprogramowanie jest dostępne do pobrania na stronie Cambium Support Centre (łącze poniżej).

4. Bezpieczeństwo użytkowania

Należy pamiętać o następujących zasadach:

- Upewnić się, że moduł zewnętrzny i konstrukcja, do której jest on zamocowany, są w stanie wytrzymać napór wiatru wiejącego z maksymalną prędkością odnotowaną w danym regionie.
- Podczas instalacji sprzęt nie może być pod napięciem. Urządzenie należy zawsze odłączać od źródła zasilania przed przystąpieniem do serwisowania.
- Gdy nadajnik jest włączony, w pobliżu anteny występują szkodliwe poziomy promieniowania o częstotliwości radiowej.
 - Należy przestrzegać minimalnej bezpiecznej odległości dla produktów z serii 450, którą podano poniżej.
 - Upewnić się, że urządzenie jest montowane w miejscu, gdzie promieniowanie nie będzie stwarzać zagrożeń dla ludzi.
- Należy zachować szczególną ostrożność podczas pracy na wysokości. Przestrzegać krajowych przepisów BHP w zakresie pracy na wysokości. Wszelkie prace powierzać personelowi mającemu wymagane kompetencje.
- Zachować szczególną ostrożność podczas pracy w pobliżu linii energetycznych.
- Instalację kabli zawsze powierzać wykwalifikowanemu elektrykowi.
- Moduł zewnętrzny (ODU) wymaga odpowiedniego uziemienia.
- Do zasilania sprzętu należy zawsze używać zasilaczy dedykowanych dla platformy Cambium 450. Użycie innego zasilacza niż dedykowany adapter PoE Cambium stwarza ryzyko uszkodzenia sprzętu i zagrożeń dla bezpieczeństwa.
 - Nie należy montować iniektorów zasilania w środowisku zewnętrznym.
- Konstrukcje, sprzęt i ludzie wymagają ochrony przed skutkami wyładowań elektrostatycznych:-
 - przez wybór miejsca montażu w strefie z ochroną odgromową;

- o przez instalację odpowiednich odgromników, które odprowadzą impuls elektryczny do ziemi z użyciem osobnego obwodu;
- o zaleca się podłączenie uziemienia i ochrony przeciwprzebieciowej. Należy stosować ochronniki przeciwprzebieciowe zalecane przez Cambium.
- Obudowa urządzenia w trakcie pracy może być rozgrzana.
- W przypadku połączeń narażonych na warunki zewnętrzne stosować kable przeznaczone do zastosowań zewnętrznych. Przy instalacji stosować kable zalecane przez Cambium.

5. Typowa instalacja

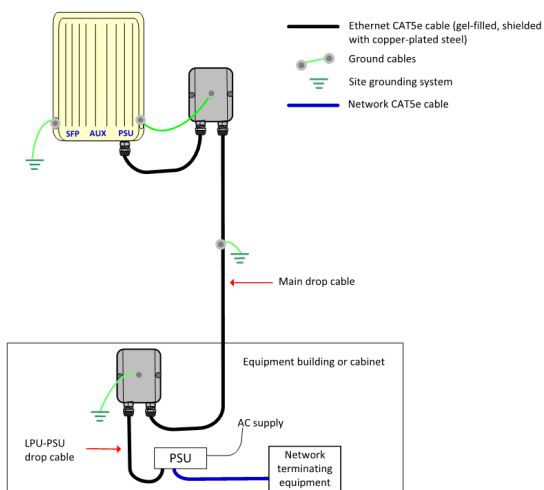
W najprostszej konfiguracji (rys. 1), ścieżka danych z urządzeń sieciowych (interfejs Ethernet), jest poprowadzona przez iniektor zasilania Power over Ethernet (PoE) (na rysunku oznaczony jako „zasilacz” [PSU]), a następnie przez kabel miedziany do ODU (port zasilacza). Należy również stosować zabezpieczenia przeciwprzebieciowe, jak pokazano na rysunku. Poniżej zilustrowano typowe instalacje na maszcie, wieży i ścianie (rys. 2, 3 i 4). Więcej szczegółowych opisów innych konfiguracji zawarto w podręczniku użytkownika.

Urządzenia radiowe należy usytuować w strefie z ochroną odgromową;

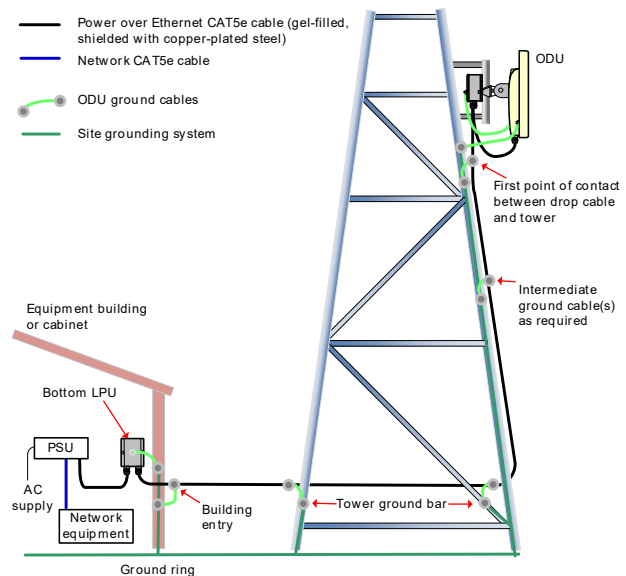
Urządzenia muszą znajdować na wysokości poniższej szczytu wieży, budynku, lub odgromowego łącza powietrznego

Należy zadbać o poprawne uziemienie wieży lub budynku

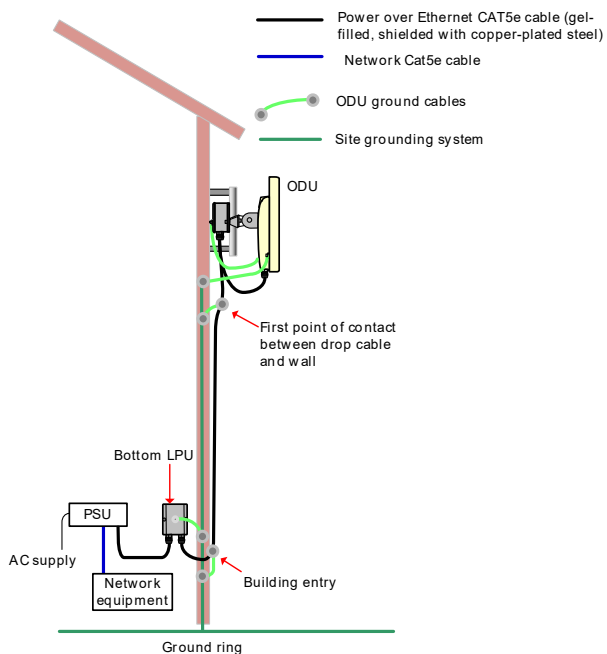
Rys. 1 Podstawowa konfiguracja



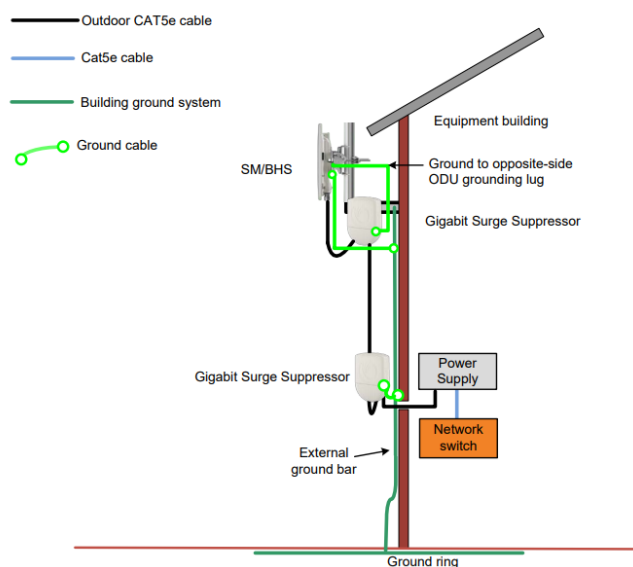
Rys. 2 Instalacja na maszcie lub wieży



Rys. 3 Instalacja na ścianie (450i)



Rys. 4 Instalacja na ścianie (450 SM)



6. Omówienie sprzętu

Interfejsy PMP/PTP 450i

Porty Ethernet i Sync/AUX znajdują się na tylnej ścianie ODU (zarówno tych ze zintegrowaną anteną, jak i tych ze złączem anteny zewnętrznej).

Na ilustracji pokazane jest ODU ze złączem anteny zewnętrznej.

Ilustracja połączeń interfejsu



Przód ODU ze złączem anteny zewnętrznej



(Złącza żeńskie typu N oznaczone A i B, umożliwiające podłączenie kabli anten radiowych.)

Port name	Connector	Interface	Description
Main PSU	RJ45	PoE input	Power over Ethernet (PoE)
		10/100/1000BASE-T Ethernet	Data
Sync/AUX	RJ45	10/100/1000BASE-T Ethernet	Data
		PoE output	Standard IEEE802.3at PoE
		Sync input/output	Connection and powering of UGPS Sync input

Interfejsy PMP/PTP 450b

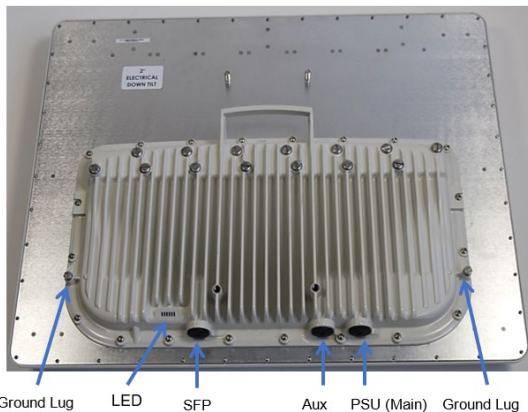
Na ilustracji przedstawiono moduł o średnim zysku. Interfejsy są takie same w module o wysokim zysku.



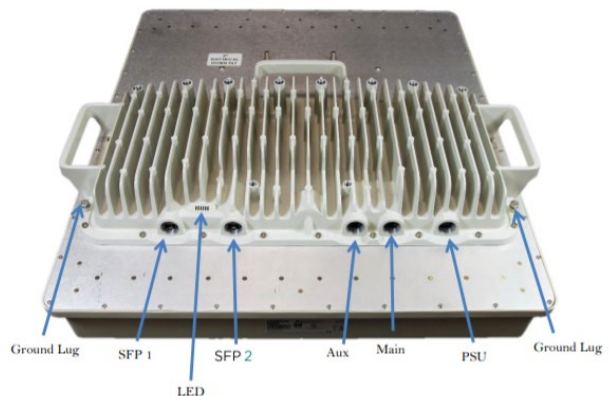
Port name	Connector	Interface	Description
PSU/Ethernet Port	RJ45	PoE input	Power over Ethernet (PoE)
		10/100/1000BASE-T Ethernet	Data
Audio AUX Port	Standard 3.5 mm headphones	Alignment tone input	3.5 mm audio jack for alignment tone

Interfejsy AP PMP 450m

5 GHz PMP 450m



3 GHz PMP 450m



Definicje interfejsów AP PMP 450m 5GHz

Nazwa portu	Złącze	Funkcja interfejsu	Opis
-------------	--------	--------------------	------

Zasilacz (główny)	RJ45	Wejście PoE	Power over Ethernet (PoE)
		Ethernet 10/100/1000 BaseT	Dane
Aux	RJ45	Ethernet 10/100 BaseT	Dane
		Wyjście PoE	Standard IEEE802.3at PoE
		Synchro we/wy	Podłączenie i zasilanie UGPS Sync wejście
SFP	SFP	Ethernet 2,5 Gb/s (miedz) i 1 Gb/s (miedz)	Usługi transmisji danych i zarządzania Moduł wtykowy SFP jest sprzedawany oddzielnie
Złącze uziemiające		Przewód miedziany grubości 10 AWG	do uziemiania modułu

Definicje interfejsów AP PMP 450m 3 GHz

Nazwa portu	Złącze	Funkcja interfejsu	Opis
Zasilacz	4-pin	Wejście zasilania DC	40 V - 60 V plus Cambium Sync-over-power
Główne	RJ45	Ethernet	Ethernet 10/100/1000Base-T, plus Cambium Sync-over-data
Aux	RJ45	Ethernet	Ethernet 10/100Base-T z wyjściem PoE
		Synchronizacja	Port synchronizacji UGPS
		Ułożenie	Sygnały audio
SFP 1	SFP	Ethernet	Moduł SFP
SFP 2	SFP	Ethernet	Moduł SFP (pojedynczy lub podwójny)
Złącze uziemiające		Przewód miedziany grubości 10 AWG	do uziemiania modułu

Zasilacze

ODU jest zasilane przez iniektor PoE. Wyjątkiem jest model PMP 450m 3 GHz, gdzie zasilanie i dane są przesyłane oddzielnymi przewodami. Wszystkie iniektory zasilania / zasilacze w ofercie Cambium Networks są przeznaczone do pomieszczeń zamkniętych. W poniższej tabeli wyszczególniono warianty zasilaczy Cambium Networks dla każdego modelu modułu radiowego 450.

Model	30 V DC	56 V DC	802.3af	802.3at	N000900L001B/c Gigabit (15 W)	N000900L002A 100 Base T (15 W) –	N000000L034A (AC) – 30 W. 56 V DC	N000065L001C (AC) – 60 W	C000065L002C (AC+DC) – 100 W	N000000L054B (AC) 54 V 240 W
PMP 450 AP	X	-	-	-	X	X*	-	-	-	-
PMP 450 SM	X	-	-	-	X*	X*	-	-	-	-
PTP 450	X	-	-	-	X*	X*	-	-	-	-
PMP / PTP 450b	X	-	-	-	X	X*	-	-	-	-
PMP 450i AP	-	X	-	X	-	-	X	X	X	-
PMP 450i SM	-	X	-	X	-	-	X	X	X	-
PTP 450i	-	X	-	X	-	-	X	X	X	-
5 GHz PMP 450m	-	X	-	-	-	-	-	X	-	-
3 GHz PMP 450m	-	-	-	-	-	-	-	-	-	X

*Tylko tryb 100 Base T (bez Gigabit)

Przewód zasilający AC jest dostarczany oddzielnie od zasilacza. Rodzaje zasilaczy i przewodów różnią się w zależności od regionu, w którym sprzedawane jest dane urządzenie.

Warianty zasilaczy przedstawiono poniżej:

Typ iniektora zasilania Rzuty iniektorów zasilania

Zasilacz PMP / PTP 450 / 450b

Wejście zasilania zmiennoprądowe:
90-264 V AC, 0,5 A rms

Wyjście stałoprądowe: 30,0 V DC +/-
5%, 15 W, maks. 500 mA

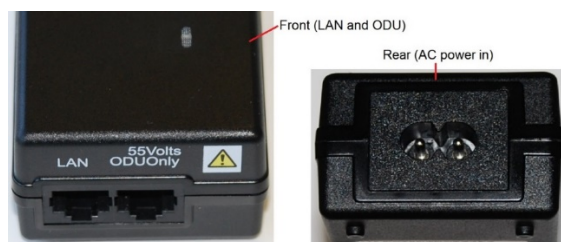
Gniazda RJ-45: Dwa (wejście danych i
wyjście danych/zasilania)



Iniektor zasilania AC (dla modelu 450i)

Wejście zasilania zmiennoprądowe:
Wejście zasilania zmiennoprądowe
(główne źródło zasilania)

Port ODU: Gniazdo RJ45 do
podłączenia kabla Cat5e do ODU



Port LAN: Gniazdo RJ45 do podłączenia kabla Cat5e do urządzenia sieciowego

Iniektor zasilania AC+DC

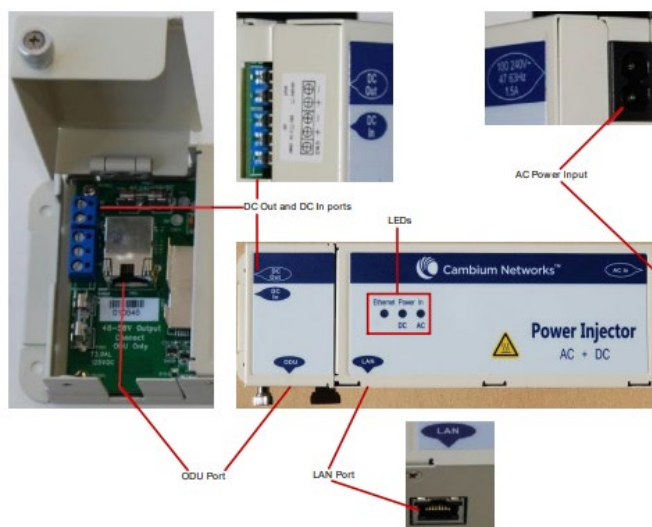
Wejście zasilania zmiennoprądowe: 100-240 V 47-63 Hz 1,5 A

Wejście stałoprądowe: Alternatywne wejście zasilania stałoprądowe

ODU: Gniazdo RJ45 do podłączenia kabla Cat5e do ODU

LAN: Gniazdo RJ45 do podłączenia kabla Cat5e do sieci

Wyjście stałoprądowe: Wyjście stałoprądowe do drugiego zasilacza (w celu zapewnienia redundancji źródła zasilania) lub do NIDU



Ostrzeżenie

Zintegrowany moduł abonencki o wysokim zysku i wysokiej odporności PMP 450 (nr katalogowe Cambium C035045C014A i C036045C014A) jest zamknięty w obudowie typu 450i i zawiera elektronikę urządzeń serii 450, która wymaga napięcia 30 V DC. Podanie napięcia 56 V DC do tych modułów abonenckich skutkuje ich uszkodzeniem.

Zabezpieczenia przeciwprzepięciowe

W poniższej tabeli wyszczególniono odpowiednie zabezpieczenia przeciwprzepięciowe dla każdego modułu radiowego serii 450.

Model	30 V DC	56 V DC	C000000L065A Gigabit Ethernet - zabezpieczenie	600SH (100 BASE T)	C000000L033A Gigabit Ethernet - zabezpieczenie	C000065L007B Zestaw modułu ochrony	C000001L114A Zestaw modułu ochrony
PMP 450 AP	X	-	X	X	-	-	-
PMP 450 SM	X	-	X	X	-	-	-
PTP 450	X	-	X	X	-	-	-
PMP 450b	X	-	X	X	-	-	-
PMP 450i AP	-	X	-	-	X	X	-
PMP 450i SM	-	X	-	-	X	X	-
PTP 450i	-	X	-	-	X	X	-
5 GHz PMP 450m AP	-	X	-	-	-	X	-
3 GHz PMP 450m AP	-	-	-	-	-	-	X

Cambium Networks NIE zaleca instalowania przy platformach PMP 450i lub PMP 450b zabezpieczeń przeciwprzebiegowych opartych na mechanizmach jarzeniowych.

Inne akcesoria

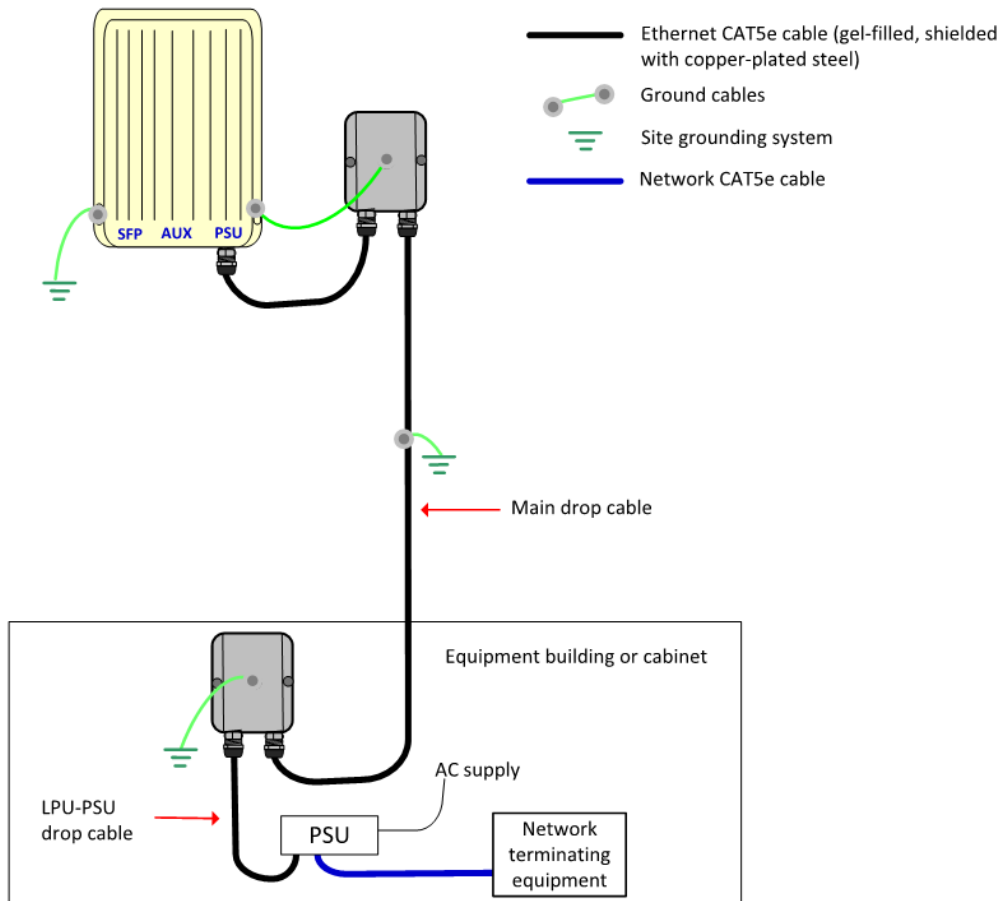
Cambium Networks oferuje szeroką gamę dodatkowych akcesoriów, takich jak przewody zasilające, kable dosyłowe, kable uziemiające itp. Więcej informacji można znaleźć w podręczniku użytkownika lub przewodniku po zamówieniach.

7. Instalacja i podłączanie sprzętu

Przed rozpoczęciem instalacji należy zapoznać się z krajowymi przepisami i uzyskać odpowiednie zezwolenia. Przed rozpoczęciem instalacji należy rozważyć zaplanować położenie ODU, aby zapewnić dobry zasięg radiowy i zminimalizować zakłócenia. Należy zoptymalizować wydajność łącza za pomocą narzędzi do planowania połączeń radiowych, takich jak LINKPlanner. Instalację i uruchomienie sprzętu należy zlecić wyszkolonemu specjalistom.

Podstawowa instalacja ODU

1. Należy wstępnie skonfigurować ODU zgodnie z opisem przedstawionym w następnej sekcji (sekcja 8).
2. ODU należy instalować z urządzeniami odłączonymi od zasilania
3. ODU powinny zostać rozmieszczone w taki sposób, aby horyzont radiowy nie zakłócał połączenia, a w obszarze Fresnela nie znajdował się żaden obiekt.
4. W przypadku AP należy posłużyć się mapą okolicy, kompasem i/lub urządzeniem GPS, aby określić odpowiednie ułożenie anten w danym sektorze. Anteny należy nachylić w dół pod odpowiednim kątem.
5. Podłączyć kable do ODU zgodnie z poniższym diagramem:
 - a. Podłączyć kabel Ethernet wychodzący z portu „Data” lub „LAN” zasilacza PoE do portu Ethernet odpowiedniego laptopa
 - b. Podłączyć kabel dosyłający z ODU do portu „Data + Power” lub portu „ODU” w zasilaczu
 - c. Zamontować tłumiki przepięć w sposób pokazany na rysunku i w razie potrzeby podłączyć przewody uziemiające
 - d. Podłączyć zasilacz do źródła zasilania
 - e. Zabezpieczyć zewnętrzne połączenia przed wilgocią



Instalacja modułu abonenckiego (SM) serii 450

Należy upewnić się, że ułożenie SM jest poprawne.

- W tym celu należy wykonać procedurę regulacji zgrubnej za pomocą narzędzia lub tonu regulacyjnego.
- Zweryfikować połączenie między SM a AP, analizując poziomy mocy, liczby sesji i rejestracji urządzeń, a także przeprowadzając testy połączeń.

Więcej szczegółów można znaleźć w podręczniku użytkownika.

Instalacja łącza PTP serii 450

Proces instalacji nadrzędnego modułu łącza dosyłowego (BHM) jest podobny do procesu instalacji AP. Podczas instalacji podrzędnego modułu łącza dosyłowego (BHS) należy wykonać procedurę regulacji zgrubnej za pomocą narzędzia lub tonu regulacyjnego. Więcej szczegółów można znaleźć w podręczniku użytkownika.

Więcej informacji na temat montażu, okablowania i regulacji położenia urządzeń można znaleźć w przewodniku użytkownika i materiałach szkoleniowych dotyczących urządzeń serii 450. Przewodniki te są dostępne na stronie internetowej firmy Cambium Networks; łącza do materiałów można znaleźć na końcu niniejszego dokumentu.

8. Konfiguracja modułu radiowego serii 450 w celu spełnienia krajowych przepisów

Firma Cambium zaleca wstępne skonfigurowanie urządzeń na stanowisku testowym przed rozpoczęciem wdrożenia.

Podłącz urządzenie serii 450 do zasilacza PoE i odpowiedniego komputera PC.

- Podłącz kabel Ethernet z komputera PC do portu „Data” w zasilaczu PoE.
- Podłącz inny kabel Ethernet z portu „Data and Power” w zasilaczu PoE do modułu radiowego 450.
- Podłącz przewód zasilający do gniazda zasilającego i włącz urządzenie
- Sprawdź, czy dioda LED zasilania na zasilaczu PoE zaczyna świecić.

W module radiowym serii 450 –

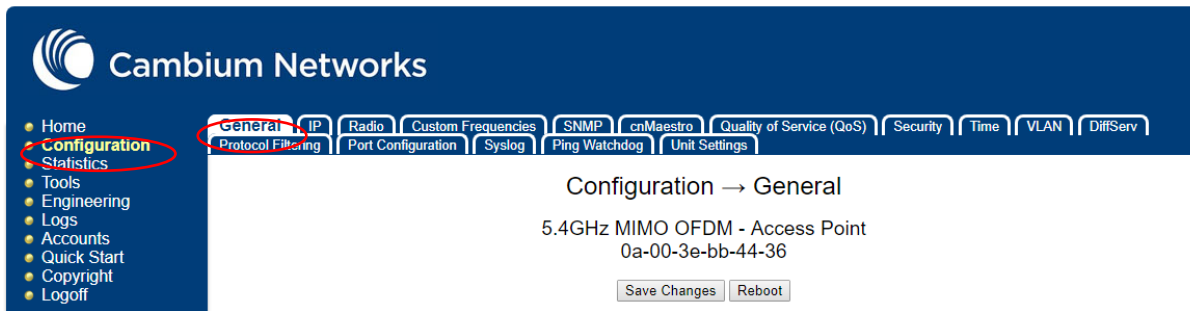
- Sprawdź, czy pomarańczowa dioda Ethernet zaczyna migać (10 powolnych mignięć).
- Sprawdź, czy czerwona dioda LED (Ethernet) świeci światłem ciągłym.

Skonfiguruj port Ethernet komputera, ustawiając stały adres IP z zakresu 169.254.X.X, z wyłączeniem adresów 169.254.0.0 i 169.254.1.1. Dobrym przykładem jest 169.254.1.3. Wprowadź maskę podsieci 255.255.0.0. Pole „Brama domyślna” należy pozostawić puste.

- Za pomocą przeglądarki internetowej przejdź do domyślnego adresu (169.254.1.1) i zaloguj się.
- Wprowadź nazwę użytkownika (domyślnie „admin”) oraz hasło (domyślnie „admin”) i kliknij Zaloguj.

Zostanie wyświetlone menu interfejsu internetowego urządzenia 450 i strona Podsumowanie systemu [System Summary].

W menu po lewej stronie strony internetowej kliknij pozycję, „Konfiguracja” zgodnie z ilustracją:



Kliknij kartę „Ogólne” [General] i przewiń do okna „Ustawienia regionalne” [Region Settings]:



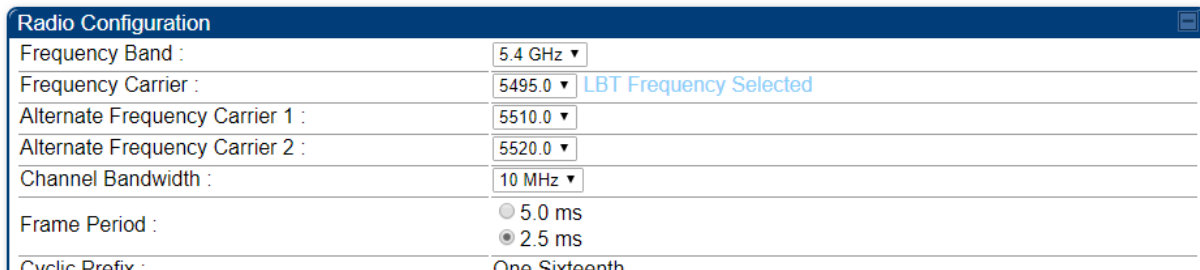
Sprawdź, czy kod regionu jest zgodny z kodem regionu, w którym będzie pracować dane urządzenie. Jeżeli kod jest niezgodny, wybierz poprawny region. W przeciwnym razie nie kontynuuj.

Kliknij pole „Kraj” a następnie z listy rozwijanej wybierz kraj wdrożenia. Jeśli dany kraj nie jest widoczny na liście, wybierz pozycję „Inne”

Kliknij przycisk „Zapisz zmiany i pozycję „Uruchom ponownie”

Gdy urządzenie zostanie ponownie uruchomione, zaloguj się do niego ponownie.

Przejdź do karty „Radio”. W menu „Konfiguracja modułu radiowego” wybierz żądane pasmo częstotliwości i kliknij przycisk „Zapisz zmiany” oraz pozycję „Uruchom ponownie”. Po ponownym uruchomieniu zaloguj się z powrotem i powróć do menu „Konfiguracja modułu radiowego”, aby wybrać odpowiednią falę nośną oraz odpowiednią częstotliwość. W wersjach modułów radiowych przeznaczonych na rynek UE może wystąpić konieczność wybrania „alternatywnych” fal nośnych dla pasm 5,4 GHz i 5,7 GHz.



Kliknij przycisk „Zapisz zmiany [Save Changes]” i pozycję „Uruchom ponownie”.

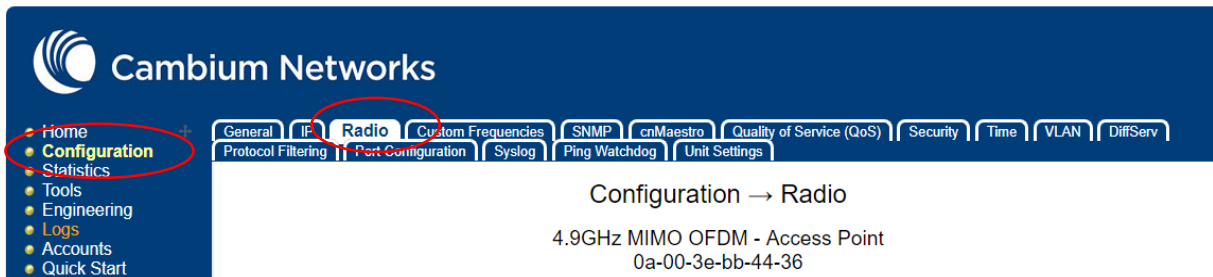
Po ponownym uruchomieniu urządzenia wróć do menu „Kontrola mocy” , klikając kartę „Radio”. Sprawdź, czy wartość EIRP jest poprawna dla kraju wdrożenia modułu radiowego. Nie kontynuuj, dopóki EIRP nie zostanie dostosowane do przepisów krajowych. W przypadku konfigurowania jednostki z anteną zewnętrzną należy przestrzegać instrukcji opisanych w sekcji „Urządzenia serii 450i 5 GHz z anteną zewnętrzną – dodatkowe kroki”.

Dalsze czynności konfiguracji

Następnie należy skonfigurować pozostałe parametry urządzenia 450. Wybierz menu „Szybki start” [Quick Start], aby przygotować minimalną konfigurację niezbędną do pracy urządzenia.

„Urządzenia serii z anteną zewnętrzną – dodatkowe kroki

Aby skonfigurować moduł radiowy z anteną zewnętrzną, należy wprowadzić zysk anteny w menu „Radio”. Na stronie interfejsu urządzenia 450 wybierz pozycję „Konfiguracja” w menu po lewej stronie, a następnie kartę „Radio”.



W oknie „Regulacja mocy” wprowadź zysk anteny zewnętrznej w dBi, w drugim polu od dołu. Moduł radiowy automatycznie dostosuje moc nadajnika (przy czym może być wymagane ponownie uruchomienie modułu radiowego).

Power Control	
Transmit Power :	11 dBm (Range: -30 — +20 dBm) (8 dBm V / 8 dBm H)
External Gain :	16 dBi (Range: 0 — +40 dBi)
SM Receive Target Level :	-52 dBm (Range: -77 — -37 dBm) combined power
Adjacent Channel Support :	<input type="radio"/> Enabled <input checked="" type="radio"/> Disabled

Sprawdzić, czy wartość wyświetlana w polu „Moc nadawania” zsumowana z wartością z polu „Zysk zewnętrzny” nie przekracza dopuszczalnej mocy promieniowania (EIRP) zgodnie z przepisami krajowymi.

Należy pamiętać, że interfejs przeglądarkowy urządzenia serii 450 uniemożliwia wprowadzenie zbyt wysokich wartości zysku anteny.

9. Zewnętrzne anteny

Zalecane anteny zewnętrzne

Cambium Networks zaleca następujące anteny dla urządzeń PMP 450/450i AP ze złączem anten zewnętrznym:

- Nr katalogowy Cambium 85009324001 – antena 5 GHz dla sektora o kącie 90°, zysk 17 dBi
- Nr katalogowy Cambium C030045D901A – antena 3,3-3,8 GHz z podwójną polaryzacją skośną dla sektora o kącie 90°

Dla urządzeń PTP 450i 5 GHz ze złączem anteny zewnętrznej Cambium zaleca następujące anteny paraboliczne:

Nr katalogowy Cambium	Opis
RDH4503B	5,25–5,85 GHz 0,6 m, 29,0 dBi, dwupolaryzacyjna, polaryzacja pionowa i pozioma, z możliwością dokładnej regulacji
RDH4504B	5,25–5,85 GHz 0,9 m, 32,5 dBi, dwupolaryzacyjna, polaryzacja pionowa i pozioma
RDH4505B	5,25–5,85 GHz 1,2 m, 34,9 dBi, dwupolaryzacyjna, polaryzacja pionowa i pozioma
RDH4506B	5,25–5,85 GHz 1,8 m, 37,9 dBi, dwupolaryzacyjna, polaryzacja pionowa i pozioma
RDH4508B	5,25–5,85 GHz 0,6 m, 28,8 dBi, dwupolaryzacyjna o wysokiej wydajności
RDH4509B	5,25–5,85 GHz 0,9 m, 32,3 dBi, dwupolaryzacyjna o wysokiej wydajności
RDH4510B	5,25–5,85 GHz 1,2 m, 34,7 dBi, dwupolaryzacyjna o wysokiej wydajności
RDH4511B	5,25–5,85 GHz 1,8 m, 37,7 dBi, dwupolaryzacyjna o wysokiej wydajności

Alternatywne anteny dla jednostek ze złączem anteny zewnętrznej

Urządzenia serii 450 5 GHz ze złączem anteny zewnętrznej zostały zaprojektowane z myślą o współpracy z anteną dwupolaryzacyjną, wykorzystującą polaryzację pionową i poziomą.

Dla urządzeń serii 450 3 GHz zaleca się stosowanie zewnętrznej dwupolaryzacyjnej anteny z podwójną polaryzacją skośną.

Moduły radiowe serii 450i / 450 ze złączem anteny zewnętrznej przetestowano pod kątem zgodności z przepisami UE przy użyciu wymienionych poniżej typów anten. W dokumencie podano maksymalny zysk każdego typu anten. Można stosować anteny o zysku równoważnym lub niższym oraz anteny tego samego typu. W przypadku urządzeń instalowanych w regionie UE nie należy używać anten o wyższym zysku. W celu ograniczenia potencjalnych zakłóceń radiowych dla innych użytkowników rodzaj anteny i jej zysk muszą być dobrane w taki sposób, aby równoważna moc promieniowana izotropowo (EIRP) nie była większa niż jest to konieczne do nawiązania skutecznej komunikacji.

Typ anteny	Nominalny zysk anteny (dBi)			
	Pasmo 4,9 GHz	Pasmo 5,1 GHz	Pasmo 5,4 GHz	Pasmo 5,8 GHz
Antena paraboliczna 6'	37,2	37	-	38,1
Antena paraboliczna 4'	-	-	34,9	-
Antena płaska	28	28,5	28,5	28,5
Antena sektorowa	17	17	17	17
Antena dookólna	13	13	13	13

10. Inne akcesoria oferowane przez Cambium Networks

Synchronizacja z GPS

Cambium oferuje użytkownikom możliwość synchronizacji z systemem GPS, aby ograniczyć wzajemne zakłócenia wewnątrz sieci. Punkty dostępowe (AP) serii 450 lub nadrzędne moduły łącza dosyłowego przyjmują sygnał synchronizacyjny GPS z generatora impulsów synchronizacyjnych „cnPulse” lub modułu „Universal GPS”. Wspomniane urządzenia mogą obsługiwać do dwóch modułów radiowych. W przypadku kolokacji więcej niż dwóch modułów radiowych można zastosować moduł zarządzania klastrami (CMM), który jest zdolny synchronizować wiele modułów radiowych jednocześnie.

Moduły cnPulse i Universal GPS (UPGS)

Moduły cnPulse i Universal GPS służą do synchronizacji sieci w mniejszych instalacjach, gdzie montaż modułu MCC jest nieopłacalny. Wspomniane moduły synchronizacyjne współpracują ze wszystkimi modułami radiowymi Cambium serii 450. Są to niewielkie urządzenia, a ich wdrożenie nie jest kłopotliwe.



Moduł zarządzania klastrami (CMM)

CMM obsługuje sygnały synchronizacyjne GPS do AP oraz wszystkich powiązanych SM. CMM zapewnia zasilanie, sygnały synchronizacyjne GPS oraz połączenia sieciowe dla klastra AP. Moduł CMM można zakupić z wbudowanym przełącznikiem lub w wersji bez przełącznika, aby operator sieci mógł zainstalować własne urządzenie. Jeden CMM potrafi komunikować się z wieloma różnymi ODU AP umieszczonymi na tej samej wieży, a także z ODU PTP, zapewniając łączność w całej lokalizacji. CMM jest w stanie połączyć się z maksymalnie ośmioma kolokowanymi modułami radiowymi oraz sygnałem Ethernet. Sygnały synchronizacyjne do CMM muszą pochodzić z zewnętrznego modułu GPS.

CMM5

Moduł CMM5 należy do najnowszej generacji urządzeń przeznaczonych do dystrybucji sygnałów TDD Sync i Power-over-Ethernet (PoE) w terenie. CMM5 cechuje się modułową konstrukcją z indywidualnymi 4-portowymi iniektorami zasilania oraz opcjonalnym kontrolerem do zdalnego zarządzania.

Główne funkcje modułu CMM5:

- Obsługa Gigabit Ethernet (1000BaseT)
- Modułowość i skalowalność (od 4 do 32 portów)
- Bezpośrednie zasilanie prądem stałoprądowym +/- 48 V (opcjonalne zasilacze AC/DC są dostępne w ofercie Cambium Networks)
- Możliwość zastosowania modułu UPGS Cambium Networks jako źródła synchronizacji
- Dwa zabezpieczone wejścia zasilania



11. Możliwość funkcjonowania na obszarze UE

Pasma częstotliwości, moc maksymalna, bezpieczna odległość

Moduły 5 GHz

Na terenie UE produkty PMP serii 450 5 GHz pracują w następujących zakresach częstotliwości do wskazanego limitu mocy:

Robocze pasma częstotliwości	Norma UE	Moc maksymalna (EIRP)	Dozwolone zastosowanie	Urządzenia 5 GHz obsługujące to pasmo częstotliwości
5470 – 5725 MHz	EN 301 893	1 W / 30 dBm	Dostępne do ogólnego użytku we wszystkich krajach UE	Wszystkie modele serii 450
5725 – 5875 MHz	EN 302 502	4 W / 36 dBm	Dozwolone w niektórych krajach UE, patrz przypisy 1 – 2	Wszystkie modele serii 450

Przypis 1 Korzystanie z pasma 5,8 GHz nie jest dozwolone w następujących krajach UE: AT, BG, CZ, CY, FR, HR, IT, LU, LV, NL, PL, TR. W pozostałych krajach korzystanie z urządzenia może wymagać oficjalnej homologacji, należy sprawdzić lokalnie obowiązujące przepisy.

Przypis 2 W module radiowym skonfigurowano odpowiednie pasma częstotliwości, limity mocy i ustawienia DFS dla każdego kraju.

W przypadku urządzeń serii 450 5 GHz na terenie UE minimalna bezpieczna odległość człowieka od urządzenia wynosi 25 cm.

Uwaga: w przypadku zastosowania jednostki z anteną zintegrowaną o wysokim zysku instalator musi obliczyć minimalną bezpieczną odległość w formie funkcji zysku anteny.

Moduły 3 GHz

Na terenie UE produkty PMP serii 450 3 GHz pracują w następujących zakresach częstotliwości do wskazanego limitu mocy:

Robocze pasma częstotliwości	Norma UE	Moc maksymalna (EIRP)	Dozwolone zastosowanie	Urządzenia 3 GHz obsługujące to pasmo częstotliwości
3410 – 3800 MHz	EN 302 326-1	501 W/	Opisywane pasmo jest licencjonowane na terenie UE. Patrz przypis 1	Patrz przypis 2
	EN 302 326-2	57 dBm		

Przypis 1 Przed wdrożeniem systemu należy uzyskać licencję od krajowego organu regulacyjnego. Licencja powinna określać dopuszczalną częstotliwość, szerokość pasma i maksymalną moc, jaka może być wykorzystywana. Sprzęt należy skonfigurować odpowiednio do uzyskanej licencji.

Przypis 2 Dla krajów europejskich częstotliwość pracy urządzeń PMP 450i 3 GHz i PMP 450m 3 GHz wynosi od 3410 MHz do 3800 MHz; dla urządzeń PMP 450 SM 3,5 GHz wynosi od 3410 MHz do 3600 MHz; dla urządzeń PMP 450 SM 3,65 GHz wynosi od 3550 MHz do 3800 MHz.

W przypadku urządzeń 450m na terenie UE minimalna bezpieczna odległość człowieka od urządzenia wynosi 2,3 m.

W przypadku pozostałych urządzeń serii 450 na terenie UE minimalna bezpieczna odległość człowieka od urządzenia wynosi 50 cm.

Uwaga: w przypadku zastosowania jednostki z anteną zintegrowaną o wysokim zysku instalator musi obliczyć minimalną bezpieczną odległość w formie funkcji zysku anteny.

Stosowanie na terenie UE – ograniczenia i wymogi homologacji

- Urządzenia radiokomunikacyjne są przeznaczone wyłącznie do użytku na zewnątrz.
- Urządzenia z serii Cambium 450 mogą być konfigurowane do działania na licencjonowanych lub nielicencjonowanych pasmach częstotliwości w zależności od zakresu pasm dostępnych w poszczególnych krajach. Operatorzy / użytkownicy końcowi muszą zadbać o to, by podczas instalacji i eksploatacji sprzętu były przestrzegane wszystkie obowiązujące normy i przepisy krajowe, a także uzyskać wymagane prawem licencje i zezwolenia.

Uproszczona deklaracja zgodności UE

Producent Cambium Networks Ltd oświadcza niniejszym, że urządzenia radiokomunikacyjne:-

- 5 GHz PMP 450i
- 5 GHz PTP 450i
- 5 GHz 450b Mid-Gain
- 5 GHz 450b High-Gain
- 5 GHz PMP 450m
- 3.5 GHz PMP 450 SM
- 3.65 GHz PMP 450 SM
- 3 GHz PMP 450i
- 3 GHz PMP 450m

są zgodne z dyrektywą 2014/53/UE. Pełny tekst unijnej deklaracji zgodności jest dostępny pod następującym adresem internetowym: http://www.cambiumnetworks.com/eu_dofc

Dyrektywa o zużytym sprzęcie elektrycznym i elektronicznym (WEEE)



Zużyty sprzęt elektryczny i elektroniczny ani jego akcesoria nie powinny być utylizowane jako część odpadów z gospodarstwa domowego. W niektórych krajach lub regionach obowiązuje system selektywnej zbiórki odpadów elektrycznych i elektronicznych. W celu uzyskania informacji o selektywnym odbiorze odpadów w krajach Unii Europejskiej należy skontaktować się z lokalnym sprzedawcą sprzętu lub z centrum serwisowym Cambium Networks.

12. Cambium Networks

Firma Cambium Networks dostarcza rozwiązania do tworzenia profesjonalnych, szerokopasmowych stałych łączy radiowych i mikrofalowych dla klientów na całym świecie. Nasze rozwiązania zostały wdrożone w tysiącach sieci w ponad 153 krajach, a nasze innowacyjne technologie zapewniają niezawodne, bezpieczne połączenia o dobrym stosunku jakości do ceny, które są łatwe we wdrożeniu i wyjątkowo wydajne.

Nasze wielokrotnie nagradzane rozwiązania do nawiązywania połączeń Point to Point (PTP) działają w licencjonowanych, nielicencjonowanych i zdefiniowanych pasmach częstotliwości użytkowych, w tym w wyspecjalizowanych środowiskach FIPS 140-2 przeznaczonych dla rynku federalnego Stanów Zjednoczonych. Nasze rozwiązania PTP o zwiększonej odporności zostały zaprojektowane tak, aby zapewnić dostępność sieci na poziomie 99,999%, i są znane ze swojej niezawodności oraz wydajności w infrastrukturze łączy dosyłowych. To doskonałe rozwiązania dla najbardziej wymagających środowisk radiowych, w których poszczególne elementy infrastruktury bezprzewodowej znajdują się poza wzajemnym polem widzenia.

Nasze wszechstronne rozwiązania typu Point-to-Multipoint (PMP) działają w licencjonowanych, nielicencjonowanych i federalnych pasmach częstotliwości, umożliwiając tworzenie niezawodnych i bezpiecznych sieci dostępowych o atrakcyjnym współczynniku jakości do ceny. W sieciach na całym świecie wdrożono już ponad trzy miliony modułów naszej firmy, a nasze rozwiązania sieci dostępowych PMP sprawdzają się w codziennym użytkowaniu w budynkach mieszkalnych, infrastrukturze zastępującej łącza dzierżawione, systemach monitoringu oraz w inteligentnej infrastrukturze sieciowej.

Rozwiązania Cambium Networks są znane i cenione w branży bezprzewodowych usług szerokopasmowych. Nasza firma projektuje, wdraża i dostarcza innowacyjne rozwiązania w zakresie łączności danych, głosu i wideo, które umożliwiają komunikację międzyludzką, umożliwiając rozwój społeczności i handlu na całym świecie.

Podręczniki dla użytkowników: <http://www.cambiumnetworks.com/guides>

Szkolenia techniczne: <https://learning.cambiumnetworks.com>

Witryna wsparcia technicznego: <https://support.cambiumnetworks.com>

Główna witryna: <http://www.cambiumnetworks.com>

Zapytania dotyczące sprzedaży prosimy kierować na adres: solutions@cambiumnetworks.com

Podręczniki dla użytkowników: <http://www.cambiumnetworks.com/guides>

Szkolenia techniczne: <https://learning.cambiumnetworks.com>

Witryna wsparcia technicznego: <https://support.cambiumnetworks.com>

Zapytania dotyczące problemów technicznych: <https://support.cambiumnetworks.com>

Lista numerów telefonów: <http://www.cambiumnetworks.com/contact-us/>

Adres: Cambium Networks Limited,
Linhay Business Park,
Eastern Road,
Ashburton,
Devon, TQ13 7UP
Wielka Brytania

1. Giriş

Cambium Networks 450 serisi platform ekipmanını satın aldığınız için teşekkür ederiz. Bu Hızlı Başlangıç Kılavuzu operatörlere 450 serisi platformu donanımı, kurulum yöntemleri, ilk giriş prosedürleri ve güvenlik/garanti bilgilerini daha iyi anlamalarına yardımcı olmak için sağlanmıştır. Bu Hızlı Başlangıç Kılavuzu tüm 450 serisi platformu ürünleri için geçerlidir.

2. Ürün Açıklaması

Cambium Networks 450 serisi telsiz ürünleri, Noktadan Çoklu Noktaya (PMP) ve Noktadan Noktaya (PTP) mikrodalga hatları üzerinden veri iletimini destekler. Bu telsiz ekipmanı ("dış mekan üniteleri" veya ODU'lar olarak geçer) sadece sabit dış mekan kurulumlarına yönelik profesyonel kullanım için tasarlanmıştır.

PMP (Noktadan Çoklu Noktaya)

PMP 450 serisi platformu bir Erişim Noktası (AP) ve birden çok Abone Modüllü (SM) Dış Mekan Ünitelerinden (ODUs) oluşur. Telsiz bağlantısı Eşzamanlı Çift Yönlü Zaman Bölmesi (TDD) özelliğini kullanarak her bir yönde tek bir frekans kanalında çalışır.

Erişim Noktası (AP) harici bir antene bağlanacak konektörlü bir ünite ya da daire dilimli (sektör) antenli entegre ünite olarak sunulmaktadır.

Abone Modüllü (SM) harici bir antene bağlanacak konektörlü bir ünite ya da yönlü antenli entegre ünite olarak sunulmaktadır.

PTP (Noktadan Noktaya)

PTP 450 serisi platformu iki BH (Geri Veri Aktarımlı) Dış Mekan Ünitesinden (ODUs) oluşur. İki BH telsizi arasında telsiz bağlantısı kurmak için, son kullanıcının bunlardan birini BHM (Geri Veri Aktarımı Ana Ünite) ve diğerini BHS (Geri Veri Aktarımı Bağlı Ünite) olarak yapılandırması gerekir.

Telsiz bağlantısı Eşzamanlı Çift Yönlü Zaman Bölmesi (TDD) özelliğini kullanarak tek bir frekans kanalında çalışır.

PTP serisi platform harici bir antene bağlanacak konektörlü bir ünite ya da yönlü antenli entegre bir ünite olarak sunulmaktadır.



3. Kurulum ve Çalıştırma

Bu ürünün kurulum ve çalıştırma işlemlerinin karmaşık olmasından dolayı Cambium, çalıştırma işleminin ürünün kurulu olduğu bölgedeki kurullarla uyumlu olmasını sağlamak için sistemin kurulum ve yönetiminin bir profesyonel tarafından yapılmasını önerir. Lütfen bu Hızlı Başlangıç Kılavuzunda yer alan talimatları uygulayın. Noktadan Çoklu Noktaya (PMP) ve Noktadan Noktaya (PTP) yükleme ve çalıştırma hakkında daha fazla bilgi,

ürünün kullanım kılavuzunda mevcuttur; daha fazla bilgi için Hızlı Başlangıç Kılavuzunun sonundaki bağlantılara göz atın.

Kurulumu yapan kişinin kurulum görevini gerçekleştirebilecek düzeyde yeterli bilgi, beceri ve deneyime sahip olması gerekir ve bu kişi şunlardan sorumludur:

- Telsiz mevzuatı, elektrikli aletlerin kurulum mevzuatı, aşırı gerilim koruma mevzuatı ve "yüksekte çalışma" mevzuatı da dahil olmak üzere yürürlükteki mevcut ulusal mevzuatlara aşina olmak
- Kurulumu Cambium Networks talimatlarına göre gerçekleştirmek
- Ekipman ayarlarının ulusal ya da bölgesel mevzuatlara uygun olduğunu onaylamak
- Cambium Networks web sitesindeki mevcut eğitim materyallerine aşina olmak (bkz. aşağıdaki bağlantı)

Kurulum sırasında lütfen aşağıdaki önemli talimatları uygulayın. Bu işlem, ekipmanın ulusal düzenleyici mevzuatlara uyumluluğunu ve yasal bir şekilde çalışmasını sağlayacaktır.

- 450 serisi ekipmanın en son uygulama koduyla donatıldığından emin olun. Ulusal mevzuatlarla uyumlu olabilmesi için yazılım sürümü Canopy 16.x.x veya üzeri olmalıdır. Yazılım, Cambium Destek Merkezi web sitesinden temin edilebilir. Bkz. aşağıdaki bağlantı.

4. Ürün Güvenlik bilgileri

Aşağıdaki güvenlik kurallarına uyun:

- Dış Mekan Ünitesinin (ODU) ve üzerine monte edildiği yapının önerilen sahadaki maksimum rüzgar hızına dayanabilecek kapasitede olduğundan emin olun.
- Kurulum sırasında ekipmana elektrik verilmediğinden emin olun. Servis bakımı yapmadan önce daima ekipmanın güç bağlantısını kesin.
- Verici açık durumdayken anten yakınında zararlı düzeyde RF radyasyonu bulunur.
 - 450 serisi ürünler için aşağıda sunulmuş olan minimum güvenli mesafe sınırına uyun.
 - Ekipmanın insanlar için herhangi bir radyasyon tehlikesi oluşturmayacak bir pozisyonda kurulduğundan emin olun.
- Yüksek ortamlarda çalışırken aşırı dikkatli olun. Ulusal "yüksekte çalışma" mevzuatına uyun. Eğitim almış "yetkin" personel kullanın.
- Enerji nakil hatları yakınında çalışırken aşırı dikkatli olun.
- Kablolama tesisatı için daima kalifiye bir elektrikçi kullanın.
- Dış Mekan Ünitesi (ODU) düzgün şekilde topraklanmalıdır.
- Ekipmana güç sağlamak için daima belirtilmiş olan Cambium 450 platformu güç kaynağı ünitesini (PSU) kullanın. Cambium tarafından tedarik edilen belirtilmiş Ethernet Üzerinden Güç (PoE) ünitesinin kullanılmaması ekipman hasarına ve güvenlik tehlikesine neden olabilir.
 - Cambium Networks güç enjektörlerini dış mekan ortamında kurmayın
- Yapıların, ekipmanların ve insanların elektrostatik boşalığa karşı aşağıdakiler gerçekleştirilerek korunmaları gerekir:-
 - ekipmanın, yıldırım düşmesine karşı korunduğu bir bölgeye yerleştirilmesiyle
 - aşırı akımın ayrı bir sağlam yolla toprağa iletilmesini sağlayacak uygun paratoner hattı kurulumuyla.
 - topraklama bağı ve geçici aşırı gerilim koruması önerilir. Cambium tarafından belirtilmiş olan aşırı gerilim koruyucularını kullanın.
- Çalıştırma sırasında ODU mahfazası dokunulamayacak düzeyde sıcak olabilir.
- Dış mekan ortamına maruz kalacak bağlantılar için dış mekana uygun kablolar kullanın. Cambium tarafından önerilen kabloları kullanın.

5. Tipik Kurulum

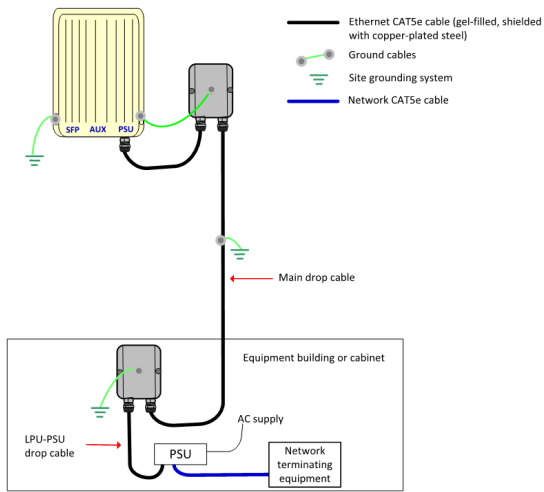
En basit konfigürasyonda (Şekil 1), ağ ekipmanından (Ethernet Arayüzü) gelen veri yolu Ethernet Üzerinden Güç (PoE) enjektörü (şekilde "PSU" olarak etiketlenmiştir) üzerinden ve ardından bir bakır kablo üzerinden Dış Mekan Ünitesine (PSU bağlantı noktası) yönlendirilir. Aşırı gerilim koruma üniteleri de gösterildiği şekilde kurulmalıdır. Tipik bir direk ya da kule kurulumu ve duvar kurulumları aşağıda gösterilmiştir (Şekil 2, 3 ve 4). Daha fazla konfigürasyon ayrıntısı için kullanım kılavuzuna bakın.

Telsiz ekipmanını daima yıldırım düşmesine karşı korunan bir bölgeye yerleştirin:-

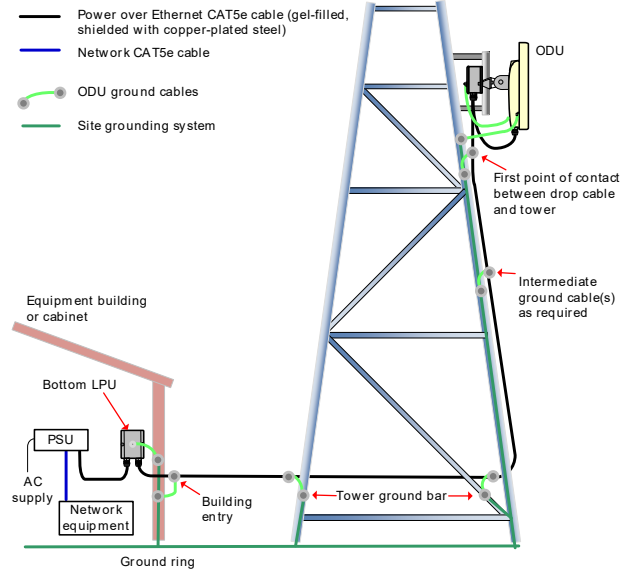
Ekipman kulenin veya binanın ya da yıldırım hava terminalinin en üst noktasından daha aşağıda olmalıdır

Kule ya da bina doğru şekilde topraklanmalıdır

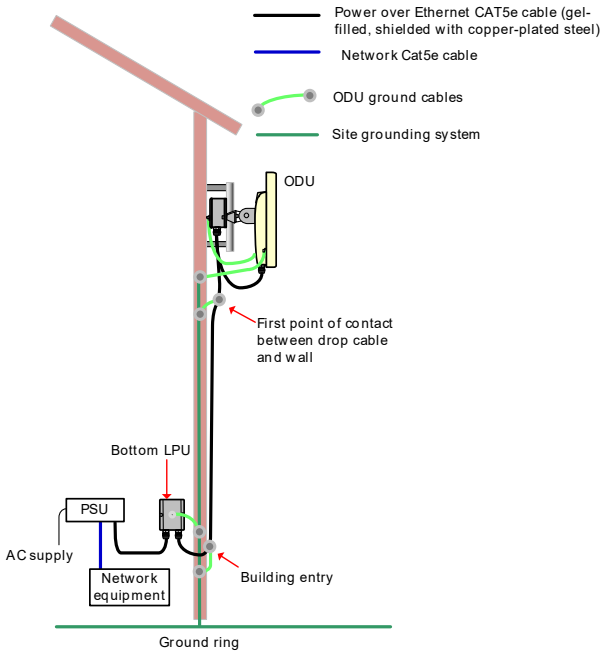
Şekil 1 Temel konfigürasyon



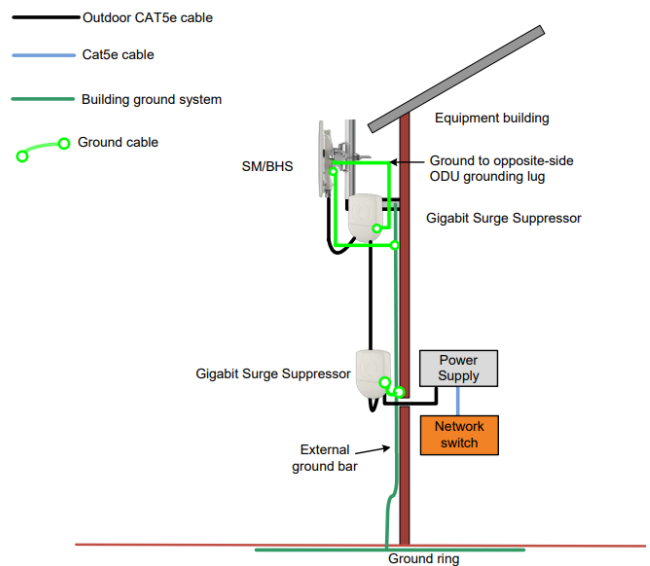
Şekil 2 Direk ya da kule kurulumu



Şekil 3 Duvar kurulumu (450i)



Şekil 4 Duvar kurulumu (450 SM)



6. Donanıma genel bakış

PMP/PTP 450i arayüzleri

Ethernet ve Sync/Aux bağlantı noktaları entegre ve konektörlü Dış Mekan Ünitelerinin arka kısmında bulunmaktadır.

Konektörlü Dış Mekan Ünitesi burada gösterilmektedir.

Arayüz bağlantılarının görünümü



Konektörlü Dış Mekan Ünitesinin ön yüzü



(A ve B bağlantı noktaları antenlere giden RF kablo arayüzleri için N tipi dişi konektörler)

Port name	Connector	Interface	Description
Main PSU	RJ45	PoE input	Power over Ethernet (PoE)
		10/100/1000BASE-T Ethernet	Data
Sync/AUX	RJ45	10/100/1000BASE-T Ethernet	Data
		PoE output	Standard IEEE802.3at PoE
		Sync input/output	Connection and powering of UGPS Sync input

PMP/PTP 450b arayüzleri

Burada gösterilen Orta Kazanım ünitesidir. Arayüzler yüksek kazanımlı üniteyle aynıdır.



Port name	Connector	Interface	Description
PSU/Ethernet Port	RJ45	PoE input	Power over Ethernet (PoE)
		10/100/1000BASE-T Ethernet	Data
Audio AUX Port	Standard 3.5 mm headphones	Alignment tone input	3.5 mm audio jack for alignment tone

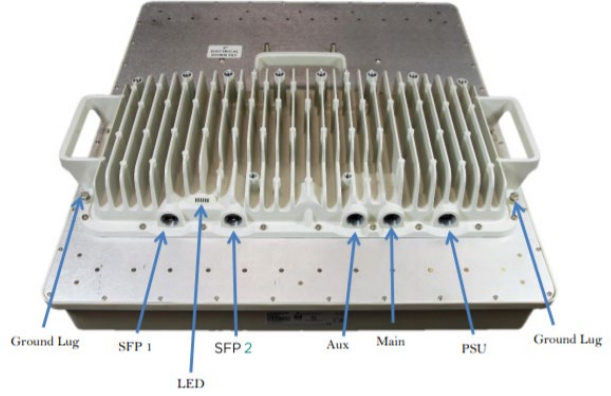
PMP 450m AP arayüzleri

5 GHz PMP 450m



Ground Lug LED SFP Aux PSU (Main) Ground Lug

3 GHz PMP 450m



5 GHz PMP 450m AP arayüz tanımı

Bağlantı noktası adı	Konektör	Arayüz fonksiyonu	Açıklama
PSU (Ana)	RJ45	PoE girişi	Ethernet Üzerinden Güç (PoE)
		10/100/1000 BaseT Ethernet	Veri
Aux	RJ45	10/100 BaseT Ethernet	Veri
		PoE çıkışı	Standart IEEE802.3at PoE
SFP	SFP	Senk. girişi/çıkışı	UGPS Senk. bağlama ve güç verme giriş
		2,5 Gbps Bakır Ethernet ve 1 Gbps Bakır	Veri ve Yönetim Hizmetleri. SFP modül eklentisi ayrıca satın alınır
Topraklama Kulpları/Pabuçları		10 AWG bakır tel	Üniteyi topraklamak için

3 GHz PMP 450m AP arayüz tanımı

Bağlantı noktası adı	Konektör	Arayüz fonksiyonu	Açıklama
PSU	4 pimli	DC güç girişi	40 V - 60 V ile plus Cambium güç üzerinden Senk
Ana	RJ45	Ethernet	10/100/1000Base-T Ethernet, ile plus Cambium veri üzerinden Senk
Aux	RJ45	Ethernet	10/100Base-T Ethernet, Ethernet Üzerinden Güç (PoE) çıkışlı

		Senkronizasyon	UGPS senkronizasyon bağlantı noktası
		Hizalama	Ses tonları
SFP 1	SFP	Ethernet	SFP modülü
SFP 2	SFP	Ethernet	SFP modül (tekli veya çiftli)
Topraklama Kulpları/Pabuçlar		10 AWG bakır tel	Üniteyi topraklamak için

Güç kaynakları

Güç ve verinin ayrı beslendiği 3 GHz PMP 450m modeli hariç, Dış Mekan Ünitesine güç Ethernet Üzerinden Güç (PoE) enjektörü üzerinden beslenir. Cambium Networks serisindeki tüm güç enjektörleri/güç kaynakları iç mekan kullanımı için tasarlanmıştır. Aşağıdaki tablo her bir 450 telsiz modeli için mevcut Cambium Networks güç kaynağı çeşitlerini özetlemektedir.

Model	30 V DC	56 V DC	802.3af	802.3at	N000900L001B/c Gigabit (15W)	N000900L002A 100 Base T (15W) - artık	N000000L034A (AC) – 30 W, 56 V DC	N000065L001C (AC) – 60 W	C000065L002C (AC+DC) – 100 W	N000000L054B (AC) 54 V 240 W
PMP 450 AP	X	-	-	-	X	X*	-	-	-	-
PMP 450 SM	X	-	-	-	X*	X*	-	-	-	-
PTP 450	X	-	-	-	X*	X*	-	-	-	-
PMP / PTP 450b	X	-	-	-	X	X*	-	-	-	-
PMP 450i AP	-	X	-	X	-	-	X	X	X	-
PMP 450i SM	-	X	-	X	-	-	X	X	X	-
PTP 450i	-	X	-	X	-	-	X	X	X	-
5 GHz PMP 450m	-	X	-	-	-	-	-	-	X	-
3 GHz PMP 450m	-	-	-	-	-	-	-	-	-	X

*Sadece 100 Base T-modu (Gigabit yok)

AC giriş kablosu güç kaynağından ayrı olarak tedarik edilmektedir. Bölgesel çeşitleri bulunmaktadır.

Güç kaynağı çeşitleri aşağıda gösterilmektedir:-

Güç Enjektörü tipi

PMP / PTP 450 / 450b güç kaynağı

AC Girişi: 90-264 V AC, 0,5 A rms

DC Çıkışı: 30,0 Vdc +/-%5, 15W, 500 mA maks

RJ 45 Yuvaları: İki (Veri Girişi ile Veri ve Güç Çıkışı)

Güç Enjektörü görünüşleri



AC güç enjektörü (450i için)

AC güç girişi: AC güç girişi (ana besleme)

ODU bağlantı noktası: Cat5e kablосunu Dış Mekan Ünitesine bağlamak için RJ45 yuvası

LAN bağlantı noktası: Cat5e kablосunu ağ ekipmanına bağlamak için RJ45 yuvası



AC+DC Gelişmiş Güç enjektörü

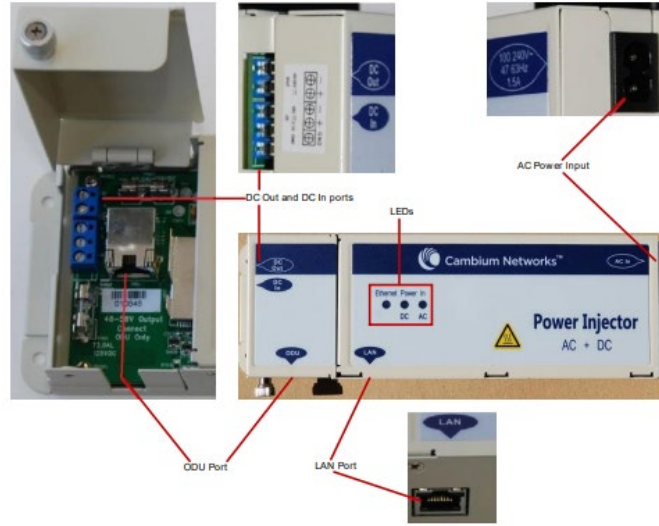
AC güç girişi: 100-240 V 47-63 Hz 1,5 A

DC Girişi: Alternatif DC güç kaynağı girişi

ODU: Cat5e kablосunu Dış Mekan Ünitesine bağlamak için RJ45 yuvası

LAN: Cat5e kablосunu ağa bağlamak için RJ45 yuvası

DC Çıkışı: İkinci bir Güç Kaynağı Ünitesine (PSU) (yedek güç kaynağı olarak) veya bir Ağ İç Mekan Ünitesine (NIDU) giden DC güç çıkışı



Uyarı

Sağlamlaştırılmış Yüksek Kazanımlı Entegre Abone Modülü PMP 450 Ruggedized High Gain Integrated Subscriber Module (Cambium parça numarası C035045C014A ve C036045C014A), 450i tipi mahfazayla kapsanmış olsa da, 30 V DC ile beslenmesi gereken 450 devre parçası içermektedir. Bu Abone Modüllerinin (SM) 56 V DC ile beslenmesi cihaza hasar verecektir.

Aşırı gerilim koruma üniteleri

Aşağıdaki tablo her bir telsiz modeline uygun aşırı gerilim koruyucularını listelemektedir.

Model	30 V DC	56 V DC	C000000L065A Gigabit Ethernet Aşırı Gerilim	600SSH (100 BASE T)	C000000L033A Gigabit Ethernet Aşırı Gerilim	C000065L007B Yıldırım Düşmesine Karşı Koruma	C000000L114A DC Yıldırım Düşmesine Karşı
PMP 450 AP	X	-	X	X	-	-	-
PMP 450 SM	X	-	X	X	-	-	-
PTP 450	X	-	X	X	-	-	-

PMP 450b	X	-	X	X	-	-	-
PMP 450i AP	-	X	-	-	X	X	-
PMP 450i SM	-	X	-	-	X	X	-
PTP 450i	-	X	-	-	X	X	-
5 GHz PMP 450m AP	-	X	-	-	-	X	-
3 GHz PMP 450m AP	-	-	-	-	-	-	X

Cambium Networks PMP 450i veya PMP 450b platformlarında Gaz Boşaltım Tüplü aşırı gerilim koruması kurulmasını ÖNERMEZ.

Diğer aksesuarlar

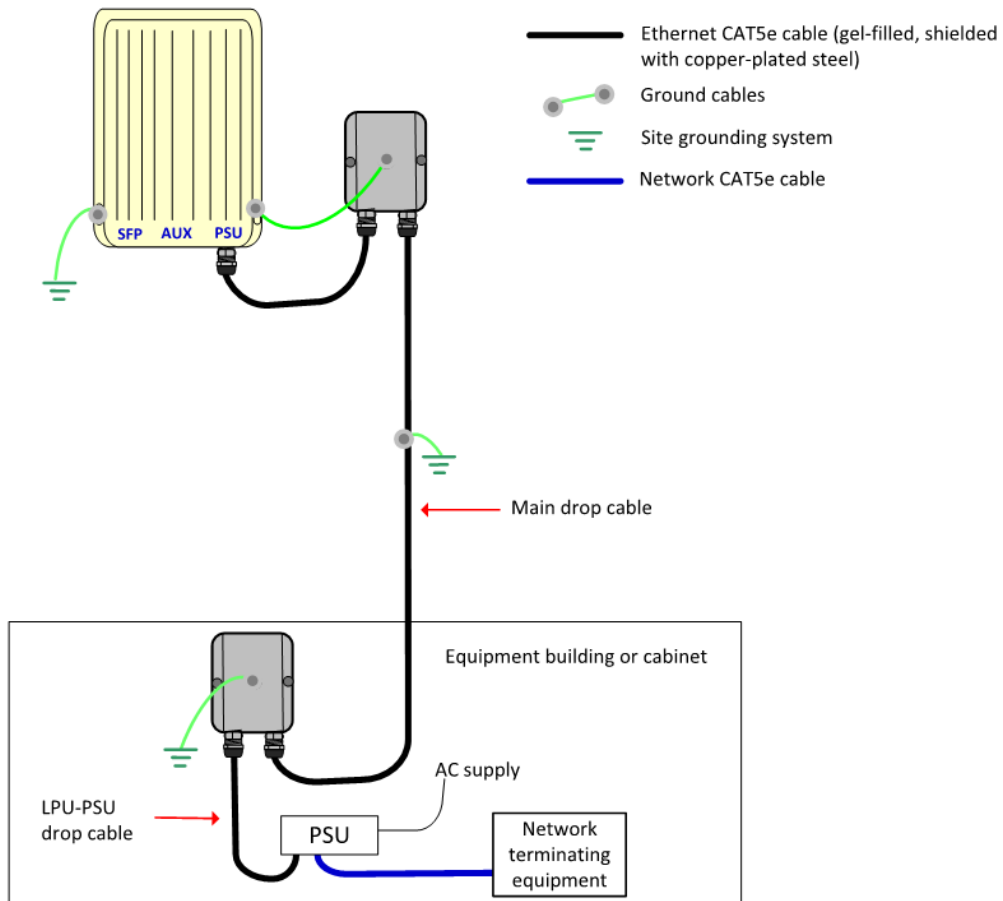
Cambium Networks güç kordonları, saplama kabloları, topraklama kabloları vb gibi geniş çeşitliliğe sahip ilave aksesuarlar sunmaktadır. Daha fazla ayrıntı için lütfen kullanım kılavuzuna veya sipariş kılavuzuna bakın.

7. Ekipmanı Kurma ve Bağlama

Ulusal düzenlemeleri gözden geçirin ve tüm uygun düzenleme lisanslarının kurulum öncesinde alınmasını sağlayın. Kurulum öncesinde, Dış Mekan Ünitelerinin konumunun iyi telsiz kapsama alanı sağlayacak ve paraziti en aza indirecek şekilde dikkatlice planlanması gerekir. Bağlantı performansını optimize etmek için LINKPlanner gibi bir telsiz planlama aracı kullanın. Ekipmanın kurulumu ve hizmete alınması eğitimli personel tarafından gerçekleştirilmelidir.

Dış Mekan Ünitelerinin temel kurulumu

1. Dış Mekan Ünitesinin bir sonraki bölümde (8. bölüm) tarif edildiği şekilde ön yapılandırmasını yapın
2. Dış Mekan Ünitelerini güç kapalı durumdayken kurun
3. Dış Mekan Ünitesini telsiz ufku tarafından engellenmeyecek ve Fresnel bölgesine hiçbir nesne girmeyecek şekilde yerleştirin.
4. Erişim Noktalarında her bir dilim düzenlemesi için bakış yönünü belirlemek üzere yerel harita, pusula ve/veya GPS cihazı kullanın. Uygun derecede aşağıda doğru eğim uygulayın.
5. Kabloları aşağıdaki diyagram uyarınca Dış Mekan Ünitesine takın
 - a. Ethernet Üzerinden Güç (PoE) güç kaynağının "Veri" ya da "LAN" bağlantı noktasından uygun bir dizüstü bilgisayarın Ethernet bağlantı noktasına bir Ethernet kablosu takın
 - b. Dış Mekan Ünitesinden gelen saplama kablosunu güç kaynağının "Veri + Güç" ya da "ODU" bağlantı noktasına bağlayın
 - c. Aşırı gerilim koruyucuları gösterildiği şekilde takın ve gerektiği şekilde topraklama kablolarını takın
 - d. Güç kaynağını bir güç ünitesine takın
 - e. Dış bağlantıların su geçirmezliğini sağlayın



450 serisi Abone Modüllünün (SM) Kurulması

Abone Modüllünün doğru şekilde hizalanmasını sağlamak için ilave adımların atılması gerekir.

- Hizalama aracı ya da hizalama tonu kullanarak bir kaba hizalama prosedürü gerçekleştirilmelidir.
- Erişim Noktası (AP) ile Abone Modüllü (SM) bağlantısını; güç seviyesini, bağlantı testlerini, gözden geçirme kaydını ve oturum sayılarını gözden geçirerek doğrulayın.

Daha fazla ayrıntı için kullanım kılavuzuna başvurun.

450 serisi PTP bağlantılarının kurulması

Bir "Geri Veri Aktarımı Ana Ünite" (BHM) kurma işlemi, Erişim Noktası için tarif edilene benzerlik göstermektedir. "Geri Veri Aktarımı Bağlı Ünite" (BHS) kurulumunu gerçekleştirirken, hizalama aracı ya da hizalama tonu kullanarak bir kaba hizalama prosedürü gerçekleştirilmelidir. Daha fazla ayrıntı için kullanım kılavuzuna başvurun.

Montaj düzenlemeleri, kablolama ve hizalama hakkında daha fazla ayrıntı için 450 serisi kullanım kılavuzu veya eğitim materyaline başvurun. Kılavuzlar Cambium Networks web sitesinde bulunmaktadır, bu dokümanın sonundaki bağlantılara bakınız.

8. 450 serisi cihazı ulusal düzenleme şartlarını yerine getirecek şekilde yapılandırma

Cambium, ünitelerin kurulmadan önce arka planda ön yapılandırılmalarının yapılmasını önerir.

450 serisi üniteyi Ethernet Üzerinden Güç (PoE) güç kaynağına ve uygun bir bilgisayara bağlayın.

- Bilgisayardan gelen Ethernet kablosunu Ethernet Üzerinden Güç (PoE) kaynağındaki "veri" bağlantı noktasına bağlayın
- Ethernet Üzerinden Güç (PoE) kaynağı "veri ve güç" bağlantı noktasından 450 telsizine giden başka bir Ethernet kablosu bağlayın
- Ethernet Üzerinden Güç (PoE) kaynağı güç kordonunu bir prize takın ve güç düğmesini açık konuma getirin
- POE kaynağındaki güç LED ışığının yanıp yanmadığını kontrol edin

450 serisi telsizlerde -

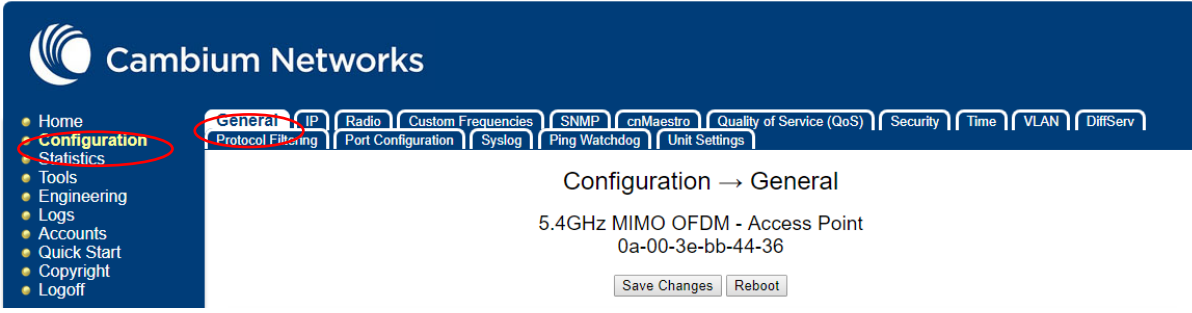
- Turuncu Ethernet LED ışığının 10 defa yavaş yanıp sönmeye başlayıp başlamadığını kontrol edin.
- Ardından Ethernet LED ışığının kesintisiz yanıp yanmadığını kontrol edin.

Bilgisayarda, 169.254.0.0 ile 169.254.1.1 adresleri dışında, 169.254.X.X aralığını kullanarak Ethernet bağlantı noktasını bir statik IP adresiyle yapılandırın. Buna iyi bir örnek olarak 169.254.1.3 verilebilir. 255.255.0.0 adresinden oluşan bir alt ağ maskesi girin. Varsayılan ağ geçidini boş bırakın.

- Bir web tarayıcısı kullanarak, fabrika varsayılan web adresi olan 169.254.1.1 adresine gidin ve giriş yapın.
- Kullanıcı Adı (fabrika varsayılan kullanıcı adı admin) ve Parolayı (fabrika varsayılan parolası admin) girin ve Giriş Yap ögesine tıklayın.

450 web arayüz menüsü ve Sistem Özeti sayfası görüntülenecektir.

Web sayfasının sol tarafındaki menüde, gösterildiği gibi 'Yapılandırma' ögesini seçin:



"Genel" sekmesine tıklayın ve aşağı doğru "Bölge Ayarları" penceresine kadar kaydırın:

Region Settings	
Region :	Europe
Country :	Other

"Bölge" kodunun ünitenin kurulacağı bölgeyle eşleşip eşleşmediğini kontrol edin. Eşleşmiyorsa, doğru bölgeyi seçin, aksi takdirde daha fazla ilerlemeyin.

"Ülke" kutusuna tıklayın ve aşağı açılan listeden ünitenin kurulacağı ülkeyi seçin ya da ülke listede yoksa "Diğer" ögesini seçin.

"Değişiklikleri Kaydet" düğmesine ve ardından "Yeniden Başlat" düğmesine basın.

Yeniden başlatıldığında, tekrar giriş yapın.

"Telsiz" sekmesine gidin. "Telsiz Yapılandırma" menüsünden, gerekli frekans bandını seçin; ardından "Değişiklikleri Kaydet" düğmesine ve sonra "Yeniden Başlat" düğmesine basın. Yeniden başlatıldıktan sonra tekrar giriş yapın ve uygun operatör ve bant genişliği seçmek için tekrar "Telsiz Konfigürasyonu(Yapılandırması)" menüsüne gelin. Telsizin AB sürümlerinin 5,4 GHz ve 5,7 GHz banları için "Alternatif" operatörlerinin seçilmesi gerekebilir.

Radio Configuration	
Frequency Band :	5.4 GHz
Frequency Carrier :	5495.0 LBT Frequency Selected
Alternate Frequency Carrier 1 :	5510.0
Alternate Frequency Carrier 2 :	5520.0
Channel Bandwidth :	10 MHz
Frame Period :	<input type="radio"/> 5.0 ms <input checked="" type="radio"/> 2.5 ms
Cyclic Prefix :	One Sixteenth

"Değişiklikleri Kaydet" düğmesine ve ardından "Yeniden Başlat" düğmesine basın.

Yeniden başlattıktan sonra, "Telsiz" sekmesinden geri "Güç Kontrolü" menüsüne gidin. EIRP ögesinin telsizin kurulduğu ülke için belirlenmiş doğru değere ayarlanıp ayarlanmadığını kontrol edin. EIRP ögesi ulusal düzenlemeler içerisinde ayarlanmadığı sürece daha fazla ilerlemeyin. Konektörlü bir üniteyi yapılandırıyorsanız, "5 GHz 450i serisi konektörlü üniteler - ek adımlar" bölümündeki talimatları uygulayın.

Daha ileri kurulum adımları

Şimdi diğer 450 ünitesi parametrelerini ayarlayın. 'Hızlı Başlangıç' menüsünü seçerek ve uygulayarak, çalıştırma işlemi için gereken minimum yapılandırmayı ayarlayabileceksiniz.

Konektörlü üniteler - ek adımlar

Konektörlü bir telsiz harici bir antenle çalışacak şekilde yapılandırmak için, "Telsiz" grafik kullanıcı arayüzü (GUI) ile anten kazanımının girilmesi gerekir. 450 web sayfasında, sol taraftaki menüde "Konfigürasyon" ögesini ve ardından "Telsiz" sekmesini seçin.

Ardından, "Güç Kontrolü" penceresine gidin ve harici antenin kazanımını dBi cinsinden aşağıda bulunan ikinci kutuya girin. Telsiz otomatik olarak verici gücünü uygun şekilde ayarlayacaktır (telsizin yeniden başlatılması gerekebilir).

Power Control	
Transmit Power :	11 dBm (Range: -30 — +20 dBm) (8 dBm V / 8 dBm H)
External Gain :	16 dBi (Range: 0 — +40 dBi)
SM Receive Target Level :	-52 dBm (Range: -77 — -37 dBm) combined power
Adjacent Channel Support :	<input type="radio"/> Enabled <input checked="" type="radio"/> Disabled

"Harici Kazanım" girildiğinde "Verici Gücü" kutusunda görüntülenen rakamın ulusal düzenlemelere göre izin verilen yayın gücünü aşıp aşmadığını kontrol edin.

450 web arayüzü grafik kullanıcı (GUI) arayüzünün aşırı anten kazanımları girilemeyecek şekilde kısıtlandığını unutmayın.

9. Harici Antenler

Önerilen Harici Antenler

Cambium Networks PMP 450/450i AP konektörlü ünitelerle kullanılmak üzere aşağıdaki antenleri önerir:

- Cambium parça numarası 85009324001 - 5 GHz Anten, 90 Derece Dilimli, 17dBi kazanımlı
- Cambium parça numarası C030045D901A - 3,3-3,8 GHz Anten, Çift Eğimli Anten, 90 Derece Dilimli

5 GHz konektörlü PTP 450i uygulamalarında, Cambium Networks aşağıdaki çanak antenleri önerir.

Cambium parça numarası	Açıklama
RDH4503B	5,25-5,85GHz 2 ayak (0,6 m), 29,0 dBi, Çift Polarizasyon, H-Pol ve V-Pol, ince ayarlı
RDH4504B	5,25-5,85GHz 3 ayak (0,9 m), 32,5 dBi, Çift Polarizasyon, H-Pol ve V-Pol
RDH4505B	5,25-5,85GHz 4 ayak (1,2 m), 34,9 dBi, Çift Polarizasyon, H-Pol ve V-Pol
RDH4506B	5,25-5,85GHz 6 ayak (1,8 m), 37,9 dBi, Çift Polarizasyon, H-Pol ve V-Pol
RDH4508B	5,25-5,85GHz 2 ayak (0,6 m), 28,8 dBi, Yüksek Performanslı Çift Polarizasyon
RDH4509B	5,25-5,85GHz 3 ayak (0,9 m), 32,3 dBi, Yüksek Performanslı Çift Polarizasyon
RDH4510B	5,25-5,85GHz 4 ayak (1,2 m), 34,7 dBi, Yüksek Performanslı Çift Polarizasyon
RDH4511B	5,25-5,85GHz 6 ayak (1,8 m), 37,7 dBi, Yüksek Performanslı Çift Polarizasyon

Konektörlü Üniteler için Alternatif Antenler

5 GHz 450 serisi konektörlü üniteler, dikey ve yatay polarizasyonlu (VH) çift kutuplu bir antene bağlanmak üzere tasarlanmıştır.

3 GHz 450 serisi konektörlü ünitelerde çift eğimli polarizasyonlu harici çift kutuplu anten kullanılması önerilir. 450i/450 serisi konektörlü telsizler aşağıdaki anten türlerini kullanan AB mevzuatı uyumluluğu için test edilmiştir. Her bir anten türünün maksimum kazanımı aşağıda gösterilmektedir. Eşdeğer ya da daha düşük kazanımlı antenler ve aynı anten türleri kullanılabilir. AB için, daha yüksek kazanımlı bir anten kullanmayın. Diğer kullanıcılarla ilgili potansiyel telsiz parazitini azaltmak için, anten türü ve kazanımı eşdeğer izotropik yayılım gücü (EIRP) başarılı bir haberleşme için gerekenden daha fazla olmayacak şekilde seçilmelidir.

Anten Türü	Üreticinin Anten Kazanımı (dBi)			
	4,9 GHz Bandı	5,1 GHz Bandı	5,4 GHz Bandı	5,8 GHz Bandı
6 inç Parabolik Çanak	37,2	37	-	38,1
4 inç Parabolik Çanak	-	-	34,9	-
Düz Plaka	28	28,5	28,5	28,5
Dilimlenmiş	17	17	17	17
OMNI	13	13	13	13

10. Cambium Networks tarafından sağlanabilen Diğer Aksesuarlar

GPS Senkronizasyonu

Ağın kendi parazitini sınırlamak için bir Global Konumlandırma Sistemi (GPS) senkronizasyon özelliği sunar. 450 serisi Erişim Noktaları (APs) ya da Geri Veri Aktarımı Ana Üniteleri "cnPulse" Senkronizasyon Oluşturucu ya da bir "Evrensel GPS modülü"nden gelen GPS zamanlama girişini kabul edecektir. Bu üniteler iki telsize kadar zamanlama sağlayabilir. İki'den fazla telsizin aynı yerde konumlandırıldığı durumlarda, senkronizasyonu çok sayıda telsize dağıtmak için bir Küme Yönetimi (CMM) kullanılabilir.

cnPulse ve Evrensel GPS (UGPS)

cnPulse ya da Evrensel GPS (UGPS) ünitesi, bir Küme Yönetiminin (CMM) maliyet etkin olmayabileceği daha küçük ağlar için ağ senkronizasyonu sağlar. Bu senkronizasyon üniteleri tüm Cambium 450 serisi telsizlerde çalışır. Kapladıkları alan küçük olup kurulumları kolaydır.



Küme Yönetimi Modülü (CMM)

Küme Yönetimi (CMM) Global Konumlandırma Sistemi (GPS) senkronizasyonunun Erişim Noktası (AP) ve tüm ilişkili Abone Modüllerine (SMs) dağıtımını sağlar. Küme Yönetimi (CMM) modülü bir Erişim Noktası (AP) kümesi için gücü, GPS zamanlamasını ve ağ bağlantılarını dağıtır. Küme Yönetimi (CMM) modülü dahili bir anahtarla donatılmış halde gelebilir veya ağ operatörünün kendi tercih ettiği anahtarı takabilmesi için anahtarsız olarak satın alınabilir. Tek bir Küme Yönetimi (CMM) modülü aynı kulede bulunan farklı çeşitlilikteki Erişim Noktası (AP) Dış Mekan Üniteleriyle olduğu kadar, Noktadan Noktaya (PTP) Dış Mekan Ünitesiyle de haberleşebilir, böylece söz konusu konumun tamamı için bağlantılabirlik sağlayabilir. Küme Yönetimi (CMM) bir Ethernet beslemesine ve aynı konumda bulunan en fazla sekize kadar Telsize bağlanabilir. Küme Yönetimi (CMM) modülüne zamanlama sağlamak için harici bir GPS ünitesi gerekir.

CMM5

CMM5 (Küme Yönetimi Modülü) sahada Eşzamanlı Çift Yönlü Zaman Bölmesi (TDD) Senkronizasyon sinyallerinin ve Ethernet Üzerinden Güç (PoE) dağıtımı için en yeni nesil çözümdür. CMM5, ayrı ayrı 4 bağlantı noktalı güç enjektörlü ve uzaktan yönetim için kullanılan opsiyonel kontrol cihazlı modüler bir tasarımdır.

CMM5 modülünün başlıca özellikleri:

- Gigabit Ethernet (1000BaseT) desteği
- Modüler olup, 4 bağlantı noktasından 32 bağlantı noktasına kadar ölçeklendirilebilir
- Doğrudan +/- 48 V DC giriş (isteğe bağlı AC/DC güç kaynakları Cambium Networks'tan temin edilebilir)
- Senkronizasyon kaynağı olarak Cambium Networks Evrensel GPS (UGPS) cihazını kullanır
- Çift esneklikli güç girişleri



11.AB'de Çalıştırma

Frekans Bantları, Maksimum Çalıştırma Gücü ve Güvenli Mesafe

5 GHz üniteler

AB'de, 5 GHz PMP 450 serisi ürünler aşağıdaki frekans bantlarında gösterilen en yüksek güçte çalıştırılır:

Çalıştırma Frekans Bandı	AB Standardı	Maksimum Güç Sınırı (EIRP)	İzin verilen kullanım	Bu frekans bandını destekleyen 5 GHz üniteler
5470 - 5725 MHz	EN 301 893	1 Watt / 30 dBm	Tüm AB ülkelerinde genel kullanıma uygundur	Tüm 450 serisi
5725 - 5875 MHz	EN 302 502	4 Watt / 36 dBm	Bazı AB ülkelerinde izin verilir; bkz. Not 1 - 2	Tüm 450 serisi

Not 1: Aşağıdaki AB ülkelerinde 5,8 GHz bandında çalıştırmaya izin verilmez: AT, BG, CZ, CY, FR, HR, IT, LU, LV, NL, PL, TR. Diğer ülkelerde, çalıştırma için resmi lisans gerekli olabilir; lütfen ulusal resmi web sitenizden kontrol edin.

Not 2: Telsiz her bir ülke kodu için uygun ulusal frekans tahsisleri, güç ve DFS ayarlarını uygular.

AB'de kurulumu yapılan 5 GHz 450 serisi ürünler için ekipman ve insanlar arasındaki minimum güvenli mesafe 25 cm'dir.

Not: konektör fonksiyonlu bir ünite yüksek kazanımlı bir antenle birlikte kullanılıyorsa, kurulumu yapan kişinin anten kazanımının bir fonksiyonu olarak minimum güvenli mesafeyi hesaplaması gerekir.

3 GHz üniteler

AB'de, 3 GHz PMP 450 serisi ürünler aşağıdaki frekans bantlarında gösterilen en yüksek güce kadar çalıştırılabilir:

Çalıştırma Frekans Bandı	AB Standardı	Maksimum Güç Sınırı (EIRP)	İzin verilen kullanım	Bu frekans bandını destekleyen 3 GHz üniteler
3410 – 3800 MHz	E 302 326-1 E 302 326-2	501 W/ 57 dBm	Bu AB içerisinde lisanslı bir banttır. Bkz. Not 1	Bkz. Not 2

Not 1: Kurulumu gerçekleştirmeden önce ulusal lisans kurumunuzdan lisans almanız gerekir. Bu lisansla izin verilen frekansın, bant genişliğinin ve kullanılacak maksimum gücün belirtilmiş olması gerekir. Ekipmanı buna göre ayarlayın.

Not 2: Avrupa ülkeleri için, 3 GHz PMP 450i ve 3 GHz PMP 450m varyantlarının çalışma frekansı 3410 MHz ile 3800 MHz; 3,5 GHz PMP 450 SM için 3410 MHz ile 3600 MHz; 3,65 GHz PMP 450 SM için 3550 MHz ile 3800 MHz şeklinde olacaktır.

AB'de kurulumu yapılan 450m serisi ürünler için ekipman ve insanlar arasındaki minimum güvenli mesafe 2,3 metredir.

AB'de kurulumu yapılan 450 ürün grubundaki tüm diğer ürünler için ekipman ve insanlar arasındaki minimum güvenli mesafe 50 cm'dir.

Not: konektör fonksiyonlu bir ünite yüksek kazanımlı bir antenle birlikte kullanılıyorsa, kurulumu yapan kişinin anten kazanımının bir fonksiyonu olarak minimum güvenli mesafeyi hesaplaması gerekir.

AB'de Kullanım - Kullanım izni kısıtlamaları ve gereklilikleri

- Bu telsiz ekipmanı sadece dış mekan kullanımı içindir.
- Cambium 450 serisi ürünler, farklı ülkelerdeki frekans planlamasına bağlı olmak üzere, lisanslı ve lisanssız frekans bantlarında çalışacak şekilde yapılandırılabilir. Operatörler/ Son Kullanıcılar ekipmanın çalışma işleminin yapılacağı ülkede yürürlükte bulunan mevzuata göre kurulum ve çalışma işlemlerinin gerçekleştirilmesini sağlamalı ve gerekli lisans ya da izinleri almalıdır.

Basitleştirilmiş AB Uygunluk Beyanı

İşbu beyan metniyle üretici Cambium Networks Ltd. şirketi, aşağıdaki telsiz ekipmanı türlerinin:-

- 5 GHz PMP 450i
- 5 GHz PTP 450i
- 5 GHz 450b Mid-Gain
- 5 GHz 450b High-Gain
- 5 GHz PMP 450m
- 3,5 GHz PMP 450 SM
- 3,65 GHz PMP 450 SM
- 3 GHz PMP 450i
- 3 GHz PMP 450m

2014/53/EU Direktifine uygun olduğunu beyan eder. AB uygunluk beyanının tam metnine erişilebilecek internet adresi: http://www.cambiumnetworks.com/eu_dofc

Atık Elektrikli ve Elektronik Ekipmanlar (WEEE) direktifi



Lütfen Elektronik ve Elektrikli Ekipmanları veya Elektronik ve Elektrikli Aksesuarları ev atıklarınızla birlikte atmayın. Bazı ülkelerde ya da bölgelerde elektrikli ve elektronik ekipman atıklarının yönetimi için toplama sistemleri kurulmuştur. Avrupa Birliği ülkeleri içerisinde, ülkenizdeki atık toplama sistemi hakkında bilgi için yerel ekipman tedarikçi temsilcinizle veya Cambium Networks Destek Merkeziyle iletişime geçin.

12. Cambium Networks

Cambium Networks dünya genelindeki müşterilerine profesyonel sınıfta sabit kablosuz geniş bant ve mikrodalga çözümleri sunar. Kurulumu kolay ve üstün performans sağladığı kanıtlanmış, güvenilir, güvenli, maliyet-etkin bağlanabilirlik sağlayan yenilikçi teknolojileriyle sunduğumuz çözümlerimiz 153'ten fazla ülkede ağlara kurulmaktadır.

Ödül kazanan Noktadan Noktaya (PTP) telsiz çözümlerimiz lisanslı, lisanssız ve ABD Federal piyasasına yönelik özel FIPS 140-2 çözümleri de dahil olmak üzere tanımlı bantları kullanıyor. %99,999 kullanılabilirlik düzeyinde sağlanmış Noktadan Noktaya (PTP) çözümlerimizin mükemmel geçmiş performansı, görüş mesafesi olmayan RF ortamlarında bile, güvenilir, yüksek hızlı geri veri aktarım bağlanabilirliği sunduğu gösteriyor.

Esnek Noktadan Çoklu Noktaya (PMP) çözümlerimiz lisanslı, lisanssız ve federal frekans banlarında çalışarak, güvenilir, güvenli, maliyet-etkin erişimli ağ hizmetleri sağlıyor. Dünya genelinde ağlara kurulan üç milyondan fazla modülle, Noktadan Çoklu Noktaya (PMP) erişim ağ çözümlerimiz yerleşim bölgelerinde erişim, kiralık hat yedeği, güvenlik kamerası sistemi ve akıllı şebeke altyapısı çözümleriyle her gün kendini kanıtlamaktadır.

Cambium Networks çözümleri kablosuz geniş bant sektörünün kendini kanıtlamış, saygın öncülerindedir. Dünya genelinde neredeyse her yerde, hayati haberleşme, kişisel, ticari ve toplumsal büyümeyi güçlendirilmeyi mümkün kılan ve sağlayan yenilikçi veri, ses ve video bağlanabilirlik çözümlerini tasarlıyoruz, kuruyoruz ve teslim ediyoruz.

Kullanım Kılavuzları:	http://www.cambiumnetworks.com/guides
Teknik eğitim:	https://learning.cambiumnetworks.com
Destek web sitesi:	https://support.cambiumnetworks.com
Ana web sitesi:	http://www.cambiumnetworks.com
Satışla ilgili sorular:	solutions@cambiumnetworks.com
Destek soruları:	https://support.cambiumnetworks.com
Telefon numarası listesi:	http://www.cambiumnetworks.com/contact-us/
Adres:	Cambium Networks Limited, Linhay Business Park, Eastern Road, Ashburton, Devon, TQ13 7UP Birleşik Krallık