



QUICK START GUIDE

**PTP 670 Series**



# Content

<b>ENGLISH (UK, IE, NO)</b> .....	<b>8</b>
NOTICES .....	9
About this Quick Start Guide.....	9
Intended use.....	9
Operation in the EU.....	9
Simplified EU Declaration of Conformity.....	11
Professional installation.....	11
User documentation.....	11
Waste Electrical and Electronic Equipment (WEEE).....	11
Safety.....	11
Equipment manufacturer.....	13
TYPICAL INSTALLATIONS.....	14
ODU VARIANTS AND MOUNTING BRACKET OPTIONS.....	15
INSTALLING THE ODU AND TOP LPU .....	17
Attach ground cables to the ODU.....	17
Mount the ODU on the mast.....	17
Mount the top LPU.....	20
Interconnect and ground the ODU and top LPU.....	20
Install external antennas for a Connectorized ODU.....	21
INSTALLING THE COPPER CAT5E ETHERNET INTERFACE.....	23
Install the ODU to top LPU drop cable.....	23
Install the main drop cable.....	25
Install the bottom LPU to PSU drop cable.....	27
Test resistance in the drop cable.....	28
INSTALLING THE PSU .....	30
Installing the AC Power Injector.....	30
Installing the AC+DC Enhanced Power Injector.....	30
CONFIGURING THE ODU FOR OPERATION IN THE EU .....	32
Generate a country-specific License Key.....	32
Configure the management PC.....	32
Connect the ODU to the PC and powering up.....	32
Logging into the web interface.....	32
Update the License Key and configure the ODU.....	33
<b>CZECH (CS)</b> .....	<b>35</b>
POZNÁMKY .....	36
O této příručce.....	36
Určení.....	36
Provoz v EU.....	36
Zjednodušené prohlášení o shodě pro EU.....	37
Odborná montáž.....	37
Uživatelská dokumentace.....	38
Odpadní elektrická a elektronická zařízení (OEEZ).....	38
Bezpečnost.....	38
Výrobce zařízení.....	40
TYPICKÉ ZPŮSOBY INSTALACE.....	41
VARIANTY VENKOVNÍ JEDNOTKY A DOSTUPNÉ MONTÁŽNÍ DRŽÁKY .....	42
INSTALACE VENKOVNÍ JEDNOTKY A HORNÍ PŘEPĚŤOVÉ OCHRANY.....	44
Připojení zemnicích kabelů k venkovní jednotce.....	44
Upevnění venkovní jednotky na stožár.....	44
Upevnění horní přepěťové ochrany.....	47

Propojení a uzemnění venkovní jednotky a horní přepět'ové ochrany .....	47
Upevnění externích antén pro venkovní jednotku s konektorem .....	48
<b>PŘIPOJENÍ MĚDĚNÉHO ETHERNETOVÉHO ROZHRANÍ CAT5E .....</b>	<b>50</b>
Připojení připojovacího kabelu od horní přepět'ové ochrany k venkovní jednotce.....	50
Připojení hlavního připojovacího kabelu .....	52
Upevnění připojovacího kabelu mezi spodní přepět'ovou ochranou a napájecím zdroje .....	54
Změření odporu připojovacího kabelu.....	55
<b>INSTALACE NAPÁJECÍHO ZDROJE .....</b>	<b>57</b>
Připojení střídavého napájecího injektoru.....	57
Připojení rozšířeného střídavo-stejnsměrného napájecího injektoru .....	57
<b>NASTAVENÍ VENKOVNÍ JEDNOTKY K PROVOZU V EU.....</b>	<b>59</b>
Vygenerování licenčního klíče pro konkrétní zemi.....	59
Nastavení počítače používaného ke správě.....	59
Připojení venkovní jednotky k počítači a její zapnutí .....	59
Přihlášení k webovému rozhraní.....	59
Aktualizace licenčního klíče a nastavení venkovní jednotky .....	60
<b>FRENCH (FR).....</b>	<b>62</b>
<b>REMARQUES .....</b>	<b>63</b>
À propos de ce guide de démarrage rapide .....	63
Usage prévu.....	63
Exploitation dans l'UE.....	63
Déclaration de conformité de l'UE simplifiée .....	64
Installation professionnelle.....	65
Documentation de l'utilisateur .....	65
Mise au rebut des équipements électriques et électroniques (DEEE).....	65
Sécurité.....	65
Fabricant de l'équipement .....	67
<b>INSTALLATIONS TYPIQUES.....</b>	<b>68</b>
<b>VARIANTES D'ODU ET OPTIONS DE MONTAGE SUR SUPPORT .....</b>	<b>69</b>
<b>INSTALLATION DE L'ODU ET DE LA LPU SUPÉRIEURE .....</b>	<b>71</b>
Connexion des câbles de masse à l'ODU .....	71
Montage de l'ODU sur le mât.....	71
Montage de la LPU supérieure .....	74
Interconnexion et mise à la masse de l'ODU et de la LPU supérieure .....	74
Installation des antenne externes pour une ODU connectée .....	75
<b>INSTALLATION DE L'INTERFACE CUIVRE ETHERNET CAT. 5E .....</b>	<b>77</b>
Installer le câble de liaison de l'ODU vers la LPU supérieure .....	77
Installer le câble de liaison principal.....	79
Installer le câble de liaison de la LPU inférieure à la PSU.....	81
Tester la résistance dans le câble de liaison .....	82
<b>INSTALLATION DE LA PSU .....</b>	<b>84</b>
Installation de l'injecteur d'alimentation CA.....	84
Installation de l'injecteur d'alimentation amélioré CA+CC .....	84
<b>CONFIGURATION DE L'ODU POUR EXPLOITATION DANS L'UE.....</b>	<b>86</b>
Générer une clé de licence spécifique pour votre pays .....	86
Configurer le PC de gestion .....	86
Connecter l'ODU au PC et la mettre sous tension.....	86
Connexion à l'interface web .....	87
Mettre à jour la clé de licence et configurer l'ODU .....	87
<b>SPANISH (ES) .....</b>	<b>89</b>
<b>AVISOS .....</b>	<b>90</b>
Acerca de esta Guía de inicio rápido.....	90
Uso previsto .....	90

Operación en la UE.....	90
Declaración de conformidad simplificada de la UE .....	91
Instalación profesional.....	91
Documentación del usuario.....	92
Directiva de Residuos de aparatos eléctricos y electrónicos (RAEE) .....	92
Seguridad.....	92
Fabricante del equipo.....	94
<b>INSTALACIONES TÍPICAS .....</b>	<b>95</b>
<b>VARIANTES DE ODU Y OPCIONES DE SOPORTE DE MONTAJE .....</b>	<b>96</b>
<b>INSTALACIÓN DE LA ODU Y LA LPU SUPERIOR .....</b>	<b>98</b>
Fijación de cables de puesta a tierra a la ODU.....	98
Montaje de la ODU en el mástil.....	98
Montaje de la LPU superior.....	101
Interconexión y puesta a tierra de la ODU y la LPU superior.....	101
Instalación de antenas externas para una ODU conectorizada.....	102
<b>INSTALACIÓN DE LA INTERFAZ DE COBRE ETHERNET CAT5E .....</b>	<b>104</b>
Instalación del cable de bajada de la ODU a la LPU superior.....	104
Instalación del cable de bajada principal.....	106
Instalación del cable de bajada de la LPU inferior a la fuente de alimentación.....	108
Comprobación de resistencia en el cable de bajada.....	110
<b>INSTALACIÓN DE LA FUENTE DE ALIMENTACIÓN.....</b>	<b>111</b>
Instalación del inyector de alimentación de CA .....	111
Instalación del inyector de alimentación reforzado de CA+CC.....	111
<b>CONFIGURACIÓN DE LA ODU PARA OPERACIÓN EN LA UE .....</b>	<b>113</b>
Generación de una clave de licencia específica del país.....	113
Configuración del PC de administración .....	113
Conexión de la ODU al PC y encendido.....	113
Inicio de sesión en la interfaz web.....	114
Actualización de la clave de licencia y configuración de la ODU.....	114
<b>ITALIAN (IT).....</b>	<b>116</b>
<b>AVVISI .....</b>	<b>117</b>
Informazioni su questa Guida introduttiva .....	117
Uso previsto .....	117
Funzionamento nell'UE .....	117
Dichiarazione di conformità UE semplificata.....	118
Installazione professionale .....	118
Documentazione utente.....	119
Direttiva sui rifiuti di apparecchiature elettriche ed elettroniche (RAEE) .....	119
Sicurezza.....	119
Produttore delle apparecchiature .....	121
<b>INSTALLAZIONI TIPICHE .....</b>	<b>122</b>
<b>VARIANTI ODU E OPZIONI DI MONTAGGIO CON TRAVERSINO.....</b>	<b>123</b>
<b>INSTALLAZIONE DI ODU E LPU SUPERIORE .....</b>	<b>125</b>
Collegare i cavi di terra all'ODU.....	125
Montare l'ODU sull'albero .....	125
Montare la LPU superiore .....	128
Interconnettere e mettere a terra l'ODU e la LPU superiore.....	128
Installare antenne esterne per un'ODU connettorizzata .....	129
<b>INSTALLAZIONE DELL'INTERFACCIA ETHERNET CAT5E IN RAME .....</b>	<b>131</b>
Installare l'ODU sul cavo di discesa della LPU superiore.....	131
Installare il cavo di discesa principale .....	133
Installare il cavo di discesa dalla LPU inferiore alla PSU.....	135
Verificare la resistenza nel cavo di discesa .....	136
<b>INSTALLAZIONE DELLA PSU.....</b>	<b>138</b>

Installazione dell'iniettore di alimentazione CA.....	138
Installazione dell'iniettore di alimentazione CA+CC.....	138
<b>CONFIGURAZIONE DELL'ODU PER IL FUNZIONAMENTO NELL'UE .....</b>	<b>140</b>
Generare un codice di licenza specifico per Paese.....	140
Configurare il PC di gestione .....	140
Collegare l'ODU al PC e accenderla .....	140
Accesso all'interfaccia Web.....	140
Aggiornare il codice di licenza e configurare l'ODU.....	141
<b>POLISH (PL).....</b>	<b>143</b>
<b>INFORMACJE .....</b>	<b>144</b>
Informacje o tym podręczniku wprowadzającym .....	144
Przeznaczenie:.....	144
Stosowanie na terenie UE.....	144
Uproszczona deklaracja zgodności UE .....	145
Profesjonalna instalacja.....	146
User documentation .....	146
Dyrektywa o zużytych sprzęcie elektrycznym i elektronicznym (WEEE): .....	146
Bezpieczeństwo .....	146
Producent urządzenia.....	148
<b>TYPOWA INSTALACJA .....</b>	<b>149</b>
<b>WARIANTY ODU I OPCJE KLAMRY MONTAŻOWEJ.....</b>	<b>150</b>
<b>MONTAŻ ODU I GÓRNEGO LPU .....</b>	<b>152</b>
Podłączanie kabli dosyłowych do ODU .....	152
Montaż ODU na maszcie .....	152
Montaż górnych LPU.....	155
Połączenie i uziemienie ODU oraz górnego LPU .....	155
Montaż zewnętrznych anten do ODU ze złączem anteny zewnętrznej.....	156
<b>MONTAŻ ZŁĄCZA KABLA MIEDZIANEGO CAT5E ETHERNET .....</b>	<b>158</b>
Montaż kabla dołączeniowego między ODU a górnym LPU.....	158
Montaż głównego kabla dołączeniowego.....	160
Montaż kabla dołączeniowego między dolnym LPU a zasilaczem.....	162
Testowanie rezystancji w kablu dołączeniowym .....	164
<b>MONTAŻ ZASILACZA .....</b>	<b>165</b>
Montaż zasilacza (AC Power Injector).....	165
Montaż zasilacza AC+DC Enhanced Power Injector.....	165
<b>CONFIGURING THE ODU FOR OPERATION IN THE EU .....</b>	<b>167</b>
Generate a country-specific License Key.....	167
Konfiguracja komputera do zarządzania.....	167
Podłączanie ODU do komputera i włączanie urządzenia.....	167
Logowanie do interfejsu w przeglądarce internetowej.....	168
Aktualizacja klucza licencyjnego i konfiguracja ODU.....	168
<b>TURKISH (TR).....</b>	<b>170</b>
<b>UYARILAR.....</b>	<b>171</b>
Bu Hızlı Başlangıç Kılavuzu Hakkında .....	171
Kullanım amacı.....	171
AB'de Çalıştırma.....	171
Basitleştirilmiş AB Uygunluk Beyanı .....	172
Profesyonel kurulum.....	172
Kullanıcı belgeleri .....	173
Atık Elektrikli ve Elektronik Ekipmanlar (WEEE).....	173
Güvenlik.....	173
Ekipman üreticisi .....	175

TIPIK KURULUMLAR.....	176
DİŞ MEKAN ÜNİTESİ ÇEŞİTLERİ VE MONTAJ DIRSEĞİ SEÇENEKLERİ .....	177
DİŞ MEKAN ÜNİTESİ (ODU) VE EN ÜST PARATONER ÜNİTESİ (LPU) KURULUMU .....	179
Topraklama kablolarını Dış Mekan Ünitesine takın.....	179
Dış Mekan Ünitesi direğe monte etme .....	179
En Üstteki Paratoner Ünitesini Monte Etme.....	182
Dış Mekan Ünitesi ve Paratoner Ünitesini birbirine bağlama ve topraklama .....	182
Konektörlü Dış Mekan Ünitesi için harici antenleri kurma .....	183
BAKIR CAT5E ETHERNET ARAYÜZÜNÜN KURULMASI.....	185
Dış Mekan Ünitesi'ni en üstteki Paratoner Ünitesi saplama kablosuna takma.....	185
Ana saplama kablosunu takma.....	187
En alttaki Paratoner Ünitesini Güç Kaynağı Ünitesi saplama kablosuna takma.....	189
Saplama kablosundaki direnci test etme.....	190
GÜÇ KAYNAĞI ÜNİTESİNİ KURMA.....	192
AC Güç Enjektörünü Kurma .....	192
AC+DC Gelişmiş Güç Enjektörünü Kurma .....	192
DİŞ MEKAN ÜNİTESİNİ AB'DE ÇALIŞTIRMA İÇİN YAPILANDIRMA .....	194
Ülkeye özel Lisans Anahtarı oluşturma.....	194
Yönetim bilgisayarını yapılandırma.....	194
Dış Mekan Ünitesini bilgisayara bağlama ve güç verme.....	194
Web arayüzüne giriş.....	195
Lisans Anahtarını güncelleme ve Dış Mekan Ünitesini yapılandırma.....	195
<b>HUNGARIAN (HU) .....</b>	<b>197</b>
ELŐZETES INFORMÁCIÓK .....	198
A jelen rövid útmutatóról.....	198
Rendeltetésszerű használat .....	198
EU-beli üzemeltetés.....	198
Egyszerűsített EU-s megfeleléségi nyilatkozat.....	199
Szakszerű telepítés.....	200
Felhasználói dokumentáció .....	200
Az elektromos és elektronikus berendezések hulladékai (WEEE).....	200
Személybiztonság.....	200
Berendezésgyártó.....	202
JELLEMZŐ ELRENDEZÉSEK.....	203
A KÜLTÉRI EGYSÉG VÁLTOZATAI ÉS A RÖGZÍTŐELEM-VÁLASZTÉK .....	204
A KÜLTÉRI EGYSÉG ÉS A FELSZŐ VILLÁMVÉDELMI EGYSÉG TELEPÍTÉSE .....	206
Földelőkábelek csatlakoztatása a kültéri egységhez.....	206
A kültéri egység felszerelése az antennaárbócra .....	206
A felső villámvédelmi egység felszerelése .....	209
A kültéri egység és a felső villámvédelmi egység egymáshoz való csatlakoztatása és földelése .....	209
Külső antennák telepítése csatlakozóval ellátott kültéri egységhez.....	210
A RÉZ CAT5E ETHERNET INTERFÉSZ TELEPÍTÉSE.....	212
A kültéri egység és a felső LPU közötti bekötőkábel beszerelése .....	212
A fő bekötőkábel beszerelése.....	214
Az alsó LPU és a tápegység közötti bekötőkábel beszerelése.....	216
<b>A bekötőkábelben lévő ellenállás tesztelése.....</b>	<b>217</b>
A TÁPEGYSÉG TELEPÍTÉSE.....	219
Az AC Power Injector telepítése.....	219
Az AC+DC Enhanced Power Injector telepítése .....	219
A KÜLTÉRI EGYSÉG KONFIGURÁLÁSA EU-BELI ÜZEMELTETÉSRE .....	221
Országspecifikus licenckulcs generálása.....	221

A kezelési PC számítógép konfigurálása.....	221
A kültéri egység csatlakoztatása a PC-hez és áram alá helyezés.....	221
Bejelentkezés a webes felületre .....	221
A licenckulcs frissítése a kültéri egység konfigurálása.....	222

**Accuracy**

While reasonable efforts have been made to assure the accuracy of this document, Cambium Networks assumes no liability resulting from any inaccuracies or omissions in this document, or from use of the information obtained herein. Cambium Networks reserves the right to make changes to any products described herein to improve reliability, function, or design, and reserves the right to revise this document and to make changes from time to time in content hereof with no obligation to notify any person of revisions or changes. Cambium Networks does not assume any liability arising out of the application or use of any product, software, or circuit described herein; neither does it convey license under its patent rights or the rights of others. It is possible that this publication may contain references to, or information about Cambium Networks products (machines and programs), programming, or services that are not announced in your country. Such references or information must not be construed to mean that Cambium Networks intends to announce such Cambium Networks products, programming, or services in your country.

**Copyrights**

This document, Cambium Networks products, and 3rd Party software products described in this document may include or describe copyrighted Cambium Networks and other 3rd Party supplied computer programs stored in semiconductor memories or other media. Laws in the United States and other countries preserve for Cambium Networks, its licensors, and other 3rd Party supplied software certain exclusive rights for copyrighted material, including the exclusive right to copy, reproduce in any form, distribute and make derivative works of the copyrighted material. Accordingly, any copyrighted material of Cambium Networks, its licensors, or the 3rd Party software supplied material contained in the Cambium Networks products described in this document may not be copied, reproduced, reverse engineered, distributed, merged or modified in any manner without the express written permission of Cambium Networks. Furthermore, the purchase of Cambium Networks products shall not be deemed to grant either directly or by implication, estoppel, or otherwise, any license under the copyrights, patents or patent applications of Cambium Networks or other 3rd Party supplied software, except for the normal non-exclusive, royalty free license to use that arises by operation of law in the sale of a product.

**Restrictions**

Software and documentation are copyrighted materials. Making unauthorized copies is prohibited by law. No part of the software or documentation may be reproduced, transmitted, transcribed, stored in a retrieval system, or translated into any language or computer language, in any form or by any means, without prior written permission of Cambium Networks.

**License Agreements**

The software described in this document is the property of Cambium Networks and its licensors. It is furnished by express license agreement only and may be used only in accordance with the terms of such an agreement.

**High Risk Materials**

Cambium and its supplier(s) specifically disclaim any express or implied warranty of fitness for any high risk activities or uses of its products including, but not limited to, the operation of nuclear facilities, aircraft navigation or aircraft communication systems, air traffic control, life support, or weapons systems (“High Risk Use”). Any High Risk is unauthorized, is made at your own risk and you shall be responsible for any and all losses, damage or claims arising out of any High Risk Use.



## Notices

### About this Quick Start Guide

This Quick Start Guide describes how to install the site equipment for PTP 670 Series links. Users of this guide must follow good practice for outdoor radio installations.

In more advanced configurations, there may be one or two additional Ethernet interfaces connected to the ODU: one to the SFP port (copper or optical) and one to the AUX port. For details of these configurations, refer to the PTP 670 Series User Guide.

This Quick Start Guide describes how to deploy PTP 670 in the following countries:

- Ireland
- Norway
- United Kingdom (UK)

PTP 670 Quick Start Guides are available for other EU member states. Please visit:

<http://www.cambiumnetworks.com/guides>

### Intended use

The Cambium Networks PTP 670 series of radio products support data transmission over Point to Point (PTP) microwave links. This radio equipment is intended for professional applications for fixed outdoor installations only. These radios are available with an integrated antenna or as a unit for connection to an external antenna.

## Operation in the EU

### Frequency Bands, Maximum Operating Power, Safe Distance

The PTP 670 series products operate in the following frequency bands up to the maximum power shown:

Operating Frequency Band	EU Standard	Maximum Power Limit (EIRP)	Permitted Usage	Minimum Safe Distance
4940 - 4990 MHz	EN 302 625	8 watts/39 dBm	Norway: Broadband Disaster Relief	0 cm
5150 - 5250 MHz	EN 302 625	8 watts/39 dBm	Norway: Broadband Disaster Relief	0 cm
5470 - 5600 MHz 5650 - 5725 MHz	EN 301 893	1 watt/30 dBm	UK, Ireland, Norway: Unlicensed.	0 cm
5725 - 5875 MHz	EN 302 502	2 watts/33 dBm	Ireland: light licensing applies. Obtain a license from your government web-site.	0 cm
5725 - 5850 MHz	EN 302 502	4 watts/36 dBm	UK: light licensing applies. Obtain a license from your government web-site.	0 cm
5725 - 5795 MHz, 5815 - 5850 MHz	NCOM Reg. 628 EN 302 502	200 watts/53 dBm	Norway: Unlicensed	1.1 m

### Restrictions and requirements for authorization for use

This equipment is for outdoor use only.

The Cambium PTP 670 series of products can be configured to operate in either licensed or unlicensed frequency bands subject to frequency planning within individual countries. Operators and end users must ensure

that the equipment is installed and operated in accordance with the regulations applicable to the country of operation and obtain any necessary licenses or permits.

## Antennas for connectorized units

PTP 670 Connectorised ODUs are designed to connect to a dual polarized antenna, using vertical and horizontal polarization. The radios have been tested for EU regulatory compliance using the antenna types listed below. The maximum gain of each antenna type is shown. Antennas of equivalent gain or lower and of the same antenna type may be used. Do not use an antenna with higher gain. To reduce potential radio interference to other users, the antenna type and its gain must be so chosen that the equivalent isotropic radiated power (EIRP) is not more than that necessary for successful communication.

Antenna Type	Manufacturer's Antenna Gain (dBi)		
	4.9 GHz Band, 5.1 GHz Band	5.4 GHz Band	5.8 GHz Band
6 foot (1.8 m) Parabolic Dish	36.0	Not Supported	38.1
4 foot (1.2 m) Parabolic Dish	32.6	34.9	35.3
Flat Plate	23.0	23.0	23.0
Sectorised	17.0	17.0	17.0
Omnidirectional	13.0	13.0	13.0

## Recommended parabolic dish antennas

The following parabolic dish antennas are suitable for use with PTP 670 Connectorized ODUs, subject to the maximum antenna gain shown above.

Cambium part number	Description
RDH4503B	5.25-5.85GHz 2-ft (0.6m), 29.0 dBi, Dual-polarization, H-Pol & V-Pol, with fine adjustments
RDH4504B	5.25-5.85GHz 3-ft (0.9m), 32.5 dBi, Dual-polarization, H-Pol & V-Pol
RDH4505B	5.25-5.85GHz 4-ft (1.2m), 34.9 dBi, Dual-polarization, H-Pol & V-Pol
RDH4506B	5.25-5.85GHz 6-ft (1.8m), 37.9 dBi, Dual-polarization, H-Pol & V-Pol
RDH4508B	5.25-5.85GHz 2-ft (0.6m), 28.8 dBi, High Performance Dual-polarization
RDH4509B	5.25-5.85GHz 3-ft (0.9m), 32.3 dBi, High Performance Dual-polarization
RDH4510B	5.25-5.85GHz 4-ft (1.2m), 34.7 dBi, High Performance Dual-polarization
RDH4511B	5.25-5.85GHz 6-ft (1.8m), 37.7 dBi, High Performance Dual-polarization

## Configuration of the ODU

Please observe the following important instructions during installation. This will set the equipment in compliance with national regulatory regulations.

- Ensure that the ODU has the latest firmware version installed. The firmware is available from the Cambium Support Centre web site, see link below.
- During equipment set-up, verify that the ODU is the EU regional variant. Use the Cambium Support Center to generate a country-specific License Key for the country where the product is being operated. Install the License Key in the ODU. The License Key will unlock additional regulatory bands that are allowed in the country of operation.
- For connectorized units, enter the antenna gain and cable loss into the Antenna Gain and Cable Loss attributes on the System Configuration page of the web-based interface.

## Simplified EU Declaration of Conformity

Hereby, the manufacturer Cambium Networks Ltd, declares that the radio equipment types 5 GHz PTP 670 Connectorised ODU and 5 GHz PTP 670 Integrated ODU are in compliance with Directive 2014/53/EU. The full text of the EU declaration of conformity is available at:

<http://www.cambiumnetworks.com/support/compliance/>

## Professional installation

Installation and operation of this product is complex. Please follow the instructions in this leaflet. Ensure that operation complies with the regulations of the country where the product is installed. Ensure that installers have the appropriate skills, knowledge and experience to perform the installation task including:

- Familiarity with current applicable national regulations including radio regulations, electrical installation regulations, surge protection regulations and 'working at heights' regulations;
- Installation in accordance with Cambium Networks instructions;
- Confirming that the equipment settings are compliant with national or regional regulations.

## User documentation

For full PTP 670 installation planning instructions and a list of components, download the *PTP 670 Series User Guide* from:

<http://support.cambiumnetworks.com/files/ptp670>

## Waste Electrical and Electronic Equipment (WEEE)



Please do not dispose of Electronic and Electric Equipment or Electronic and Electric Accessories with your household waste. In some countries or regions, collection systems have been set up to handle waste of electrical and electronic equipment. In European Union countries, please contact your local equipment supplier representative or Cambium Networks Support Centre for information about the waste collection system in your country.

For instructions on waste disposal of used products, refer to:

<http://www.cambiumnetworks.com/support/weee-compliance>

## Safety



Warning To prevent loss of life or physical injury, observe the safety guidelines below. In no event shall Cambium Networks be liable for any injury or damage caused during the installation of the Cambium PTP 670. Ensure that only qualified personnel install a PTP 670 link.

### Power lines

Exercise extreme care when working near power lines.

### Working at heights

Exercise extreme care when working at heights.

### PSU

Always use the AC Power Injector or AC+DC Enhanced Power Injector to power the ODU. Failure to use a Cambium supplied PSU could result in equipment damage and will invalidate the safety certification and may cause a safety hazard.

## Grounding and protective earth

The Outdoor Unit (ODU) must be properly grounded to protect against lightning. It is the user's responsibility to install the equipment in accordance with national regulations. In the USA follow the requirements of the National Electrical code NFPA 70-2005 and 780-2004 *Installation of Lightning Protection Systems*. In Canada, follow Section 54 of the *Canadian Electrical Code*. These codes describe correct installation procedures for grounding the outdoor unit, mast, lead in wire and discharge unit, size of grounding conductors and connection requirements for grounding electrodes. Other regulations may apply in different countries and therefore it is recommended that installation of the outdoor unit be contracted to a professional installer.

## DC supply

To power the ODU from a DC supply, use the AC+DC enhanced power injector (PSU) (Cambium part number C000065L002C). Ensure that the DC power supply meets the requirements specified in the *PTP 670 Series User Guide*.

## Powering down before servicing

Before servicing PTP 670 equipment, always switch off the power supply and unplug it from the PSU. Do not disconnect the RJ45 drop cable connectors from the ODU while the PSU is connected to the power supply. Always remove the AC or DC input power from the PSU.

## Primary disconnect device

The main power supply is the primary disconnect device. The AC-DC enhanced power injector is fused on the DC input. Some installations will also require an additional circuit breaker or isolation switch to be fitted in the DC supply.

## External cables

Safety may be compromised if outdoor rated cables are not used for connections that will be exposed to the outdoor environment. For outdoor copper Cat5e Ethernet interfaces, always use Cat5e cable that is gel-filled and shielded with copper-plated steel. Alternative types of drop cable are not supported by Cambium Networks for use with PTP 670.

Always use a qualified electrician to install AC cabling.

## Drop cable tester

A drop cable tester must NEVER be used at the ODU end connected to the power supply from the PSU. It must only be used at the bottom of the mast with a multimeter. This is because the PSU voltage exceeds the limit allowed in some countries for safe handling in wet conditions and therefore may create a safety hazard.

## RF exposure near the antenna

Strong radio frequency (RF) fields will be present close to the antenna when the transmitter is on. Always turn off the power to the ODU before undertaking maintenance activities in front of the antenna.

## Minimum separation distances

Ensure that personnel are not exposed to unsafe levels of RF energy. The units start to radiate RF energy as soon as they are powered up. Never work in front of the antenna when the ODU is powered. Install the ODUs so as to provide and maintain the minimum separation distances from all persons.

## Grounding and lightning protection requirements

Ensure that the installation meets the requirements defined in the *PTP 670 Series User Guide*.

## Grounding cable installation methods

To provide effective protection against lightning induced surges, observe these requirements:

- Grounding conductor runs must be as short, straight and smooth as possible, with bends and curves kept to a minimum.
- Grounding cables must not be installed with drip loops.
- All bends must have a minimum radius of 203 mm (8 in) and a minimum angle of 90°. A diagonal run is preferable to a bend, even though it does not follow the contour or run parallel to the supporting structure.
- All bends, curves and connections must be routed towards the grounding electrode system, ground rod, or ground bar.
- Grounding conductors must be securely fastened.
- Braided grounding conductors must not be used.
- Approved bonding techniques must be used for the connection of dissimilar metals.

### Siting ODUs and antennas

ODUs and external antennas are not designed to survive direct lightning strike. For this reason they must be installed in Zone B as defined in *PTP 670 Series User Guide*. Mounting in Zone A may put equipment, structures and life at risk.

### Wind survival speeds

Ensure that the ODU and the structure to which it is mounted can withstand the maximum wind speeds at a proposed site.

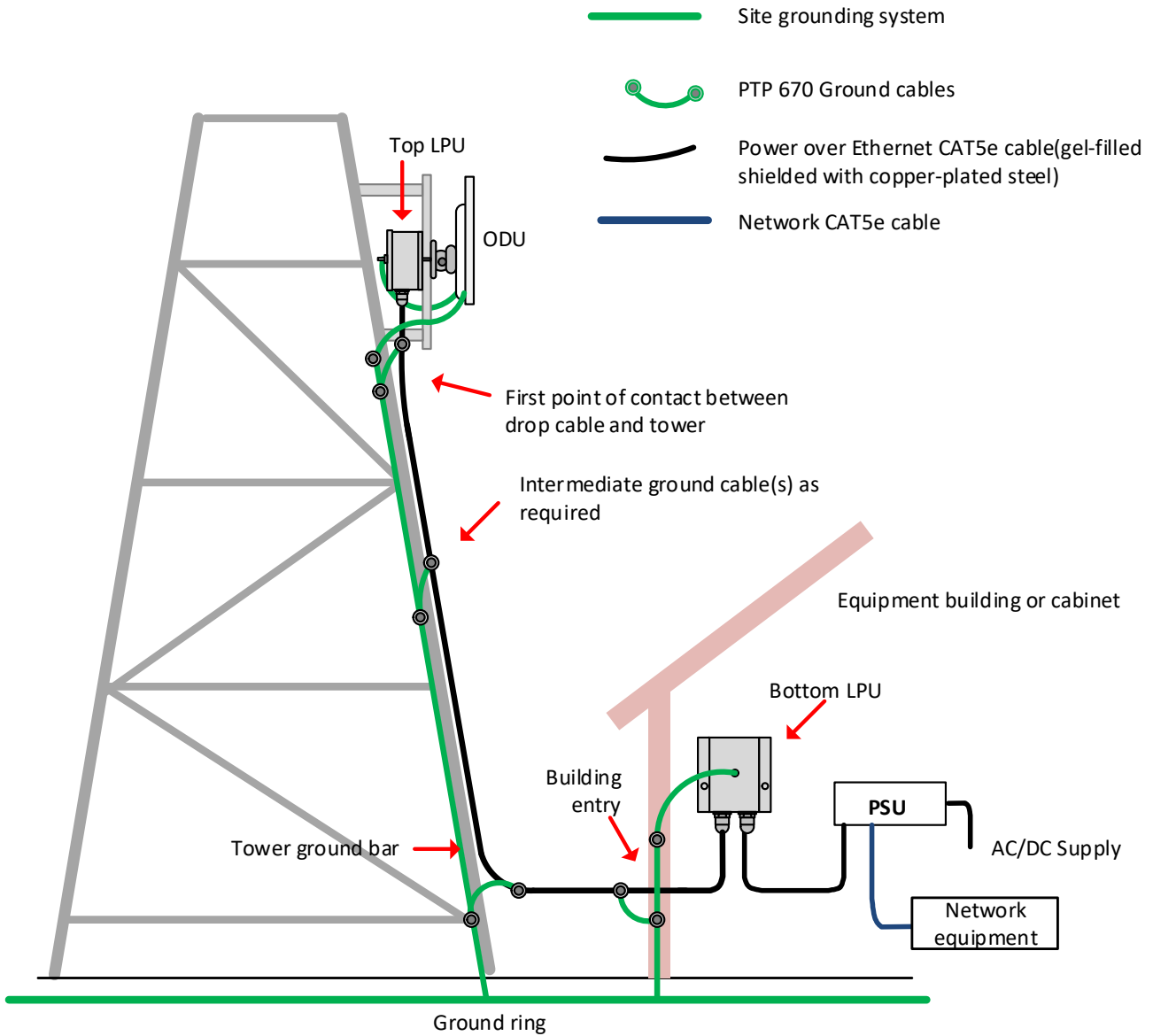
### Surface temperature

The ODU enclosure may be hot to the touch when in operation.

## Equipment manufacturer

Cambium Networks Ltd, Unit B2 Linhay Business Park, Eastern Road, Ashburton, Devon, TQ13 7UP, United Kingdom.

## Typical installations



A PTP 670 site typically consists of a high supporting structure such as a mast, tower or building for the outdoor equipment (ODU and optional external antenna); and an equipment building or moisture-proof enclosure for the indoor equipment (PSU), as shown here in a typical mast or tower installation:



Note These instructions assume that LPUs are being installed from the LPU and grounding kit (Cambium part number C000065L007A). If the installation does not require LPUs, adapt these instructions as appropriate.

If LPUs are being installed, only use the five black-capped EMC cable glands supplied in the LPU and grounding kit. The silver-capped cable glands supplied in the ODU kits must only be used in PTP 670 installations which do not require LPUs.

## ODU variants and mounting bracket options

### ODU variants

The PTP 670 ODU is supplied in two platform variants.

The PTP 670 Integrated ODU is attached to a 23 dBi flat plate antenna and is intended for medium to long-range difficult links and traditional backhaul requirements where high capacity and high link budget are required. The integrated antenna offers a convenient and easily-deployed solution where the additional gain of external antennas is not needed.

#### Integrated ODU (4.8 to 5.9 GHz)



#### Integrated ODU (4.9 to 6.05 GHz)



The PTP 670 Connectorized ODU is intended to work with separately mounted external antennas. External antennas generally have higher gains than the integrated antennas, allowing the PTP 670 to cope with more difficult radio conditions.



### Mounting bracket options

The PTP 670 series supports three mounting bracket options. Select the optimum mounting bracket arrangement based on the pole diameter and the ODU variant:

Bracket	Pole diameter	ODU variants	Bracket part number
Tilt Bracket Assembly	40 mm to 77 mm (1.6 inches to 3.0 inches)	PTP 670 Integrated PTP 670 Connectorized	N000045L002A
Tilt Bracket Assembly with compression straps	90 mm to 230 mm (3.6 inches to 9.0 inches)	PTP 670 Integrated PTP 670 Connectorized	N000045L002A + third-party band clamps
Mounting Bracket (Integrated)	40 mm to 82 mm (1.6 inches to 3.2 inches)	PTP 670 Integrated	N000065L031A



Note The Tilt Bracket Assembly is included as part of the PTP 670 Integrated and Connectorized Kits. If required, order the Mounting Bracket (Integrated) separately.



Note The Tilt Bracket Assembly allows for elevation angle adjustment for the Integrated ODU between  $-17^{\circ}$  and  $+26^{\circ}$ . The Mounting Bracket (Integrated) allows for elevation angle adjustment between  $-26^{\circ}$  and  $+41^{\circ}$ .



## Installing the ODU and top LPU

### Attach ground cables to the ODU

- 1 Fasten one ground cable to each ODU grounding point using the M6 (small) lugs: one is for the top LPU (M6 lug at other end) and the other is for the tower or building (M10 lug at other end). It does not matter which cable goes on which ODU grounding point.
- 2 Tighten both ODU grounding bolts to a torque of 5.0 Nm (3.7 lb ft).



### Mount the ODU on the mast

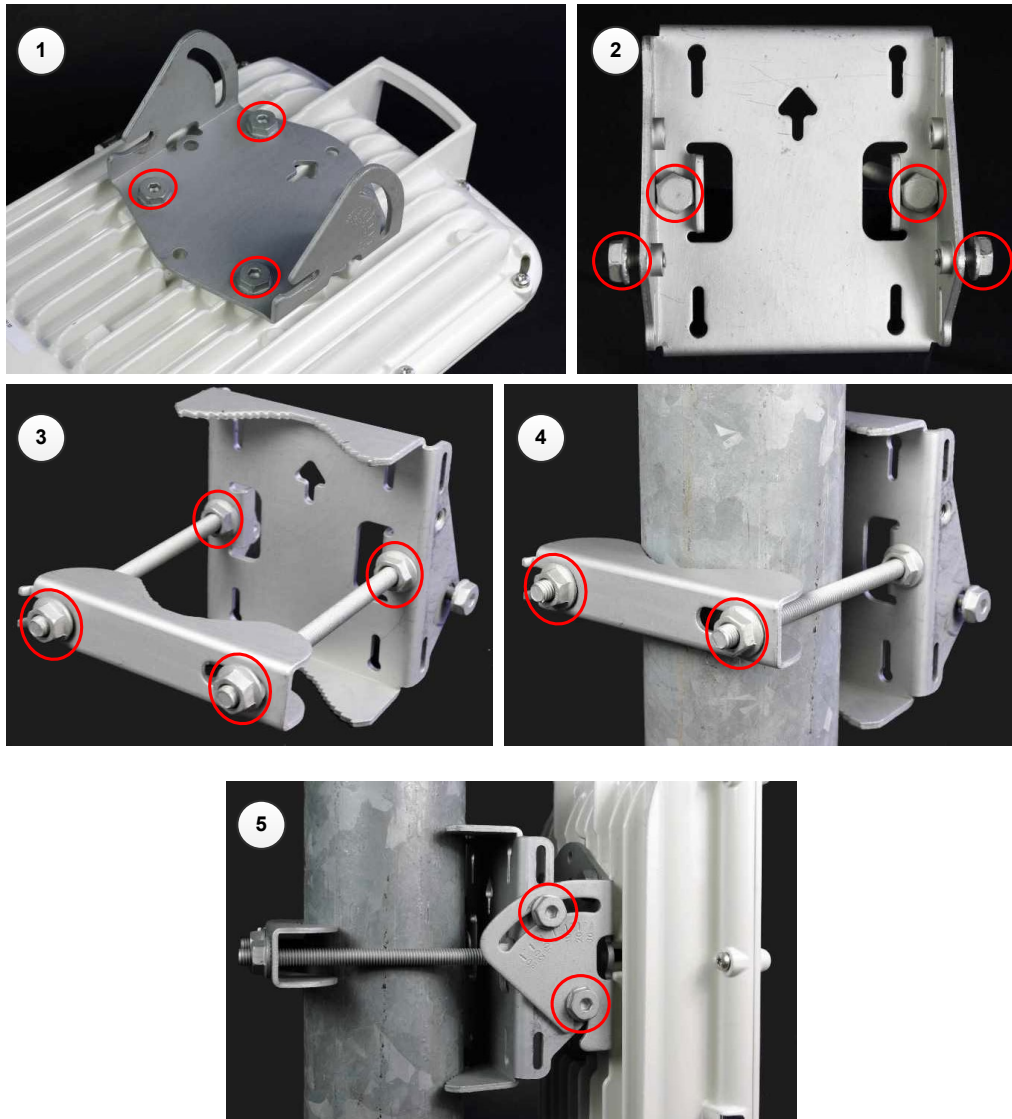
Select the most appropriate bracket mounting arrangement from the options listed in [Mounting bracket options](#) on page 16. Refer to individual procedures below for each of the options:

- [Tilt Bracket Assembly](#) on page 17
- [Tilt Bracket Assembly with band clamps](#) on page 18
- [Mounting bracket \(Integrated\)](#) on page 19

The mounting procedures can be adapted to attach the ODU to a suitable horizontal pole, but the adjustment of azimuth angle is necessarily limited compared with an installation on a vertical pole.

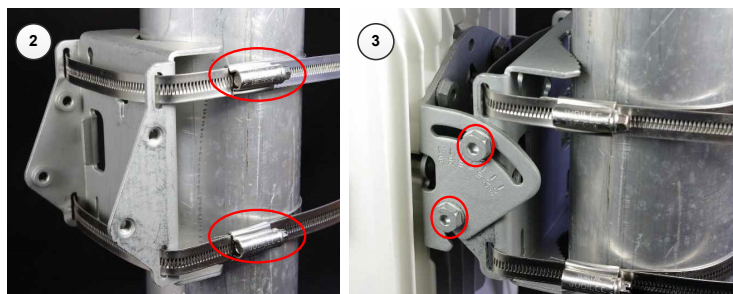
#### Tilt Bracket Assembly

- 1 Fix the mounting plate of the Tilt Bracket to the back of the ODU using four of the short bolts, ensuring that the arrow in the plate points towards the top of the ODU. Tighten the four bolts to a torque setting of 5.0 Nm (3.7 lb ft) using a 13 mm spanner or socket.
- 2 Fit the two long bolts through the bracket body so that the bolt heads engage in the slots as shown. Fit two of the short bolts into the side of the bracket body but do not tighten.
- 3 Thread two of the nuts to the long bolts and tighten against the bracket body using a 13 mm spanner. Fit the bracket strap and thread the remaining nuts onto the long bolts.
- 4 Fix the assembled bracket body to the pole, adjust the azimuth angle, and tighten the nuts to a torque setting of 10.0 Nm (7.4 lb ft) using a 13 mm spanner, ensuring that the arrow in the body is pointing upwards.
- 5 Hoist the ODU to the mounting position. Fit the mounting plate to the bracket body by positioning the open-ended slots over the short bolts. Insert the remaining short bolts through the longer curved slots into the threaded holes in the bracket body. Adjust the elevation angle, and tighten the bolts to a torque setting of 8.0 Nm (5.9 lb ft) using a 13 mm spanner or socket.



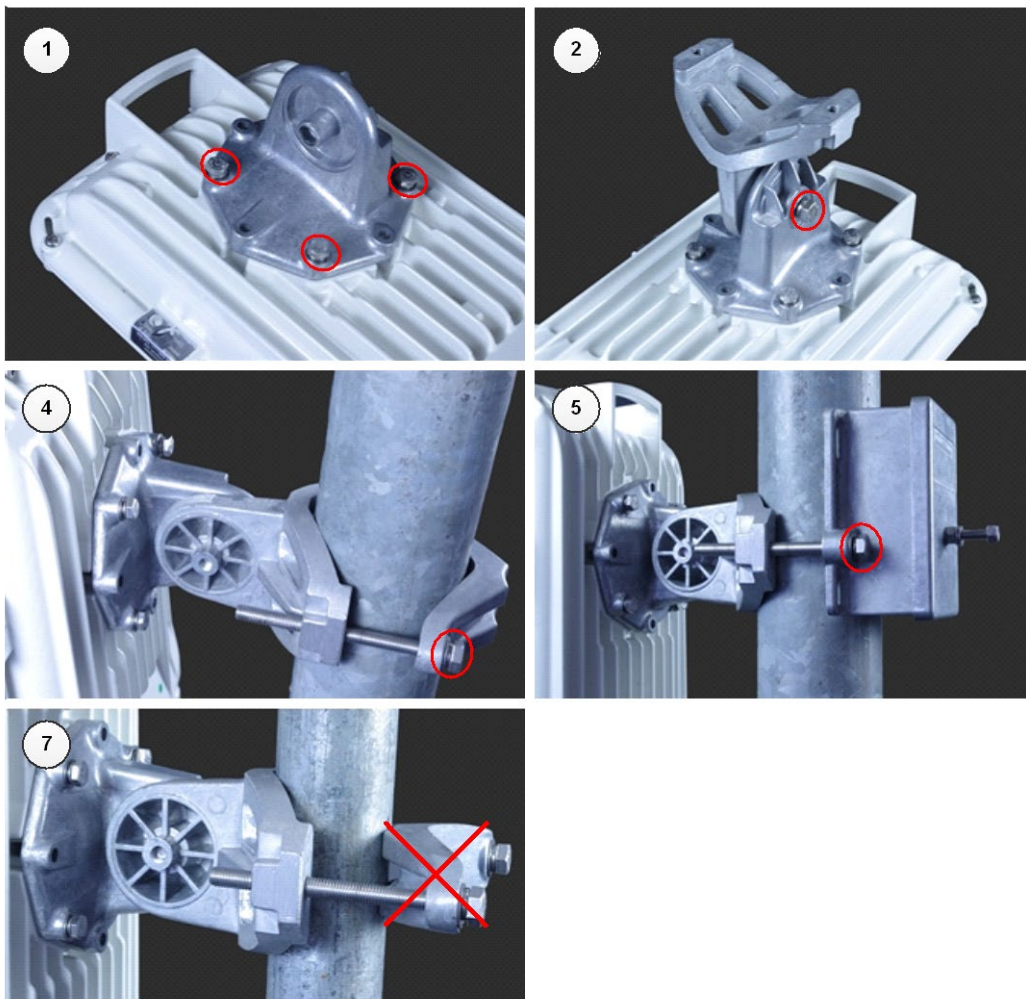
### Tilt Bracket Assembly with band clamps

- 1** Follow Step 1 for the Tilt Bracket Assembly procedure above.
- 2** Feed the band clamps (not supplied by Cambium) through the slots in the bracket body. Secure the bracket body to the pole using band clamps, ensuring that the arrow in the body is pointing upwards. Adjust the azimuth angle, and tighten the band clamps to a torque setting of 6.0 Nm (4.5 lb ft).
- 3** Hoist the ODU to the mounting position. Fix the mounting plate to the bracket body with four of the short bolts, using a 13 mm spanner or socket. Adjust the elevation angle, and tighten the bolts to a torque setting of 8.0 Nm (5.9 lb ft).



### Mounting bracket (Integrated)

- 1 Fix the mounting plate to the back of the ODU using the four bolts, and spring and plain washers provided. Ensure that the spring washer is between the bolt head and the plain washer. Tighten the bolts to a torque setting of 5.0 Nm (3.7 lb ft).
- 2 Attach the bracket body to the mounting plate using the M8 bolt, spring and plain washers. Ensure that the spring washer is between the bolt head and the plain washer
- 3 Hoist the ODU to the mounting position.
- 4 Attach the bracket body to the pole using the bracket clamp, M8 bolts, and spring and plain washers. Ensure that the spring washer is between the bolt head and the plain washer. For back-to-back mounting, use the LPU in place of the clamp.
- 5 Adjust the elevation and azimuth to achieve visual alignment. Tighten all three bracket bolts to a torque of 8.0 Nm (6.0 lb ft).



Attention Do not reverse the bracket clamp, as shown in 7 above as this arrangement may lead to failure of the assembly. Do not over-tighten the bolts as this may lead to failure of the assembly.

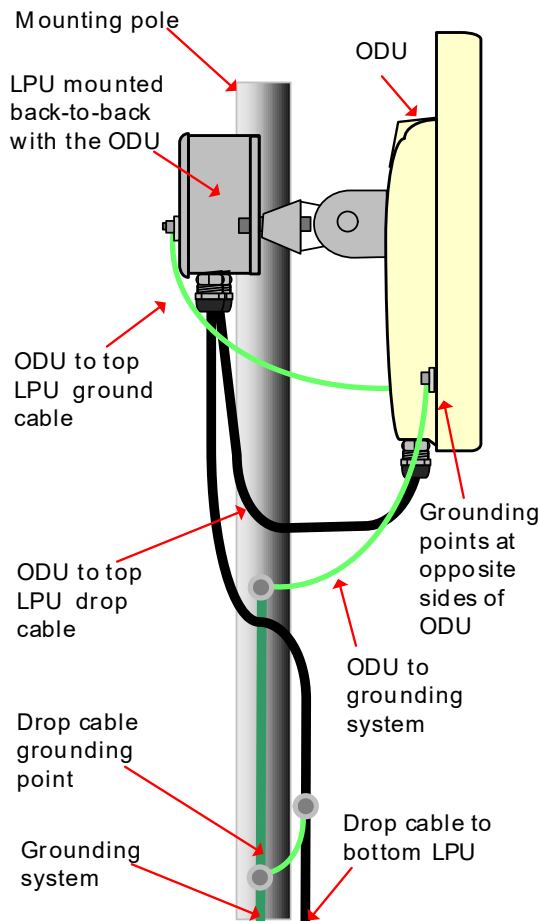
## Mount the top LPU

For separate LPU mounting, use the U bolt bracket from the LPU kit to mount the top LPU on the pole below the ODU. Tighten to a torque setting of 7.0 Nm (5.2 lb ft):

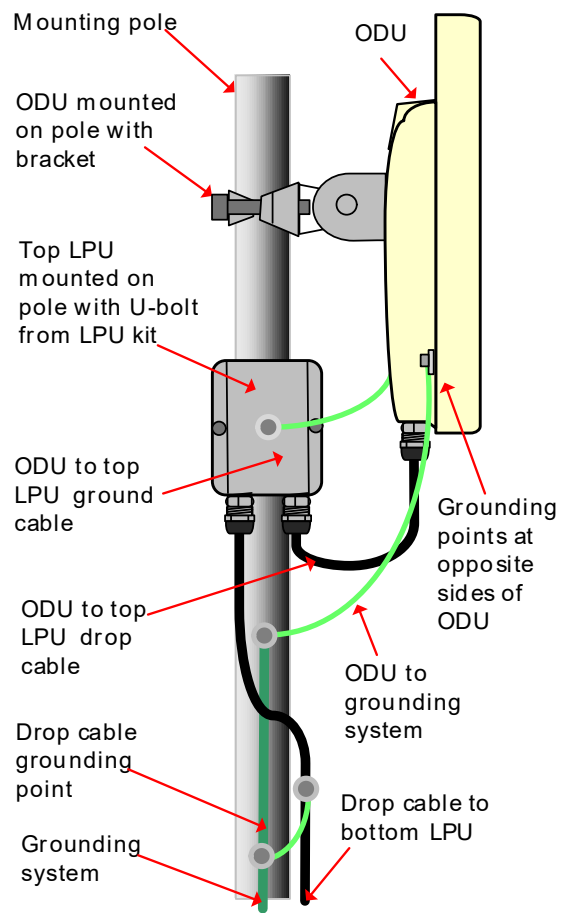


## Interconnect and ground the ODU and top LPU

Option 1: back-to-back



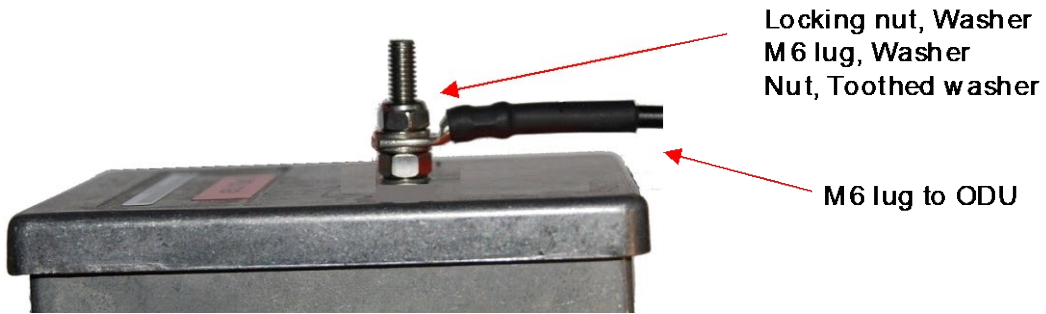
Option 2: separate





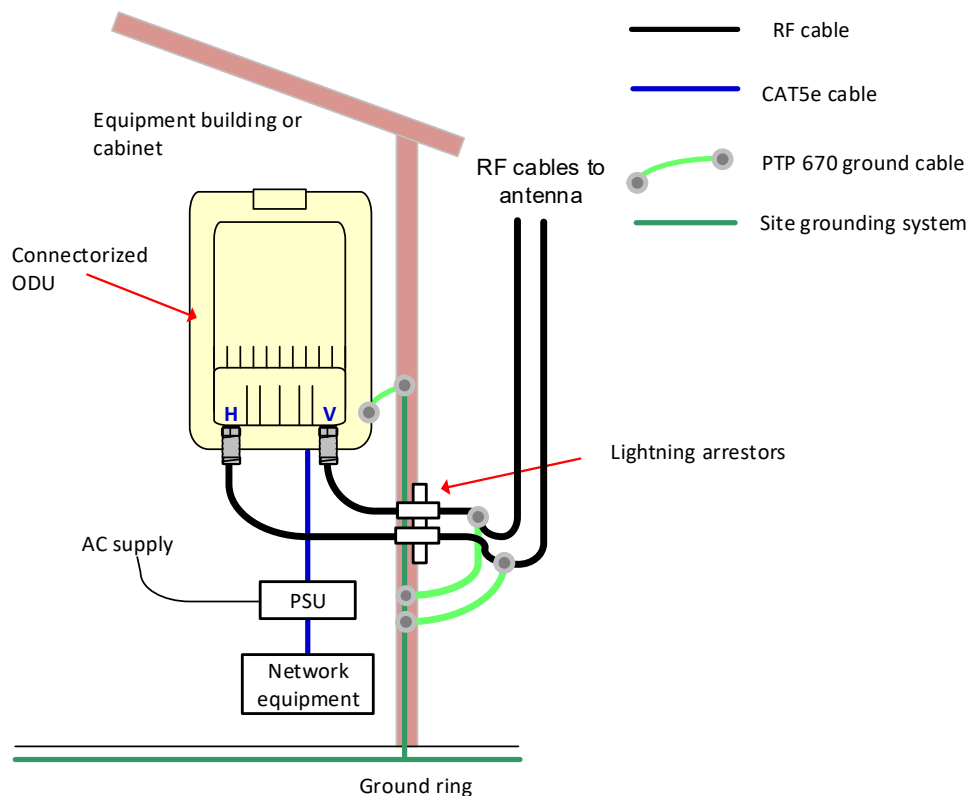
Attention Do not attach grounding cables to the ODU mounting bracket bolts, as this arrangement will not provide full protection.

- 1 Fasten the ODU grounding cable to the top LPU using the M6 (small) lug. Tighten both nuts to a torque of 5 Nm (3.7 lb ft):

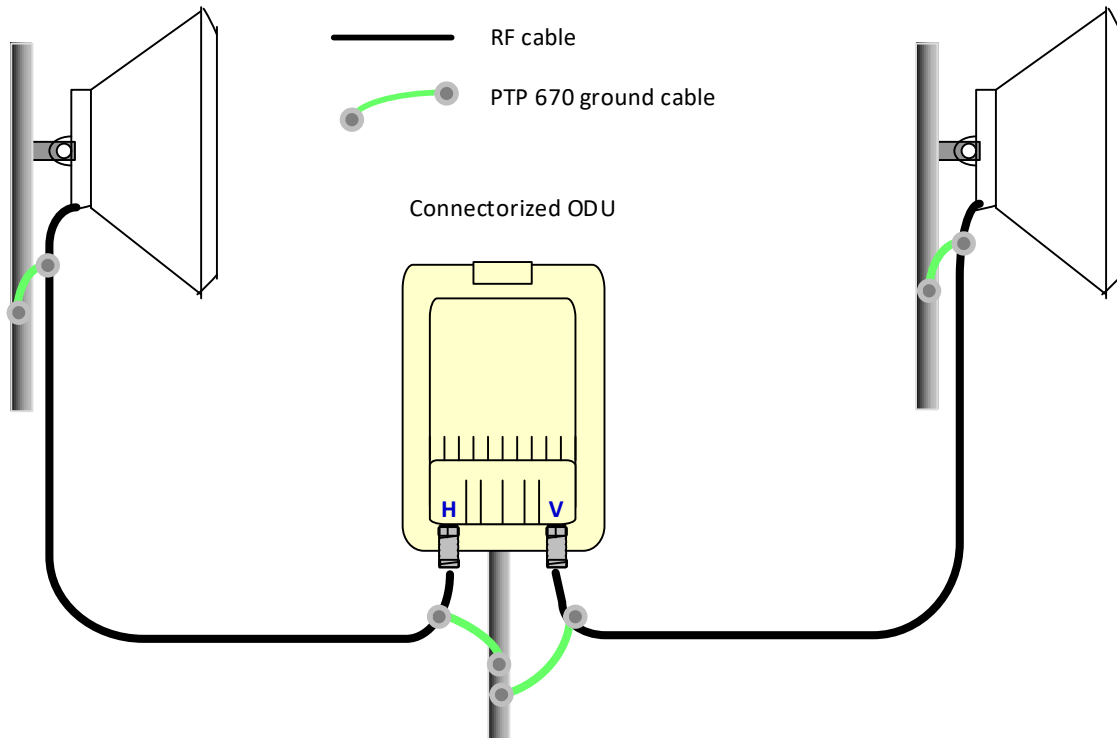


- 2 Select a tower or building grounding point within 0.3 meters (1 ft) of the ODU bracket. Remove paint from the surface and apply anti-oxidant compound. Fasten the ODU grounding cable to this point using the M10 (large) lug.
- 3 If local regulations mandate the independent grounding of all devices, add a third ground cable to connect the top LPU directly to the grounding system.

## Install external antennas for a Connectorized ODU



- 1 Mount the antenna(s) according to manufacturer’s instructions. When using separate antennas to achieve spatial diversity, mount one with Horizontal polarization and the other with Vertical polarization.
- 2 Connect the ODU V and H interfaces to the antenna(s) with RF cable of type CNT 400 (Cambium part numbers 30010194001 and 30010195001) and N type connectors (Cambium part number 09010091001). Tighten the N type connectors to a torque setting of 1.7 Nm (1.3 lb ft) using 24 mm (0.9 in) wrench/spanner.
- 3 If the ODU is mounted indoors, install lightning arrestors at the building entry point:
- 4 Form drip loops near the lower ends of the antenna cables. These ensure that water is not channeled towards the connectors.
- 5 If the ODU is mounted outdoors, weatherproof the N type connectors (when antenna alignment is complete) using PVC tape and self-amalgamating rubber tape.
- 6 Weatherproof the antenna connectors in the same way (unless the antenna manufacturer specifies a different method).
- 7 Ground the antenna cables to the supporting structure within 0.3 meters (1 foot) of the ODU and antennas using the Cambium grounding kit (part number 01010419001):



- 8 Fix the antenna cables to the supporting structure using site approved methods. Ensure that no undue strain is placed on the ODU or antenna connectors. Ensure that the cables do not flap in the wind, as flapping cables are prone to damage and induce unwanted vibrations in the supporting structure.

## Installing the copper Cat5e Ethernet interface

To install the copper Cat5e Ethernet interface, use the following procedures:

- [Install the ODU to top LPU drop cable](#) on page 23
- [Install the main drop cable](#) on page 25
- [Install the bottom LPU to PSU drop cable](#) on page 27
- [Test resistance in the drop cable](#) on page 28



Attention To avoid damage to the installation, do not connect or disconnect the drop cable when power is applied to the PSU or network terminating equipment.



Attention Do not connect the SFP or Aux drop cables to the PSU, as this may damage equipment.



Attention Always use Cat5e cable that is gel-filled and shielded with copper plated steel. Alternative types of Cat5e cable are not supported by Cambium Networks. Cambium Networks supply this cable (Cambium part numbers WB3175 and WB3176), RJ45 connectors (Cambium part number WB3177) and a crimp tool (Cambium part number WB3211). The LPU and grounding kit contains a 0.6 meters (2 foot) length of this cable.

### Install the ODU to top LPU drop cable

#### Fit glands to the ODU to top LPU drop cable

Fit EMC strain relief cable glands (with black caps) to both ends of the 0.6 meters (2 foot) length of pre terminated cable. These parts are supplied in the LPU and grounding kit.

- 1 Disassemble the gland and thread each part onto the cable (the rubber bung is split). Assemble the spring clip and the rubber bung:



- 2 Fit the parts into the body and lightly screw on the gland nut using 24 mm (0.9 in) wrench/spanner (do not tighten it):



**Connect the drop cable to the ODU (PSU port) and LPU**

- 1 (a) Plug the RJ45 connector into the socket in the unit, ensuring that it snaps home.  
(b) Fit the gland body to the RJ45 port and tighten it to a torque of 5.5 Nm (4.1 lb ft):

(a)



(b)



- 2 (a) Fit the gland nut and tighten until the rubber seal closes on the cable.  
(b) Do not over-tighten the gland nut, as there is a risk of damage to its internal components:

(a)



(b)

Correct



Incorrect





## Disconnect the drop cable from the LPU or ODU

Use this procedure if it is necessary to remove an EMC strain relief cable gland and RJ45 connector from the ODU (as illustrated) or LPU.

- 1 (a) Remove the gland nut. Wiggle the drop cable to release the tension of the gland body. When the tension in the gland body is released, a gap opens at the point show. Unscrew the gland body.
- (b) Use a small screwdriver to press the RJ45 locking tab, then remove the RJ45 connector.



## Install the main drop cable



**Warning** The metal screen of the drop cable is very sharp and may cause personal injury.

- ALWAYS wear cut-resistant gloves (check the label to ensure they are cut resistant).
- ALWAYS wear protective eyewear.
- ALWAYS use a rotary blade tool to strip the cable (DO NOT use a bladed knife).



**Warning** Failure to obey the following precautions may result in injury or death:

- Use the proper hoisting grip for the cable being installed. If the wrong hoisting grip is used, slippage or insufficient gripping strength will result.
- Do not reuse hoisting grips. Used grips may have lost elasticity, stretched, or become weakened. Reusing a grip can cause the cable to slip, break, or fall.
- The minimum requirement is one hoisting grip for each 60 m (197 ft) of cable.

## Cut to length and fit hoisting grips

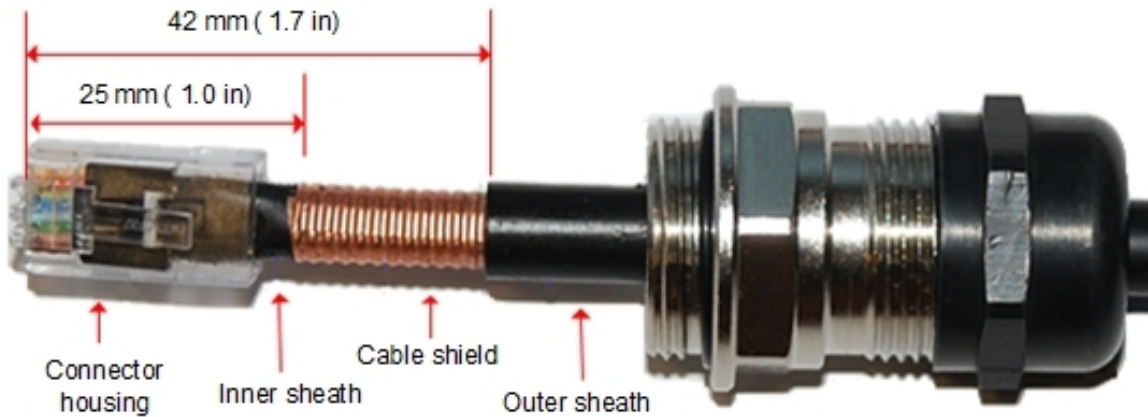
- 1 Cut the main drop cable to length from the top LPU to the bottom LPU.
- 2 Slide one or more hoisting grips onto the top end of the drop cable.
- 3 Secure the hoisting grip to the cable using a special tool, as recommended by the manufacturer.

## Terminate with RJ45 connectors and glands



Attention Check that the crimp tool matches the RJ45 connector, otherwise the cable or connector may be damaged.

- 1 Thread the cable gland (with black cap) onto the main drop cable.
- 2 Strip the cable outer sheath and fit the RJ45 connector load bar.
- 3 Fit the RJ45 connector housing as shown. To ensure there is effective strain relief, locate the cable inner sheath under the connector housing tang. Do not tighten the gland nut:



## Hoist and fix the main drop cable



Warning Failure to obey the following precautions may result in injury or death:

- Use the hoisting grip to hoist one cable only. Attempting to hoist more than one cable may cause the hoisting grip to break or the cables to fall.
- Do not use the hoisting grip for lowering cable unless the clamp is securely in place.
- Maintain tension on the hoisting grip during hoisting. Loss of tension can cause dangerous movement of the cable and result in injury or death to personnel.
- Do not release tension on the grip until after the grip handle has been fastened to the supporting structure.
- Do not apply any strain to the RJ45 connectors.



Attention Do not lay the drop cable alongside a lightning air terminal.

- 1 Hoist the top end of the main drop cable up to the top LPU, following the hoist manufacturer's instructions. When the cable is in position, fasten the grip handle to the supporting structure and remove the hoist line.
- 2 Connect the main drop cable to the top LPU by following the procedure Connect the drop cable to the ODU (PSU port) and LPU on page 16.
- 3 Run the main drop cable to the site of the bottom LPU.
- 4 Attach the main drop cable to the supporting structure using site approved methods.

## Ground the main drop cable

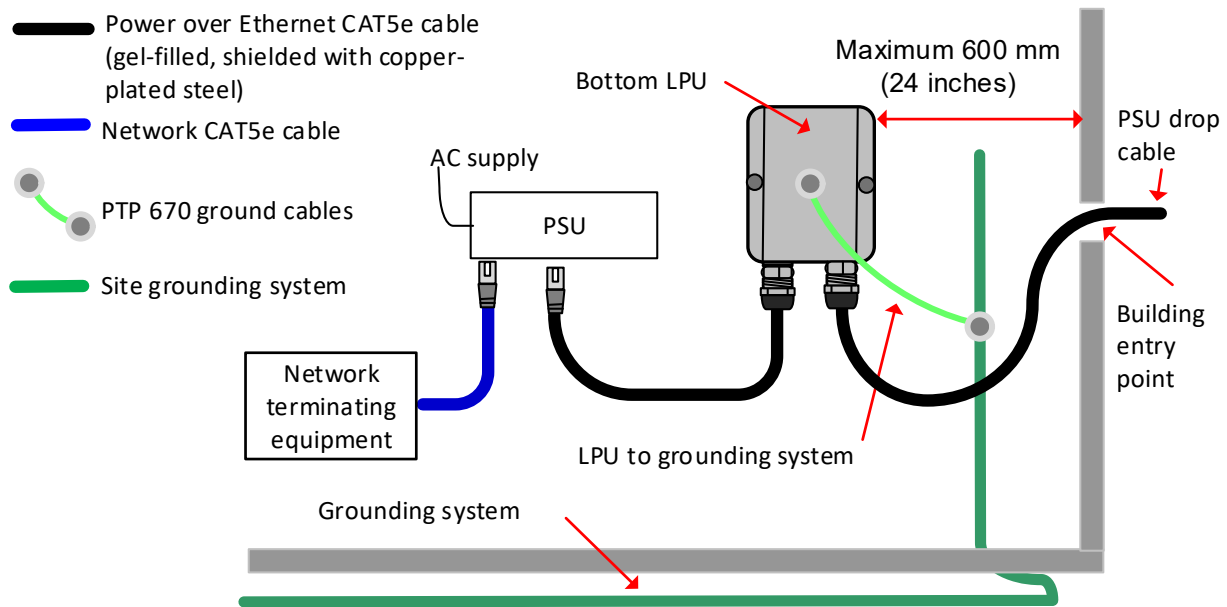
At all required grounding points, connect the screen of the main drop cable to the metal of the supporting structure using the cable grounding kit (Cambium part number 01010419001).

## Install the bottom LPU to PSU drop cable

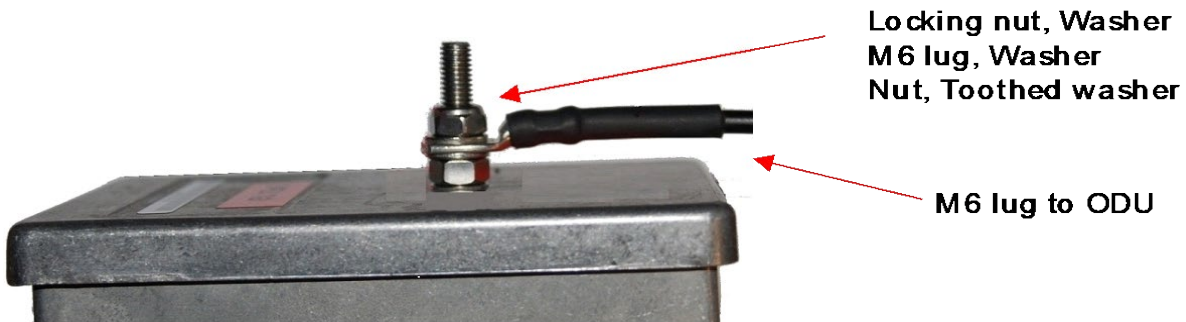
### Install the bottom LPU

Install the bottom LPU, ground it, and connect it to the main drop cable.

- 1 Select a mounting point for the bottom LPU within 0.6 meters (2 foot) of the building entry point. Mount the LPU vertically with cable glands facing downwards.



- 2 Connect the main drop cable to the bottom LPU by following the procedure [Connect the drop cable to the ODU \(PSU port\) and LPU](#) on page 24.
- 3 Fasten one ground cable to the bottom LPU using the M6 (small) lug. Tighten both nuts to a torque of 5 Nm (3.7 lb ft):



- 4 Select a building grounding point near the LPU bracket. Remove paint from the surface and apply anti-oxidant compound. Fasten the LPU ground cable using the M10 (large) lug.

## Install the LPU to PSU drop cable

Use this procedure to terminate the bottom LPU to PSU drop cable with RJ45 connectors at both ends, and with a cable gland at the LPU end.



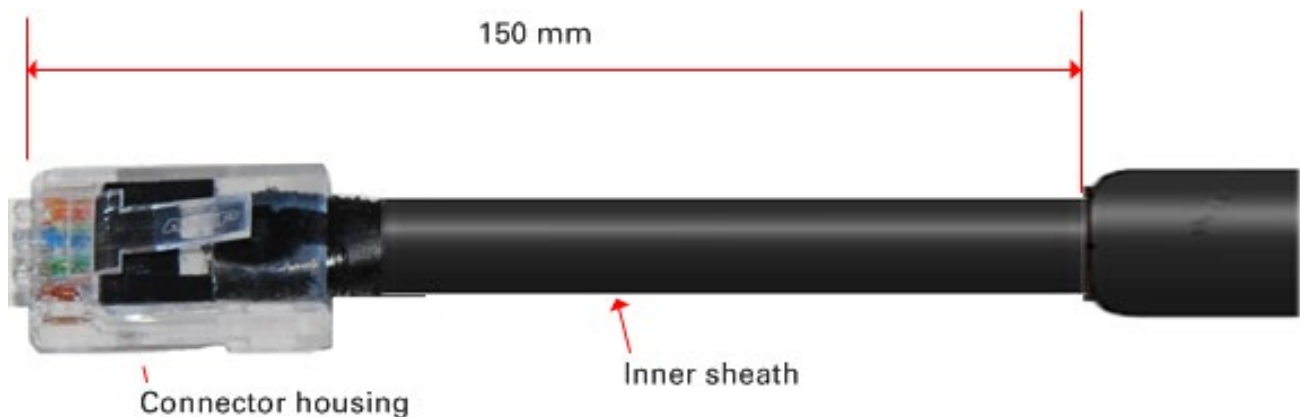
**Warning** The metal screen of the drop cable is very sharp and may cause personal injury.

- ALWAYS wear cut-resistant gloves (check the label to ensure they are cut resistant).
- ALWAYS wear protective eyewear.
- ALWAYS use a rotary blade tool to strip the cable, not a bladed knife.



**Attention** Check that the crimp tool matches the RJ45 connector, otherwise the cable or connector may be damaged.

- 1 Cut the drop cable to the length required from bottom LPU to PSU.
- 2 At the LPU end only:
  - Fit one cable gland and one RJ45 connector by following the procedure [Terminate with RJ45 connectors and glands](#) on page 26.
  - Connect this cable and gland to the bottom LPU by following the procedure [Connect the drop cable to the ODU \(PSU port\) and LPU](#) on page 24.
- 3 **At the PSU end only:** Do not fit a cable gland. Strip the cable outer sheath and fit the RJ45 connector load bar. Fit the RJ45 connector housing. To ensure there is effective strain relief, locate the cable inner sheath under the connector housing tang:



## Test resistance in the drop cable

Connect the bottom end of the copper Cat5e drop cable to a suitable drop cable tester and test that the resistances between pins are within the correct limits, as specified in the table below. If any of the tests fail, examine the drop cable for wiring faults.

Measure the resistance between...	Enter measured resistance	To pass test, resistance must be...	Circle "Pass" or "Fail"	Additional tests and notes
Pins 1 and 2	Ohms	<20 Ohms (60 Ohms) (*1)	Pass Fail	
Pins 3 and 6	Ohms	<20 Ohms (60 Ohms) (*1)	Pass Fail	Resistances must be within 10% of each other (*2). Circle "Pass" or "Fail":
Pins 4 and 5	Ohms	<20 Ohms (60 Ohms) (*1)	Pass Fail	Pass Fail
Pins 7 and 8	Ohms	<20 Ohms (60 Ohms) (*1)	Pass Fail	
Pin 1 and screen (ODU ground)	K Ohms	>100K Ohms	Pass Fail	These limits apply regardless of cable length.
Pin 8 and screen (ODU ground)	K Ohms	>100K Ohms	Pass Fail	

(\*1) A resistance of 20 Ohms is the maximum allowed when the cable is carrying Ethernet.

A resistance of 60 Ohms is the maximum allowed when the cable is carrying only power to the ODU (when Ethernet is carried by one of the other ODU interfaces).

(\*2) Ensure that these resistances are within 10% of each other by multiplying the lowest resistance by 1.1 - if any of the other resistances are greater than this, the test has failed.

## Installing the PSU

Install one of the following types of PSU (as specified in the installation plan):

- AC Power Injector (Cambium part number N000065L001C).
- AC+DC Enhanced Power Injector (Cambium part number C000065L002C).



**Attention** As the PSU is not waterproof, locate it away from sources of moisture, either in the equipment building or in a ventilated moisture-proof enclosure. Do not locate the PSU in a position where it may exceed its temperature rating.



**Attention** Do not plug any device other than a PTP 650, PTP 670 or PTP 700 ODU into the ODU port of the PSU. Other devices may be damaged due to the non-standard techniques employed to inject DC power into the Ethernet connection between the PSU and the ODU.

Do not plug any device other than a Cambium PTP 670 PSU into the PSU port of the ODU. Plugging any other device into the PSU port of the ODU may damage the ODU and device.

## Installing the AC Power Injector

Follow this procedure to install the AC Power Injector (Cambium part number N000065L001C):

- 1 Form a drip loop on the PSU end of the LPU to PSU drop cable. The drip loop ensures that any moisture that runs down the cable cannot enter the PSU.
- 2 (a) Place the AC Power Injector on a horizontal surface. Plug the LPU to PSU drop cable into the PSU port labeled ODU.  
 (b) When the system is ready for network connection, connect the network Cat5e cable to the LAN port of the PSU:



## Installing the AC+DC Enhanced Power Injector

Follow this procedure to install the AC+DC Enhanced Power Injector (Cambium part number C000065L002C):

- 1 Mount the AC+DC Enhanced Power Injector by screwing it to a vertical or horizontal surface using the four screw holes (two holes circled):



- 2 Form a drip loop on the PSU end of the LPU to PSU drop cable. The drip loop ensures that any moisture that runs down the cable into the cabinet or enclosure cannot enter the PSU.
- 3
  - (a) Undo the retaining screw, hinge back the cover and plug the drop cable into the port.
  - (b) Close the cover and secure with the screw.
  - (c) When the system is ready for network connection, connect the network Cat5e cable to the LAN port of the PSU:

(a)



(b) and (c)



## Configuring the ODU for operation in the EU

### Generate a country-specific License Key

In the PTP 670 series, a License Key is used to activate new features, and to alter the regulatory settings of an ODU. The new License Key will include the regulatory bands allowed in the specified country of operation. Use this procedure to generate the License Key.

#### Procedure:

- 1 Navigate to the Cambium Support Center at:  
<https://support.cambiumnetworks.com/licensekeys/ptp50670>
- 2 Enter the ODU MAC Address and select the Country where the PTP link will be deployed.
- 3 Agree to the Terms and Conditions and click on Submit
- 4 Locate the ODU by MAC address and copy the generated License Key from the License Keys page
- 5 Save the License Key (for example by pasting to a text editor and saving the file) for future use

### Configure the management PC

Use this procedure to configure the local management PC to communicate with the PTP 670.

#### Procedure:

- 1 Select **Properties** for the Ethernet port. In Windows 10 this is found in **Control Panel > Network and Internet > Network and Sharing Center > Change Adapter Settings**. Right-click on the icon for the Ethernet adaptor and select **Properties**.
- 2 Select **Internet Protocol Version 4 (TCP/IPv4)**:
- 3 Click **Properties**.
- 4 Enter an IP address that is valid for the 169.254.X.X network, avoiding 169.254.0.0 and 169.254.1.1. A good example is 169.254.1.3.
- 5 Enter a subnet mask of 255.255.0.0. Leave the default gateway blank.

### Connect the ODU to the PC and powering up

Use this procedure to connect a management PC and power up the PTP 670.

#### Procedure:

- 1 Check that the ODU and PSU are correctly connected.
- 2 Connect the PC Ethernet port to the LAN port of the PSU using a standard (not crossed) Ethernet cable.
- 3 Apply mains or battery power to the PSU. The green Power LED should illuminate continuously.
- 4 After about 45 seconds, check that the orange Ethernet LED starts with 10 slow flashes.
- 5 Check that the Ethernet LED then illuminates continuously.

### Logging into the web interface

Use this procedure to log into the web interface as a system administrator.

#### Procedure:



- 1 Start the web browser from the management PC.
- 2 Type the IP address of the unit into the address bar. The factory default IP address is **169.254.1.1**. Press ENTER. The web interface menu and System Summary page are displayed.
- 3 On the menu, click **Installation**. The login page is displayed with Password only (the default) or with Username and Password (if identity-based user accounts have been enabled). The default Password is blank.
- 4 Enter Username (if requested) and Password (the default is blank) and click Login.

## Update the License Key and configure the ODU

Use this procedure to install a new License Key and to configure the antenna gain and cable loss in a Connectorized ODU.

### Procedure:

- 1 On the menu, click **Installation**. Click on **Continue to Installation Wizard**.
- 2 On the Software License Key page, paste the **License Key** in the License Key attribute. Click **Submit** or **Format**.
- 3 For an Integrated ODU, click **Next** in successive pages until the Wireless Configuration page is displayed. Set the **Regulatory Band** and **Maximum Transmitter Power** attributes for operation in the selected band. Note that in some EU member states, the 5.4 GHz band may be the only band available.  
  
Click **Next** in successive pages until the Confirm Installation Configuration page is displayed. Click **Confirm Configuration and Reboot**.
- 4 For a Connectorized ODU, click **Next** in successive pages until the Wireless Configuration page is displayed. Set the **Regulatory Band**, **Antenna Gain**, **Cable Loss** and **Maximum Transmitter Power** attributes to match the antenna and cables used in the installation. Note that in some EU member states, the 5.4 GHz band may be the only band available.  
  
Click **Next** in successive pages until the Confirm Installation Configuration page is displayed. Click **Confirm Configuration and Reboot**.

# Cambium Networks

Cambium Networks provides professional grade fixed wireless broadband and microwave solutions for customers around the world. Our solutions are deployed in thousands of networks in over 153 countries, with our innovative technologies providing reliable, secure, cost-effective connectivity that's easy to deploy and proven to deliver outstanding performance.

Our award-winning Point to Point (PTP) radio solutions operate in licensed, unlicensed and defined use frequency bands including specific FIPS 140-2 solutions for the U.S. Federal market. Ruggedized for 99.999% availability, our PTP solutions have an impeccable track record for delivering reliable high-speed backhaul connectivity even in the most challenging non-line-of-sight RF environments.

Our flexible Point-to-Multipoint (PMP) solutions operate in the licensed, unlicensed and federal frequency bands, providing reliable, secure, cost effective access networks. With more than three million modules deployed in networks around the world, our PMP access network solutions prove themselves day-in and day-out in residential access, leased line replacement, video surveillance and smart grid infrastructure applications.

Cambium Networks solutions are proven, respected leaders in the wireless broadband industry. We design, deploy and deliver innovative data, voice and video connectivity solutions that enable and ensure the communications of life, empowering personal, commercial and community growth virtually everywhere in the world.

User Guides: <http://www.cambiumnetworks.com/guides>

Technical training: [http://www.cambiumnetworks.com/technical\\_training](http://www.cambiumnetworks.com/technical_training)

Support website: <https://support.cambiumnetworks.com>

Main website: <http://www.cambiumnetworks.com>

Sales enquiries: [solutions@cambiumnetworks.com](mailto:solutions@cambiumnetworks.com)

Support enquiries: <https://support.cambiumnetworks.com>

Telephone number list: <http://www.cambiumnetworks.com/contact-us/>

Address: Cambium Networks Limited,  
Linhay Business Park,  
Eastern Road,  
Ashburton,  
Devon, UK,  
TQ13 7UP

phn-4835 000v002

December 2018

**Správnost**

Ačkoli jsme vynaložili velké úsilí, abychom zajistili správnost tohoto dokumentu, společnost Cambium Networks nepřijímá žádnou odpovědnost za následky způsobené nepřesnostmi, vynecháním údajů nebo použitím informací v tomto dokumentu. Společnost Cambium Networks si vyhrazuje právo změnit jakýkoli zde popsany produkt v zájmu zlepšení jeho spolehlivosti, funkčnosti nebo designu. Dále si vyhrazuje právo tento dokument upravovat a čas od času změnit jeho obsah, přičemž nemá žádnou povinnost kohokoli o takových úpravách či změnách informovat. Společnost Cambium Networks nepřijímá žádnou odpovědnost vzešlou z použití jakéhokoli zde popsaného produktu, softwaru nebo obvodu a neuděluje žádnou licenci v rámci svých patentových práv ani práv jiných subjektů. Tato publikace může obsahovat zmínky nebo informace o produktech (hardwaru a softwaru), programových nabídkách nebo službách, které se ve vaší zemi nenabízí. Takové zmínky ani informace nesmí být vykládány jako záměr společnosti Cambium Networks dané produkty, programové nabídky nebo služby společnosti Cambium Networks začít ve vaší zemi nabízet.

**Autorská práva**

Tento dokument, produkty společnosti Cambium Networks a softwarové produkty třetích stran popsané v tomto dokumentu mohou obsahovat nebo popisovat počítačové programy chráněné autorskými právy, které dodala společnost Cambium Networks nebo jiní dodavatelé a které jsou uloženy v polovodičových pamětech nebo na jiných médiích. Zákony ve Spojených státech a v jiných zemích chrání určitá výhradní práva společnosti Cambium Networks, držitelů jejích licencí a dalších externích dodavatelů softwaru na materiál chráněný autorskými právy, a to včetně výhradního práva na kopírování, reprodukci v jakékoli formě, distribuci a vytváření odvozenin z původního materiálu. Žádný materiál chráněný autorskými právy společnosti Cambium Networks, držitelů jejích licencí ani materiál dodaný třetími stranami a obsažený v produktech společnosti Cambium Networks popsaných v tomto dokumentu tedy nesmí být kopírován, reprodukován, nesmí být prováděno jeho reverzní inženýrství, nesmí být distribuován, slučován ani jakkoli upravován bez výslovného písemného svolení společnosti Cambium Networks. Zakoupení produktů Cambium Networks dále nelze považovat za udělení, přímo ani formou implikace, překážky uplatnění nároku či jinak, jakékoli licence v rámci autorských práv, patentů nebo patentových žádostí společnosti Cambium Networks nebo jiného dodavatele softwaru, vyjma standardní nevýhradní bezplatné licence na použití, která vzniká ze zákona v okamžiku prodeje produktu.

**Omezení**

Software a dokumentace jsou chráněny autorskými právy. Vytváření neoprávněných kopií je za zákona zakázáno. Žádná část tohoto softwaru ani dokumentace nesmí být reprodukována, přenášena, přepisována, ukládána v žádném systému vyhledávání informací ani překládána do žádného jazyka ani počítačového jazyka, v žádné formě a žádným způsobem, bez předchozího písemného souhlasu společnosti Cambium Networks.

**Licenční dohody**

Software popsaný v tomto dokumentu je majetkem společnosti Cambium Networks a držitelů jejích licencí. Je poskytován pouze na základě výslovné licenční dohody a smí být používán pouze v souladu s podmínkami dané dohody.

**Vysoce rizikové činnosti**

Společnost Cambium a její dodavatelé výslovně odmítají veškeré konkrétní i implikované záruky vhodnosti pro jakékoli vysoce rizikové činnosti nebo způsoby použití jejich produktů včetně, avšak nikoli výhradně, provozu jaderných zařízení, navigace letadel a leteckých komunikačních systémů, řízení leteckého provozu, zbraňových systémů a podpory života (dále jen „vysoce rizikové použití“). Veškeré vysoce rizikové použití je neoprávněné, provádíte jej na vlastní riziko a budete také odpovědní za veškeré ztráty, škody či nároky, které z takového vysoce rizikového použití vzejdou.

## Poznámky

### O této příručce

Tato příručka popisuje instalaci provozních zařízení pro spojení pomocí přístrojů řady PTP 670. Při jejím používání se řiďte osvědčenými postupy pro venkovní montáže rádiových zařízení.

V případě složitějších konfigurací mohou být k venkovní jednotce připojeny jedno nebo dvě další ethernetová rozhraní: jedno na port SFP (metalické nebo optické) a jedno na port AUX. Podrobnosti o takových konfiguracích naleznete v uživatelské příručce pro řadu PTP 670.

Tato příručka popisuje instalaci zařízení PTP 670 v těchto zemích:

- Irsko
- Norsko
- Velká Británie (UK)

Příručky rychlého použití pro PTP 670 jsou dostupné i pro další členské státy EU. Najdete je na adrese:

<http://www.cambiumnetworks.com/guides>

### Určení

Rádiová zařízení Cambium Networks řady PTP 670 podporují přenos dat po mikrovlnných spojích Point to Point (PTP). Slouží k profesionálnímu užití a výhradně k venkovnímu upevnění. Tato rádiová zařízení se dodávají s vestavěnou anténou nebo s konektorem pro připojení externí antény.

### Provoz v EU

#### Frekvenční pásma, maximální provozní výkon, bezpečná vzdálenost

Zařízení řady PTP 670 se provozují v těchto frekvenčních pásmech a s uvedeným maximálním provozním výkonem:

Provozní frekvenční pásmo	Standard EU	Maximální povolený výkon (EIRP)	Povolené užití	Minimální bezpečná vzdálenost
5470 – 5600 MHz 5650 – 5725 MHz	EN 301 893	1 watt/30 dBm	Unlicensed.	0 cm

#### Omezení a požadavky na povolení k použití

Toto zařízení je určeno pouze k venkovnímu použití.

Zařízení řady Cambium PTP 670 můžete provozovat v licencovaných i bezlicenčních frekvenčních pásmech v souladu s určenými frekvencemi v jednotlivých zemích. Provozovatelé a koncoví uživatelé musí zajistit, že se zařízení bude instalovat i provozovat v souladu s předpisy platnými v dané zemi a bude mít všechny potřebné licence a povolení.

#### Antény pro zařízení s konektorem

Venkovní jednotky řady PTP 670 s konektorem jsou určeny k použití s duální polarizovanou anténou s vertikální a horizontální polarizací. Při testech souladu těchto rádiových zařízení s evropskými předpisy byly použity níže uvedené typy antén. U každé antény je uvedený maximální zisk. Můžete použít antény stejného typu s odpovídajícím nebo nižším ziskem. Nepoužívejte antény s větším ziskem. Aby se zamezilo riziku rádiového rušení jiných uživatelů, je třeba typ a zisk antény vybrat tak, aby ekvivalentní izotropně vyzářený výkon (EIRP) nebyl větší, než jaký je nutný k úspěšné komunikaci.

Typ antény	Zisk antény podle výrobce (dBi)		
	Pásmo 4,9, GHz a 5,1	GHzPásmo 5,4	GHzPásmo 5,8 GHz
1,8m parabolická anténa	36,0	Není podporováno	38,1
1,2m parabolická anténa	32,6	34,9	35,3
Desková anténa	23,0	23,0	23,0
Sektorová anténa	17,0	17,0	17,0
Všesměrová anténa	13,0	13,0	13,0

## Doporučené parabolické antény

Níže uvedené parabolické antény jsou vhodné pro použití s venkovní jednotkou PTP 670 s konektorem, je-li dodržen maximální zisk antény uvedený výše.

Výrobní číslo společnosti Cambium	Popis
RDH4503B	5,25–5,85 GHz 0,6 m, 29,0 dBi, dvojí polarizace, H a V polarizace, s jemným laděním
RDH4504B	5,25–5,85 GHz 0,9 m, 32,5 dBi, dvojí polarizace, H a V polarizace
RDH4505B	5,25–5,85 GHz 1,2 m, 34,9 dBi, dvojí polarizace, H a V polarizace
RDH4506B	5,25–5,85 GHz 1,8 m, 37,9 dBi, dvojí polarizace, H a V polarizace
RDH4508B	5,25–5,85 GHz 0,6 m, 28,8 dBi, vysoký výkon, dvojí polarizace
RDH4509B	5,25–5,85 GHz 0,9 m, 32,3 dBi, vysoký výkon, dvojí polarizace
RDH4510B	5,25–5,85 GHz 1,2 m, 34,7 dBi, vysoký výkon, dvojí polarizace
RDH4511B	5,25–5,85 GHz 1,8 m, 37,7 dBi, vysoký výkon, dvojí polarizace

## Konfigurace venkovní jednotky

Během montáže dodržujte uvedené pokyny. Zajistíte tím soulad zařízení s národními předpisy.

- Zkontrolujte, zda venkovní jednotka používá nejnovější verzi firmwaru. Firmware je k dispozici na stránce centra podpory Cambium, viz odkaz níže.
- Během instalace zařízení zkontrolujte, zda máte venkovní jednotku skutečně v regionální verzi pro EU. Pomocí Centra podpory Cambium vygenerujte licenční klíč specifický pro zemi, ve které se bude zařízení provozovat. Tento klíč nainstalujte do venkovní jednotky. Licenční klíč zpřístupní další regulovaná pásma povolená v příslušné zemi.
- V případě zařízení s konektorem zadejte ve webovém rozhraní na stránce System Configuration (Nastavení systému) zisk antény a ztráty na vedení – pole Antenna Gain (Zisk antény) a Cable Loss (Ztráty na vedení).

## Zjednodušené prohlášení o shodě pro EU

Výrobce, Cambium Networks Ltd., tímto prohlašuje, že rádiová zařízení typu PTP 670 5 GHz s konektorem / PTP 670 5 GHz s integrovanou anténou splňují požadavky směrnice 2014/53/EU. Úplné znění prohlášení o shodě pro EU je k dispozici na internetové adrese:

<http://www.cambiumnetworks.com/support/compliance/>

## Odborná montáž

Instalace a provoz tohoto zařízení jsou poměrně komplexní. Dodržujte pokyny uvedené v této příručce. Zajistěte, aby provoz vyhovoval platným předpisům země, ve které se zařízení používá. Zajistěte, aby pracovníci provádějící montáž byli dostatečně kvalifikovaní a:

- znali příslušné platné národní předpisy včetně předpisů o rádiovém provozu, elektrických instalacích, ochraně proti přepětí a předpisů o práci ve výškách;
- provedli montáž podle pokynů společnosti Cambium Networks;
- ověřili, že nastavení zařízení je v souladu s národními a regionálními předpisy.

## Uživatelská dokumentace

Kompletní pokyny pro plánování a instalaci řady PTP 670 a seznam součástí naleznete v Uživatelské příručce pro řadu PTP 670, kterou stáhnete na adrese:

<http://support.cambiumnetworks.com/files/ptp670>

## Odpadní elektrická a elektronická zařízení (OEEZ)



Nevyhazujte elektrická a elektronická zařízení ani elektrické a elektronické příslušenství do domovního odpadu. V některých zemích a regionech fungují systémy zajišťující sběr odpadních elektrických a elektronických zařízení. V zemích Evropské unie kontaktujte zástupce svého dodavatele zařízení nebo centrum podpory společnosti Cambium Networks a požádejte o informace o systému sběru odpadu ve své zemi.

Pokyny k likvidaci použitých produktů naleznete na adrese:

<http://www.cambiumnetworks.com/support/weee-compliance>

## Bezpečnost



Upozornění Aby nedošlo ke zranění či smrti, dodržujte níže uvedené bezpečnostní pokyny. Společnost Cambium Networks není v žádném případě odpovědná za jakékoli zranění nebo škody způsobené během instalace zařízení Cambium PTP 670. Spojení PTP 670 smí instalovat pouze kvalifikovaný pracovník.

### Elektrická vedení

Při práci v blízkosti elektrických vedení dbejte maximální opatrnosti.

### Práce ve výškách

Při výškových pracích dbejte maximální opatrnosti.

### Napájecí zdroj

K napájecí venkovní jednotky používejte pouze střídavý zdroj nebo rozšířený střídavo-stejnosměrný napájecí zdroj. Pokud zdroj dodaný společností Cambium nepoužijete, zrušíte tím platnost bezpečnostního certifikátu a může dojít k poškození zařízení a ohrožení bezpečnosti.

### Uzemnění

Venkovní jednotka se musí správně uzemnit a chránit proti blesku. It is the user's responsibility to install the equipment in accordance with national regulations. V USA je nutné dodržovat požadavky předpisu National Electrical Code NFPA 70-2005 a zákona 780-2004 *Installation of Lightning Protection Systems*. V Kanadě dodržujte paragraf 54 předpisu *Canadian Electrical Code*. Tyto předpisy popisují správné instalační postupy pro zemnění venkovní jednotky, stožáru, přípojných kabelů a vybíjecí jednotky, průřez zemnicích vodičů a požadavky na připojení zemnicích elektrod. V různých zemích se na instalaci mohou vztahovat různé předpisy, proto ji doporučujeme svěřit odborníkům.

### Stejnoseměrné napájení

K napájecí venkovní jednotky ze stejnosměrného zdroje použijte rozšířený střídavo-stejnosměrný napájecí zdroj (výrobní číslo C000065L002C). Zkontrolujte, zda stejnosměrný zdroj splňuje požadavky uvedené v *uživatelské příručce pro řadu PTP 670*.

## Odpojení od napájení před servisními zásahy

Před servisními zásahy na zařízení PTP 670 vždy vypněte napájení a odpojte zařízení od napájecího zdroje. Pokud je napájecí zdroj připojen k napájení, neodpojujte z venkovní jednotky konektory připojovacího kabelu RJ45. Vždy od zdroje odpojte stejnosměrné nebo střídavé napájení.

## Primární odpojovací zařízení

Odpojení se provádí primárně prostřednictvím napájecího zdroje. Rozšířený střídavo-stejnosměrný napájecí injektor je opatřen pojistkou na stejnosměrném vstupu. Některé instalace vyžadují zařadit do stejnosměrného napájení další jistič nebo odpojovač.

## Venkovní kabely

Připojovací kabely vystavené venkovnímu prostředí musí být určeny pro venkovní užití, jinak může dojít k ohrožení bezpečnosti. Pro vnější měděná ethernetová rozhraní CAT5e vždy používejte kabel CAT5e vyplněný gelem a stíněný poměděnou ocelí. Použití jiných typů připojovacích kabelů společnost Cambium Networks v případě zařízení PTP 670 nedoporučuje.

Střídavou kabeláž by měl vždy instalovat kvalifikovaný elektrikář.

## Zkoušečka připojovacího kabelu

Zkoušečku připojovacího kabelu je ZAKÁZÁNO použít na straně venkovní jednotky na konci kabelu připojeného k napájení. Použití ji můžete pouze pod stožárem spolu s multimetrem. Je to proto, že napětí napájecího zdroje překračuje limit povolený v některých zemích pro bezpečnou manipulaci ve vlhkých podmínkách a může tedy vytvořit bezpečnostní riziko.

## Vystavení vysokofrekvenčnímu záření v blízkosti antény

V blízkosti antény zapnutého vysílače působí zdraví škodlivé radiofrekvenční záření. Před údržbou v prostoru před anténou vždy napájení venkovní jednotky vypněte.

## Minimální bezpečná vzdálenost

Dbejte na to, aby nebyli pracovníci vystaveni nebezpečně silnému rádiovému záření. Zařízení začíná vysílat záření okamžitě po připojení k napájení. Nikdy nepracujte před anténou, pokud je venkovní jednotka pod napětím. Venkovní jednotku umístěte tak, aby byla zajištěna a udržena minimální bezpečná vzdálenost od všech osob.

## Požadavky na zemnění a ochranu před bleskem

Zkontrolujte, zda montáž splňuje požadavky uvedené v *Uživatelské příručce pro řadu PTP 670*.

## Způsoby upevnění zemnicího kabelu

Účinnou ochranu proti bleskem způsobenému přepětí, zaručíte dodržěním následujících pravidel:

- Zemnicí vodič musí být co nejkratší, nejpřímější a nejhladší a musí na něm být co nejméně ohybů.
- Na zemnicích kabelech nesmí být odkapávací smyčky.
- Všechny ohyby musí mít poloměr nejméně 203 mm a úhel nejméně 90°. Lepší než ohyb je vést vodič úhlopříčně, a to i v případě, že pak nekopíruje obrys nosné konstrukce ani s ní nevede paralelně.
- Všechny ohyby, oblouky a napojení je třeba směřovat k systému zemnicí elektrody, zemnicí tyči nebo zemnicí liště.
- Zemnicí vodiče musí být důkladně upevněny.

- K zemnění se nesmí používat splétané vodiče.
- Při spojování různých kovů postupujte podle schválených spojovacích metod.

### Umístění venkovních jednotek a antén

Venkovní jednotka a externí antény nejsou navrženy tak, aby odolaly přímému zásahu blesku. Proto je nutné je umístit do zóny B popsané v *Uživatelské příručce pro řadu PTP 670*. Umístěním venkovní jednotky do zóny A můžete ohrozit zařízení, stavby i život.

### Odolnost vůči silnému větru

Přesvědčte se, že venkovní jednotka (i s konstrukcí, ke které je připevněná) odolá maximální síle větru v uvažované lokalitě.

### Teplota povrchu

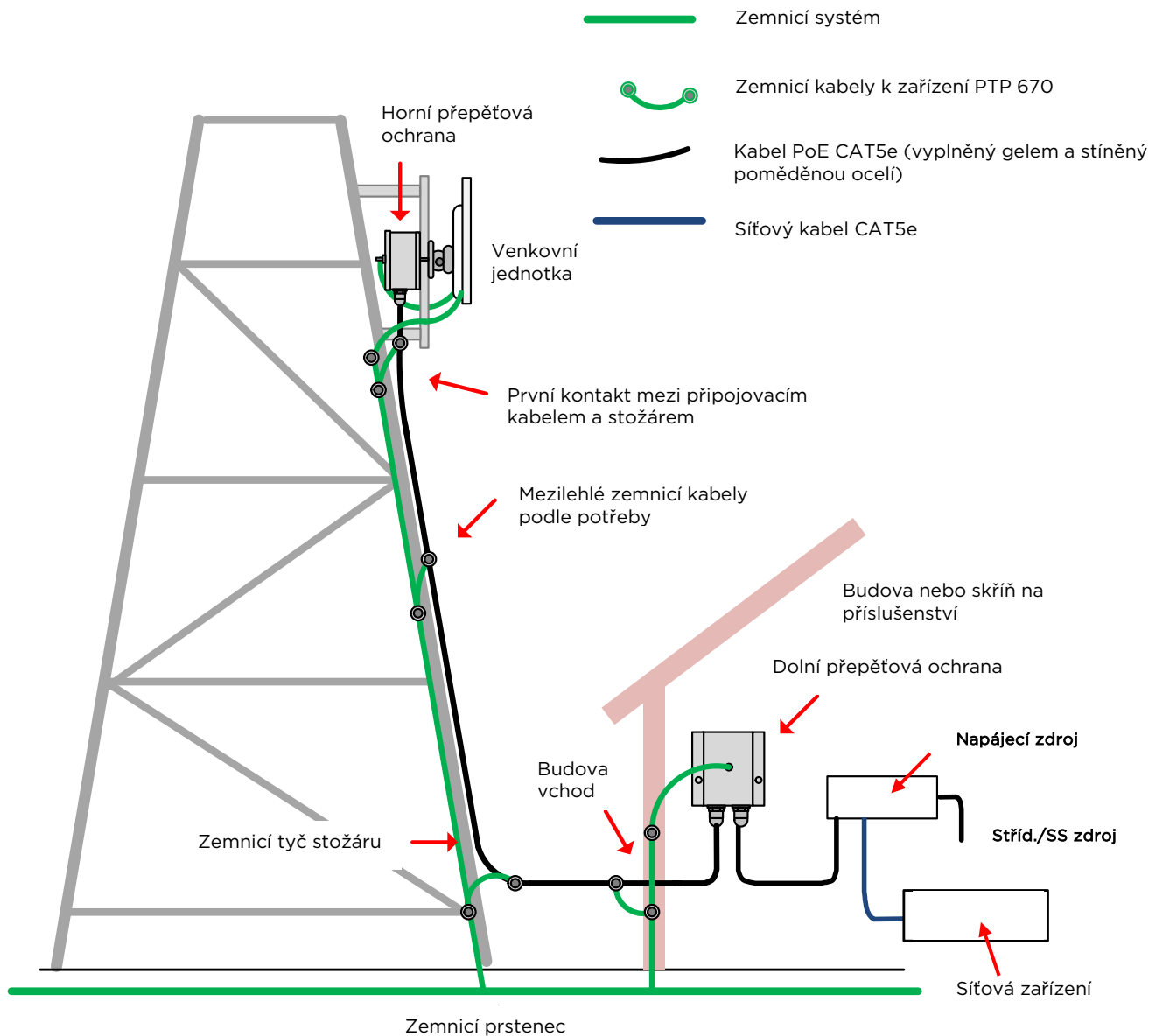
Kryt venkovní jednotky může být při provozu horký.

## Výrobce zařízení

Cambium Networks Ltd, Unit B2 Linhay Business Park, Eastern Road, Ashburton, Devon, TQ13 7UP, Velká Británie



## Typické způsoby instalace



Zařízení řady PTP 670 (venkovní jednotka a případně externí anténa) se obvykle umísťuje na vysokou nosnou konstrukci, například stožár, věž nebo budovu, a vnitřní zařízení (napájecí zdroj) se umísťuje do budovy pro příslušenství nebo skříň odolné proti vlhkosti. Obvyklý způsob instalace na stožár nebo věž si můžete prohlédnout zde:



**Poznámka** Tyto pokyny předpokládají, že použijete přepětovou ochranu (bleskojistky) ze sady pro přepětovou ochranu a zemnění (výrobní číslo C000065L007A). Pokud vaše instalace přepětovou ochranu nevyžaduje, pokyny podle potřeby přizpůsobte.

Když přepětovou ochranu instalujete, použijte pouze pět kabelových průchodek EMC s černým víčkem, které se dodávají se sadou pro přepětovou ochranu a zemnění. Kabelové průchodky se stříbrným víčkem, které se dodávají k venkovní jednotce, můžete použít pouze v případě, že daná instalace PTP 670 přepětovou ochranu nevyžaduje.

## Variety venkovní jednotky a dostupné montážní držáky

### Variety venkovní jednotky

Venkovní jednotka PTP 670 se dodává ve dvou různých verzích.

Integrovaná venkovní jednotka PTP 670 má venkovní jednotku připojenou k 23dBi ploché anténě a je určena pro náročná spojení na střední až dlouhou vzdálenost a tradiční páteřní spojení vyžadující velkou kapacitu a vysokou bilanci spojení. Integrovaná anténa představuje pohodlné řešení se snadnou montáží pro případy, kdy není potřeba větší zisk externích antén.

#### Integrovaná venkovní jednotka (4,8 až 5,9 GHz)



#### Integrovaná venkovní jednotka (4,9 až 6,05 GHz)



Venkovní jednotka PTP 670 s konektorem se propojuje se samostatně upevněnými externími anténami. Ty zpravidla mají větší zisk než antény integrované, takže se PTP 670 dokáže vyrovnat s méně příznivými podmínkami pro rádiový přenos.



### Dostupné montážní držáky

Řadu PTP 670 můžete uchytit třemi montážními držáky. Vhodný držák vyberte podle průměru tyče a varianty venkovní jednotky:

Držák	Průměr tyče	Varianta venkovní jednotky	Číslo dílu držáku
Sestava naklápěcího držáku	40 mm až 77 mm	Integrovaná PTP 670 PTP 670 s konektorem	N000045L002A
Sestava naklápěcího držáku se stahovacími pásky	90 mm až 230 mm	Integrovaná PTP 670 PTP 670 s konektorem	N000045L002A + páskové svorky-od externího dodavatele
Montážní držák (integrovaný)	-40 mm až 82 mm	Integrovaná PTP 670	N000065L031A



Poznámka Sestava naklápěcího držáku se dodává jako součást sad PTP 670 s integrovanou anténou a s konektorem. Integrovaný montážní držák v případě potřeby objednejte samostatně.

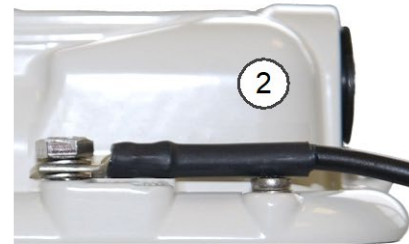


Poznámka Sestava naklápěcího držáku umožňuje nastavit výškový úhel venkovní jednotky s integrovanou anténou mezi  $-17^\circ$  a  $+26^\circ$ . Integrovaný montážní držák umožňuje nastavit výškový úhel venkovní mezi  $-26^\circ$  a  $+41^\circ$ .

## Instalace venkovní jednotky a horní přepětové ochrany

### Připojení zemnicích kabelů k venkovní jednotce

- 1 Ke každému zemnicímu bodu venkovní jednotky upevněte jeden zemnicí kabel pomocí oček M6 (malých): jeden je pro horní přepětovou ochranu (na druhém konci je také očko M6) a druhý upevněte ke stožáru nebo k budově (na druhém konci je očko M10). Není podstatné, který kabel upevníte ke kterému zemnicímu bodu venkovní jednotky.
- 2 Oba zemnicí šrouby venkovní jednotky utáhněte na moment 5,0 Nm.



### Upevnění venkovní jednotky na stožár

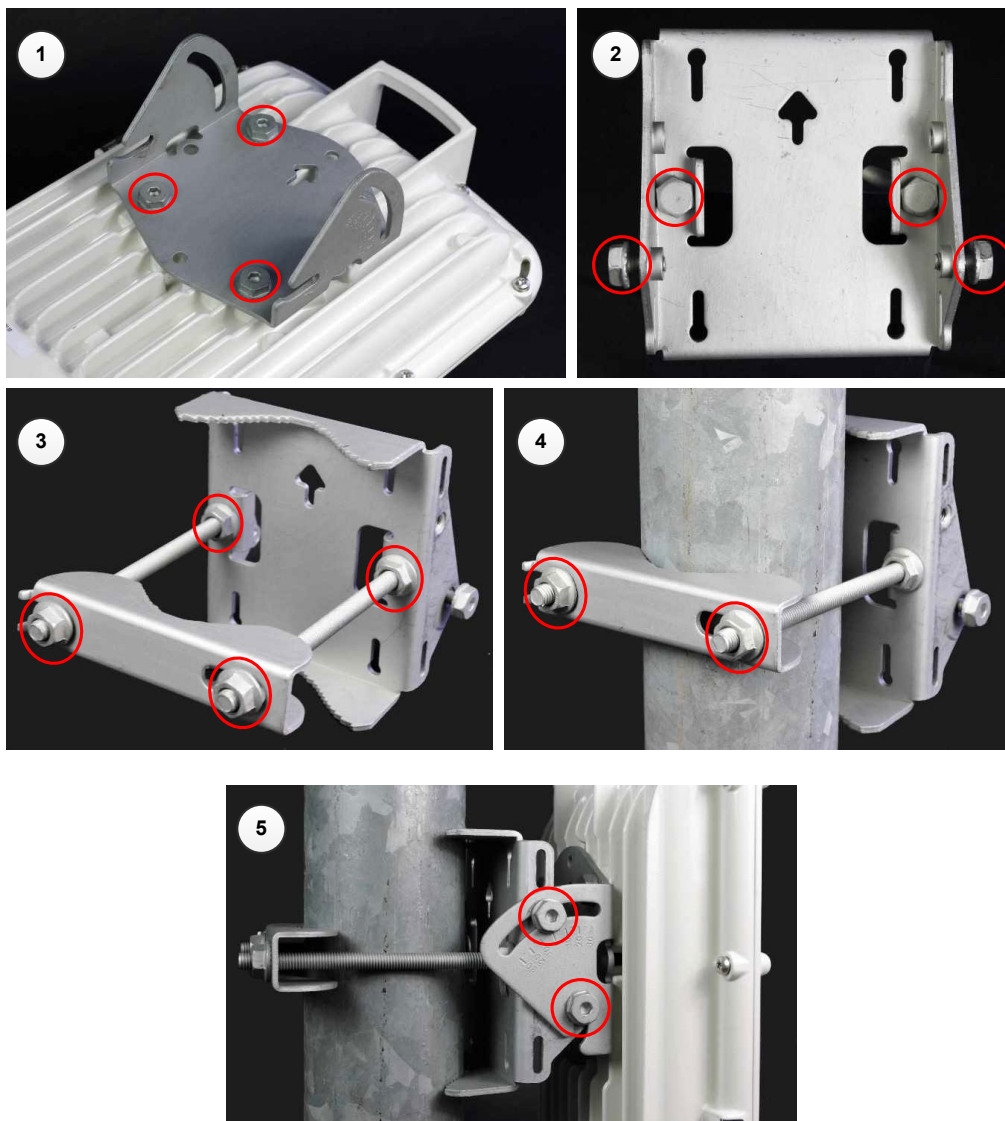
Z variant uvedených v části Dostupné montážní držáky na straně 10 vyberte tu nejvhodnější. Postupy pro jednotlivé varianty jsou uvedeny níže:

- Sestava naklápěcího držáku na straně 44
- Sestava naklápěcího držáku se stahovacími pásky na straně 45
- Montážní držák (integrováný) na straně 46

Montážní postup lze přizpůsobit i pro upevnění venkovní jednotky k vhodné vodorovné tyči, ale ve srovnání s upevněním ke svislé tyči je v takovém případě pochopitelně menší možnost nastavení směrového úhlu.

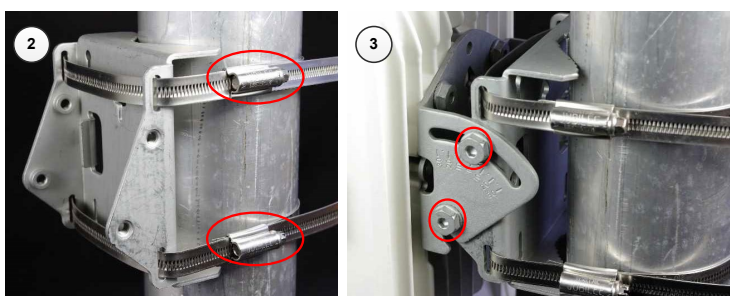
### Sestava naklápěcího držáku

- 3 Pomocí čtyř krátkých šroubů upevněte montážní destičku naklápěcího držáku k zadní straně venkovní jednotky, přičemž šipka na destičce musí směřovat k horní straně venkovní jednotky. Tyto čtyři šrouby dotáhněte pomocí 13mm stranového nebo nástrčného klíče na moment 5,0 Nm.
- 4 Dva dlouhé šrouby prostrčte skrz tělo držáku podle obrázku tak, aby jejich hlavy zapadly do drážek. Dva krátké šrouby prostrčte skrz strany těla držáku, zatím je však neutahujte.
- 5 Na oba dlouhé šrouby našroubujte matice a pomocí 13mm stranového nebo nástrčného klíče je utáhněte proti tělu držáku. Nasaďte na dlouhé šrouby ramínko a našroubujte dvě zbývající matice.
- 6 Sestavené tělo držáku upevněte na stožár, nastavte směrový úhel a 13mm nástrčným nebo stranovým klíčem dotáhněte matice na moment 10,0 Nm. Šipka na těle držáku musí směřovat nahoru.
- 7 Posuňte venkovní jednotku do montážní výšky. Nasaďte montážní destičku na držák tak, že otevřené drážky v destičce nasunete na krátké šrouby. Delšími obloukovými otvory prostrčte zbývající krátké šrouby a zašroubujte je do závitových otvorů v těle držáku. Nastavte výškový úhel a 13mm stranovým nebo nástrčným klíčem dotáhněte šrouby na moment 8,0 Nm.



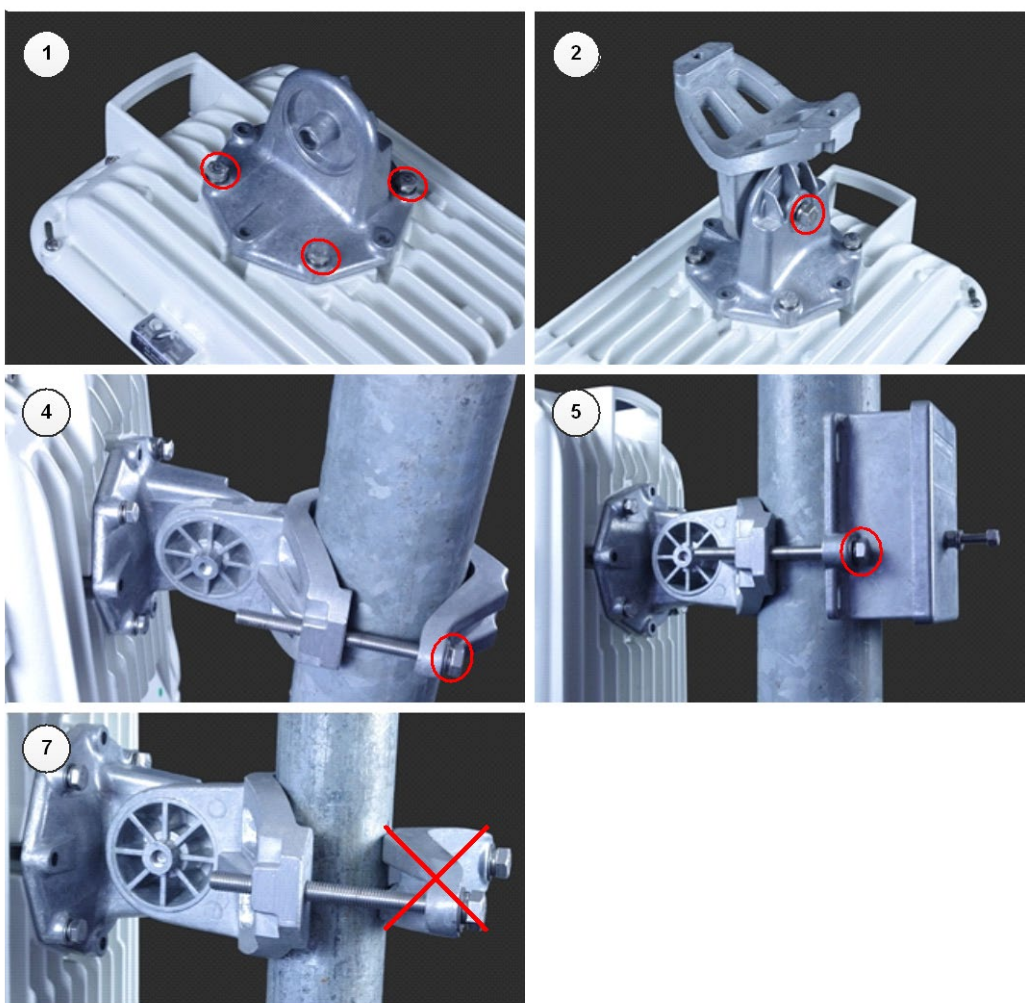
### Sestava naklápěcího držáku se stahovacími pásy

- 1 Proveďte krok 1 montážního postupu naklápěcího držáku výše.
- 2 Prostrčte páskové svorky (nejsou součástí dodávky od společnosti Cambium) skrz otvory v těle držáku. Pomocí páskových svorek upevněte tělo držáku na stožár. Šipka na těle držáku musí směřovat nahoru. Nastavte směrový úhel a dotáhněte svorky na moment 6,0 Nm.
- 3 Posuňte venkovní jednotku do montážní výšky. Pomocí čtyř krátkých šroubů upevněte montážní destičku na tělo držáku. Použijte 13mm stranový nebo nástrčný klíč. Nastavte výškový úhel a dotáhněte šrouby na moment 8,0 Nm.



## Montážní držák (integrovaný)

- 1 Pomocí čtyř dodaných šroubů a pérových a obyčejných podložek upevněte montážní destičku k zadní straně venkovní jednotky. Pérová podložka musí být mezi hlavou šroubu a obyčejnou podložkou. Dotáhněte šrouby na moment 5,0 Nm.
- 2 Pomocí šroubu M8, pérových a obyčejných podložek upevněte k montážní destičce tělo držáku. Pérová podložka musí být mezi hlavou šroubu a obyčejnou podložkou.
- 3 Posuňte venkovní jednotku do montážní výšky.
- 4 Pomocí svorky držáku, šroubů M8, pérových a obyčejných podložek upevněte tělo držáku k tyči. Pérová podložka musí být mezi hlavou šroubu a obyčejnou podložkou. V případě, že chcete přímo za venkovní jednotku umístit přepětovou ochranu, použijte ji místo svorky.
- 5 Úpravou výškového a směrového úhlu nastavte vizuální orientaci. Všechny tři šrouby dotáhněte na moment 8,0 Nm.



Upozornění Dbejte na správné nasazení svorky držáku. Při jejím opačném nasazení, jak je vidět na obrázku 7 výše, se může jednotka uvolnit. Nedotahujte šrouby příliš, může dojít k poškození montážní sestavy.

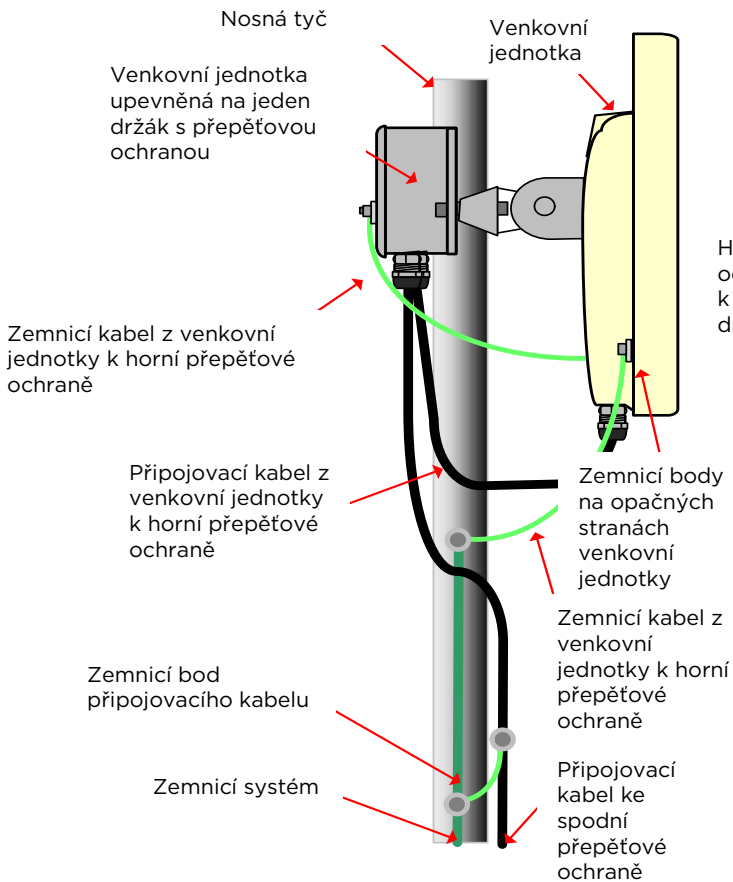
## Upevnění horní přepětové ochrany

Chcete-li přepětovou ochranu upevnit samostatně, použijte třmenový držák ve tvaru U ze sady přepětové ochrany. Pomocí něj zařízení upevníte na tyč pod venkovní jednotku. Třmenový držák dotáhněte na moment 7,0 Nm.

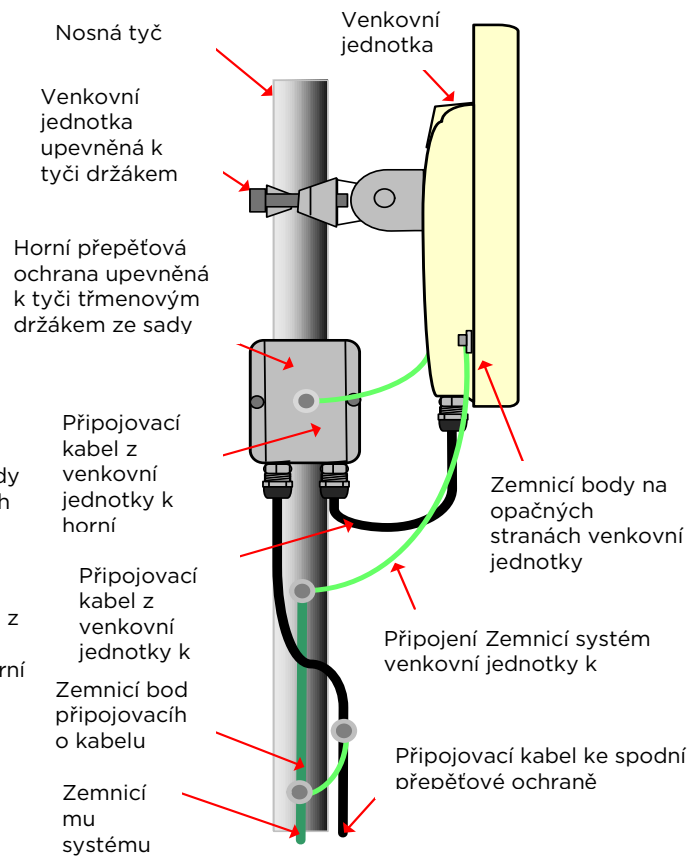


## Propojení a uzemnění venkovní jednotky a horní přepětové ochrany

Způsob 1: Zády k sobě

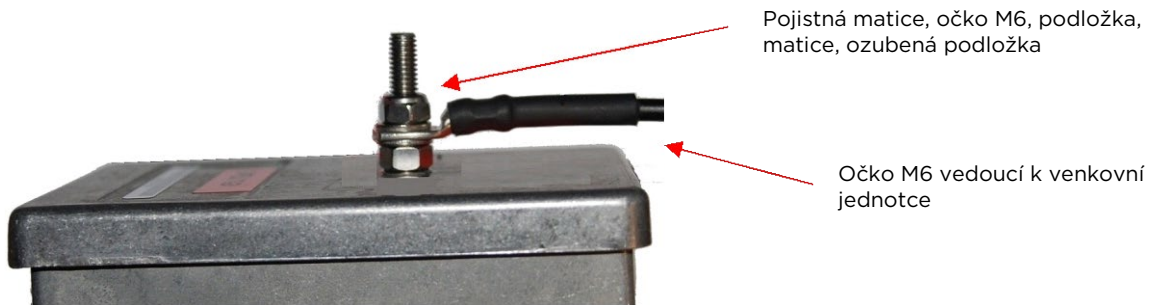


Způsob 2: sobě



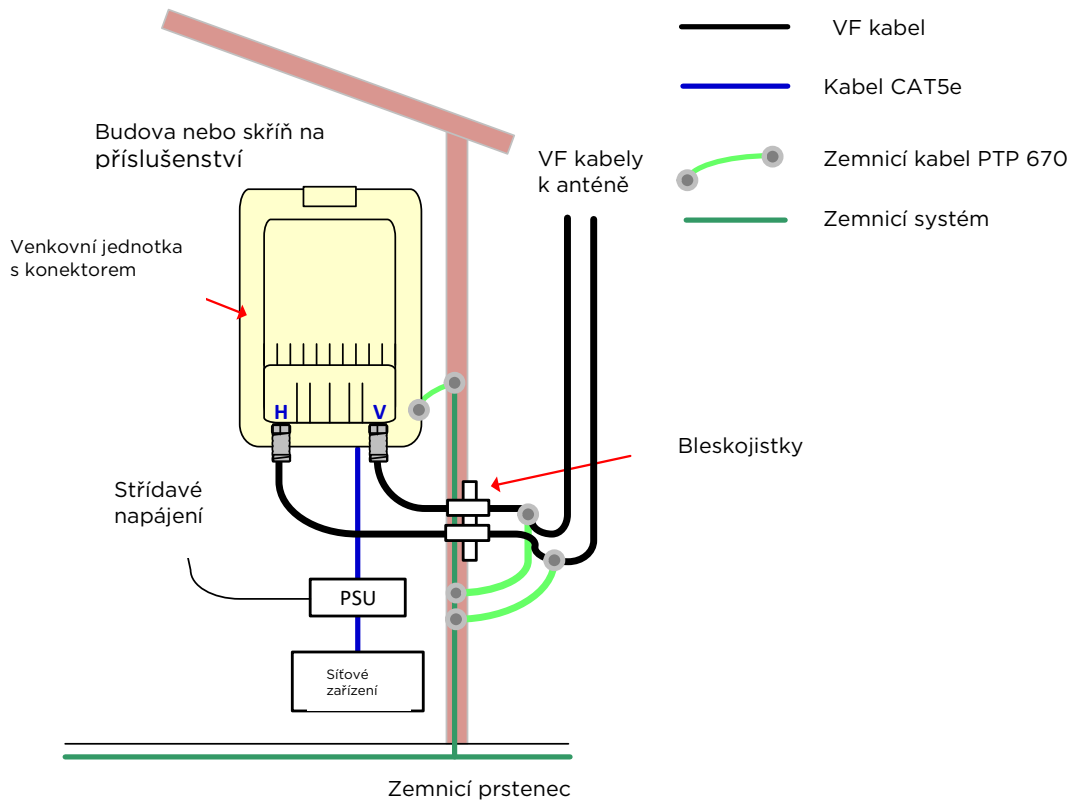
Upozornění Nepřipevňujte zemnicí kabely ke šroubům montážního držáku venkovní jednotky. Nezajistilo by to úplnou ochranu.

- 1 Pomocí očka M6 (malého) upevněte zemnicí kabel venkovní jednotky k horní přepěťové ochraně. Obě matice dotáhněte na moment 5 Nm:



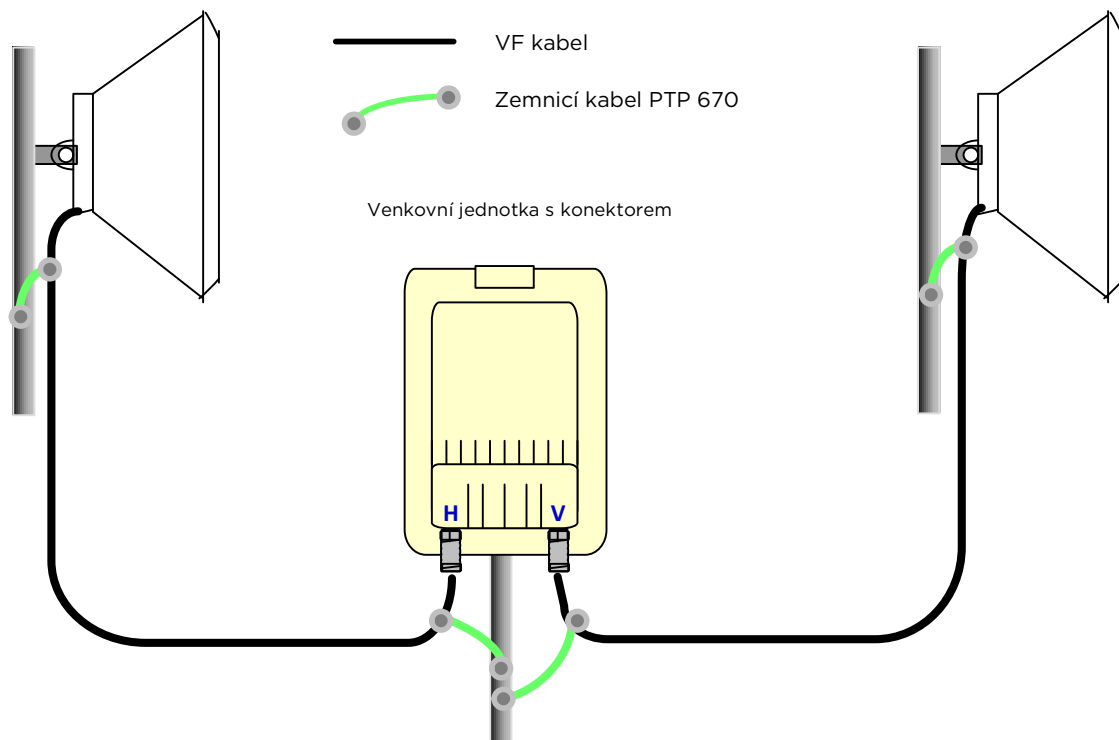
- 2 Zvolte zemnicí bod na stožáru nebo budově ve vzdálenosti do 0,3 metru od držáku venkovní jednotky. Odstraňte z povrchu nátěr a naneste na něj antikoroziční ochranu. Pomocí očka M10 (velkého) k tomuto bodu upevněte zemnicí kabel venkovní jednotky.
- 3 Pokud místní předpisy vyžadují nezávislé uzemnění všech zařízení, přidejte třetí zemnicí kabel, který spojí horní přepěťovou ochranu přímo se zemnicím systémem.

## Upevnění externích antén pro venkovní jednotku s konektorem





- 1 Antény upevněte podle pokynů výrobce. Pokud samostatné antény používáte proto, abyste dosáhli prostorové diverzity, upevněte jednu s horizontální polarizací a druhou s vertikální polarizací.
- 2 Antény připojte k rozhraním V a H venkovní jednotky pomocí VF kabelu typu CNT-400 (výrobní čísla 30010194001 a 30010195001) a konektorů typu N (výrobní číslo 09010091001). Konektory typu N dotáhněte pomocí 24mm stranového klíče na moment 1,7 Nm.
- 3 Pokud bude venkovní jednotka umístěna uvnitř, nainstalujte do vstupního bodu budovy bleskojistky:
- 4 Poblíž dolních konců anténních kabelů vytvořte odkapávací smyčky. Ty zajistí, že voda nepoteče ke konektorům.
- 5 Pokud bude venkovní jednotka umístěna venku, opatřete konektory typu N ochranou proti povětrnostním vlivům (poté, co doladíte přesnou orientaci antény) pomocí pásky z PVC a samovulkanizační gumové pásky.
- 6 Stejně tak zajistěte proti povětrnostním vlivům i konektory na anténě (pokud její výrobce neurčil jiný postup).
- 7 Anténní kabely uzemněte k nosné konstrukci ve vzdálenosti 0,3 metru od venkovní jednotky a antén. Použijte zemnicí sadu Cambium (výrobní číslo 01010419001):



- 8 Anténní kabely upevněte schválenou metodou k nosné konstrukci. Konektory venkovní jednotky ani antén nesmí být nepřiměřeně namáhané. Kabely nesmí vlát ve větru, vlající kabely jsou náchylné k poškození a vytvářejí v nosné konstrukci nežádoucí vibrace.

## Připojení měděného ethernetového rozhraní CAT5e

Připojení měděného ethernetového rozhraní CAT5e provedete následovně:

- Podle strany 51 upevněte připojovací kabel mezi venkovní jednotkou a horní přepětovou ochranou.
- Podle strany 52 upevněte hlavní připojovací kabel.
- Podle strany 54 upevněte připojovací kabel mezi spodní přepětovou ochranou a napájecím zdrojem.
- Podle strany 55 změřte odpor připojovacího kabelu.



Upozornění Aby nedošlo k poškození instalovaného zařízení, nepřipojujte ani neodpojujte připojovací kabel, když je napájecí zdroj nebo koncové síťové zařízení pod napětím.



Upozornění Nepřipojujte připojovací kabely SFP ani Aux k napájecímu zdroji. Mohlo by dojít k poškození zařízení.



Upozornění Vždy používejte kabel CAT5e vyplněný gelem a stíněný poměděnou ocelí. Použití jiných typů kabelů CAT5e společnost Cambium Networks nedoporučuje. Cambium Networks má v nabídce nejen tento kabel (pod výrobními čísly WB3175 a WB3176), ale i konektory RJ45 (výrobní číslo WB3177) a krimpovací kleště (výrobní číslo WB3211). Sada přepětové ochrany a zemnění obsahuje tento kabel v délce 0,6 metru.

## Připojení připojovacího kabelu od horní přepětové ochrany k venkovní jednotce

### Nasazení průchodek na připojovací kabel od horní přepětové ochrany k venkovní jednotce

Nasaďte na oba konce 0,6m kabelu s konektorem kabelové průchodky EMC (s černými víčky) zmírňující tah. Tyto součásti se dodávají v sadě přepětové ochrany a zemnění.

- 1 Rozeberte průchodky a jejich jednotlivé části nasaďte na kabel (gumovou ucpávku lze rozevřít). Sestavte pružinovou svorku a gumovou ucpávku:



- 2 Vložte tyto části do těla průchodky a pomocí 24mm stranového klíče matici průchodky lehce utáhněte (nedotahujte ji):



### Připojení připojovacího kabelu k venkovní jednotce (port PSU) a přepětové ochraně

- 1 (a) Zastrčte konektor RJ45 do zásuvky na venkovní jednotce tak, aby zacvakl.  
 (b) Přišroubujte tělo průchodky k portu RJ45 a dotáhněte ho na moment 5,5 Nm.

(a)



(b)



- 2 (a) Nasadte matici průchodky a utáhněte ji, dokud se gumové těsnění nesevře kolem kabelu.  
 (b) Neutahujte matici průchodky příliš, jinak hrozí poškození jejích vnitřních součástí:

(a)



(b)

Správně



Špatně



### Odpojení připojovacího kabelu od přepětové ochrany nebo venkovní jednotky

Tento postup použijte v případě, že potřebujete odšroubovat kabelovou průchodku EMC a odpojit konektor RJ45 od venkovní jednotky nebo přepěťové ochrany (viz obrázky).

- 1 (a) Vyšroubujte matici průchodky. Víkláním připojovacího kabelu uvolněte napětí v těle průchodky. Po uvolnění napětí v těle průchodky se v místě vyznačeném na obrázku vytvoří mezera. Odšroubujte tělo průchodky.
- (b) Malým šroubovákem zatlačte na pojistný výstupek konektoru RJ45 a konektor vysuňte.

(a)



(b)



## Připojení hlavního připojovacího kabelu



**Varování** Kovové stínění připojovacího kabelu je velmi ostré a může způsobit poranění.

- VŽDY používejte rukavice odolné proti proříznutí (odolnost proti proříznutí si ověřte na jejich štítku).
- VŽDY používejte ochranné brýle.
- K odizolování kabelu VŽDY používejte nástroj s otočnou čepelí (NEPOUŽÍVEJTE nůž s klasickou čepelí).



**Varování Nedodržení těchto pokynů může vést ke zranění nebo smrti:**

- Použijte vhodný zvedací držák pro zdvihání kabelů. Použití nevhodného držáku může vést k vyklouznutí kabelu nebo k nedostatečné síle sevření.
- Zvedací držáky nepoužívejte opakovaně. Použité držáky mohou mít nižší pružnost, být příliš vytažené nebo oslabené. Při opakovaném použití držáku může kabel vyklouznout, spadnout nebo může dojít k jeho porušení.
- Jeden držák můžete použít maximálně na 60 m kabelu.

### Zkrácení kabelu na potřebnou délku a nasazení zdvihacích držáků.

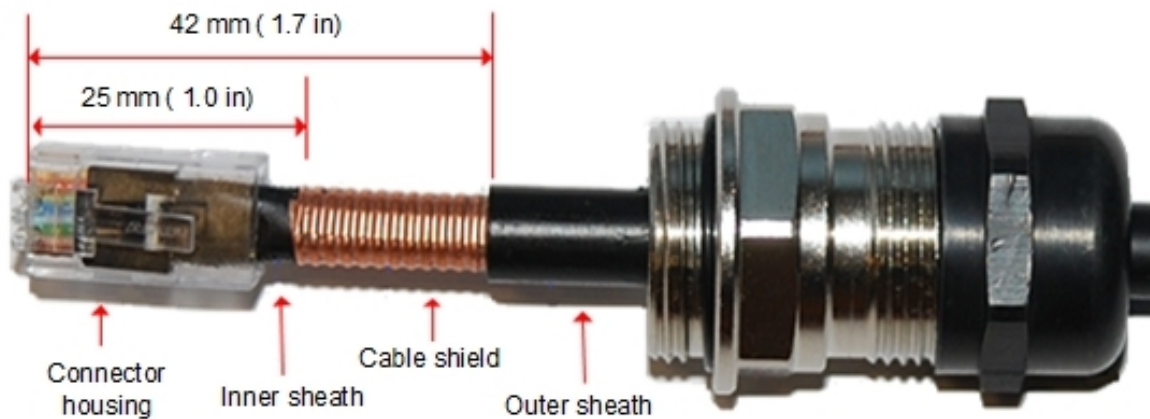
- 1 Zkraťte hlavní připojovací kabel na délku potřebnou k propojení horní přepěťové ochrany a spodní přepěťové ochrany.
- 2 Na horní konec připojovacího kabelu nasuňte jeden nebo více zdvihacích držáků.
- 3 Pomocí speciálního nástroje doporučeného výrobcem zdvihací držáky na kabelu upevněte.

## Zakončení kabelu konektory RJ45 a průchodkami{14}



Upozornění Použijte krimpovací kleště vhodné pro konektor RJ45, jinak může dojít k poškození kabelu nebo konektoru.

- 1 Nasadte na hlavní připojovací kabel kabelovou průchodku (s černým víčkem).
- 2 Odstraňte vnější izolaci kabelu a nasadte vložku konektoru RJ45.
- 3 Podle obrázku nasadte tělo konektoru RJ45. Aby neohrozilo vytažení kabelu z konektoru, vložte vnitřní izolaci kabelu pod jazýček těla konektoru. Maticí průchodky neutahujte:



## Vyzdvihnutí a upevnění hlavního připojovacího kabelu



Varování Nedodržení těchto pokynů může vést ke zranění nebo smrti:

- Nezdvíhejte více kabelů pomocí jednoho zdvihacího držáku. V opačném případě může držák prasknout nebo kabely spadnout.
- Nespouštějte kabel pomocí zdvihacího držáku, pokud není svorka důkladně sepnutá.
- Během zdvihání udržujte zdvihací držák napjatý. Ztráta pnutí může vést k nebezpečnému pohybu kabelu a následně ke zranění nebo smrti pracovníků.
- Neuvolňujte napětí na držáku, dokud není jeho rukojeť upevněna k nosné konstrukci.
- Nevystavujte konektory RJ45 žádnému pnutí.



Upozornění Nekladte připojovací kabel podél hromosvodu.

- 1 Podle pokynů výrobce zdviháku vyzvedněte horní konec hlavního připojovacího kabelu k horní přepětové ochraně. Jakmile je kabel na správném místě, upevněte rukojeť zdvihacího držáku k nosné konstrukci a sejměte jeřábové lano.
- 2 Připojte hlavní připojovací kabel k horní přepětové ochraně podle oddílu Připojení připojovacího kabelu k venkovní jednotce (port PSU) a přepětové ochraně na straně 18.
- 3 Přiveďte hlavní připojovací kabel ke spodní přepětové ochraně.

- 4 Schválenými metodami upevněte hlavní připojovací kabel k nosné konstrukci.

### Uzemnění hlavního připojovacího kabelu

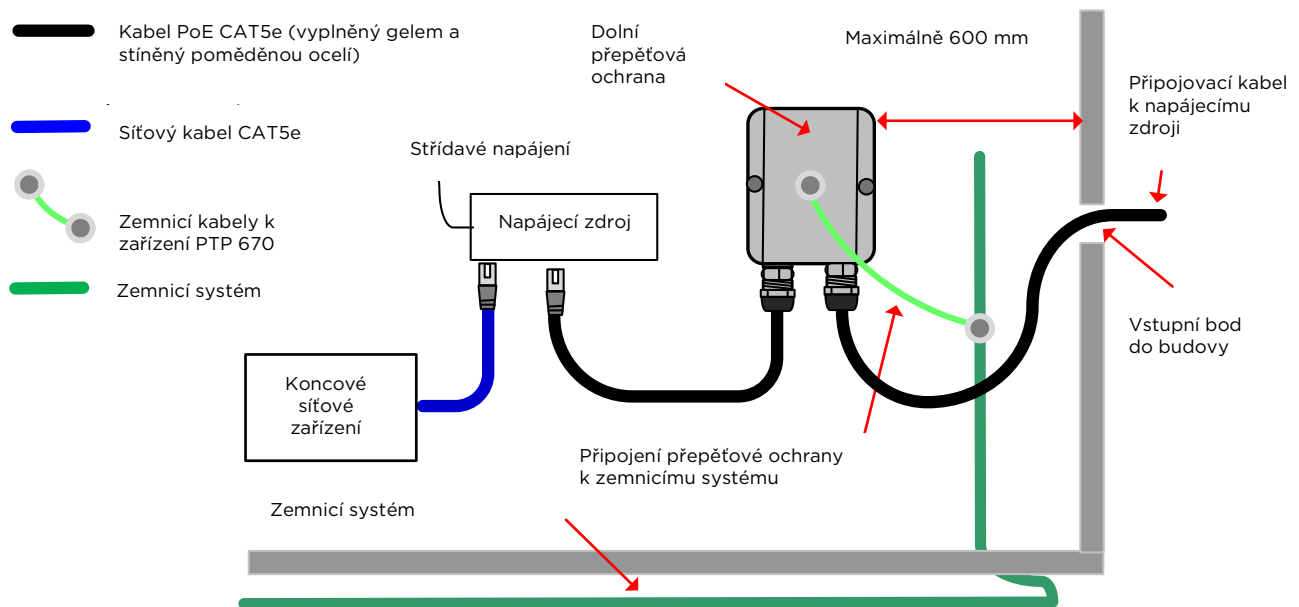
Na všech potřebných zemnicích bodech připojte stínění hlavního připojovacího kabelu ke kovu nosné konstrukce pomocí sady pro uzemnění kabelu (výrobní číslo 01010419001).

## Upevnění připojovacího kabelu mezi spodní přepětovou ochranou a napájecím zdroje

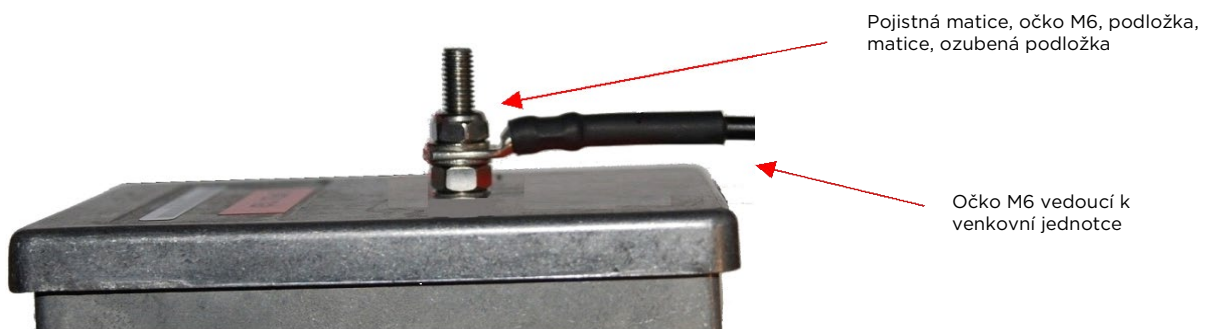
### Montáž spodní přepětové ochrany

Upevněte spodní přepětovou ochranu, uzemněte ji a připojte k ní hlavní připojovací kabel.

- 1 Spodní přepětovou ochranu umístěte maximálně 0,6 metru od vstupního bodu do budovy. Přepětovou ochranu umístěte svisle tak, aby kabelové průchodky směřovaly dolů.



- 2 Připojte hlavní připojovací kabel ke spodní přepětové ochraně podle oddílu Připojení připojovacího kabelu k venkovní jednotce (port PSU) a přepětové ochraně na straně 18.
- 3 Pomocí očka M6 (malého) upevněte jeden zemnicí kabel ke spodní přepětové ochraně. Obě matice dotáhněte na moment 5 Nm.



- 4 Vyberte zemnicí bod na budově poblíž držáku přepětové ochrany. Odstraňte z povrchu nátěr a naneste na něj antikorozi ochrannou. Pomocí očka M10 (velkého) k tomuto bodu upevněte zemnicí kabel od přepětové ochrany.

## Upevnění připojovacího kabelu mezi přepětovou ochranou a napájecím zdrojem

Podle uvedeného postupu opatřete připojovací kabel mezi dolní přepětovou ochranou a napájecím zdrojem na obou koncích konektory RJ45 a na konci u přepětové ochrany na něj nasadte kabelovou průchodku.



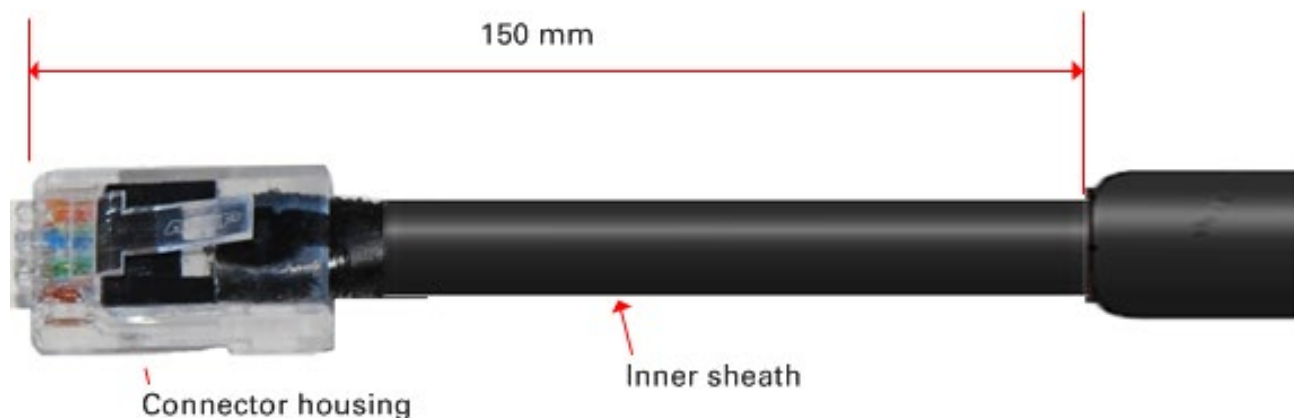
**Varování** Kovové stínění připojovacího kabelu je velmi ostré a může způsobit poranění.

- VŽDY používejte rukavice odolné proti proříznutí (odolnost proti proříznutí si ověřte na jejich štítku).
- VŽDY používejte ochranné brýle. K odizolování kabelu.
- VŽDY používejte nástroj s otočnou čepelí (nepoužívejte nůž s klasickou čepelí).



**Upozornění** Použijte krimpovací kleště vhodné pro konektor RJ45, jinak může dojít k poškození kabelu nebo konektoru.

- 1 Zkraťte připojovací kabel na délku potřebnou k propojení spodní přepětové ochrany a napájecího zdroje.
- 2 Pouze na konci u přepětové ochrany:
  - Opatřete konec kabelu jednou kabelovou průchodkou a jedním konektorem RJ45 podle oddílu Zakončení kabelu konektory RJ45 a průchodkami na straně 19.
  - Připojte tento kabel a průchodku ke spodní přepětové ochraně podle oddílu Připojení připojovacího kabelu k venkovní jednotce (port PSU) a přepětové ochraně na straně 18.
- 3 **Pouze na konci u napájecího zdroje:** Nenasazujte kabelovou průchodku. Odstraňte vnější izolaci kabelu a nasadte vložku konektoru RJ45. Nasadte tělo konektoru RJ45. Aby neohrožilo vytažení kabelu z konektoru, vložte vnitřní izolaci kabelu pod jazýček těla konektoru.



## Změření odporu připojovacího kabelu

Připojte spodní konec měděného připojovacího kabelu CAT5e k vhodné kabelové zkoušečce a ověřte, zda jsou odpory mezi kolíky v mezích uvedených níže. Pokud bude některý z výsledků negativní, zkontrolujte správnost zapojení připojovacího kabelu.

Změřte odpor mezi...	Zapište změřený odpor	Zkouška je úspěšná, když	Zakroužkujte „Vyhovuje“ nebo „Nevyhovuje“	Další testy a poznámky
Kolíky 1 a 2	Ohmů	<20 Ohmů (60 Ohmů) (*1)	Vyhovuje Nevyhovuje	
Kolíky 3 a 6	Ohmů	<20 Ohmů (60 Ohmů) (*1)	Vyhovuje Nevyhovuje	Odpory se od sebe nesmí lišit o více než 10 % (*2). Zakroužkujte „Vyhovuje“ nebo „Nevyhovuje“:
Kolíky 4 a 5	Ohmů	<20 Ohmů (60 Ohmů) (*1)	Vyhovuje Nevyhovuje	Vyhovuje Nevyhovuje
Kolíky 7 a 8	Ohmů	<20 Ohmů (60 Ohmů) (*1)	Vyhovuje Nevyhovuje	
Kolík 1 a stínění (zemnění venkovní jednotky)	K Ohmů	>100K Ohmů	Vyhovuje Nevyhovuje	Tyto meze platí bez ohledu na délku kabelu.
Kolík 8 a stínění (zemnění venkovní jednotky)	K Ohmů	>100K Ohmů	Vyhovuje Nevyhovuje	

(\*1) Odpor 20 Ohmů je maximum povolené pro kabel, který vede ethernet.

Odpor 60 Ohmů je maximum povolené pro kabel, který vede pouze napájení pro venkovní jednotku (když se ethernet vede přes některé jiné rozhraní venkovní jednotky).

(\*2) Zkontrolujte, zda se tyto odpory vzájemně neliší o více než 10 % (nejnižší odpor vynásobte 1,1 – pokud je libovolný odpor vyšší než výsledná hodnota, není podmínka splněna).



## Instalace napájecího zdroje

Použijte jeden z následujících typů napájecích zdrojů (podle instalačního plánu):

- Střídavý napájecí injektor (výrobní číslo N000065L001C).
- Rozšířený střídavo-stejnsměrný napájecí injektor (výrobní číslo C000065L002C).



Upozornění Protože napájecí zdroj není voděodolný, umístěte ho mimo zdroje vlhkosti – buď v budově pro příslušenství nebo ve větrané skříni odolné proti vlhkosti. Neumísťujte napájecí zdroj na místo, kde může dojít k překročení povolené teploty.



Upozornění Ke konektoru napájecího zdroje pro venkovní jednotku nepřipojujte jiná zařízení než venkovní jednotky PTP 650, PTP 670 nebo PTP 700. Jiná zařízení by se mohla poškodit, protože zdroj používá nestandardní způsob přenosu stejnosměrného napájení po ethernetovém vedení.

Ke konektoru pro napájecí zdroj na venkovní jednotce nepřipojujte jiné zařízení než napájecí zdroj Cambium PTP 670. V opačném případě může dojít k poškození venkovní jednotky i připojeného zařízení.

## Připojení střídavého napájecího injektoru

Podle následujícího postupu připojte střídavý napájecí injektor (výrobní číslo N000065L001C):

- 1 Na připojovacím kabelu mezi přepětovou ochranou a zdrojem vytvořte na straně napájecího zdroje odkapávací smyčku. Ta zajistí, že vlhkost stékající po kabelu nevnikne do zdroje.
- 2 (a) Položte střídavý napájecí injektor na vodorovnou plochu. Připojte propojovací kabel mezi přepětovou ochranou a zdrojem k portu na zdroji označeném jako „ODU“.  
(b) Až bude systém připraven na připojení k síti, připojte k portu napájecího zdroje označenému „LAN“ síťový kabel CAT5e:

(a)



(a)



## Připojení rozšířeného střídavo-stejnsměrného napájecího injektoru

Podle následujícího postupu připojte rozšířený střídavo-stejnsměrný napájecí injektor (výrobní číslo C000065L002C):

- 1 Upevněte rozšířený střídavo-stejnsměrný napájecí injektor tak, že ho pomocí čtyř otvorů pro šrouby (dva z nich jsou na obrázku zakroužkované) přišroubujete ke svislému nebo vodorovnému povrchu:



- 2 Na připojovacím kabelu mezi přepětovou ochranou a zdrojem vytvořte na straně napájecího zdroje odkapávací smyčku. Ta zajistí, že vlhkost stékající po kabelu do skříně, nevnikne do zdroje.
- 3 (a) Vyšroubujte pojistný šroub, odklopte kryt a zapojte kabel do portu.  
 (b) Zavřete a přišroubujte kryt.  
 (c) Až bude systém připraven na připojení k síti, připojte k portu napájecího zdroje označenému „LAN“ síťový kabel CAT5e:

(a)



(b) a (c)



## Nastavení venkovní jednotky k provozu v EU

### Vygenerování licenčního klíče pro konkrétní zemi

Zařízení řady PTP 670 používají licenční klíč k aktivaci nových funkcí a k přizpůsobení těch nastavení venkovní jednotky, která se týkají předpisů. Nový licenční klíč obsahuje regulovaná pásma povolená v zemích, kde se zařízení provozuje. Licenční klíč vygenerujete následovně.

#### Postup:

- 1 Otevřete webové stránky podpory společnosti Cambium na adrese:  
<https://support.cambiumnetworks.com/licensekeys/ptp50670>
- 2 Zadejte adresu MAC venkovní jednotky a vyberte zemi, ve které budete spojení PTP nasazovat.
- 3 Potvrďte smluvní podmínky a klikněte na „Submit“ (Odeslat).
- 4 Na stránce „Licence Keys“ (Licenční klíče) najdete svoji venkovní jednotku podle adresy MAC a zkopírujte si vygenerovaný licenční klíč.
- 5 Uložte si licenční klíč (například do textového souboru) pro další použití.

### Nastavení počítače používaného ke správě

Následujícím způsobem nastavte místní počítač používaný ke správě, aby se zařízením PTP 670 komunikoval.

#### Postup:

- 1 Otevřete okno Vlastnosti ethernetového portu. Ve Windows 10 tuto volbu najdete v nabídce Ovládací panely > Síť a **internet** > **Centrum síťových připojení a sdílení** > **Změnit nastavení adaptéru**. Pravým tlačítkem klikněte na ikonu ethernetového adaptéru a vyberte Vlastnosti.
- 2 Vyberte volbu Protokol IP verze 4 (TCP/IPv4):
- 3 Klikněte na Vlastnosti.
- 4 Zadejte IP adresu platnou pro síť 169.254.X.X. Nepoužívejte adresu 169.254.0.0 ani 169.254.1.1. Dobrým příkladem je 169.254.1.3.
- 5 Zadejte masku podsítě 255.255.0.0. Výchozí bránu ponechte nevyplněnou.

### Připojení venkovní jednotky k počítači a její zapnutí

Následujícím způsobem připojte správcovský počítač a zapněte zařízení PTP 670.

#### Postup:

- 1 Zkontrolujte připojení venkovní jednotky a napájecího zdroje.
- 2 Pomocí běžného (nekříženého) ethernetového kabelu propojte ethernetový port počítače s portem „LAN“ napájecího zdroje.
- 3 Připojte napájecí zdroj k elektrické síti nebo k baterii. Rozsvítí se zelená dioda Power (Napájení).
- 4 Zkontrolujte, zda se po zhruba 45 sekundách 10 pomalými zablikáními rozsvítí oranžová dioda Ethernet.
- 5 Zkontrolujte, zda dioda Ethernet poté zůstala svítit.

### Přihlášení k webovému rozhraní

Následujícím způsobem se přihlaste k webovému rozhraní jako správce systému.

**Postup:**

- 1 Na správcovském počítači spusťte webový prohlížeč.
- 2 Do adresního řádku zadejte IP adresu zařízení. Výchozí IP adresa je **169.254.1.1**. Stiskněte Enter. Zobrazí se nabídka webového rozhraní a stránka System Summary (Souhrn systému).
- 3 V nabídce klikněte na volbu **Installation** (Instalace). Zobrazí se přihlašovací stránka obsahující buď pouze pole Password (Heslo) (ve výchozím nastavení), nebo pole Username (Uživatelské jméno) a Password (pokud byly povoleny uživatelské účty na základě identity). Ve výchozím nastavení je heslo prázdné.
- 4 Zadejte uživatelské jméno (je-li to třeba) a heslo (ve výchozím nastavení je prázdné) a klikněte na Login (Přihlásit).

## Aktualizace licenčního klíče a nastavení venkovní jednotky

Následujícím způsobem nahrajte nový licenční klíč a nastavte zisk antény a ztráty na vedení u venkovní jednotky s konektorem.

**Postup:**

- 1 V nabídce klikněte na volbu Installation (Instalace). Klikněte na Continue to Installation Wizard (Pokračovat k průvodci instalací).
- 2 Na stránce Software License Key (Licenční klíč k softwaru) vložte do pole License Key (Licenční klíč) vygenerovaný licenční klíč. Klikněte na Submit (Odeslat) nebo Format (Formátovat).
- 3 V případě integrované venkovní jednotky klikejte na dalších stránkách na Next (Pokračovat), dokud se nezobrazí stránka Wireless Configuration (Nastavení bezdrátového přenosu). Podle toho, v jakém pásmu má jednotka pracovat, nastavte atributy Regulatory Band (Regulované pásmo) a Maximum Transmitter Power (Maximální vysílací výkon). V některých členských státech EU může být dostupné pouze pásmo 5,4 GHz.

Na dalších stránkách klikejte na Next (Pokračovat), dokud se nezobrazí stránka Confirm Installation Configuration (Potvrdit instalační nastavení). Klikněte na volbu Confirm Configuration and Reboot (Potvrdit nastavení a restartovat).

- 4 V případě venkovní jednotky s konektorem klikejte na dalších stránkách na Next (Pokračovat), dokud se nezobrazí stránka Wireless Configuration (Nastavení bezdrátového přenosu). Nastavte atributy Regulatory Band (Regulované pásmo), Antenna Gain (Zisk antény), Cable Loss (Ztráty na vedení) a Maximum Transmitter Power (Maximální vysílací výkon) podle použité antény a kabelů. V některých členských státech EU může být dostupné pouze pásmo 5,4 GHz.

Na dalších stránkách klikejte na Next (Pokračovat), dokud se nezobrazí stránka Confirm Installation Configuration (Potvrdit instalační nastavení). Klikněte na volbu Confirm Configuration and Reboot (Potvrdit nastavení a restartovat).

# Cambium Networks

Společnost Cambium Networks dodává profesionální pevná bezdrátová širokopásmová a mikrovlnná řešení pro zákazníky z celého světa. Naše řešení fungují v tisících sítích ve více než 153 zemích, kde naše inovativní technologie zajišťují spolehlivou, bezpečnou a cenově efektivní konektivitu. Jejich instalace je snadná a zaručeně přináší skvělý výkon.

Naše oceňovaná rádiová řešení typu Point to Point (PTP) pracují v licencovaných i bezlicenčních frekvenčních pásmech a v pásmech se specifickým použitím včetně speciálních řešení FIPS 140-2 pro americký federální trh. Řešení typu PTP díky své vysoké odolnosti nabízejí 99,999% dostupnost. S dokonalou spolehlivostí zajišťují vysokorychlostní páteřní spojení i v těch z hlediska vysokofrekvenčních přenosů nejnáročnějších nepřímých prostředích.

Flexibilní řešení typu Point-to-Multipoint (PMP) pracují v licenčních, bezlicenčních a federálních frekvenčních pásmech a zajišťují spolehlivé, bezpečné a cenově výhodné fungování přístupových sítí. V sítích na celém světě jsou nainstalované více než tři miliony modulů. Řešení přístupových sítí typu PMP se osvědčila v každodenním provozu v obytných oblastech, jako náhrada pronajatých linek i v oblasti video dozoru a infrastruktury chytrých sítí.

Řešení od společnosti Cambium Networks jsou osvědčenou a respektovanou jedničkou v oboru bezdrátových širokopásmových sítí. Vytváříme, vyrábíme a dodáváme inovativní řešení pro datovou, hlasovou a video konektivitu, která umožňují a zajišťují každodenní komunikaci a napomáhají osobnímu, obchodnímu i komunitnímu rozvoji v podstatě po celém světě.

Uživatelské příručky: <http://www.cambiumnetworks.com/guides>

Odborná školení: [http://www.cambiumnetworks.com/technical\\_training](http://www.cambiumnetworks.com/technical_training)

Webová stránka podpory: <https://support.cambiumnetworks.com>

Hlavní webová stránka: <http://www.cambiumnetworks.com>

Dotazy ohledně prodeje: [solutions@cambiumnetworks.com](mailto:solutions@cambiumnetworks.com)

Dotazy ohledně podpory: <https://support.cambiumnetworks.com>

Seznam telefonních čísel: <http://www.cambiumnetworks.com/contact-us/>

Adresa: Cambium Networks Limited,  
Linhay Business Park,  
Eastern Road,  
Ashburton,  
Devon, Velká Británie (UK),  
TQ13 7UP

phn-4835 000v002

Prosinec 2018

**Exactitude**

Bien qu'un effort raisonnable ait été fait pour s'assurer de l'exactitude de ce document, Cambium Networks n'endosse aucune responsabilité pour toute imprécision ou omission pouvant figurer dans ce document ou de l'utilisation des informations obtenue dans celui-ci. Cambium Networks se réserve le droit d'effectuer des modifications à tout produit décrit ci-après dans le but d'améliorer la fiabilité, la fonctionnalité ou la conception, et se réserve le droit de réviser ce document et d'en modifier périodiquement le contenu sans obligation de notifier quiconque des dites révisions ou changements. Cambium Networks n'endosse aucune responsabilité résultant de l'application ou utilisation de tout produit, logiciel, ou circuit décrit ci-après, et il n'en résulte aucune concession de licence sous ses droits de brevet ou les droits de tiers. Cette publication peut éventuellement contenir des informations liées ou des références aux produits (appareils et programmes), la programmation ou les services de Cambium Networks qui n'ont pas été annoncés dans votre pays. De telles références ou informations ne doivent pas être considérées comme impliquant l'intention de Cambium Networks d'annoncer les dits produits, programmations, ou services de Cambium Networks dans votre pays.

**Copyright**

Ce document, les produits de Cambium Networks et les autres produits logiciels de tierces parties décrits dans ce document peuvent inclure ou décrire des programmes informatiques sous copyright de Cambium Networks ou fournis par une tierce partie étant stockés dans la mémoire d'un semi-conducteur ou sur un autre support. Les lois des États-Unis et d'autres pays préservent certains droits exclusifs pour les matériels sous copyright à Cambium Networks, ses concédants et autres logiciels fournis par tierces parties, y compris le droit exclusif de copier, de reproduire sous une forme quelconque, de distribuer et de réaliser des travaux dérivés des matériels sous copyright. En conséquence, tout matériel sous copyright de Cambium Networks, ses concédants, ou les logiciels de tierces parties fournis contenus dans les produits de Cambium Networks décrits dans ce document ne sauraient être copiés, reproduits, soumis à une ingénierie inverse, distribués, fusionnés ou modifiés de quelque manière que ce soit sans le consentement express par écrit de Cambium Networks. En outre, l'achat de produits de Cambium Networks ne saurait être considéré concéder, que ce soit directement par voie de conséquence, estoppel ou autre, une licence sous le copyright, les brevets ou les applications de brevets de Cambium Networks ou tout autre logiciel fourni par tierce partie, à l'exception de la licence normale, non exclusive et libre de royalties qui résulte de la vente d'un produit dans le cadre légal prévu par la loi.

**Restrictions**

Le logiciel et la documentation sont des supports couverts par le copyright. La loi interdit d'en faire des copies non autorisées. Aucune partie du logiciel ou de la documentation ne peut être reproduite, transmise, transcrite, stockée dans un système d'extraction d'informations, ou traduite dans une langue ou un langage informatique quelconque, sous toute forme ou par tout moyen, sans la permission écrite préalable de Cambium Networks.

**Accords de licence**

Le logiciel décrit dans ce document est la propriété de Cambium Networks et de ses concédants. Il est fourni uniquement par accord de licence express et peut uniquement être utilisé conformément avec les termes de cet accord.

**Supports à haut risque**

Cambium et son/ses fournisseur(s) n'endossent aucune garantie expresse ou implicite d'adéquation pour toute activité à haut risque de ses produits, y compris, sans s'y limiter, l'exploitation des installations nucléaires, la navigation aérienne ou les systèmes de communication aérien, le contrôle du trafic aérien, les systèmes de survie ou les systèmes d'armes (« Usage à haut risque »). Tout usage à haut risque est non autorisé, effectué à vos risques et périls, et vous êtes seul responsable pour toute perte, dommage ou réclamation survenant à la suite d'un usage à haut risque.

## Remarques

### À propos de ce guide de démarrage rapide

Ce guide de démarrage rapide décrit comment installer l'équipement de site pour les liaisons par PTP série 670. Les utilisateurs de ce guides sont tenus de suivre les bonnes pratiques pour les installations radio en extérieur.

Dans les configurations plus avancées, il se peut que une ou deux interfaces Ethernet supplémentaires soit connectée à l'ODU: une au port SFP (cuivre ou optique) et une au port AUX. Pour les détails de ces configurations, veuillez-vous référer au Guide de l'utilisateur pour la série PTP 670.

Ce guide de démarrage rapide décrit comment déployer la PTP 670 dans les pays suivants:

- Irlande
- Norvège
- Royaume-Uni (RU)

Des guides de démarrage rapide pour la PTP 670 sont disponibles pour les autres états membres de l'UE. Veuillez consulter

<http://www.cambiumnetworks.com/guides>

### Usage prévu

La radio PTP série 670 de Cambium Networks prend en charge la transmission des données sur liaisons par micro-onde point-à-point (PTP). Cet équipement radio est destiné aux applications professionnelles pour installations extérieures fixes uniquement. Ces radios sont disponibles avec une antenne intégrée ou comme unité à connecter à une antenne externe.

## Exploitation dans l'UE

### Bandes de fréquences, Puissance maximale de fonctionnement, Distance de sécurité

Les produits PTP série 670 fonctionnent sur les bandes de fréquences suivantes jusqu'à la puissance maximale indiquée :

Bande de fréquences de fonctionnement	Norme UE	Limite de puissance maximale (PIRE)	Usage permis	Distance de sécurité minimale
5470 - 5600 MHz 5650 - 5725 MHz	EN 301 893	1 watt/30 dBm	Unlicensed.	0 cm

### Restrictions et exigences pour l'autorisation d'utilisation

Cet équipement est réservé à un usage extérieur uniquement.

Les produits PTP de série 670 de Cambium peuvent être configurés pour fonctionner en bandes de fréquences avec ou sans licence, sous réserve de la planification des fréquences de chaque pays. Les opérateurs et utilisateurs doivent s'assurer que l'équipement est installé et exploité conformément à la réglementation en vigueur dans le pays d'opération et obtenir toutes les autorisations ou licences.

### Antennes pour les unités connectées

Les ODU PTP 670 connectées sont conçues pour être connectées à une antenne à double polarisation employant la polarisation verticale et horizontale. Les radios ont été testées concernant la conformité à la réglementation de l'UE avec les types d'antennes listées ci-dessous. Le gain maximum de chaque antenne est indiqué. Vous pouvez utiliser des antennes d'un gain équivalent ou inférieur et du même type d'antenne. Ne pas

utiliser d'antenne avec un gain supérieur. Afin de réduire les interférences radio potentielles avec les autres utilisateurs, le type d'antenne et son gain doivent être choisis de sorte que la puissance isotrope rayonnée équivalente (PIRE) ne soit pas supérieure à ce qui est nécessaire pour la réussite des communications.

Type d'antenne	Gain d'antenne du fabricant (dBi)		
	Bande 4,9 Ghz, Bande 5,1 Ghz	Bande 5,4 Ghz	Bande 5,8 GHz
Antenne parabolique 6 pieds (1,8 m)	36,0	Non compatible	38,1
Antenne parabolique 4 pieds (1,2 m)	32,6	34,9	35,3
Plane	23,0	23,0	23,0
Sectorisée	17,0	17,0	17,0
Omnidirectionnelle	13,0	13,0	13,0

## Antennes paraboliques recommandées

Les antennes paraboliques suivantes conviennent pour une utilisation avec les ODU connectées PTP 670, sujet au gain maximum d'antenne indiqué ci-dessus.

Numéro de pièce Cambium	Description
RDH4503B	5,25-5,85 GHz 2 pieds (0,6 m), 29,0 dBi, double-polarisation, pol h & pol v, avec ajustements fins
RDH4504B	5,25-5,85 GHz 3 pieds (0,9 m), 32,5 dBi, double-polarisation, pol h & pol v
RDH4505B	5,25-5,85 GHz 4 pieds (1,2 m), 34,9 dBi, double-polarisation, pol h & pol v
RDH4506B	5,25-5,85 GHz 6 pieds (1,8 m), 37,9 dBi, double-polarisation, pol h & pol v
RDH4508B	5,25-5,85 GHz 2 pieds (0,6 m), 28,8 dBi, haute performance, double-polarisation
RDH4509B	5,25-5,85 GHz 3 pieds (0,9 m), 32,3 dBi, haute performance, double-polarisation
RDH4510B	5,25-5,85 GHz 4 pieds (1,2 m), 34,7 dBi, haute performance, double-polarisation
RDH4511B	5,25-5,85 GHz 6 pieds (1,8 m), 37,7 dBi, haute performance, double-polarisation

## Configuration de l'ODU

Veuillez observer les importantes instructions suivantes lors de l'installation. Cela permettra de régler l'équipement conformément aux réglementations nationales.

- S'assurer que la dernière version du micrologiciel est installée sur l'ODU. Le micrologiciel est disponible sur le site Internet du Centre d'assistance de Cambium, consulter le lien ci-dessous.
- Lors de l'installation de l'équipement, vérifier que l'ODU est la variante régionale spécifique à l'UE. Utiliser le Centre d'assistance de Cambium pour générer une clé de licence spécifique pour le pays dans lequel le produit est utilisé. Installer la clé de licence dans l'ODU. La clé de licence va déverrouiller des bandes réglementées supplémentaires qui sont autorisées dans le pays d'utilisation.
- Pour les unités connectées, entrer le gain d'antenne et la perte de câble dans les attributs Gain d'antenne et Perte de câble sur la page de Configuration système de l'interface basée sur le web.

## Déclaration de conformité de l'UE simplifiée

Par les présentes, le fabricant Cambium Networks Ltd, déclare que les équipements radio de types 5 GHz PTP 670 ODU connectée et 5 GHz PTP 670 ODU intégrée sont en conformité avec la Directive 2014/53/UE. Le texte complet de la déclaration de conformité de l'UE est disponible sur :

<http://www.cambiumnetworks.com/support/compliance/>



## Installation professionnelle

L'installation et le fonctionnement de ce produit sont complexes. Merci de suivre les instructions contenues dans ce manuel. S'assurer que le fonctionnement est conforme aux règlements du pays dans lequel le produit est installé. S'assurer que l'installateur dispose des compétences, connaissances et expériences appropriées pour effectuer les tâches d'installation, y compris :

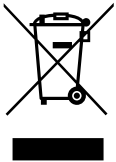
- Sa familiarité avec les réglementations nationales applicables en cours, incluant les normes radio, les normes d'installation électrique, les normes de protection contre les surtensions et les normes de « travaux en hauteur » ;
- L'installation en conformité avec les instructions de Cambium Networks ;
- La confirmation que les réglages de l'équipement sont conformes aux réglementations nationales ou régionales.

## Documentation de l'utilisateur

Pour obtenir les instructions complètes de planification d'installation de la PTP 670 ainsi qu'une liste de composants, télécharger le *Guide de l'utilisateur pour la PTP série 670* depuis :

<http://support.cambiumnetworks.com/files/ptp670>

## Mise au rebut des équipements électriques et électroniques (DEEE)



Veillez ne pas jeter des équipements électroniques et électriques ou les accessoires électroniques et électriques avec vos déchets ménagers. Dans certains pays ou régions, des systèmes de collecte ont été mis en place pour gérer les déchets d'équipements électriques et électroniques. Dans les pays de l'Union européenne, veuillez contacter votre représentant local fournisseur d'équipements ou votre Centre d'assistance Cambium Networks pour plus d'informations sur le système de collecte des déchets de votre pays.

Pour obtenir les instructions concernant la mise au rebut des produits usagés, veuillez-vous référer à :

<http://www.cambiumnetworks.com/support/weee-compliance>

## Sécurité



Attention Sous peine de décès ou de blessure physique, veuillez-vous conformer aux consignes de sécurité ci-dessous. Sous aucune circonstance Cambium Networks ne saurait être tenue responsable pour toute blessure ou dommage subi lors de l'installation de la Cambium PTP 670. S'assurer que l'installation de la liaison PTP 670 est réalisée exclusivement par un personnel qualifié.

### Lignes électriques

Être extrêmement prudent lors de travaux près de lignes électriques.

### Travaux en hauteur

Faire très attention lors des travaux en hauteur.

### PSU

Toujours utiliser l'injecteur d'alimentation CA ou l'injecteur d'alimentation amélioré CA+CC pour alimenter l'ODU. Le fait de ne pas utiliser une PSU fournie par Cambium pourrait endommager l'équipement et entraînera l'invalidité de la certification de sécurité, et est une cause de risque potentiel.

## Mise à la terre

L'Unité extérieure (ODU) doit être correctement reliée à la terre afin qu'elle soit protégée contre la foudre. Il est de la responsabilité de l'utilisateur d'installer l'équipement conformément aux réglementations nationales. Aux États-Unis, suivre les exigences du National Electrical Code NFPA 70-2005 et 780-2004 *Installation de systèmes de protection contre la foudre*. Au Canada, suivre la section 54 du *Canadian Electrical Code*. Ces codes décrivent les procédures d'installation correctes pour la mise à la masse de l'unité extérieure, du mât, du câble d'arrivée et de l'unité de décharge, la taille des conducteurs de masse et les exigences de connexion pour les électrode de masse. D'autres réglementations peuvent s'appliquer dans différents pays, c'est pourquoi nous vous recommandons de faire effectuer l'installation de l'unité extérieure par un installateur professionnel.

## Alimentation CC

Pour alimenter l'ODU depuis une alimentation CC, utiliser l'injecteur d'alimentation amélioré CA+CC (PSU) (numéro de pièce Cambium C000065L002C). S'assurer que l'alimentation CC remplit les exigences spécifiées dans le *Guide de l'utilisateur pour la PTP série 670*.

## Mise hors tension avant l'entretien

Avant de procéder à l'entretien de la PTP 670, toujours désactiver l'alimentation électrique et la débrancher de la PSU. Ne pas déconnecter les connecteurs du câble de liaison RJ45 de l'ODU lorsque la PSU est connectée à l'alimentation électrique. Toujours retirer l'alimentation électrique d'entrée CA ou CC de la PSU.

## Dispositif de déconnexion primaire

L'alimentation principale est le dispositif de déconnexion primaire. L'injecteur d'alimentation amélioré CA-CC comporte un fusible à l'arrivée CC. Certaines installations requerront également l'ajout d'un coupe-circuit supplémentaire ou d'un commutateur d'isolation dans l'alimentation CC.

## Câbles externes

La sécurité peut être compromise si des câbles non prévus pour l'extérieur sont utilisés pour les connexions qui seront exposées à l'environnement extérieur. Pour les interfaces extérieures en cuivre Ethernet Cat. 5e, toujours utiliser un câble Cat. 5e rempli de gel et blindé en acier plaqué cuivre. Cambium Networks signale par ailleurs que les autres câbles de liaison ne peuvent pas être utilisés avec la PTP 670.

Toujours faire appel à un électricien qualifié pour installer le câblage CA.

## Testeur de câble de liaison

Il ne faut JAMAIS utiliser un testeur de câble de liaison du côté de l'ODU lorsque celle-ci est connectée à l'alimentation électrique depuis la PSU. Il doit uniquement être utilisé au pied du mât avec un multimètre. La raison est que la tension de la PSU excède les limites admises dans certains pays (celles-ci visant à assurer une manipulation sans danger dans un environnement humides) et peut donc créer des risques de sécurité.

## Exposition RF près de l'antenne

De forts champs de rayonnement radio (RF) sont présents près de l'antenne lorsque l'émetteur est en marche. Toujours mettre hors tension l'ODU avant d'entreprendre des activités de maintenance devant l'antenne.

## Distance de séparation minimale

S'assurer que le personnel n'est pas exposé à des niveaux dangereux d'énergie RF. Les unités commencent à émettre de l'énergie RF dès leur mise sous tension. Ne jamais travailler devant l'antenne lorsque l'ODU est sous tension. Installer l'ODU de façon à assurer et conserver les distances de séparation minimales avec les personnes.

## Exigences pour la mise à la masse et la protection contre la foudre

S'assurer que l'installation remplit les exigences définies dans le *Guide de l'utilisateur pour la PTP série 670*.

## Méthodes d'installation du câble de masse

Afin d'assurer une protection efficace contre les surtensions causées par la foudre, observer ces prérequis :

- Les conducteurs de masse doivent être aussi courts, droits et lisses que possibles en limitant autant que possible les virages et les courbes.
- Les câbles de masse ne doivent pas être installés avec des boucles d'égouttage.
- Toutes les courbures doivent avoir un rayon minimal de 203 mm (8 po) et un angle minimum de 90°. Une section en diagonale est préférable à une courbe, même si elle ne respecte pas le contour ou ne court pas parallèlement à la structure porteuse.
- Tous les virages, courbes et connexions doivent être acheminés vers le système d'électrodes de la masse, tige de masse ou barre de masse.
- Les conducteurs de la masse doivent être solidement fixés.
- Ne pas utiliser des conducteurs de masse tressés.
- Utiliser des techniques d'assemblage approuvées pour la connexion de métaux dissemblables.

### Emplacement de l'ODU et des antennes

L'ODU et les antennes externes ne sont pas conçues pour supporter un impact de foudre direct. Pour cette raison, elles doivent être installées dans la zone B, tel que définie dans le *Guide de l'utilisateur de la PTP série 670*. Le montage dans la zone A peut mettre en danger l'équipement, la structure et la vie des personnes.

### Vitesses de vent tolérables

S'assurer que l'ODU et la structure sur laquelle elle est montée peuvent résister aux vitesses de vent maximales du site proposé.

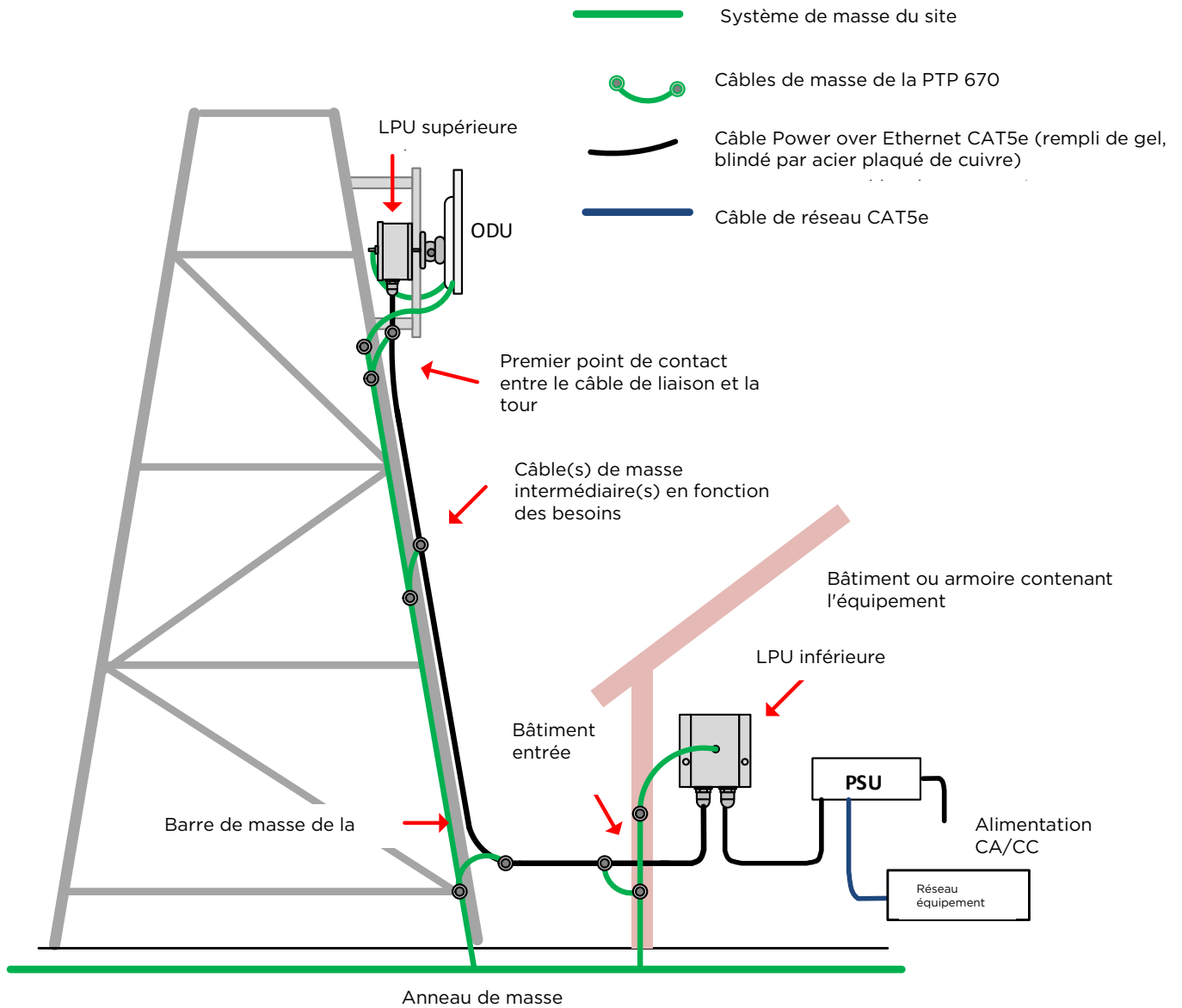
### Température de surface

L'enveloppe de l'ODU peut être chaude au toucher lorsqu'elle est en marche.

## Fabricant de l'équipement

Cambium Networks Ltd, Unit B2 Linhay Business Park, Easter Road, Ashburton, Devon, TQ13 7UP, Royaume-Uni.

## Installations typiques



Typiquement, un site pour la PTP 670 consiste en une structure supportrice élevée, telle qu'un mât, une tour ou un bâtiment pour l'équipement extérieur (ODU et antenne externe optionnelle) ; et un bâtiment d'équipement ou une enceinte à l'épreuve de l'humidité pour l'équipement intérieur (PSU), tel qu'illustré ici dans une installation typique de mât ou de tour :



**Note** Ces instructions supposent que les LPU sont installées à partir du kit de LPU et de mise à la masse (numéro de pièce Cambium C000065L007A). Dans le cas où l'installation ne requiert pas de LPU, adapter ces instructions en conséquence.

En cas d'installation de LPU, utiliser uniquement les presse-étoupes EMC capuchonnés de noir fournis dans le kit de LPU et de mise à la masse. Les presse-étoupes protégés par une couche d'argent fournis dans les kits d'ODU sont à utiliser uniquement dans les installations de PTP 670 ne nécessitant pas de LPU.

## Variantes d'ODU et options de montage sur support

### Variantes d'ODU

L'ODU de la PTP 670 est fournie sous deux plateformes différentes.

La PTP 670 ODU intégrée est reliée à une antenne plate 23 dBi et elle est prévue pour les liaisons difficiles de moyenne et longue portée et pour les besoins des liaisons traditionnelles exigeant une haute capacité et un budget élevé de liaison. L'antenne intégrée représente une solution pratique facile à déployer lorsque le gain supplémentaire des antennes externes n'est pas nécessaire.

#### ODU intégrée (4,8 à 5,9 Ghz)



#### ODU intégrée (4,9 à 6,05 Ghz)



L'ODU connectée PTP 670 est prévue pour fonctionner avec les antennes externes montées séparément. Les antennes externes offrent généralement un gain supérieur aux antennes intégrées, ce qui permet à la PTP 670 de fonctionner dans des conditions radio plus difficiles.



### Options de supports de montage

La série PTP 670 peut utiliser trois options de support de montage. Sélectionner la disposition de support de montage optimale en fonction du diamètre de mât et de la variante d'ODU à monter :

Support	Diamètre de mât	Variante d'ODU	Numéro de pièce du support
Assemblage de support inclinable	40 mm à 77 mm (1,6 po à 3,0 po)	PTP 670 intégrée PTP 670 connectée	N000045L002A
Assemblage de support inclinable avec bandes de compression	90 mm à 230 mm (3.6 inches à 9.0 inches)	PTP 670 intégrée PTP 670 connectée	N000045L002A + bandes de serrage (fournisseur tiers)
Support de montage (Intégrée)	40 mm to 82 mm (1.6 inches à 3.2 inches)	PTP 670 intégrée	N000065L031A



Note L'assemblage de support inclinable est inclus dans les kits de PTP 670 intégrée et connectée. Si nécessaire, commander le support de montage (version intégrée) séparément.



Note L'assemblage de support inclinable permet d'ajuster l'angle d'élévation pour l'ODU intégrée de  $-17^{\circ}$  à  $+26^{\circ}$ . Le support de montage (version intégrée) permet d'ajuster l'angle d'élévation de  $-26^{\circ}$  à  $+41^{\circ}$ .

## Installation de l'ODU et de la LPU supérieure

### Connexion des câbles de masse à l'ODU

- 1 Fixer un câble de masse à chaque point de mise à la masse de l'ODU à l'aide des (petites) cosse M6 : l'une d'elle correspond à la LPU supérieure (cosse M6 à l'autre extrémité) et l'autre est pour la tour ou le bâtiment (cosse M10 à l'autre extrémité). L'ordre de fixation des câbles de masse sur les points de mise à la masse est indifférent.
- 2 Serrer les deux boulons des cosse de masse à un couple de 5,0 Nm (3,7 lb-pi).



### Montage de l'ODU sur le mât

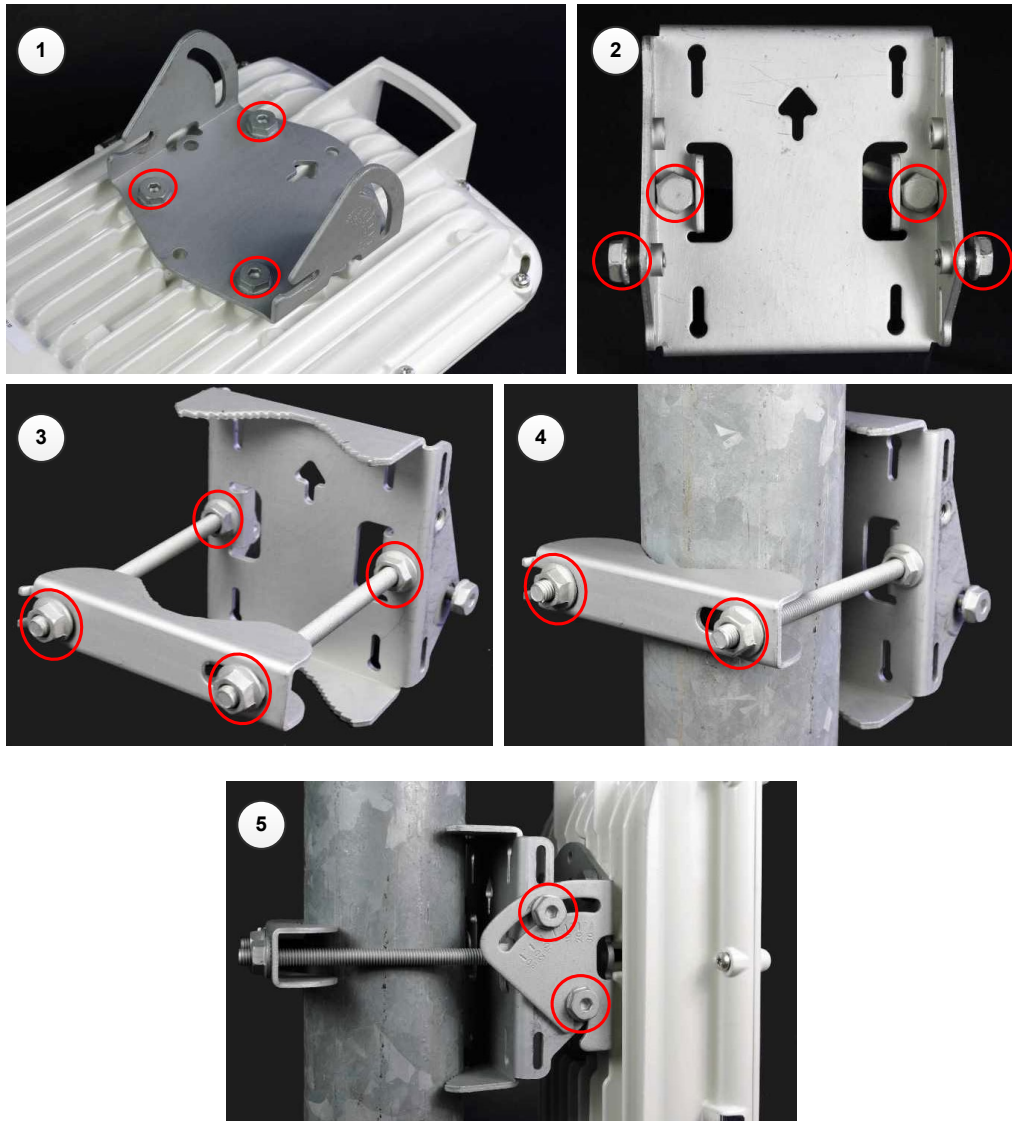
Sélectionner le dispositif de montage le plus approprié parmi les options de montage présentées dans Options de supports de montage à la page 72. Se référer aux procédures individuelles ci-dessous pour chaque option :

- Assemblage de support inclinable à la page 71
- Assemblage du support inclinable avec bandes de serrage page 72
- Support de montage (Version intégrée) à la page 73

Il est possible d'adapter les procédures de montage pour fixer l'ODU à un mât horizontal adapté, mais l'ajustement de l'angle d'azimut est nécessairement limité comparé à une installation sur un mât vertical.

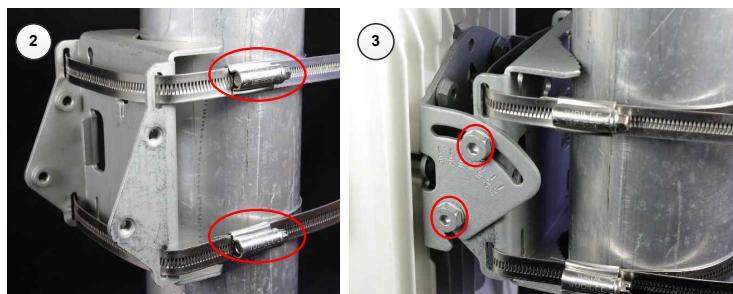
#### Assemblage de support inclinable

- 1 Fixer la plaque de montage du support inclinable au dos de l'ODU avec quatre des petits boulons, en vous Assurant que la flèche de la plaque pointe vers le haut de l'ODU. Serrer les quatre boulons à un couple de 5,0 Nm (3,7 lb-pi) avec une clé ou une douille de 13 mm.
- 2 Enfiler les deux boulons longs à travers le corps du support, de sorte que les têtes des boulons s'engagent dans les fentes tel qu'indiqué. Fixer deux des boulons courts sur les côtés du corps du support, mais ne pas les serrer.
- 3 Enfiler deux des écrous sur les boulons longs et serrer contre le corps du support, à l'aide d'une clé de 13 mm. Fixer la contre-attache du support et enfiler les écrous restants sur les boulons longs.
- 4 Fixer le corps du support assemblé au mât, ajuster l'angle d'azimut, et serrer les écrous à un couple de 10,0 Nm (7,4 li-pi) à l'aide d'une clé de 13 mm, en vous assurant que la flèche sur le corps pointe vers le haut.
- 5 Hisser l'ODU à la position de montage. Fixer la plaque de montage sur le corps du support en positionnant les fentes ouvertes aux extrémités sur les petits boulons. Insérer les petits boulons restants par les fentes incurvées plus longues et dans les trous filetés dans le corps du support. Ajuster l'angle d'élévation, et serrer les boulons à un couple de 8,0 Nm (5,9 li-pi) à l'aide d'une clé ou d'une douille 13 mm.



### Assemblage de support inclinable avec bandes de serrage

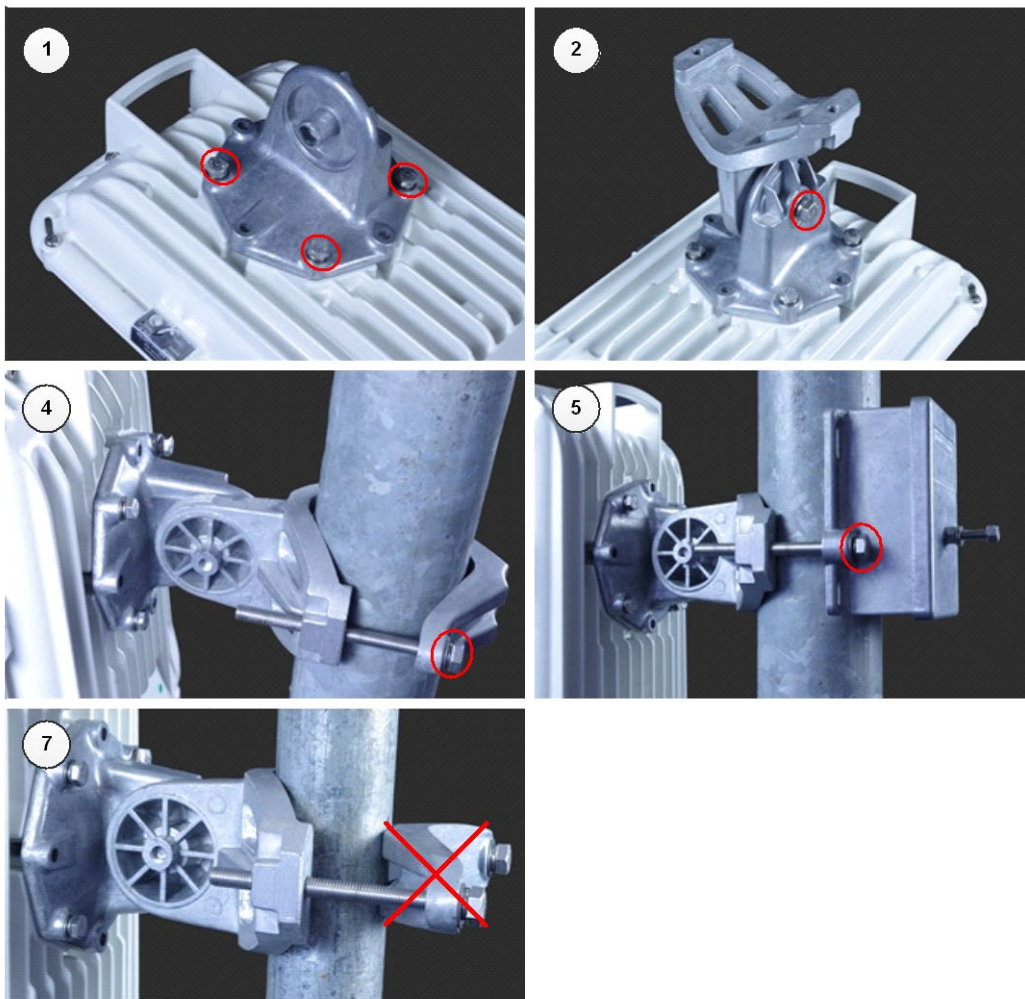
- 1 Suivre l'étape 1 pour la procédure de l'assemblage de support inclinable ci-dessus.
- 2 Passer les bandes de serrage (non fournie par Cambium) par les fentes du corps du support. Fixer le corps du support au mât à l'aide des bandes de serrage, en prenant garde à ce que la flèche du corps soit orientée vers le haut. Ajuster l'angle d'azimut, et serre les bandes à un couple de 6,0 Nm (4,5 li-pi).
- 3 Hisser l'ODU à la position de montage. Fixer la plaque de montage sur le corps du support avec quatre des petits boulons, à l'aide d'une clé ou une douille de 13 mm. Ajuster l'angle d'élévation, et serrer les boulons à un couple de 8,0 Nm (5,9 li-pi).





## Support de montage (Version intégrée)

- 1 Fixer la plaque de montage au dos de l'ODU avec les quatre boulons ainsi que les rondelles simples et à ressort fournies. S'assurer de placer la rondelle à ressort entre la tête du boulon et la rondelle simple. Serrer les boulons à un couple de 5,0 Nm (3,7 li-pi).
- 2 Fixer le corps du support à la plaque de montage au moyen du boulon M8 et des rondelles simple et à ressort. S'assurer de placer la rondelle à ressort entre la tête du boulon et la rondelle simple
- 3 Hisser l'ODU à la position de montage.
- 4 Fixer le corps du support au mât au moyen de la contre-attache, des boulons M8 et des rondelles simples et à ressort. S'assurer de placer la rondelle à ressort entre la tête du boulon et la rondelle simple. Pour un montage dos à dos, utiliser la LPU à la place de la contre-attache.
- 5 Aligner visuellement en ajustant l'élévation et l'azimut. Serrer les trois boulons du support à un couple de 8,0 Nm (6,0 li-pi).



Attention Ne pas inverser la contre-attache, tel qu'indiqué à la vignette 7 ci-dessous, cette disposition pourrait ne pas permettre l'assemblage. Ne pas serrer excessivement les boulons, cela pourrait vous empêcher de réaliser l'assemblage.

## Montage de la LPU supérieure

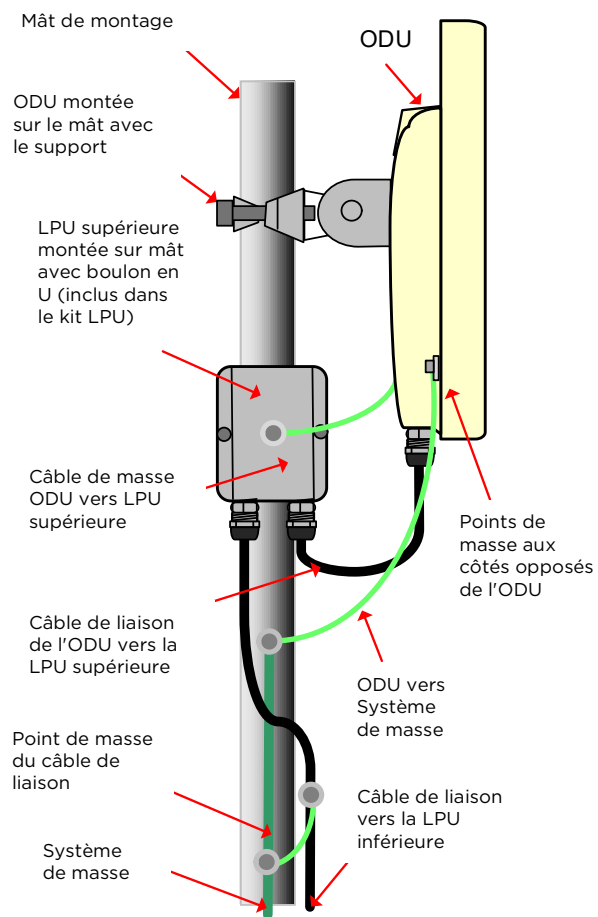
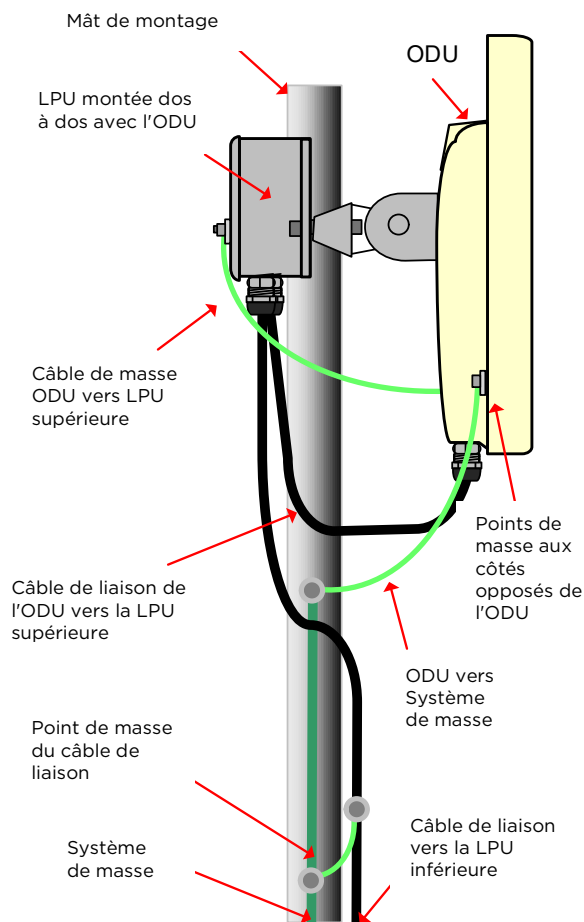
Pour un montage séparé de la LPU, utiliser le boulon de support en U du kit de la LPU afin de monter la LPU supérieure sur le mât en dessous de l'ODU. Serrer à un couple de 7,0 Nm (5,2 li-pi) :



## Interconnexion et mise à la masse de l'ODU et de la LPU supérieure

Option 1 : dos à dos

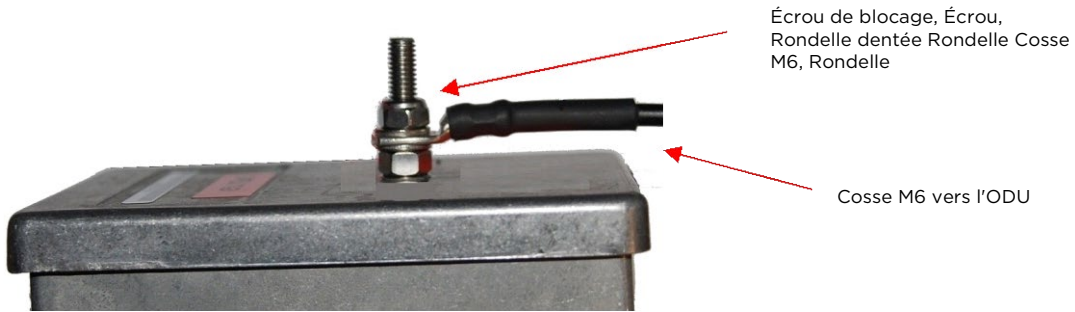
Option 2 : séparées





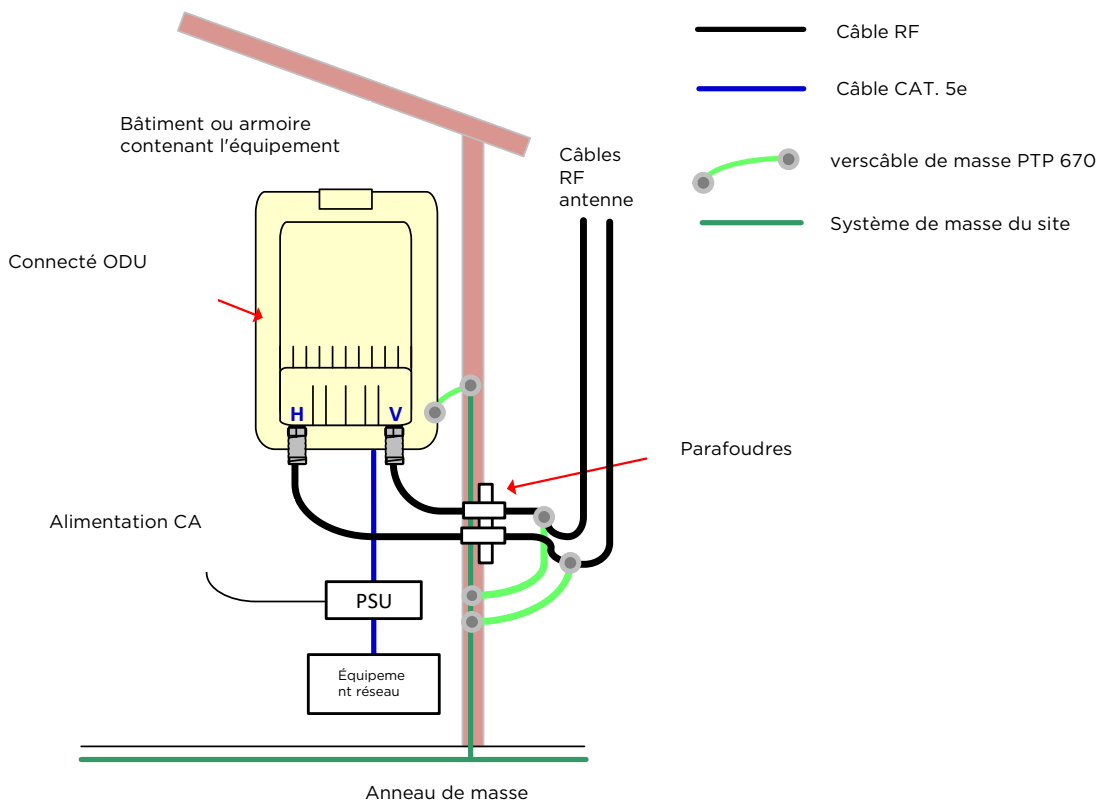
Attention Ne pas connecter les câbles de masse aux boulons du support de montage de l'ODU, car cela ne permet pas une protection complète.

- 1 Fixer le câble de masse de l'ODU sur la LPU supérieure avec la (petite) cosse M6. Serrer les deux écrous à un couple de 5 Nm (3,7 li-pi) :

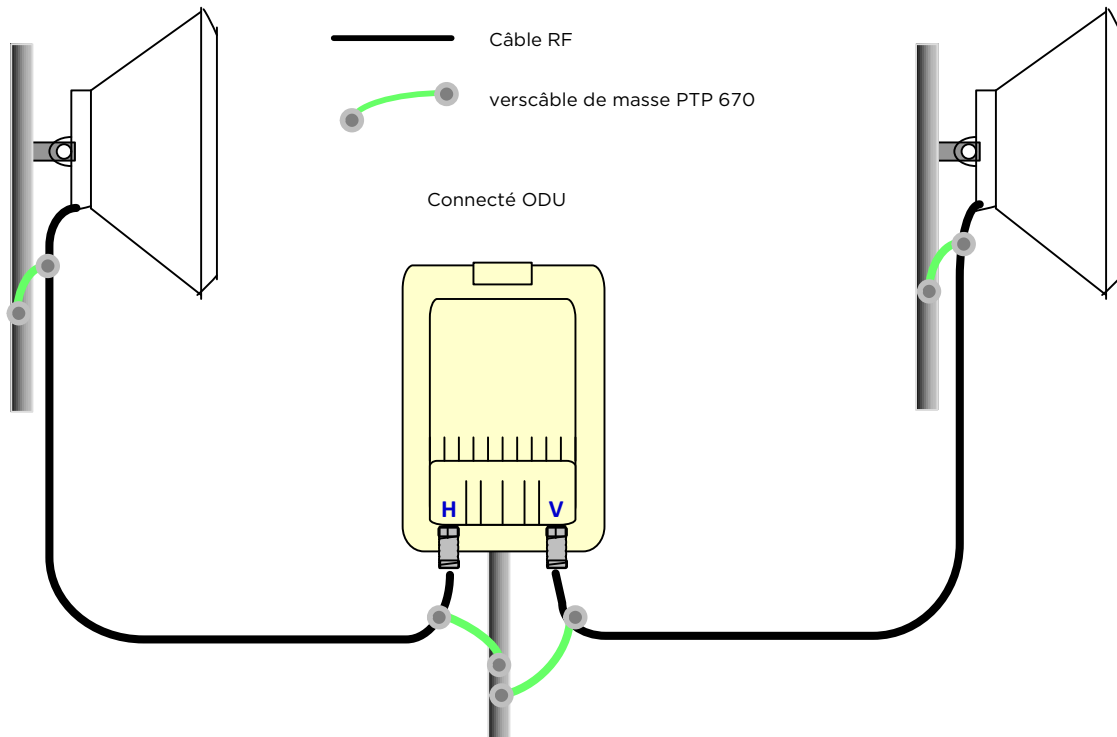


- 2 Sélectionner un point de masse de la tour ou du bâtiment dans un rayon de 0,3 mètres (1 pi) du support de l'ODU. Retirer la peinture de la surface et appliquer un composé anti-oxydant. Fixer le câble de masse de l'ODU à ce point avec la (grande) cosse M10.
- 3 Si votre réglementation locale impose la mise à la masse indépendante de tous les appareils, ajouter un troisième câble de masse pour connecter la LPU supérieure directement au système de masse.

## Installation des antenne externes pour une ODU connectée



- 1 Monter l'antenne (ou les antennes) conformément aux instructions du fabricant. Si vous utilisez des antennes séparées pour réaliser la diversité spatiale, en monter une avec polarisation horizontale et l'autre avec polarisation verticale.
- 2 Connecter les interfaces H et V de l'ODU à l'antenne (ou aux antennes) avec un câble RF de type CNT 400 (numéros de pièces Cambium 30010194001 et 30010195001) et des connecteurs de type N (numéro de pièce Cambium 09010091001). Serrer les connecteurs de type N à un couple de 1,7 Nm (1,3 li-pi) à l'aide d'une clé 24 mm (0,9 po).
- 3 Si l'ODU est montée en intérieur, installer des parafoudres aux points d'entrée du bâtiment :
- 4 Former des boucles d'égouttage près des extrémités basses des câbles d'antenne. Cela afin que l'eau ne s'écoule pas jusqu'aux connecteurs.
- 5 Si l'ODU est montée à l'extérieur, étanchéifier les connecteurs type N (lorsque vous avez aligné l'antenne) avec de la bande PVC et de la bande caoutchouc auto-amalgamante.
- 6 De la même façon, étanchéifier les connecteurs de l'antenne (sauf si le fabricant de l'antenne préconise une méthode différente).
- 7 Relier les câbles d'antenne à la masse sur la structure porteuse dans un rayon de 0,3 mètres (1 pied) de l'ODU et des antennes en utilisant le kit de masse Cambium (numéro de pièce 01010419001) :



- 8 Fixer les câbles d'antenne à la structure porteuse en suivant la procédure en vigueur pour le site. S'assurer que l'ODU ou les connecteurs d'antenne ne subissent pas de contrainte excessive. S'assurer que les câbles ne balancent pas dans le vent, ceci étant une cause potentielle de dommages ainsi que de vibrations indésirables dans la structure porteuse.

## Installation de l'interface cuivre Ethernet Cat. 5e

Pour installer l'interface cuivre Ethernet Cat. 5e, suivre la procédure suivante :

- Installer le câble de liaison de l'ODU vers la LPU supérieure à la page [77](#)
- Installer le câble de liaison principal à la page [79](#)
- Installer le câble de liaison de la LPU inférieure à la PSU à la page [81](#)
- Tester la résistance dans le câble de liaison à la page [82](#)



Attention Afin d'éviter d'endommager l'installation, ne pas connecter ou déconnecter le câble de liaison lorsque la PSU ou l'équipement de terminaison de réseau sont sous tension.



Attention Ne pas connecter le câble de liaison SFP ou Aux à la PSU, ceci pouvant endommager l'équipement.



Attention Toujours utiliser un câble Cat. 5e rempli de gel et blindé par acier plaqué cuivre. Les autres câbles Cat. 5e ne sont pas supportés par Cambium Networks. Cambium Networks fournit ce câble (numéros de pièce Cambium WB3175 et WB3176), des connecteurs RJ 45 (numéro de pièce Cambium WB3177) ainsi qu'un outil à sertir (numéro de pièce Cambium WB3211). Le kit de LPU et de mise à la masse contient un câble de ce type de 0,6 mètres (2 pieds).

## Installer le câble de liaison de l'ODU vers la LPU supérieure

### Adapter des presse-étoupes au câble de liaison de l'ODU vers la LPU supérieure

Placer un presse-étoupe CEM réducteur d'effort (avec capuchon noir) à chaque extrémité de la section de 0,6 mètres (2 pieds) de câble prédéterminé. Ces pièces sont fournies dans le kit de LPU et de mise à la masse.

- 1 Désassembler le presse-étoupe et enfilez chaque pièce sur le câble (le bouchon noir est fendu). Assemblez l'agrafe à ressort et le bouchon noir :



- 2 Loger les parties dans le corps et visser légèrement l'écrou du presse-étoupe à l'aide d'une clé 24 mm (0,9 po) (ne pas le serrer) :



**Connecter le câble de liaison à l'ODU (port PSU) et à la LPU**

- 1 (a) Brancher le connecteur RJ45 dans la fiche de l'unité, en vous assurant qu'il s'enclenche.  
 (b) Adapter le corps du presse-étoupe au port RJ45 et le serrer à un couple de 5,5 Nm (4,1 li-pi) :

(a)



(b)



- 2 (a) Visser l'écrou du presse-étoupe et le serrer jusqu'à ce que le joint se referme sur le câble.  
 (b) Ne pas serrer excessivement l'écrou du presse-étoupe, afin de ne pas endommager les composants internes :

(a)



(b)

Correct



Incorrect



## Déconnecter le câble de liaison de la LPU ou de l'ODU

Suivre cette procédure s'il s'avérait nécessaire de retirer un presse-étoupe CEM réducteur d'effort et le connecteur RJ45 de l'ODU (comme sur l'illustration) ou de la LPU.

- 1 (a) Retirer l'écrou du presse-étoupe. Secouer légèrement le câble de liaison afin de relâcher la tension sur le corps du presse-étoupe. Lorsque la tension sur le corps du presse-étoupe est relâchée, un écart s'ouvre au point indiqué. Dévisser le corps du presse-étoupe.
- (b) Utiliser un petit tournevis pour désenclencher la languette du connecteur RJ45, puis retirez celui-ci.



## Installer le câble de liaison principal



Attention Le blindage métallique du câble est très coupant et peut causer des blessures.

- TOUJOURS porter des gants résistants aux coupures (vérifier sur l'étiquette afin de vous assurer qu'ils sont résistants aux coupures).
- TOUJOURS porter des lunettes de protection.
- TOUJOURS utiliser un outil à lame rotative pour dénuder le câble (NE PAS utiliser un couteau).



Attention Le non respect des mesures de précaution suivantes peut entraîner des blessures ou la mort :

- Utiliser la poignée de levage adaptée pour le câble à installer. Si une poignée de levage incorrecte est utilisée, il peut en résulter un glissement ou une force de retenue insuffisante.
- Ne pas réutiliser les poignées de levage. Les poignées usagées peuvent avoir perdu de leur élasticité, être étirées ou affaiblies. Si vous réutilisez une poignée, le câble peut glisser, se casser ou tomber.
- Le minimum requis est d'une poignée de levage pour chaque 60 m (197 pi) de câble.

## Couper à la longueur voulue et installer les poignées de levage

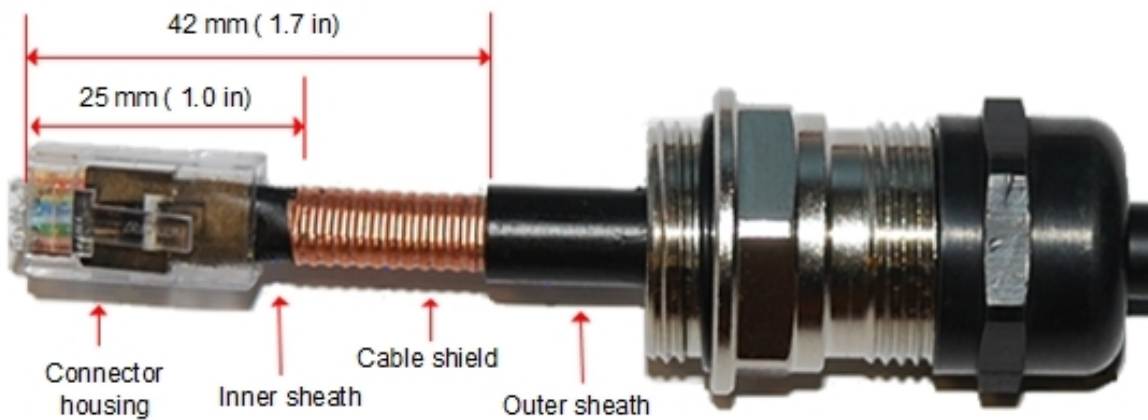
- 1 Couper le câble de liaison principal à la longueur allant de la LPU supérieure à la LPU inférieure.
- 2 Enfiler une ou plusieurs poignées de levage sur l'extrémité supérieure du câble de liaison.
- 3 Fixer la poignée de levage sur le câble à l'aide d'un outil spécial, tel que préconisé par le fabricant.

## Terminer avec les connecteurs RJ45 et les presse-étoupes



Attention S'assurer que l'outil à sertir correspond au connecteur RJ45, sans peine d'endommager le câble ou le connecteur.

- 1 Enfiler le presse-étoupe (avec capuchon noir) sur le câble de liaison principal.
- 2 Retirer la gaine extérieure du câble et fixer la barre de charge du connecteur RJ45.
- 3 Installer le logement du connecteur RJ45 tel qu'indiqué. Pour vous assurer qu'il y ait une réduction de l'effort efficace, placer la gaine intérieure du câble sous la queue du logement du connecteur. Ne pas serrer l'écrou du presse-étoupe :



## Hisser et fixer le câble de liaison principal



Attention Le non respect des mesures de précaution suivantes peut entraîner des blessures ou la mort :

- Ne hisser qu'un seul câble avec la poignée de levage. Lorsque vous tentez de hisser plus d'un câble, la poignée de levage peut se casser ou le câble peut tomber.
- Ne pas utiliser la poignée de levage pour abaisser le câble à moins que la fixation ne soit fermement placée.
- Maintenir la tension sur la poignée de levage durant l'élévation. La perte de tension peut provoquer des mouvements dangereux du câble et entraîner des blessures ou la mort du personnel.
- Ne pas relâcher la tension sur la poignée avant que la poignée n'ait été attachée sur la structure porteuse.
- Ne pas appliquer de contrainte aux connecteurs RJ45.



Attention Ne pas poser le câble de liaison le long d'un paratonnerre.

- 1 Hisser l'extrémité supérieure du câble de liaison principal jusqu'à la LPU supérieure, en suivant les instructions du fabricant de la poignée. Une fois le câble en position, fixer la poignée de levage à la structure porteuse et retirer la ligne de levage.



- 2 Connecter le câble de liaison principal à la LPU supérieure en suivant la procédure Connecter le câble de liaison à l'ODU (port PSU) et à la LPU à la page 18.
- 3 Acheminer le câble de liaison principal jusqu'au site de la LPU inférieure.
- 4 Fixer le câble de liaison principal à la structure porteuse en suivant la procédure en vigueur pour le site.

### Relier le câble de liaison principal à la masse

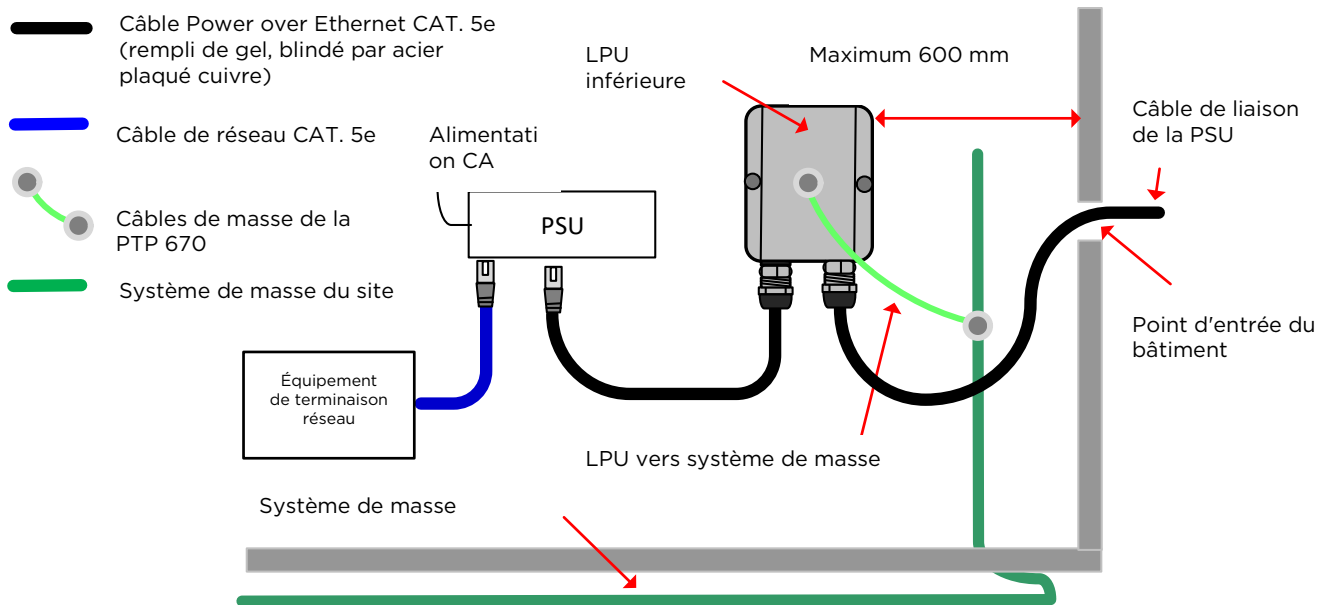
À tous les points de masse requis, connecter le blindage du câble de liaison principal au métal de la structure porteuse au moyen du kit de mise à la masse de câble (numéro de pièce Cambium 01010419001).

## Installer le câble de liaison de la LPU inférieure à la PSU

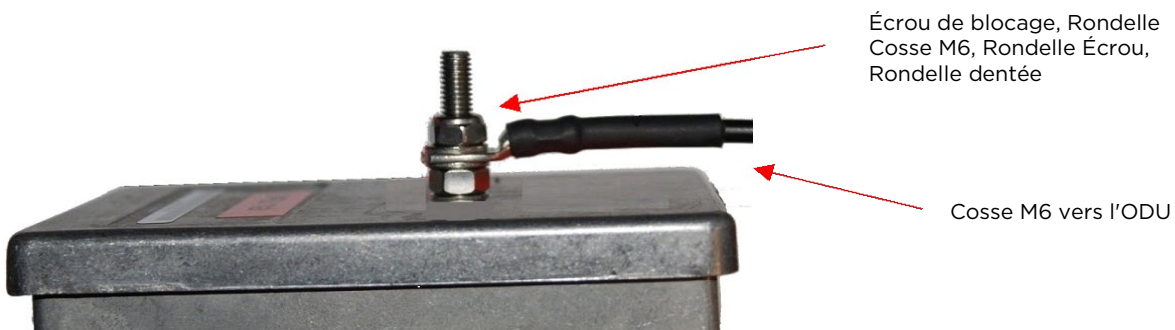
### Installer la LPU inférieure

Installer la LPU inférieure, la relier à la masse, et la connecter au câble de liaison principal.

- 1 Sélectionner un point de montage pour la LPU inférieure dans un rayon de 0,6 mètres (2 pieds) du point d'entrée du bâtiment. Monter la LPU verticalement, les presse-étoupes positionnés en bas.



- 2 Connecter le câble de liaison principal à la LPU inférieure en suivant la procédure Connecter le câble de liaison à l'ODU (port PSU) et à la LPU à la page 18.
- 3 Fixer un câble de masse à la LPU inférieure en utilisant la (petite) cosse M6. Serrer les deux écrous à un couple de 5 Nm (3,7 li-pi) :



- 4 Sélectionner un point de masse de bâtiment près du support de la LPU. Retirer la peinture de la surface et appliquer un composé anti-oxydant. Fixer le câble de masse de la LPU avec la (grande) cosse M10.

## Installer le câble de liaison de la LPU à la PSU

Utiliser cette procédure pour terminer le câble de liaison LPU inférieure vers PSU avec des connecteurs RJ45 aux deux extrémités, et avec un presse-étoupe à l'extrémité LPU.



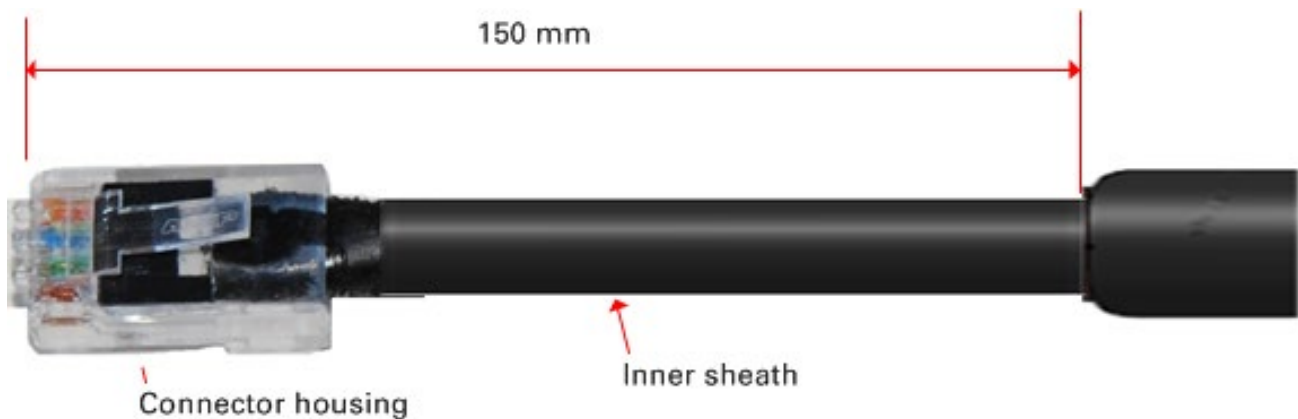
Attention Le blindage métallique du câble est très coupant et peut causer des blessures.

- TOUJOURS porter des gants résistants aux coupures (vérifier sur l'étiquette afin de vous assurer qu'ils sont résistants aux coupures).
- TOUJOURS porter des lunettes de protection.
- TOUJOURS utiliser un outil à lame rotative pour dénuder le câble, et non un couteau.



Attention S'assurer que l'outil à sertir correspond au connecteur RJ45, sous peine d'endommager le câble ou le connecteur.

- 1 Couper le câble de liaison à la longueur requise de la LPU inférieure à la PSU.
- 2 À l'extrémité LPU seulement :
  - Adapter un presse-étoupe et un connecteur RJ45 en suivant la procédure Terminer avec des connecteurs RJ45 et des presse-étoupes à la page 19.
  - Connecter ce câble et le presse-étoupe à la LPU inférieure en suivant la procédure Connecter le câble de liaison à l'ODU (port PSU) et à la LPU à la page 18.
- 3 **À l'extrémité PSU seulement** : Ne pas installer de presse-étoupe. Retirer la gaine extérieure du câble et fixer la barre de charge du connecteur RJ45. Adapter le logement du connecteur RJ45. Pour vous assurer qu'il y ait une réduction de l'effort efficace, placer la gaine intérieure du câble sous la queue du logement du connecteur :



## Tester la résistance dans le câble de liaison

Connecter l'extrémité du bas du câble de liaison cuivre de Cat. 5E à un testeur de câble de liaison adapté et vérifier que la résistance entre les broches est comprise entre les limites correctes, telles que spécifiées dans le tableau ci-dessous. Si l'un des tests échoue, vérifier que le câble de liaison ne présente pas d'erreur de câblage.

Mesurer la résistance entre...	Entrer la résistance mesurée	Pour passer le test, la résistance doit être comprise entre...	Entourer « réussite » ou « échec »	Tests supplémentaires et notes
Broches 1 et 2	Ohms	<20 Ohms (60 Ohms) (*1)	Réussite Échec	
Broches 3 et 6	Ohms	<20 Ohms (60 Ohms) (*1)	Réussite Échec	Les résistances ne doivent pas diverger de plus de 10% (*2). Entourer « réussite » ou « échec » :
Broches 4 et 5	Ohms	<20 Ohms (60 Ohms) (*1)	Réussite Échec	Réussite Échec
Broches 7 et 8	Ohms	<20 Ohms (60 Ohms) (*1)	Réussite Échec	
Broche 1 et blindage (masse ODU)	K Ohms	>100K Ohms	Réussite Échec	Ces limites s'appliquent indifféremment de la longueur du câble.
Broche 8 et blindage (masse ODU)	K Ohms	>100K Ohms	Réussite Échec	

(\*1) Une résistance de 20 Ohms est le maximum admissible lorsque le câble transporte de l'Ethernet.

Une résistance de 60 Ohms est le maximum admissible lorsque le câble transporte uniquement l'alimentation de l'ODU (lorsque l'Ethernet est transporté par l'une des autres interfaces de l'ODU).

(\*2) S'assurer que ces résistances ne divergent pas de plus de 10 % en multipliant la résistance la plus basse par 1,1 - Si l'une des autres résistances est supérieure à cette valeur, alors cela indique que le test a échoué.

## Installation de la PSU

Installer l'un des types de PSU suivants (tel que spécifié dans le plan d'installation) :

- Injecteur d'alimentation CA (numéro de pièce Cambium N000065L001C).
- Injecteur d'alimentation amélioré CA+CC (numéro de pièce Cambium C000065L002C).



**Attention** La PSU n'étant pas étanche, elle doit être installée à l'écart des sources d'humidité, soit dans le bâtiment d'équipement soit dans une enceinte ventilée étanche. Ne pas installer la PSU à un emplacement l'exposant à des températures supérieures à sa plage de températures de fonctionnement.



**Attention** Ne pas brancher d'appareil autre qu'une ODU de la PTP 650, PTP 670 ou PTP 700 dans le port ODU de la PSU. Les autres appareils pourraient être endommagés en raison de techniques non standard employées pour injecter l'alimentation CC dans la connexion Ethernet entre la PSU et l'ODU.

Ne pas brancher d'appareil autre qu'une PSU Cambium PTP 670 dans le port PSU de l'ODU. Le branchement d'un autre appareil dans le port PSU de l'ODU pourrait endommager l'ODU et l'appareil.

## Installation de l'injecteur d'alimentation CA

Suivre cette procédure pour installer l'injecteur d'alimentation CA (numéro de pièce Cambium N000065L001C).

- 1 Former une boucle d'égouttage à l'extrémité PSU du câble de liaison LPU vers PSU. La boucle d'égouttage permet empêcher l'eau coulant le long du câble d'entrer dans la PSU.
- 2 (a) Placer l'injecteur d'alimentation CA sur une surface horizontale. Brancher le câble de liaison LPU vers PSU dans le port PSU étiqueté ODU.  
(b) Lorsque le système est prêt pour la connexion réseau, connecter le câble réseau Cat. 5e dans le port LAN Réseau local (LAN) de la PSU :

(a)



(a)



## Installation de l'injecteur d'alimentation amélioré CA+CC

Suivre cette procédure pour installer l'injecteur d'alimentation amélioré CA+CC (numéro de pièce Cambium C000065L002C).

- 1 Monter l'injecteur d'alimentation amélioré CA+CC en le vissant sur une surface verticale ou horizontale avec les quatre trous de vis (deux trous entourés) :



- 2 Former une boucle d'égouttage à l'extrémité côté PSU du câble de liaison LPU vers PSU. Les boucles d'égouttage permettent d'empêcher l'eau pénétrant le long du câble dans l'intérieur de l'armoire ou de l'enceinte d'entrer dans la PSU.
- 3 (a) Dévisser la vis de fixation, ouvrir le capot en le pivotant vers l'arrière et brancher le câble de liaison dans le port  
 (b) Fermer le couvercle et revisser la vis de fixation.  
 (c) Lorsque le système est prêt pour la connexion réseau, connecter le câble réseau Cat. 5e au port Réseau local (LAN) de la PSU :



## Configuration de l'ODU pour exploitation dans l'UE

### Générer une clé de licence spécifique pour votre pays

Dans la série PTP 670, une clé de licence est utilisée pour activer de nouvelles fonctionnalités, ainsi que pour modifier les réglages réglementaires d'une ODU. La nouvelle clé de licence permettra d'inclure les bandes réglementaires autorisées dans le pays d'exploitation spécifié. Suivre cette procédure pour générer la clé de licence.

#### Procédure :

- 1 Se rendre sur le centre d'assistance Cambium à l'adresse :  
<https://support.cambiumnetworks.com/licensekeys/ptp50670>
- 2 Entrer l'adresse MAC de l'ODU et sélectionner le pays où le lien PTP sera déployé.
- 3 Confirmer votre accord aux termes et conditions et cliquer sur soumettre (submit)
- 4 Localiser l'ODU par son adresse MAC et copier la clé de licence générée depuis la page des clés de licence
- 5 Enregistrer la clé de licence (par exemple en la copiant dans un éditeur de texte et en sauvegardant le fichier) pour toute utilisation ultérieure

### Configurer le PC de gestion

Utiliser cette procédure pour configurer le PC de gestion local pour communiquer avec la PTP 670.

#### Procédure:

- 1 Sélectionner les **Propriétés** du port Ethernet. Internet > Centre réseau et partage > Modifier les paramètres de la carte. Cliquer avec le bouton droit sur l'icône de l'adaptateur Ethernet et sélectionner Propriétés.
- 2 Sélectionner Protocole Internet version 4 (TCP/IPv4) :
- 3 Cliquer sur Propriétés.
- 4 Entrer une adresse IP valide pour le réseau 169.254.X.X, en évitant 169.254.0.0 et 169.254.1.1. 169.254.1.3 constitue un bon exemple d'adresse IP.
- 5 Entrer le masque de sous-réseau 255.255.0.0. Laisser vide la passerelle par défaut.

### Connecter l'ODU au PC et la mettre sous tension

Utiliser cette procédure pour connecter un PC de gestion et mettre sous tension la PTP 670.

#### Procédure :

- 1 Vérifier que l'ODU et la PSU sont correctement connectés.
- 2 Connecter le port Ethernet du PC au port de réseau local (LAN) de la PSU à l'aide d'un câble Ethernet standard (non croisé).
- 3 Mettre la PSU sous tension du secteur ou d'une batterie. Le voyant d'alimentation devrait être vert fixe.
- 4 Après environ 45 secondes, vérifier que le voyant orange Ethernet commence à clignoter lentement une dizaine de fois.
- 5 Vérifier que le voyant Ethernet s'illumine ensuite en continu.

## Connexion à l'interface web

Utiliser cette procédure pour vous connecter à l'interface web en tant qu'administrateur système.

### Procédure :

- 1 Démarrer le navigateur Internet depuis le PC de gestion.
- 2 Entrer l'adresse IP de l'unité dans la barre d'adresse. L'adresse IP par défaut configurée en usine est 169.254.1.1. Appuyer sur ENTRÉE. Le menu de l'interface web et la page de résumé système s'affichent.
- 3 Dans le menu, cliquer sur Installation. La page de connexion s'affiche avec une invite de mot de passe (par défaut) ou avec une invite de nom d'utilisateur et de mot de passe (si les comptes d'utilisateurs basés sur l'identité ont été activés). Le mot de passe par défaut est vide.
- 4 Entrer le nom d'utilisateur (si demandé) et le mot de passe (celui par défaut est vide) et cliquer sur Connexion (Login).

## Mettre à jour la clé de licence et configurer l'ODU

Utiliser cette procédure pour installer une nouvelle clé de licence et pour configurer le gain d'antenne et la perte de câble dans une ODU connectée.

### Procédure :

- 1 Dans le menu, cliquer sur Installation. Cliquer sur Poursuivre avec l'assistant d'installation (Continue to Installation Wizard).
- 2 Sur la page de la clé de licence du logiciel, copier-coller la clé de licence dans l'attribut Clé de licence (License Key). Cliquer sur Soumettre (Submit) ou Formater (Format).
- 3 Pour une ODU intégrée, cliquer sur Suivant (Next) sur les pages qui suivent jusqu'à ce que la page Configuration sans-fil s'affiche. Régler les attributs de Bande réglementée (Regulatory Band) et de Puissance de transmission maximale (Maximum Transmitter Power) pour le fonctionnement dans la bande sélectionnée. Noter que dans certains états membres de l'UE, il se peut que la bande 5,4 Ghz soit la seule disponible.  
  
Cliquer sur Suivant (Next) sur les pages suivantes jusqu'à ce que la page Confirmer la configuration de l'installation s'affiche. Cliquer sur Confirmer la configuration et réamorcer (Confirm Configuration and Reboot).
- 4 Pour une ODU connectée, cliquer sur Suivant (Next) sur les pages qui suivent jusqu'à ce que la page Configuration sans-fil s'affiche. Régler les attributs Bande réglementée (Regulatory Band), Gain d'antenne (Antenna Gain), Perte de câble (Cable Loss) et Puissance de transmission maximale (Maximum Transmitter Power) qui correspondent à l'antenne et aux câbles utilisés lors de l'installation. Noter que dans certains états membres de l'UE, il se peut que la bande 5,4 Ghz soit la seule disponible.

Cliquer sur Suivant (Next) sur les pages suivantes jusqu'à ce que la page Confirmer la configuration de l'installation s'affiche. Cliquer sur Confirmer la configuration et réamorcer (Confirm Configuration and Reboot).

# Cambium Networks

Cambium Networks est fournisseur de solutions fixes à large bande et à micro-ondes de qualité professionnelle pour ses clients du monde entier. Nos solutions sont déployées dans des milliers de réseaux dans plus de 153 pays, nos technologies innovantes fournissent une connectivité fiable, sécurisée et rentable facile à déployer et attestant de performances exceptionnelles.

Nos solutions radio Point à point (PTP) primées fonctionnent dans les bandes de fréquences licenciées, sans licence et à usage défini, y compris des solutions FIPS 140-2 pour le marché fédéral américain. De conception robuste pour offrir 99,999 % de disponibilité, nos solutions PTP présentent une historique sans faille pour fournir une connectivité haut débit fiable, dans les environnement RF les plus exigeants même au-delà de la ligne de vision.

Nos solutions flexibles Point à multipoint (PMP) fonctionnent dans les bandes de fréquences licenciées, sans licence et fédérales, pour la mise en place de réseaux d'accès fiables, sécurisés et rentables. Avec plus de trois millions de modules déployés dans les réseaux dans le monde, nos solutions d'accès PMP font leurs preuves jour après jour dans l'accès résidentiel, comme alternative aux lignes spécialisées, pour la vidéo surveillance et les applications de réseaux intelligents.

Les solutions de Cambium Networks sont des leaders incontestés et respectés dans l'industrie haut débit sans fil. Nous concevons, déployons et fournissons des solutions innovantes de connectivité de données, voix et vidéo qui permettent et garantissent les communications de la vie, donnant à chacun les moyens de la croissance personnelle, commerciale et communautaire pratiquement partout dans le monde.

Guides utilisateur :	<a href="http://www.cambiumnetworks.com/guides">http://www.cambiumnetworks.com/guides</a>
Formation technique :	<a href="http://www.cambiumnetworks.com/technical_training">http://www.cambiumnetworks.com/technical_training</a>
Site web d'assistance :	<a href="https://support.cambiumnetworks.com">https://support.cambiumnetworks.com</a>
Site web principal :	<a href="http://www.cambiumnetworks.com">http://www.cambiumnetworks.com</a>
Demandes d'ordre commercial :	<a href="mailto:solutions@cambiumnetworks.com">solutions@cambiumnetworks.com</a>
Informations assistance :	<a href="https://support.cambiumnetworks.com">https://support.cambiumnetworks.com</a>
Liste de numéros d'appel :	<a href="http://www.cambiumnetworks.com/contact-us/">http://www.cambiumnetworks.com/contact-us/</a>
Adresse :	Cambium Networks Limited, Linhay Business Park, Eastern Road, Ashburton, Devon, Royaume-Uni, TQ13 7UP

phn-4835 000v002

Décembre 2018



**Exactitud de la información**

Aunque se han hecho esfuerzos razonables para asegurar la exactitud del presente documento, Cambium Networks no asume ninguna responsabilidad derivada de imprecisiones u omisiones o del uso de la información contenida en el mismo. Cambium Networks se reserva el derecho de efectuar cambios en cualquier producto descrito aquí para mejorar la fiabilidad, la función o el diseño y se reserva el derecho a revisar este documento y de hacer cambios ocasionalmente en el contenido del mismo sin obligación de notificar a ninguna persona acerca de dichas revisiones o cambios. Cambium Networks no asume ninguna responsabilidad derivada de la aplicación o el uso de cualquier producto, software o circuito descrito en este documento; tampoco confiere licencias en virtud de sus derechos de patente o los derechos de terceros. Es posible que esta publicación contenga referencias o información sobre productos (máquinas y programas), programación o servicios de Cambium Networks que no se publicitan en su país. Dichas referencias o información no deben interpretarse como si Cambium Networks tuviera la intención de publicitar dichos productos, programación o servicios de Cambium Networks en su país.

**Derechos de autor**

Este documento, los productos de Cambium Networks y los productos de software de terceros descritos en este documento pueden incluir o describir programas informáticos de Cambium Networks y programas informáticos suministrados por terceros protegidos por derechos de autor, almacenados en memorias de estado sólido u otros medios. Las leyes de Estados Unidos y otros países reservan para Cambium Networks, sus licenciarios y otros terceros que suministran software ciertos derechos exclusivos para material protegido por derechos de autor, incluyendo el derecho exclusivo de copiar, reproducir en cualquier forma, distribuir y hacer trabajos derivados del material protegido por derechos de autor. Por consiguiente, cualquier material protegido por derechos de autor de Cambium Networks, sus licenciarios o el material suministrado por software de terceros contenido en los productos de Cambium Networks descritos en este documento no puede copiarse, reproducirse, modificarse, distribuirse o fusionarse o modificarse de ninguna manera sin el permiso expreso por escrito de Cambium Networks. Además, no se considerará que la compra de los productos de Cambium Networks otorga de forma directa o implícita, por actos propios o de otra manera, ninguna licencia en virtud de los derechos de autor, patentes o solicitudes de patente de Cambium Networks u otro software suministrado por terceros, excepto la licencia normal no exclusiva, libre de regalías, para el uso que surja por efecto de la ley en la venta de un producto.

**Restricciones**

El software y la documentación son materiales protegidos por derechos de autor. La realización de copias no autorizadas está prohibida por la ley. Ninguna parte del software o documentación puede reproducirse, transmitirse, transcribirse, almacenarse en un sistema de recuperación, o traducirse a otros idiomas o lenguajes informáticos, en ninguna forma ni por ningún medio, sin el permiso previo por escrito de Cambium Networks.

**Acuerdos de licencia**

El software descrito en este documento es propiedad de Cambium Networks y sus licenciarios. Se proporciona únicamente mediante un acuerdo de licencia expreso y solo puede utilizarse de acuerdo con los términos de dicho acuerdo.

**Materiales de alto riesgo**

cualquier garantía expresa o implícita de idoneidad para cualquier actividad o uso de alto riesgo de sus productos, incluyendo, pero no limitado a, la operación de instalaciones nucleares, sistemas de navegación aérea o de comunicación de aeronaves, control de tráfico aéreo, soporte vital o sistemas de armas ("Uso de alto riesgo"). Ninguna operación de alto riesgo está autorizada, se hace bajo su propio riesgo y usted será responsable de todas y cada una de las pérdidas, daños o reclamaciones que surjan de cualquier Uso de alto riesgo.

## Avisos

### Acerca de esta Guía de inicio rápido

Esta Guía de inicio rápido describe como instalar los equipos del emplazamiento para los enlaces de la serie PTP 670. Los usuarios de esta guía deben seguir el código de buenas prácticas para instalaciones de radio exteriores.

En configuraciones más avanzadas, puede haber una o dos interfaces Ethernet adicionales conectadas a la ODU: una al puerto SFP (cobre u óptico) y otra al puerto AUX. Para obtener más información sobre estas configuraciones, consulte la Guía de usuario de la serie PTP 670.

Esta Guía de inicio rápido describe cómo desplegar PTP 670 en los siguientes países:

- Irlanda
- Noruega
- Reino Unido (RU)

Las Guías de inicio rápido de PTP 670 están disponibles para otros estados miembros de la UE. Visite:

<http://www.cambiumnetworks.com/guides>

### Uso previsto

Los productos de radiocomunicación de la serie PTP 670 de Cambium Networks soportan transmisión de datos a través de enlaces de microondas punto a punto (PTP). Este equipo está pensado únicamente para aplicaciones profesionales en instalaciones exteriores fijas. Estos equipos de radiocomunicación están disponibles con una antena integrada o como una unidad para conectarse a una antena externa.

## Operación en la UE

### Bandas de frecuencia, potencia máxima de operación, distancia de seguridad

Los productos de la serie PTP 670 funcionan con las siguientes bandas de frecuencia hasta la máxima potencia indicada:

Banda de frecuencia de operación	Norma europea	Límite de potencia máxima (PIRE)	Uso permitido	Distancia mínima de seguridad
5470 - 5600 MHz 5650 - 5725 MHz	EN 301 893	1 watt/30 dBm	Unlicensed.	0 cm
5725 - 5795 MHz, 5815 - 5855 MHz	EN 302 502	4 watts/36 dBm	Unlicensed.	0 cm

### Restricciones y requisitos de autorización para el uso

Este equipo se ha diseñado únicamente para uso exterior.

Los productos de la serie PTP 670 de Cambium pueden configurarse para funcionar en bandas de frecuencia tanto con licencia como sin licencia, sujetos a la planificación de frecuencias de cada país. Los operadores y los usuarios finales deben garantizar que el equipo está instalado y funciona de acuerdo con la normativa aplicable del país de operación, así como obtener cualquier licencia o permiso necesario.

### Antenas para unidades conectorizadas

Las ODU conectorizadas PTP 670 están diseñadas para conectarse a una antena polarizada doble, utilizando polarización vertical y horizontal. Las radios han sido sometidas a pruebas de conformidad con la normativa de la UE utilizando los tipos de antena que se enumeran a continuación. Se muestra la ganancia máxima de cada tipo de antena. Pueden utilizarse antenas de ganancia equivalente o inferior y del mismo tipo. No utilice una antena con mayor ganancia. Para reducir las posibles interferencias de radio con otros usuarios, el tipo de antena

y su ganancia deben elegirse de manera que la potencia isotrópica radiada equivalente (PIRE) no sea superior a la necesaria para el correcto funcionamiento de la comunicación.

Tipo de antena	Ganancia de antena del fabricante (dBi)		
	Banda de 4,9 GHz, banda de 5,1 GHz	Banda de 5,4 GHz	Banda de 5,8 GHz
Antena parabólica de 1,8 m	36,0	No compatible	38,1
Antena parabólica de 1,2 m	32,6	34,9	35,3
Antena plana	23,0	23,0	23,0
Sectorizada	17,0	17,0	17,0
Omnidireccional	13,0	13,0	13,0

## Antenas parabólicas recomendadas

Las siguientes antenas parabólicas son adecuadas para su uso con las ODU conectorizadas PTP 670, de acuerdo a la ganancia máxima de antena que se muestra arriba.

Número de pieza Cambium	Descripción
RDH4503B	5,25-5,85 GHz 0,6 m, 29,0 dBi, doble polarización, polarización H/V, con ajuste fino
RDH4504B	5,25-5,85 GHz 0,9 m, 32,5 dBi, doble polarización, polarización H/V
RDH4505B	5,25-5,85 GHz 1,2 m, 34,9 dBi, doble polarización, polarización H/V
RDH4506B	5,25-5,85 GHz 1,8 m, 37,9 dBi, doble polarización, polarización H/V
RDH4508B	5,25-5,85 GHz 0,6 m, 28,8 dBi, doble polarización de alto rendimiento
RDH4509B	5,25-5,85 GHz 0,9 m, 32,3 dBi, doble polarización de alto rendimiento
RDH4510B	5,25-5,85 GHz 1,2 m, 34,7 dBi, doble polarización de alto rendimiento
RDH4511B	5,25-5,85 GHz 1,8 m, 37,7 dBi, doble polarización de alto rendimiento

## Configuración de la ODU

Tenga en cuenta las siguientes instrucciones importantes durante la instalación. Esto configurará el equipo de conformidad con la legislación nacional.

- Asegúrese de que la ODU tenga instalada la última versión de firmware. El firmware está disponible en el sitio web del centro de soporte de Cambium. Consulte el enlace más abajo.
- Durante la configuración del equipo, verifique que la ODU corresponda a la variante regional de la UE. Genere una clave de licencia específica del país en cuestión en el que se está utilizando el producto desde el centro de soporte de Cambium. Instale la clave de licencia en la ODU. La clave de licencia desbloqueará bandas reguladoras adicionales que están permitidas en el país de operación.
- Para unidades conectorizadas, introduzca los valores de ganancia de antena y pérdidas de cable en los atributos de Ganancia de antena y Pérdidas de cable en la página de Configuración del sistema de la interfaz web.

## Declaración de conformidad simplificada de la UE

Por el presente documento, el fabricante Cambium Networks Ltd declara que los equipos de radio de tipo ODU conectorizada PTP 670 de 5 GHz y ODU integrada PTP 670 de 5 GHz cumplen la directiva 2014/53/UE. El texto completo de la declaración de conformidad UE está disponible en:

<http://www.cambiumnetworks.com/support/compliance/>

## Instalación profesional

La instalación y la operación de este producto son complejas. Siga las instrucciones de este folleto. Asegúrese de que la operación cumple con la normativa del país en el que está instalado el producto. Asegúrese de que los instaladores tengan la competencia, los conocimientos y la experiencia adecuados para realizar la instalación, lo que incluye también:

- Estar familiarizado con la legislación nacional en vigor, como las normativas radioeléctricas, de instalaciones eléctricas, de protección contra sobretensiones y de trabajo en altura.
- Realizar la instalación de conformidad con las instrucciones de Cambium Networks.
- Confirmar que la configuración del equipo cumple la legislación nacional o regional.

## Documentación del usuario

Para obtener instrucciones completas de planificación de la instalación para PTP 670 y una lista de componentes, descargue la *Guía del usuario de la serie PTP 670* en:

<http://support.cambiumnetworks.com/files/ptp670>

## Directiva de Residuos de aparatos eléctricos y electrónicos (RAEE)



No deseche equipos electrónicos y eléctricos o accesorios electrónicos y eléctricos con los residuos domésticos. En algunos países y regiones se han establecido sistemas de recogida para tratar los desechos de equipos eléctricos y electrónicos. En los países de la Unión Europea, póngase en contacto con el proveedor representante local del equipo o con el centro de soporte de Cambium Networks para obtener más información sobre los sistemas de recogida de residuos en su país.

Para obtener instrucciones sobre la eliminación de residuos de productos usados, consulte:

<http://www.cambiumnetworks.com/support/weee-compliance>

## Seguridad



Advertencia Para prevenir muertes o lesiones físicas, observe las siguientes pautas de seguridad. Cambium Networks no responderá en ninguna circunstancia por lesiones o daños causados durante la instalación de productos de la serie PTP 670 de Cambium. Asegúrese de que solo personal cualificado instale un enlace PTP 670.

### Líneas eléctricas

Extreme las precauciones cuando trabaje cerca de líneas eléctricas.

### Trabajo en altura

Extreme las precauciones cuando trabaje en altura.

### Fuente de alimentación

Utilice siempre el inyector de alimentación de CA o el inyector de alimentación reforzado de CA+CC para alimentar la ODU. Si utiliza una fuente de alimentación distinta a la suministrada por Cambium podría provocar daños en el equipo, invalidar la certificación de seguridad y representar un riesgo para la seguridad.

### Protección y puesta a tierra

La unidad exterior (ODU) debe estar correctamente conectada a tierra para estar protegida contra rayos. Es responsabilidad del usuario que la instalación del equipo cumpla la legislación nacional. En EE. UU., siga los requisitos del código eléctrico nacional NFPA 70-2005 y 780-2004 *Instalación de sistemas de protección contra rayos*. En Canadá, siga la Sección 54 del *Código eléctrico canadiense*. Estos códigos describen los

procedimientos de instalación correctos para la puesta a tierra de la unidad exterior, el mástil, el cable de acometida y unidad de descarga, los requisitos relativos al tamaño de conductores y de conexión para los electrodos de puesta a tierra. En otros países pueden ser aplicables otras normativas; se recomienda que la instalación de la unidad exterior la realice un instalador profesional.

## Alimentación de CC

Para alimentar la ODU desde una fuente de alimentación de CC, utilice el inyector de alimentación de CA+CC (PSU) (número de pieza Cambium C000065L002C). Asegúrese de que la fuente de alimentación de CC cumple los requisitos especificados en la *Guía de usuario de la serie PTP 670*.

## Desconexión previa a tareas de mantenimiento y servicio

Antes de realizar tareas de mantenimiento y servicio en el equipo PTP 670, apague siempre la fuente de alimentación y desenchúfelo de la fuente de alimentación. No desconecte los conectores del cable RJ45 de la ODU mientras la fuente de alimentación esté conectada a la corriente eléctrica. Desconecte siempre la alimentación de entrada de CA o CC de la fuente de alimentación.

## Dispositivo de desconexión principal

La fuente de alimentación principal es el dispositivo de desconexión principal. El inyector de alimentación reforzado de CA-CC está protegido por fusible en la entrada de CC. Algunas instalaciones también requerirán la instalación de un disyuntor o un interruptor de aislamiento adicional en la alimentación de CC.

## Cables externos

Si no utiliza cables con clasificación para montaje en exteriores en las conexiones expuestas a estas situaciones, podrían producirse riesgos de seguridad. Para interfaces de cobre Ethernet Cat5e en exteriores, utilice siempre cables Cat5e rellenos de gel y blindados con acero cobreado. Cambium Networks no admite otros tipos alternativos de cable para su uso con PTP 670.

Trabaje siempre con un electricista cualificado para instalar el cableado de CA.

## Comprobador de cable de bajada

NUNCA utilice un comprobador de cables de bajada en el extremo de la ODU conectado a la fuente de alimentación. Solo debe utilizarse en la parte inferior del mástil con un multímetro. Esto se debe a que la tensión de la fuente de alimentación supera el límite permitido en algunos países para trabajar adecuadamente en condiciones de humedad, con riesgos para su seguridad.

## Distancia mínima de separación

Cerca de la antena existen niveles nocivos de radiación de RF cuando el transmisor está encendido. Desconecte siempre la alimentación de la ODU antes de realizar trabajos de mantenimiento frente a la antena.

## Distancia mínima de separación

Asegúrese de que el personal no quede expuesto a niveles no seguros de energía de RF. Las unidades comienzan a irradiar energía RF tan pronto como se ponen en marcha. Nunca trabaje delante de la antena cuando la ODU esté alimentada. Instale las ODU de manera que se mantengan las distancias mínimas de separación respecto a cualquier persona.

## Requisitos de protección y puesta a tierra contra rayos

Asegúrese de que la instalación cumple las exigencias definidas en la *Guía del usuario de la serie PTP 670*.

## Métodos de instalación del cable de puesta a tierra

Para proporcionar una protección eficaz contra las sobretensiones inducidas por rayos, siga estos requisitos:

- El tendido del conductor de puesta a tierra debe ser lo más corto, recto y liso posible, con una cantidad mínima de codos y curvas.
- Los cables de puesta a tierra no deben instalarse con bucles de goteo.

- Todos los codos deben tener un radio mínimo de 203 mm y un ángulo mínimo de 90°. Un tendido diagonal es preferible a un tendido acodado, aunque no siga el contorno ni discurra paralelo a la estructura portante.
- Todos los codos, curvas y conexiones deben dirigirse hacia el sistema de electrodos de puesta a tierra, la varilla de tierra o la barra de tierra.
- Los conductores de puesta a tierra deben estar fijados de forma segura.
- No se deben utilizar conductores trenzados para la toma de tierra.
- Para la conexión de metales diferentes se deben utilizar técnicas de unión homologadas.

## Ubicación de la ODU y antenas

Las ODU y las antenas externas no están diseñadas para resistir el impacto directo de un rayo. Por este motivo, deben instalarse en una zona tipo B según lo definido en la *Guía de usuario de la serie PTP 670*. El montaje en una zona tipo A puede poner en peligro los equipos, las estructuras y la vida de las personas.

## Velocidades de supervivencia del viento

Asegúrese de que la ODU y la estructura en la que está instalada pueden soportar la velocidad máxima del viento en el lugar propuesto.

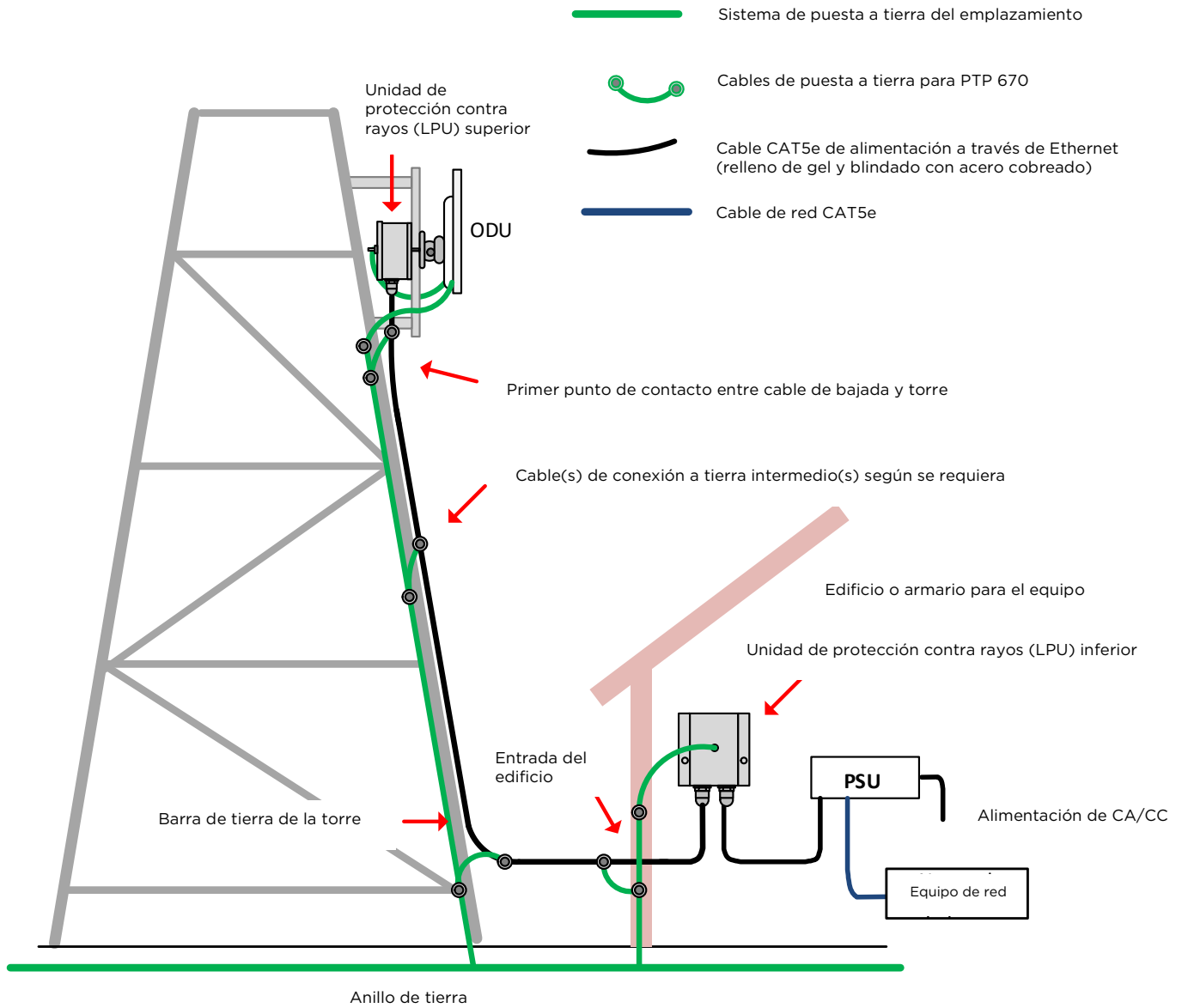
## Temperatura superficial

La carcasa de la ODU debe estar caliente al tacto cuando esté en funcionamiento.

## Fabricante del equipo

Cambium Networks Ltd, Unit B2 Linhay Business Park, Eastern Road, Ashburton, Devon, TQ13 7UP, Reino Unido.

## Instalaciones típicas



Un emplazamiento típico de un sistema PTP 670 consiste por lo general en una estructura de soporte alta como un mástil, una torre o una construcción para el equipo exterior (ODU y antena externa opcional) y un edificio para el equipo o un armario a prueba de humedad para el equipo interior (fuente de alimentación). A continuación se ilustra una instalación típica de mástil o torre:



**Nota** Estas instrucciones asumen que se instalan LPU del kit de LPU y puesta a tierra (número de pieza Cambium C000065L007A). Si la instalación no requiere LPU, adapte estas instrucciones según corresponda.

Si se instalan LPU, utilice únicamente los cinco prensaestopas EMC de tapón negro suministrados en el kit de LPU y puesta a tierra. Los prensaestopas de tapón plateado suministrados en los kits de ODU solo deben utilizarse en instalaciones PTP 670 que no requieran LPU.

## Variantes de ODU y opciones de soporte de montaje

### Variantes de ODU

La ODU PTP 670 se suministra en dos variantes de plataforma.

La ODU integrada PTP 670 está conectada a una antena plana de 23 dBi y está diseñada para enlaces complicados de medio a largo alcance y para los requisitos tradicionales de red de backhaul donde se requiere una alta capacidad y un elevado balance de enlace. La antena integrada ofrece una solución cómoda y fácil de instalar donde no se necesita el aumento adicional de antenas externas.

#### ODU integrada (4,8 a 5,9 GHz)



#### ODU integrada (4,9 a 6,05 GHz)





La ODU conectorizada PTP 670 está concebida para funcionar con antenas externas montadas por separado. Las antenas externas generalmente tienen ganancias más altas que las antenas integradas, lo que permite a la PTP 670 hacer frente a condiciones de radio más difíciles.



### Opciones de soporte de montaje

La serie PTP 670 admite tres opciones de soporte de montaje. Seleccione la disposición óptima del soporte de montaje en función del diámetro del poste y de la variante de ODU:

Soporte	Diámetro de poste	Variantes de ODU	Número de pieza de soporte
Conjunto de soporte basculante	40 mm to 77 mm (1,6 a 3,0 pulg.)	PTP 670 Integrada PTP 670 Conectorizada	N000045L002A
Conjunto de soporte basculante con abrazaderas de compresión	90 a 230 mm (3,6 a 9,0 pulg.)	PTP 670 Integrada PTP 670 Conectorizada	N000045L002A + abrazaderas de cinta de terceros
Soporte de montaje (integrado)	40 a 82 mm (1,6 a 3,2 pulg.)	PTP 670 Integrada	N000065L031A



Nota El conjunto de soporte basculante se incluye como parte de los kits PTP 670 integrado y conectorizado. Si es necesario, adquiera el soporte de montaje (integrado) por separado.

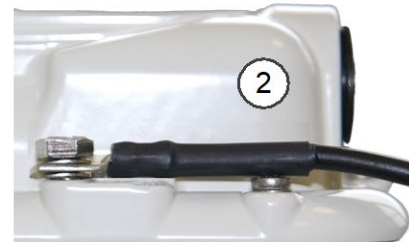


Nota El conjunto de soporte basculante permite ajustar el ángulo de elevación para la ODU integrada entre  $-17^\circ$  y  $+26^\circ$ . El soporte de montaje (integrado) permite ajustar el ángulo de elevación entre  $-26^\circ$  y  $+41^\circ$ .

## Instalación de la ODU y la LPU superior

### Fijación de cables de puesta a tierra a la ODU

- 1 Fije un cable de puesta a tierra en cada punto de conexión a tierra de la ODU utilizando los terminales M6 (pequeños): uno es para la LPU superior (terminal M6 en el otro extremo) y la otra es para la torre o el edificio (terminal M10 en el otro extremo). No importa qué cable vaya en qué punto de conexión a tierra de la ODU.
- 2 Apriete ambos pernos de conexión a tierra de la ODU con un par de apriete de 5,0 Nm.



### Montaje de la ODU en el mástil

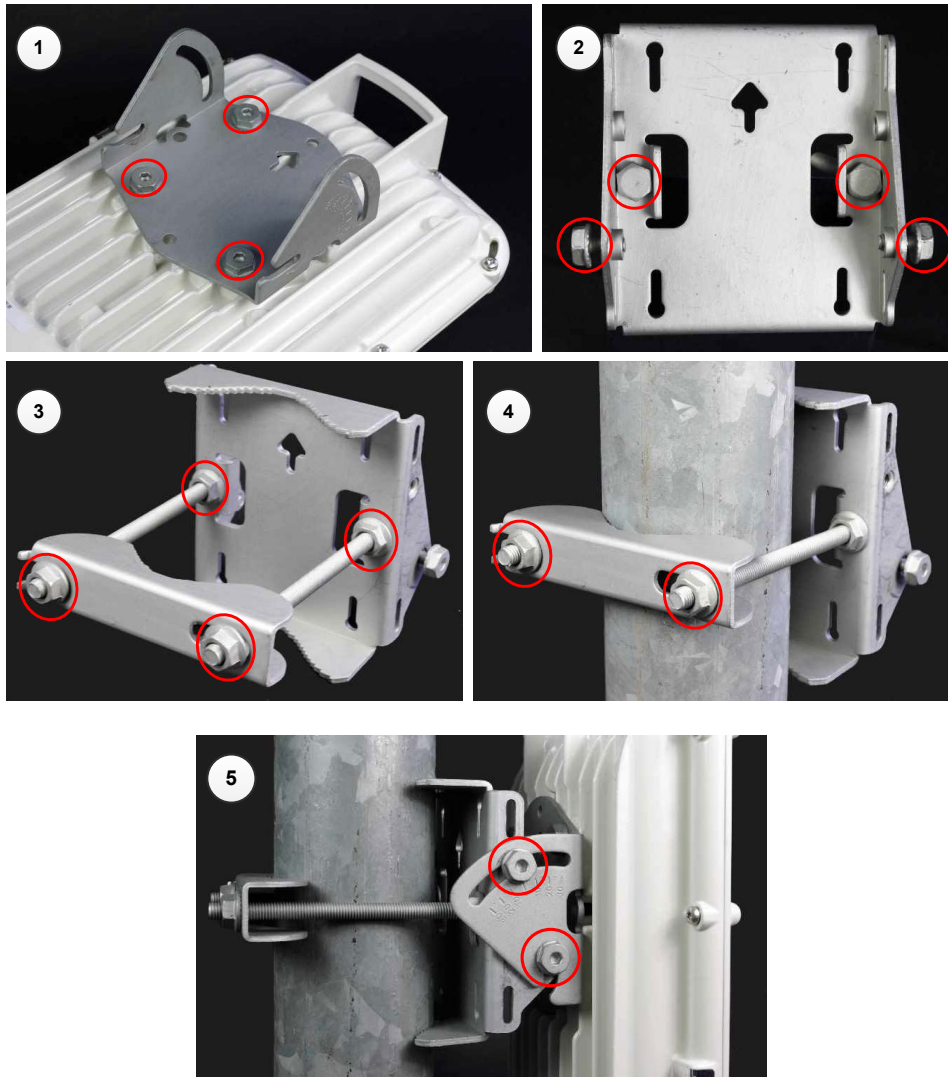
Seleccione la disposición de soporte de montaje más adecuada de las opciones indicadas en Opciones de soporte de montaje en la página 97. Consulte a continuación los procedimientos individuales para cada una de las opciones:

- Conjunto de soporte basculante en la página 98
- Conjunto de soporte basculante con abrazaderas de cinta en la página 99
- Soporte de montaje (integrada) en la página 100

Los procedimientos de montaje se pueden adaptar para fijar la ODU a un poste horizontal adecuado, pero el ajuste del ángulo acimutal es necesariamente limitado en comparación con una instalación en un poste vertical.

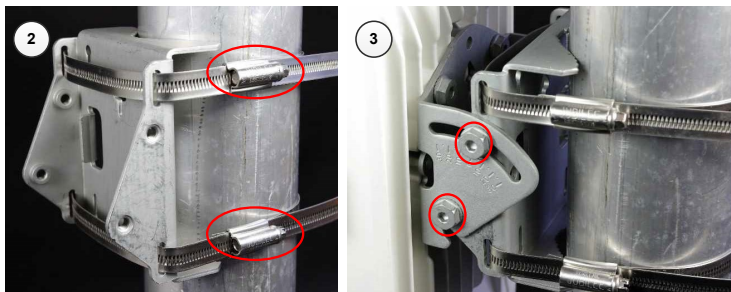
#### Conjunto de soporte basculante

- 1 Fije la placa de montaje del soporte basculante a la parte posterior de la ODU utilizando cuatro de los pernos cortos, asegurándose de que la flecha de la placa apunte hacia la parte superior de la ODU. Apriete los cuatro pernos con un par de apriete de 5,0 Nm con una llave fija o de vaso de 13 mm.
- 2 Introduzca los dos pernos largos a través del cuerpo del soporte de modo que las cabezas de los pernos encajen en las ranuras según ilustra la figura. Coloque dos de los pernos cortos en el lateral del cuerpo del soporte, pero no los apriete.
- 3 Enrosque dos de las tuercas en los pernos largos y apriételas contra el cuerpo del soporte con una llave de 13 mm. Coloque la abrazadera del soporte y enrosque las tuercas restantes en los pernos largos.
- 4 Fije el cuerpo del soporte montado al poste, ajuste el ángulo acimutal y aplique un par de apriete de 10,0 Nm a las tuercas con una llave de 13 mm, asegurándose de que la flecha del cuerpo apunte hacia arriba.
- 5 Eleve la ODU a la posición de montaje. Monte la placa de montaje en el cuerpo del soporte colocando las ranuras de extremo abierto sobre los pernos cortos. Inserte los pernos cortos restantes a través de las ranuras curvas más largas en los orificios roscados del cuerpo del soporte. Ajuste el ángulo de elevación y aplique un par de apriete de 8,0 Nm a los pernos con una llave fija o de vaso de 13 mm.



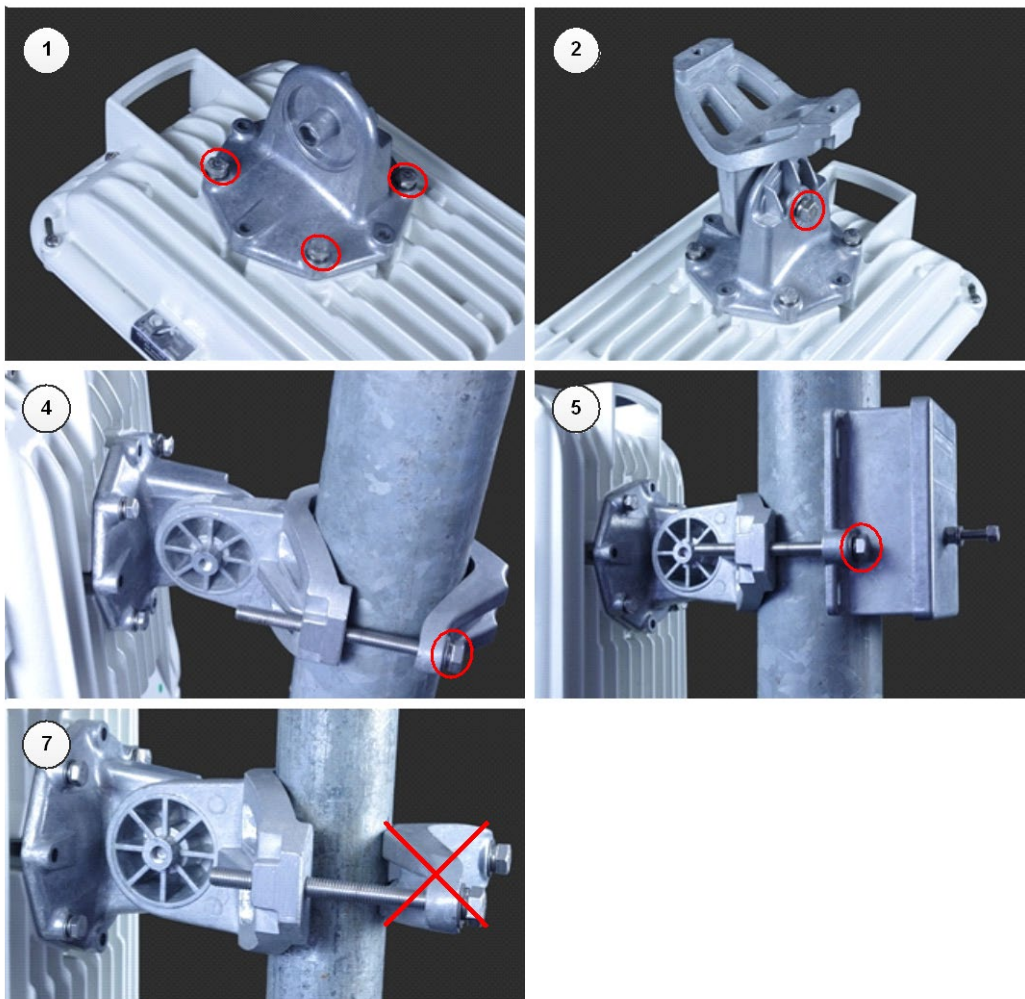
### Conjunto de soporte basculante con abrazaderas de cinta

- 1** Siga el paso 1 para el procedimiento de montaje del soporte basculante descrito anteriormente.
- 2** Pase las abrazaderas de cinta (no suministradas por Cambium) a través de las ranuras en el cuerpo del soporte. Fije el cuerpo del soporte al poste con abrazaderas de cinta, asegurándose de que la flecha del cuerpo esté apuntando hacia arriba. Ajuste el ángulo acimutal y apriete las abrazaderas de cinta con un par de apriete de 6,0 Nm).
- 3** Eleve la ODU a la posición de montaje. Fije la placa de montaje al cuerpo del soporte con cuatro de los pernos cortos, utilizando una llave fija o de vaso de 13 mm. Ajuste el ángulo de elevación y apriete los pernos con un par de apriete de 8,0 Nm).



## Soporte de montaje (integrado)

- 1 Fije la placa de montaje a la parte posterior de la ODU con los cuatro pernos y las arandelas elásticas y planas suministradas. Asegúrese de que la arandela elástica se sitúa entre la cabeza del perno y la arandela plana.
- 2 Fije el cuerpo del soporte a la placa de montaje utilizando el perno M8 y las arandelas elástica y plana. Asegúrese de que la arandela elástica se sitúa entre la cabeza del perno y la arandela plana.
- 3 Eleve la ODU a la posición de montaje.
- 4 Fije el cuerpo del soporte al poste usando la abrazadera del soporte, los pernos M8 y las arandelas elástica y plana. Asegúrese de que la arandela elástica se sitúa entre la cabeza del perno y la arandela plana. Para el montaje dorso contra dorso, utilice la LPU en lugar de la abrazadera.
- 5 Ajuste la elevación y el acimut para lograr una alineación visual. Apriete un par de apriete de 8,0 Nm a los tres pernos del soporte.



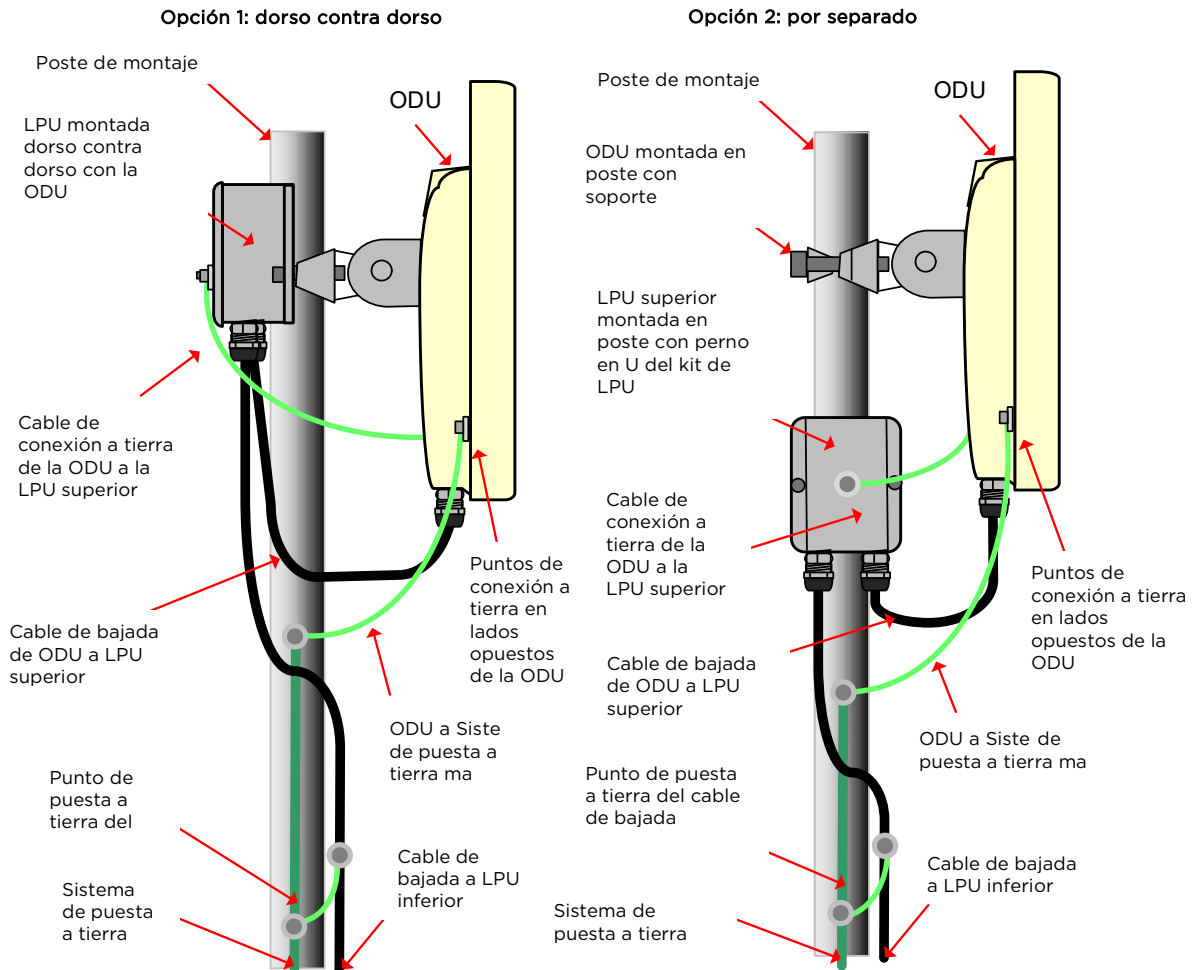
Atención No invierta la abrazadera del soporte, como se muestra en el punto 7 anterior, ya que esta disposición puede provocar el fallo del conjunto. No apriete demasiado los pernos, ya que esto puede provocar el fallo del conjunto.

## Montaje de la LPU superior

Para el montaje de la LPU por separado, utilice el soporte con perno en U del kit de LPU para montar la LPU superior en el poste debajo de la ODU. Apriete con un par de 7,0 Nm:



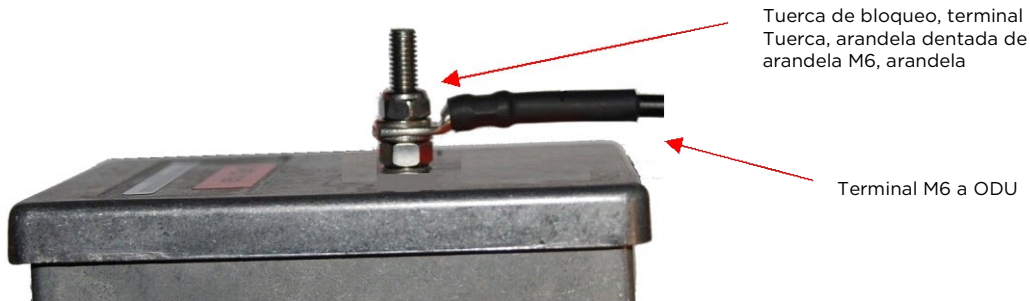
## Interconexión y puesta a tierra de la ODU y la LPU superior





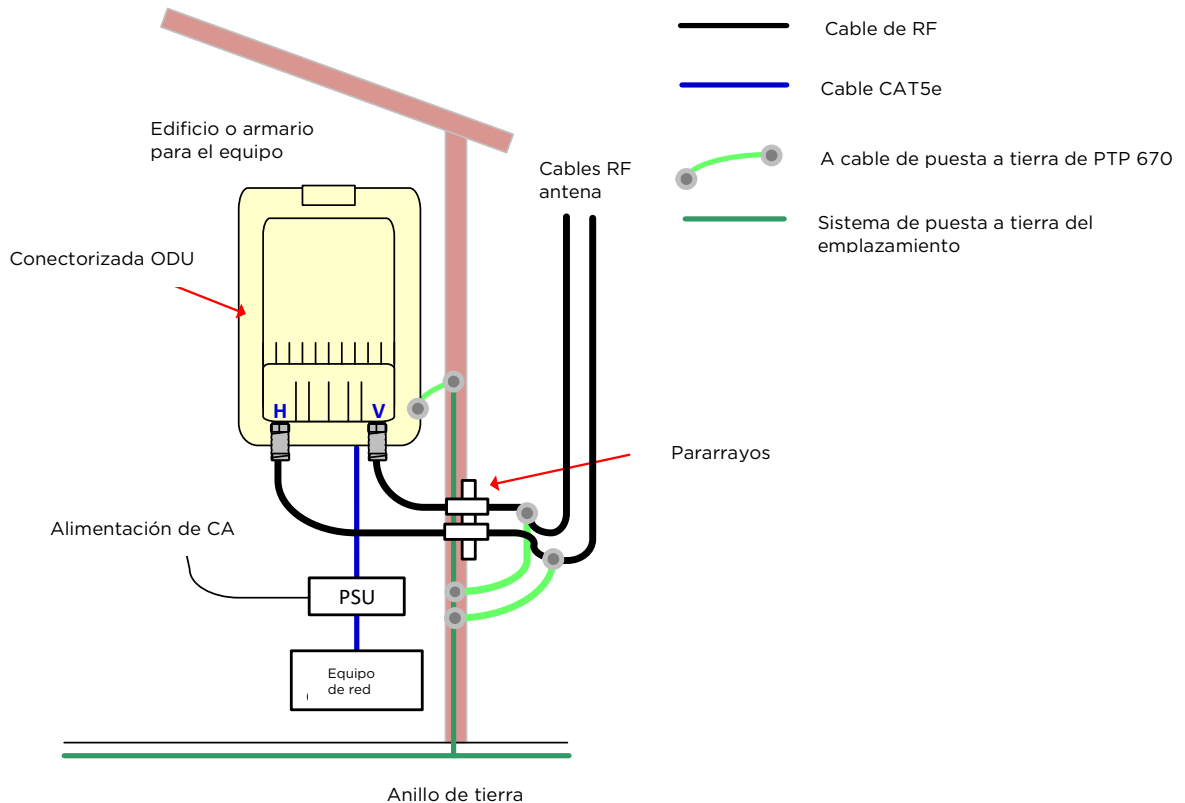
Atención No fije cables de conexión a tierra a los pernos del soporte de montaje de la ODU, ya que esta disposición no proporcionará una protección total.

- 1 Fije el cable de conexión a tierra de la ODU a la LPU superior utilizando el terminal M6 (pequeño). Aplique un par de apriete de 5 Nm a ambas tuercas:



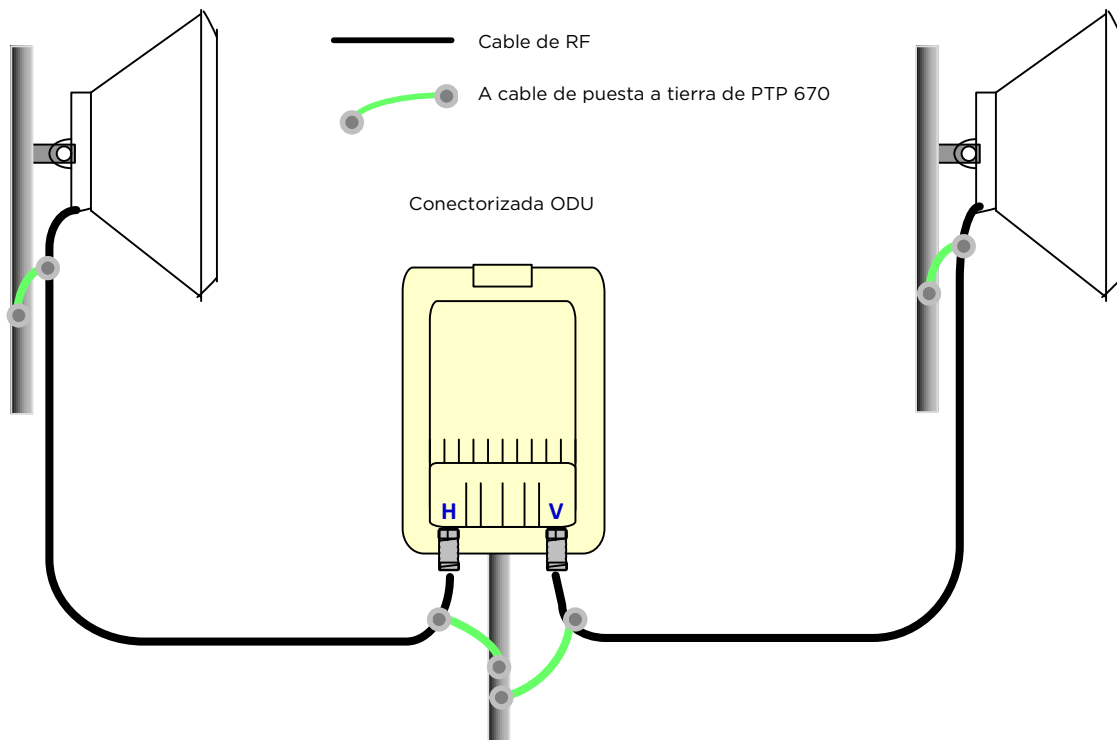
- 2 Seleccione un punto de conexión a tierra de la torre o del edificio a menos de 0,3 metros del soporte de la ODU. Retire la pintura de la superficie y aplique el compuesto antioxidante. Fije el cable de conexión a tierra de la ODU a este punto utilizando el terminal M10 (grande).
- 3 Si las normativas locales exigen la conexión a tierra independiente de todos los dispositivos, agregue un tercer cable de conexión a tierra para conectar la LPU superior directamente al sistema de puesta a tierra.

## Instalación de antenas externas para una ODU conectorizada



- 1 Monte la(s) antena(s) de acuerdo con las instrucciones del fabricante. Cuando utilice antenas separadas para conseguir diversidad espacial, monte una con polarización horizontal y la otra con polarización vertical.

- 2** Conecte las interfaces V y H de la ODU a la(s) antena(s) con cable RF de tipo CNT-400 (números de pieza Cambium 30010194001 y 30010195001) y conectores de tipo N (número de pieza Cambium 09010091001). Aplique a los conectores de tipo N un par de apriete de 1,7 Nm utilizando una llave fija o de vaso de 24 mm).
- 3** Si la ODU se monta en interiores, instale pararrayos en el punto de entrada del edificio:
- 4** Forme bucles de goteo cerca de los extremos inferiores de los cables de antena. Estos garantizan que no se canalice agua hacia los conectores.
- 5** Si la ODU se monta en exteriores, impermeabilice los conectores tipo N (cuando haya finalizado la alineación de la antena) usando cinta de PVC y cinta vulcanizable.
- 6** Impermeabilice los conectores de antena de la misma manera (a menos que el fabricante de la antena especifique un método diferente).
- 7** Conecte a tierra los cables de la antena a la estructura de soporte a menos de 0,3 metros de la ODU y de las antenas utilizando el kit de conexión a tierra de Cambium (número de pieza 01010419001):



- 8** Fije los cables de antena a la estructura de soporte utilizando métodos aprobados para el emplazamiento. Asegúrese de que no se produzca una tensión excesiva en la ODU o en los conectores de antena. Asegúrese de que los cables no se agiten con el viento, ya que los cables que se agitan son propensos a dañarse e inducir vibraciones no deseadas en la estructura de soporte.

## Instalación de la interfaz de cobre Ethernet Cat5e

Para instalar la interfaz de cobre Ethernet Cat5e, utilice los siguientes procedimientos:

- Instalación del cable de bajada de la ODU a la LPU superior en la página 104
- Instalación del cable de bajada principal en la página 106
- Instalación del cable de bajada de la LPU inferior a la fuente de alimentación en la página 108
- Comprobación de la resistencia en el cable de bajada en la página 109



Atención Para evitar daños en la instalación, no conecte ni desconecte el cable de caída cuando la fuente de alimentación se enchufe a la corriente o al equipo de terminación de red.



Atención No conecte los cables de bajada de SFP o auxiliares a la fuente de alimentación, ya que esto podría dañar el equipo.



Atención Utilice siempre cables Cat5e rellenos de gel y blindados con acero cobreado. Cambium Networks no acepta otros tipos alternativos de cable Cat5e. Cambium Networks suministra este cable (números de pieza Cambium WB3175 y WB3176), conectores RJ45 (número de pieza Cambium WB3177) y unos alicates de engaste o crimpadora (número de pieza Cambium WB3211). El kit de LPU y puesta a tierra contiene un cable de 0,6 metros de longitud.

## Instalación del cable de bajada de la ODU a la LPU superior

### Colocación de prensaestopas en el cable de caída de la ODU a la LPU superior

Coloque los prensaestopas de descarga de tracción EMC (tapón negro) en ambos extremos de los 0,6 metros de longitud del cable preterminado. Estas piezas se suministran en el kit de LPU y puesta a tierra.

- 1 Desmonte el prensa estopas y pase cada pieza por el cable (el tapón de goma está dividido). Monte la presilla y el tapón de goma:



- 2 Introduzca las piezas en el cuerpo y atornille ligeramente la tuerca del prensa estopas con una llave fija o de vaso de 24 mm (no la apriete):





**Conexión del cable de bajada a la ODU (puerto PSU) y la LPU**

- 1 (a) Inserte el conector RJ45 en el zócalo de la unidad, asegurándose de que encaje en su sitio.  
 (b) Coloque el cuerpo del prensaestopas en el puerto RJ45 y apriételo con un par de 5,5 Nm:



- 2 (a) Monte la tuerca del prensaestopas y apriete hasta que la junta de goma se cierre en el cable  
 (b) No apriete en exceso la tuerca del prensaestopas, ya que existe el riesgo de dañar sus componentes internos:



## Desconexión del cable de bajada de la LPU o la ODU

Utilice este procedimiento si es necesario retirar un prensaestopas de descarga de tracción EMC y un conector RJ45 de la ODU (según ilustra la imagen) o la LPU.

- 1 (a) Retire la tuerca del prensaestopas. Mueva el cable de bajada para liberar la tensión del cuerpo del prensaestopas. Cuando se libera la tensión en el cuerpo del prensaestopas, se abre un espacio en el punto indicado. Desenrosque el cuerpo del prensaestopas.
- (b) Utilice un destornillador pequeño para presionar el terminal de bloqueo RJ45 y retire a continuación el conector RJ45.

(a)



(b)



## Instalación del cable de bajada principal

**Advertencia** El apantallado metálico del cable de bajada es muy afilado y puede provocar lesiones.



- Utilice SIEMPRE guantes resistentes al corte (observe la etiqueta para asegurarse de que sean resistentes al corte).
- Lleve SIEMPRE gafas de protección.
- Utilice SIEMPRE una herramienta giratoria de corte para pelar el cable (NO use una cuchilla).

**Advertencia** El incumplimiento de las siguientes precauciones puede ocasionar lesiones o la muerte:



- Use la empuñadura de elevación adecuada para el cable que se está instalando. Si se utiliza una empuñadura de elevación incorrecta, se producirá un deslizamiento o el agarre será insuficiente.
- No reutilice las empuñaduras de elevación. Las empuñaduras usadas pueden haber perdido elasticidad, pueden haberse estirado o debilitado. La reutilización de una empuñadura puede hacer que el cable se deslice, se rompa o caiga.
- El requisito mínimo es una empuñadura de elevación por cada 60 m de cable.

## Corte a medida y fijación de empuñaduras de elevación

- 1 Corte a medida el cable de bajada principal desde la LPU superior hasta la LPU inferior.
- 2 Deslice una o más empuñaduras de elevación en el extremo superior del cable de bajada.

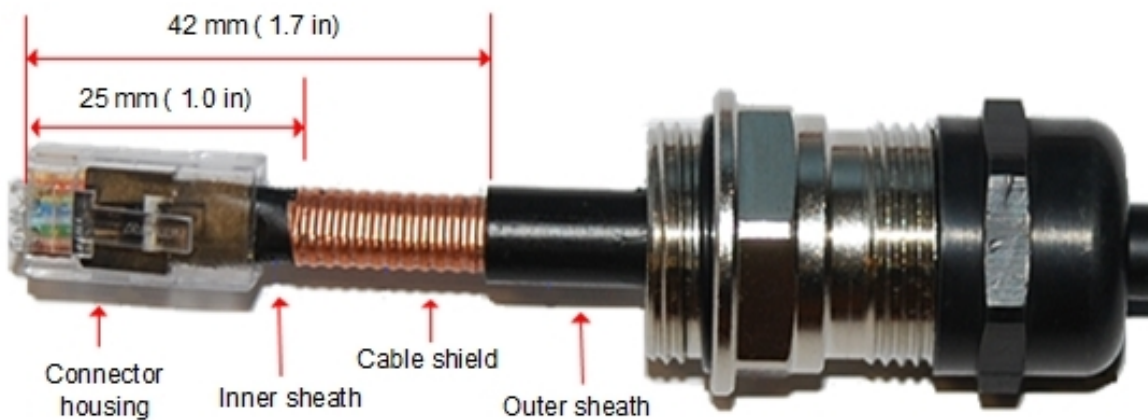
- 3 Fije la empuñadura de elevación al cable con una herramienta especial, según las recomendaciones del fabricante.

### Terminación con conectores RJ45 y prensaestopas



Atención Compruebe que la herramienta de engaste o crimpadora se adapta al conector RJ45, de lo contrario el cable o el conector podrían resultar dañados.

- 1 Pase el prensaestopas (tapón negro) por el cable de bajada principal.
- 2 Pele la cubierta exterior del cable y coloque la barra de carga del conector RJ45.
- 3 Monte la carcasa del conector RJ45 según ilustra la imagen. Para asegurarse de que se produzca una descarga de tracción efectiva, coloque la funda interior del cable debajo de la espiga de la carcasa del conector. No apriete la tuerca del prensaestopas:



### Elevación y fijación del cable de bajada principal



Advertencia El incumplimiento de las siguientes precauciones puede ocasionar lesiones o la muerte:

- Utilice la empuñadura de elevación para elevar solamente un cable. Si se intenta elevar más de un cable, la empuñadura de elevación puede romperse o los cables pueden caer.
- No utilice la empuñadura de elevación para bajar el cable a menos que la abrazadera esté bien colocada.
- Mantenga la tensión en la empuñadura de elevación durante la elevación. La pérdida de tensión puede causar un movimiento peligroso del cable y provocar lesiones o la muerte.
- No suelte la tensión de la empuñadura hasta que la empuñadura se haya fijado a la estructura de soporte.
- No aplique tensión a los conectores RJ45.



Atención No tienda el cable de bajada junto a un terminal de pararrayos.

- 1 Eleve el extremo superior del cable de bajada principal hasta la LPU superior, siguiendo las instrucciones del fabricante del dispositivo de elevación. Cuando el cable esté en posición, fije la empuñadura a la estructura de soporte y retire la línea de elevación.

- 2 Conecte el cable de bajada principal a la LPU superior siguiendo el procedimiento Conexión del cable de bajada a la ODU (puerto PSU) y la LPU en la página 18.
- 3 Tienda el cable de bajada principal al emplazamiento de la LPU inferior.
- 4 Fije el cable de caída principal a la estructura de soporte utilizando métodos aprobados para el emplazamiento.

### Puesta a tierra del cable de bajada principal

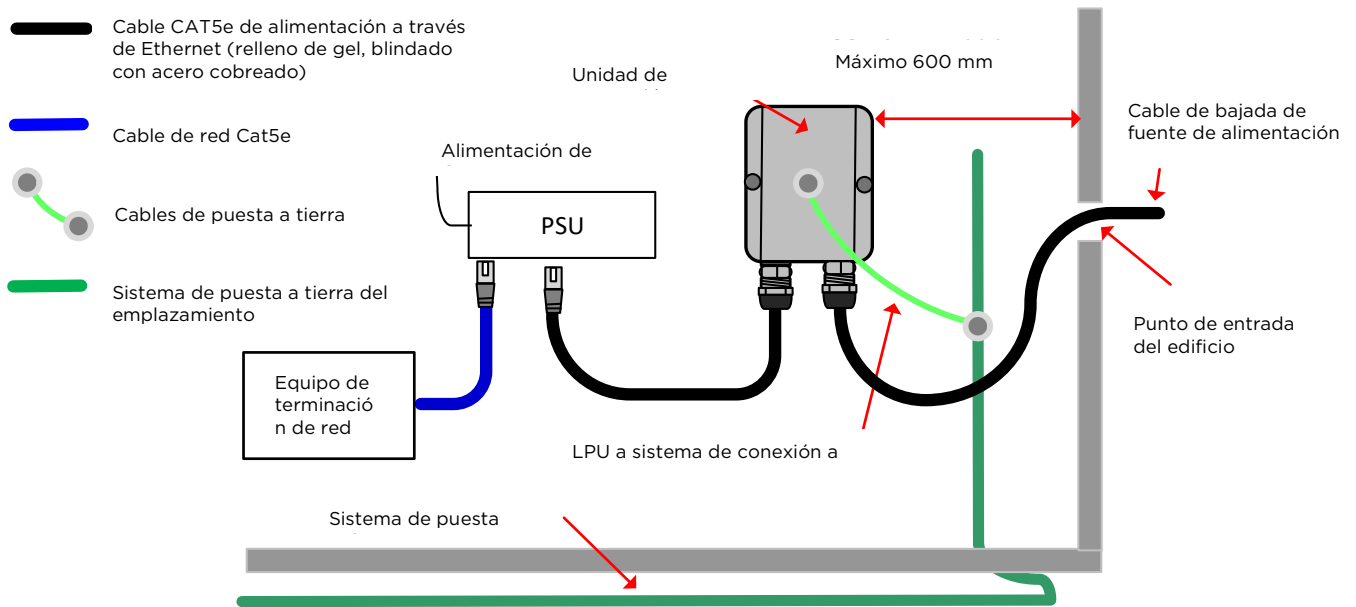
Conecte el blindaje del cable de bajada principal al metal de la estructura de soporte en todos los puntos de conexión a tierra requeridos utilizando el kit de puesta a tierra de cable (número de pieza Cambium 01010419001).

## Instalación del cable de bajada de la LPU inferior a la fuente de alimentación

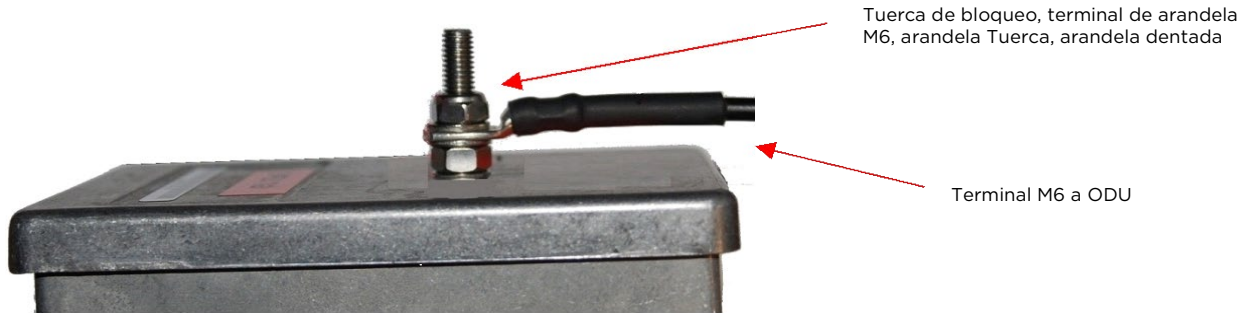
### Instalación de la LPU inferior

Instale la LPU inferior, póngala a tierra y conéctela al cable de bajada principal.

- 1 Seleccione un punto de montaje para la LPU inferior a menos de 0,6 metros del punto de entrada al edificio. Monte la LPU verticalmente con prensaestopas apuntando hacia abajo.



- 2 Conecte el cable de bajada principal a la LPU inferior siguiendo el procedimiento Conexión del cable de bajada a la ODU (puerto PSU) y la LPU en la página 18.
- 3 Fije un cable de conexión a tierra a la LPU inferior utilizando el terminal M6 (pequeño). Aplique un par de apriete de 5 Nm a ambas tuercas:



- 4 Seleccione un punto de puesta a tierra del edificio cerca del soporte de la LPU. Retire la pintura de la superficie y aplique el compuesto antioxidante. Fije el cable de conexión a tierra de la LPU utilizando el terminal M10 (grande).

### Instalación del cable de bajada de la LPU a la fuente de alimentación

Utilice este procedimiento para terminar el cable de bajada de la LPU inferior a la fuente de alimentación con conectores RJ45 en ambos extremos y con un prensaestopas en el extremo de la LPU.



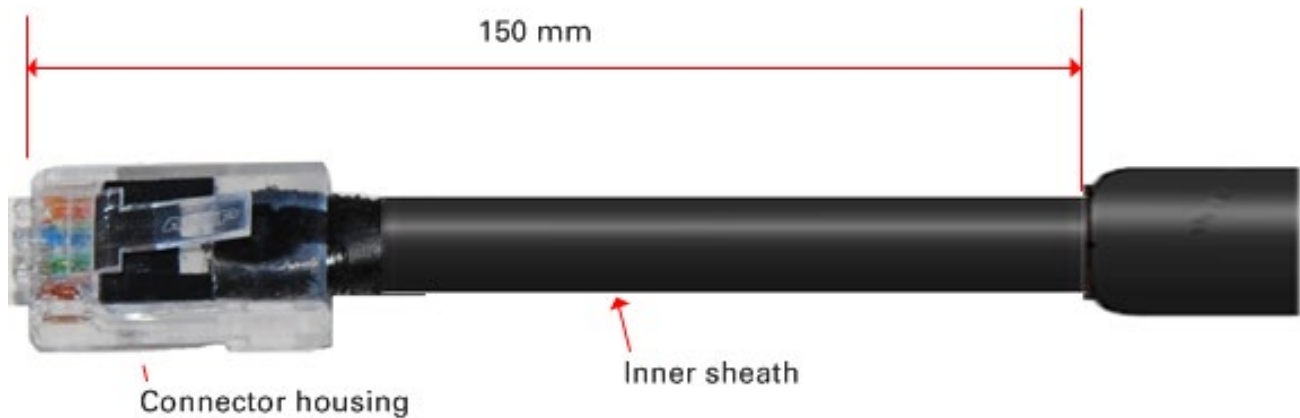
Advertencia El apantallado metálico del cable de bajada es muy afilado y puede provocar lesiones.

- Utilice SIEMPRE guantes resistentes al corte (observe la etiqueta para asegurarse de que sean resistentes al corte).
- Lleve SIEMPRE gafas de protección.
- Utilice SIEMPRE una herramienta giratoria de corte para pelar el cable (NO use una cuchilla).



Atención Compruebe que la herramienta de engaste o crimpadora se adapta al conector RJ45, de lo contrario el cable o el conector podrían resultar dañados.

- 1 Corte a la longitud requerida el cable de bajada desde la LPU inferior a la fuente de alimentación.
- 2 En el extremo de la LPU únicamente:
  - Monte un prensaestopas y un conector RJ45 siguiendo el procedimiento Terminación con conectores RJ45 y prensaestopas en la página 19.
  - Conecte este cable y prensaestopas a la LPU inferior siguiendo el procedimiento Conexión del cable de bajada a la ODU (puerto PSU) y la LPU en la página 18.
- 3 Solo en el extremo de la fuente de alimentación: no coloque prensaestopas. Pele la cubierta exterior del cable y coloque la barra de carga del conector RJ45. Monte la carcasa del conector RJ45. Para asegurarse de que se produzca una descarga de tracción efectiva, coloque la funda interior del cable debajo de la espiga de la carcasa del conector.



## Comprobación de resistencia en el cable de bajada

Conecte el extremo inferior del cable de bajada de cobre Cat5e a un comprobador de cable adecuado y compruebe que las resistencias entre los pines están dentro de los límites correctos, tal y como se especifica en la siguiente tabla. Si alguna de las pruebas falla, examine el cable de bajada en busca de fallos.

Mida la resistencia entre...	Introduzca la resistencia medida	Para superar la prueba, la resistencia debe ser...	Rodee con un círculo «Correcto» o «No correcto»	Pruebas adicionales y notas
Pines 1 y 2	Ohm	<20 Ohm (60 Ohm) (*1)	Correcto No correcto	
Pines 3 y 6	Ohm	<20 Ohm (60 Ohm) (*1)	Correcto No correcto	Las resistencias deben estar dentro del 10% la una de la otra (*2). Rodee con un círculo
Pines 4 y 5	Ohm	<20 Ohm (60 Ohm) (*1)	Correcto No correcto	Correcto No correcto
Pines 7 y 8	Ohm	<20 Ohm (60 Ohm) (*1)	Correcto No correcto	
Pin 1 y apantallado (masa de la ODU)	K Ohm	>100K Ohm	Correcto No correcto	Estos límites son válidos con independencia de la longitud del cable.
Pin 8 y apantallado (masa de la ODU)	K Ohm	>100K Ohm	Correcto No correcto	

(\*1) Una resistencia de 20 ohm es el máximo permitido cuando el cable transporta Ethernet.

Una resistencia de 60 ohm es la máxima permitida cuando el cable solo lleva alimentación a la ODU (cuando Ethernet es transportado por una de las otras interfaces de la ODU).

(\*2) Asegúrese de que estas resistencias están dentro del 10% entre sí multiplicando la resistencia más baja por 1,1; si alguna de las otras resistencias es mayor, indica que la prueba ha fallado.

## Instalación de la fuente de alimentación

Instale uno de los siguientes tipos de fuente de alimentación (según se especifica en el plan de instalación):

- Inyector de alimentación de CA (número de pieza Cambium N000065L001C).
- Inyector de alimentación reforzado de CA+CC (número de pieza Cambium C000065L002C).



Atención Como la fuente de alimentación no es impermeable, colóquela lejos de fuentes de humedad, ya sea en el edificio o en un armario ventilado a prueba de humedad. No coloque la fuente de alimentación en una posición en la que pueda superar su temperatura nominal de trabajo.



Atención No enchufe ningún otro dispositivo que no sea una ODU PTP 650, PTP 670 o PTP 700 en el puerto ODU de la fuente de alimentación. Si se utilizan técnicas no estándar para inyectar la alimentación de CC en la conexión Ethernet entre la fuente de alimentación y la ODU, otros dispositivos pueden resultar dañados.

No enchufe ningún otro dispositivo que no sea una fuente de alimentación PTP 670 de Cambium al puerto PSU de la ODU. La conexión de cualquier otro dispositivo al puerto PSU de la ODU puede dañar la ODU y el dispositivo.

## Instalación del inyector de alimentación de CA

Siga este procedimiento para instalar el inyector de alimentación de CA (número de pieza Cambium N000065L001C):

- 1 Forme un bucle de goteo en el extremo de la fuente de alimentación del cable de bajada de la LPU. El bucle de goteo evita que la humedad que se desliza por el cable acabe entrando en la fuente de alimentación.
- 2 (a) Coloque el inyector de alimentación de CA sobre una superficie horizontal. Conecte el cable de bajada de la LPU a la fuente de alimentación en el puerto ODU.  
(b) Cuando el sistema esté listo para la conexión de red, conecte el cable de red Cat5e al puerto LAN de la fuente de alimentación:

(a)



(a)



## Instalación del inyector de alimentación reforzado de CA+CC

Siga este procedimiento para instalar el inyector de alimentación reforzado de CA+CC (número de pieza Cambium C000065L002C):

- 1 Monte el inyector de alimentación reforzado de CA+CC fijándolo a una superficie vertical u horizontal utilizando los cuatro orificios para tornillos (dos orificios rodeados con un círculo):



- 2 Forme un bucle de goteo en el extremo de la fuente de alimentación del cable de bajada de la LPU. El bucle de goteo asegura que la humedad que se desliza por el cable no acabe entrando en la fuente de alimentación.
- 3
  - (a) Afloje el tornillo de retención, vuelva a colocar la tapa y conecte el cable de bajada en el puerto.
  - (b) Cierre la tapa y asegúrela con el tornillo.
  - (c) Cuando el sistema esté listo para la conexión de red, conecte el cable Cat5e de red al puerto LAN de la fuente de alimentación:

(a)



(b) and (c)





## Configuración de la ODU para operación en la UE

### Generación de una clave de licencia específica del país

En la serie PTP 670 se utiliza una clave de licencia para activar nuevas funciones y para alterar los ajustes normativos de una ODU. La nueva clave de licencia incluirá las bandas reguladoras permitidas en el país de operación especificado. Utilice este procedimiento para generar la clave de licencia.

#### Procedimiento:

- 1 Vaya al centro de soporte de Cambium en:  
<https://support.cambiumnetworks.com/licensekeys/ptp50670>
- 2 Introduzca la dirección MAC de la ODU y seleccione el país en el que se implementará el enlace PTP.
- 3 Acepte los términos y condiciones y haga clic en Enviar.
- 4 Localice la ODU por dirección MAC y copie la clave de licencia generada desde la página Claves de licencia.
- 5 Guarde la clave de licencia (por ejemplo, pegándola en un editor de texto y guardando el archivo) para utilizarla en el futuro.

### Configuración del PC de administración

Utilice este procedimiento para configurar el PC de administración local para la comunicación con la PTP 670.

#### Procedimiento:

- 1 Seleccione Propiedades para el puerto Ethernet. En Windows 10, esto se encuentra en Panel de control > Redes e Internet > Centro de redes y recursos compartidos > Cambiar configuración del adaptador. Haga clic con el botón derecho del ratón en el icono para el adaptador de Ethernet y seleccione Propiedades.
- 2 Seleccione Protocolo de Internet versión 4 (TCP/IPv4):
- 3 Haga clic en Propiedades.
- 4 Introduzca una dirección IP que sea válida para la red 169.254.X.X, evitando 169.254.0.0 y 169.254.1.1. Un buen ejemplo es 169.254.1.3.
- 5 Introduzca una máscara de subred 255.255.0.0. Deje en blanco la pasarela predeterminada.

### Conexión de la ODU al PC y encendido

Utilice este procedimiento para conectar un PC de administración y poner en marcha la PTP 670.

#### Procedimiento:

- 1 Compruebe que la ODU y la fuente de alimentación están correctamente conectadas.
- 2 Conecte el puerto Ethernet del PC al puerto LAN de la fuente de alimentación utilizando un cable Ethernet estándar (no cruzado).
- 3 Conecte la fuente de alimentación a una toma de corriente o proporcione alimentación desde una batería. El LED de alimentación verde debe iluminarse de forma continua.
- 4 Después de unos 45 segundos, compruebe que el LED Ethernet naranja se ilumina con 10 destellos lentos.
- 5 Controle que el LED Ethernet se ilumina luego de forma continua.

## Inicio de sesión en la interfaz web

Utilice este procedimiento para iniciar sesión en la interfaz web como administrador del sistema.

### Procedimiento:

- 1 Inicie el navegador web desde el PC de administración.
- 2 Escriba la dirección IP de la unidad en la barra de dirección. La dirección IP predeterminada de fábrica es 169.254.1.1. Pulse INTRO. Se muestra el menú de la interfaz web y la página Resumen del sistema.
- 3 En el menú, haga clic en Instalación. La página de inicio de sesión se muestra solo con Contraseña (la predeterminada) o con Nombre de usuario y Contraseña (si se han habilitado cuentas de usuario basadas en identidad). La contraseña predeterminada está en blanco.
- 4 Introduzca el nombre de usuario (si se solicita) y la contraseña (la predeterminada está en blanco) y haga clic en Iniciar sesión.

## Actualización de la clave de licencia y configuración de la ODU

Utilice este procedimiento para instalar una nueva clave de licencia y para configurar la ganancia de antena y la pérdida de cable para una ODU conectorizada.

### Procedimiento:

- 1 En el menú, haga clic en Instalación. Haga clic en Continuar asistente de instalación.
- 2 En la página Clave de licencia de software, pegue la clave de licencia en el atributo Clave de licencia. Haga clic en Enviar o Formato.
- 3 Para una ODU integrada, haga clic en Siguiente en las páginas sucesivas hasta que se muestre la página Configuración inalámbrica. Fije los atributos Banda reguladora y Potencia máxima de transmisión para la operación en la banda seleccionada. Tenga en cuenta que en algunos estados miembros de la UE, la banda de 5,4 GHz puede ser la única banda disponible.  
  
Haga clic en Siguiente en las páginas sucesivas hasta que se muestre la página Confirmar configuración de instalación. Haga clic en Confirmar configuración y reiniciar.
- 4 Para una ODU conectorizada, haga clic en Siguiente en las páginas sucesivas hasta que se muestre la página Configuración inalámbrica. Fije los atributos Banda reguladora, Ganancia de antena, Pérdida de cable y Potencia máxima de transmisión para que coincidan con la antena y los cables utilizados en la instalación. Tenga en cuenta que en algunos estados miembros de la UE, la banda de 5,4 GHz puede ser la única banda disponible.  
  
Haga clic en Siguiente en las páginas sucesivas hasta que se muestre la página Confirmar configuración de instalación. Haga clic en Confirmar configuración y reiniciar.

# Cambium Networks

Cambium Networks ofrece soluciones de banda ancha inalámbrica fija y soluciones de microondas de calidad profesional para clientes de todo el mundo. Nuestras soluciones están implementadas en miles de redes de más de 153 países, con innovadoras tecnologías que proporcionan una conectividad fiable, segura y económica, de fácil implementación y que han demostrado ofrecer un rendimiento excepcional.

Nuestras galardonadas soluciones de radio punto a punto (PTP) operan en bandas de frecuencia de uso definido, sin licencia y con licencia, incluyendo soluciones FIPS 140-2 específicas para el mercado federal de Estados Unidos. Nuestras soluciones PTP disponen de un grado de robustez que asegura una disponibilidad del 99,999% y cuentan con un historial impecable a la hora de proporcionar conectividad de red de backhaul altamente fiable y de alta velocidad, incluso en los entornos RF sin visibilidad directa más complejos.

Nuestras flexibles soluciones punto a multipunto (PMP) operan en las bandas de frecuencia con licencia, sin licencia y federales, proporcionando redes de acceso fiables, seguras y económicas. Con más de tres millones de módulos implementados en redes de todo el mundo, nuestras soluciones de red de acceso PMP demuestran su eficacia día tras día en aplicaciones de acceso residencial, sustitución de líneas arrendadas, videovigilancia e infraestructura de redes eléctricas inteligentes.

Cambium Networks proporciona soluciones líderes acreditadas y respetadas en el mercado de la banda ancha inalámbrica. Diseñamos, implementamos y entregamos innovadoras soluciones de conectividad para datos, voz y vídeo que permiten y garantizan las comunicaciones que necesita la vida, potenciando el crecimiento personal, comercial y comunitario prácticamente en todo el mundo.

Guías de usuario:	<a href="http://www.cambiumnetworks.com/guides">http://www.cambiumnetworks.com/guides</a>
Formación técnica:	<a href="http://www.cambiumnetworks.com/technical_training">http://www.cambiumnetworks.com/technical_training</a>
Sitio web de soporte:	<a href="https://support.cambiumnetworks.com">https://support.cambiumnetworks.com</a>
Sitio web principal:	<a href="http://www.cambiumnetworks.com">http://www.cambiumnetworks.com</a>
Consultas de ventas:	<a href="mailto:solutions@cambiumnetworks.com">solutions@cambiumnetworks.com</a>
Consultas de soporte:	<a href="https://support.cambiumnetworks.com">https://support.cambiumnetworks.com</a>
Lista de números de teléfono:	<a href="http://www.cambiumnetworks.com/contact-us/">http://www.cambiumnetworks.com/contact-us/</a>
Dirección:	Cambium Networks Limited, Linhay Business Park, Eastern Road, Ashburton, Devon, Reino Unido, TQ13 7UP

phn-4835 000v002

Diciembre de 2018

**Precisione**

Sebbene siano stati fatti sforzi ragionevoli per assicurare l'accuratezza del presente documento, Cambium Networks non si assume alcuna responsabilità derivante da eventuali inesattezze o omissioni contenute nel presente documento, o dall'uso delle informazioni ottenute nel presente documento. Cambium Networks si riserva il diritto di apportare modifiche a qualsiasi prodotto qui descritto per migliorarne l'affidabilità, la funzionalità o la progettazione e si riserva il diritto di rivedere il presente documento e apportare modifiche di volta in volta al contenuto del presente documento senza obbligo di notifica a chiunque in merito a revisioni o cambiamenti. Cambium Networks non si assume alcuna responsabilità derivante dall'applicazione o dall'uso di prodotti, software o circuiti descritti nel presente documento, né trasmette licenze o concessioni con i propri diritti di brevetto o diritti di altri. È possibile che la presente pubblicazione contenga riferimenti o informazioni relativamente a prodotti di Cambium Networks (macchine e programmi), programmazioni o servizi non annunciati nel Paese dell'utente. Tali riferimenti o informazioni non implicano che Cambium Networks intenda annunciare tali prodotti, programmazioni o servizi di Cambium Networks nel Paese dell'utente.

**Copyright**

Il presente documento, i prodotti Cambium Networks e i prodotti software di terze parti descritti nel presente documento possono includere o descrivere reti di Cambium protette da copyright e altri programmi per computer forniti da terze parti memorizzati in memorie a semiconduttore o altri supporti. Le leggi negli Stati Uniti e in altri paesi conservano per Cambium Networks, i suoi licenzianti e altri software forniti da terze parti, alcuni diritti esclusivi per il materiale protetto da copyright, incluso il diritto esclusivo di copiare, riprodurre in qualsiasi forma, distribuire e realizzare opere derivate del materiale protetto da copyright. Di conseguenza, qualsiasi materiale protetto da copyright di Cambium Networks, i suoi licenziatari o il software fornito da terze parti contenuto nei prodotti Cambium Networks descritti nel presente documento non possono essere copiati, riprodotti, decodificati, distribuiti, uniti o modificati in alcun modo senza l'espressa autorizzazione scritta di Cambium Networks. Inoltre, l'acquisto di prodotti di Cambium Networks non implica alcuna concessione, direttamente o implicitamente, in preclusione o in altro modo, di licenze concesse da copyright, brevetti o domande di brevetto di Cambium Networks o altri software forniti da terze parti, a eccezione della normale licenza non esclusiva e gratuita per l'uso che deriva dalla legge nella vendita di un prodotto.

**Limitazioni**

Software e documentazione sono materiali protetti da copyright. L'esecuzione di copie non autorizzate è proibita dalla legge. Nessuna parte del software o della documentazione può essere riprodotta, trasmessa, trascritta, archiviata in un sistema di recupero o tradotta in qualsiasi lingua o linguaggio di computer, in qualsiasi forma o con qualsiasi mezzo, senza previa autorizzazione scritta di Cambium Networks.

**Accordi di licenza**

Il software descritto in questo documento è di proprietà di Cambium Networks e dei suoi licenziatari. Viene fornito esclusivamente da un accordo di licenza esplicita e può essere utilizzato solo in conformità con i termini di tale accordo.

**Materiali ad alto rischio**

Cambium e i suoi fornitori declinano espressamente qualsiasi garanzia di idoneità espressa o implicita per attività o usi ad alto rischio dei propri prodotti, tra cui, a titolo esemplificativo, il funzionamento di impianti nucleari, sistemi di navigazione o comunicazione aerea, controllo del traffico aereo, supporto vitale o sistemi d'arma ("Uso ad alto rischio"). Qualsiasi Uso ad alto rischio non è autorizzato, è considerato a proprio rischio dell'utente e l'utente sarà ritenuto responsabile per qualsiasi perdita, danno o reclamo derivanti da qualsiasi Uso ad alto rischio.

## Avvisi

### Informazioni su questa Guida introduttiva

Questa Guida introduttiva descrive come installare l'attrezzatura in sito per i ponti radio con la serie di prodotti PTP 670. Gli utenti di questa guida devono seguire le buone pratiche per le installazioni di radio in esterni.

Nelle configurazioni più avanzate possono esservi una o due interfacce Ethernet aggiuntive collegate all'ODU: una alla porta SFP (rame o ottica) e una alla porta AUX. Per i dettagli di queste configurazioni, fare riferimento alla Guida dell'utente della serie PTP 670.

Questa Guida introduttiva descrive come distribuire PTP 670 nei seguenti paesi:

- Irlanda
- Norvegia
- Regno Unito (UK)

Le guide introduttive PTP 670 sono disponibili per altri stati membri dell'UE. Si prega di visitare:

<http://www.cambiumnetworks.com/guides>

### Uso previsto

La serie di apparecchiature radio PTP 670 di Cambium Networks supporta la trasmissione dati su ponti radio a microonde punto-punto (PTP). Questo tipo di apparecchiatura radio è destinata esclusivamente ad applicazioni professionali per installazioni fisse all'esterno. Queste apparecchiature radio sono disponibili con antenna integrata o come unità per il collegamento con un'antenna esterna.

### Funzionamento nell'UE

#### Bande di frequenza, massima potenza di lavoro, distanze di sicurezza

I prodotti della serie PTP 670 operano nelle seguenti bande di frequenza fino alla potenza massima indicata:

Banda di frequenza di esercizio	Standard UE	Limite di potenza massima (EIRP)	Uso consentito	Distanza di sicurezza minima
5470 - 5600 MHz 5650 - 5725 MHz	EN 301 893	1 watt/30 dBm	UK, Ireland, Norway: Unlicensed.	0 cm

#### Restrizioni e requisiti per l'autorizzazione all'uso

Questa apparecchiatura è destinata esclusivamente all'uso esterno.

I prodotti della serie PTP 670 Cambium possono essere configurati per operare in bande di frequenza con o senza licenza, soggette a pianificazione delle frequenze all'interno dei singoli Paesi. Operatori e utenti finali devono assicurarsi che l'apparecchiatura sia installata e gestita in conformità alle norme vigenti nel Paese di funzionamento e devono ottenere tutte le licenze e le autorizzazioni necessarie.

#### Antenne per unità connettorizzate

Le ODU PTP 670 connettorizzate sono progettate per l'allacciamento a una doppia antenna polarizzata, utilizzando la polarizzazione verticale e orizzontale. Le radio sono state collaudate per la conformità alle normative UE utilizzando i tipi di antenna elencati di seguito. Viene mostrato il guadagno massimo di ciascun tipo di antenna. Possono essere utilizzate antenne dello stesso tipo e con guadagno equivalente o inferiore. Non usare un'antenna con guadagno maggiore. Per ridurre le potenziali interferenze radio con altri utenti, il tipo di antenna e il guadagno devono essere scelti in modo tale che l'equivalente potenza isotropica irradiata (EIRP) non sia superiore a quella necessaria per una comunicazione riuscita.

Tipo di antenna	Guadagno di antenna del produttore (dBi)		
	Banda da 4,9 GHz, banda da 5,1 GHz	Banda da 5,4 GHz	Banda da 5,8 GHz
Parabola da 1,8 m	36,0	Non supportata	38,1
Parabola da 1,2 m	32,6	34,9	35,3
A pannello	23,0	23,0	23,0
Settorizzata	17,0	17,0	17,0
Omnidirezionale	13,0	13,0	13,0

## Antenne paraboliche consigliate

Le seguenti antenne paraboliche sono idonee per l'uso con ODU PTP 670 connettorizzate, soggette al guadagno massimo dell'antenna mostrato sopra.

Numero di parte Cambium	Descrizione
RDH4503B	5,25-5,85 GHz 0,6 m, 29,0 dBi, doppia polarizzazione, H-Pol e V-Pol, con regolazioni fini
RDH4504B	5,25-5,85 GHz 0,9 m, 32,5 dBi, doppia polarizzazione, H-Pol e V-Pol
RDH4505B	5,25-5,85 GHz 1,2 m, 34,9 dBi, doppia polarizzazione, H-Pol e V-Pol
RDH4506B	5,25-5,85 GHz 1,8 m, 37,9 dBi, doppia polarizzazione, H-Pol e V-Pol
RDH4508B	5,25-5,85 GHz (0,6 m), 28,8 dBi, doppia polarizzazione ad alte prestazioni
RDH4509B	5,25-5,85 GHz (0,9 m), 32,3 dBi, doppia polarizzazione ad alte prestazioni
RDH4510B	5,25-5,85 GHz (1,2 m), 34,7 dBi, doppia polarizzazione ad alte prestazioni
RDH4511B	5,25-5,85 GHz (1,8 m), 37,7 dBi, doppia polarizzazione ad alte prestazioni

## Configurazione dell'ODU

Durante l'installazione, osservare le seguenti importanti istruzioni. La corretta osservanza delle istruzioni permette di configurare l'apparecchiatura in conformità alle disposizioni delle normative nazionali.

- Assicurarsi che sull'ODU sia installata la versione più recente del firmware. Il firmware è disponibile sul sito Web del centro di assistenza di Cambium, vedere il collegamento più sotto.
- Durante la configurazione dell'apparecchiatura, verificare la corretta variante regionale UE dell'ODU. Utilizzare il centro assistenza di Cambium per generare un codice di licenza specifico per il Paese in cui viene utilizzato il prodotto. Installare il codice di licenza nell'ODU. Il codice di licenza sbloccherà ulteriori bande normative consentite nel Paese di utilizzo.
- Per le unità connettorizzate, inserire il guadagno dell'antenna e la perdita di cavo negli attributi Antenna Gain e Cable Loss nella pagina di configurazione del sistema dell'interfaccia basata sul Web.

## Dichiarazione di conformità UE semplificata

Il produttore Cambium Networks Ltd dichiara che le apparecchiature radio PTP 670 a 5 GHz connettorizzate e PTP 670 a 5 GHz integrate sono conformi alla Direttiva 2014/53/UE. Il testo integrale della dichiarazione di conformità UE è disponibile alla pagina:

<http://www.cambiumnetworks.com/support/compliance/>

## Installazione professionale

L'installazione e il funzionamento di questo prodotto sono complessi. Osservare le istruzioni riportate in questa scheda. Assicurarsi che il funzionamento sia conforme alle normative del Paese in cui viene installato il prodotto.

Garantire che gli installatori dispongano delle competenze, delle conoscenze e dell'esperienza appropriate per svolgere l'attività di installazione, tra cui:

- Familiarità con le normative nazionali applicabili in vigore, comprese le norme sulle apparecchiature radio, sull'installazione elettrica, sulla protezione da sovratensioni e sui lavori in quota;
- Installazione in conformità alle istruzioni di Cambium Networks;
- Conferma della corrispondenza delle impostazioni dell'apparecchiatura alle normative nazionali o regionali.

## Documentazione utente

Per le istruzioni complete sulla pianificazione dell'installazione dell'unità PTP 670 e un elenco di componenti, scaricare la *Guida dell'utente della serie PTP 670* da:

<http://support.cambiumnetworks.com/files/ptp670>

## Direttiva sui rifiuti di apparecchiature elettriche ed elettroniche (RAEE)



Non smaltire le apparecchiature elettroniche ed elettriche o gli accessori elettronici ed elettrici insieme ai rifiuti domestici. In alcuni Paesi o regioni sono stati allestiti sistemi di raccolta per la gestione dei rifiuti di apparecchiature elettriche ed elettroniche. Nei Paesi dell'Unione Europea, per informazioni sul sistema di raccolta dei rifiuti nel proprio Paese si prega di contattare il rappresentante locale del fornitore delle apparecchiature o il Centro assistenza di Cambium Networks.

Per istruzioni sullo smaltimento dei rifiuti dei prodotti usati, consultare:

<http://www.cambiumnetworks.com/support/weee-compliance>

## Sicurezza



**Avvertenza** Per prevenire la perdita di vite umane o lesioni fisiche, attenersi alle linee guida sulla sicurezza riportate di seguito. In nessun caso Cambium Networks sarà responsabile per eventuali lesioni o danni causati durante l'installazione di Cambium PTP 670. Assicurarsi che solo personale qualificato installi un ponte PTP 670.

### Linee elettriche

Prestare la massima attenzione quando si lavora vicino alle linee di alimentazione.

### Lavoro in quota

Prestare la massima attenzione quando si lavora in quota.

### PSU

Utilizzare sempre l'iniettore di alimentazione CA o l'iniettore potenziato CA+CC per alimentare l'ODU. Il mancato utilizzo di PSU fornita da Cambium potrebbe provocare danni alle apparecchiature, invalidare la certificazione di sicurezza e causare rischi per la sicurezza.

### Messa a terra e protezione

L'unità esterna (ODU, Outdoor Unit) deve essere collegata a terra in modo corretto per la protezione da fulmini. È responsabilità dell'utente installare l'apparecchiatura in conformità alle normative nazionali. Negli Stati Uniti, seguire i requisiti del National Electrical code NFPA 70-2005 e 780-2004 *Installation of Lightning Protection Systems*. In Canada, seguire la Sezione 54 del *Canadian Electrical Code*. Questi codici descrivono le corrette

procedure di installazione per la messa a terra dell'unità esterna, dell'albero, dell'elettrodo per l'alimentazione, dell'unità di scarico, dimensioni dei conduttori a terra e requisiti di collegamento per gli elettrodi di messa a terra. Altre normative possono essere in vigore in Paesi diversi, pertanto si raccomanda di affidare l'installazione dell'unità esterna a un installatore professionista.

## Alimentazione CC

Per alimentare l'ODU con corrente continua, utilizzare l'iniettore potenziato CA+CC (PSU) (numero di parte Cambium C000065L002C). Assicurarsi che l'alimentazione CC soddisfi i requisiti specificati nella *Guida dell'utente della serie PTP 670*.

## Spegnimento prima di effettuare interventi di manutenzione

Prima di eseguire manutenzione sull'unità PTP 670, spegnere sempre l'alimentazione e scollegare l'apparecchiatura dalla PSU. Non scollegare i connettori RJ45 del cavo di discesa dall'ODU mentre la PSU è collegata all'alimentazione. Rimuovere sempre l'alimentazione CA o CC in ingresso dalla PSU.

## Dispositivo di disconnessione primario

L'alimentazione principale è il dispositivo di disconnessione primario. L'iniettore potenziato CA-CC è fuso sull'ingresso CC. Alcune installazioni richiedono anche un interruttore di corrente aggiuntivo o uno switch di isolamento da inserire nell'alimentazione CC.

## Cavi esterni

La sicurezza può risultare compromessa dal mancato utilizzo di cavi classificati per esterni negli allacciamenti che saranno esposti all'ambiente esterno. Per le interfacce Ethernet Cat5e in rame esterne, utilizzare sempre un cavo Cat5e riempito di gel e schermato con acciaio ramato. Tipi alternativi di cavo di discesa non sono supportati da Cambium Networks per l'utilizzo con PTP 670.

Utilizzare sempre un elettricista qualificato per l'installazione dei cavi di corrente.

## Tester per cavi di discesa

Un tester per cavi di discesa NON DEVE MAI essere utilizzato sull'estremità ODU collegata all'alimentazione dalla PSU. L'utilizzo di un multimetro è consentito solo nella parte inferiore dell'albero. Questo perché la tensione della PSU supera il limite consentito in alcuni Paesi per la manipolazione sicura in condizioni di umidità e pertanto può comportare un rischio per la sicurezza.

## Esposizione RF vicino all'antenna

Quando il trasmettitore è acceso, vicino all'antenna sono presenti forti campi di radiofrequenza (RF). Spegnere sempre l'ODU prima di intraprendere attività di manutenzione davanti all'antenna.

## Distanze minime di separazione

Assicurarsi che il personale non sia esposto a livelli di energia RF non sicuri. Le unità iniziano a irradiare energia RF non appena vengono accese. Non lavorare mai davanti all'antenna quando l'ODU è alimentata. Installare le ODU in modo da fornire e mantenere le distanze minime di separazione da tutte le persone.

## Requisiti di protezione di messa a terra e antifulmini

Assicurarsi che l'installazione soddisfi i requisiti specificati nella *Guida dell'utente della serie PTP 670*.

## Metodi di installazione del cavo di messa a terra

Per fornire una protezione efficace contro i picchi indotti da fulmini, osservare i seguenti requisiti:

- Le corse dei conduttori di messa a terra devono essere il più possibile brevi, diritte e lisce, con il minimo impiego di pieghe e curve.
- I cavi di messa a terra non devono essere installati con passanti di sgocciolatura.



- Tutte le curve devono avere un raggio minimo di 203 mm e un angolo minimo di 90°. Una corsa diagonale è preferibile a una curva, anche se non segue il contorno o se non corre parallela alla struttura di supporto.
- Tutte le pieghe, le curve e gli allacciamenti devono essere diretti verso il sistema di elettrodi di messa a terra o la barra di messa a terra.
- I conduttori a terra devono essere fissati saldamente.
- I conduttori a terra intrecciati non devono essere utilizzati.
- Per l'unione di metalli dissimili devono essere utilizzate tecniche di montaggio approvate.

## Ubicazione di ODU e antenne

Le ODU e le antenne esterne non sono progettate per sopravvivere direttamente a un fulmine. Per questo motivo devono essere installate nella Zona B come definito nella *Guida dell'utente della serie PTP 670*. Il montaggio nella zona A può mettere a rischio l'attrezzatura, le strutture e la vita.

## Sopravvivenza alla velocità del vento

Accertarsi che l'ODU e la struttura su cui è installata possano resistere alle massime velocità del vento nel sito di destinazione previsto.

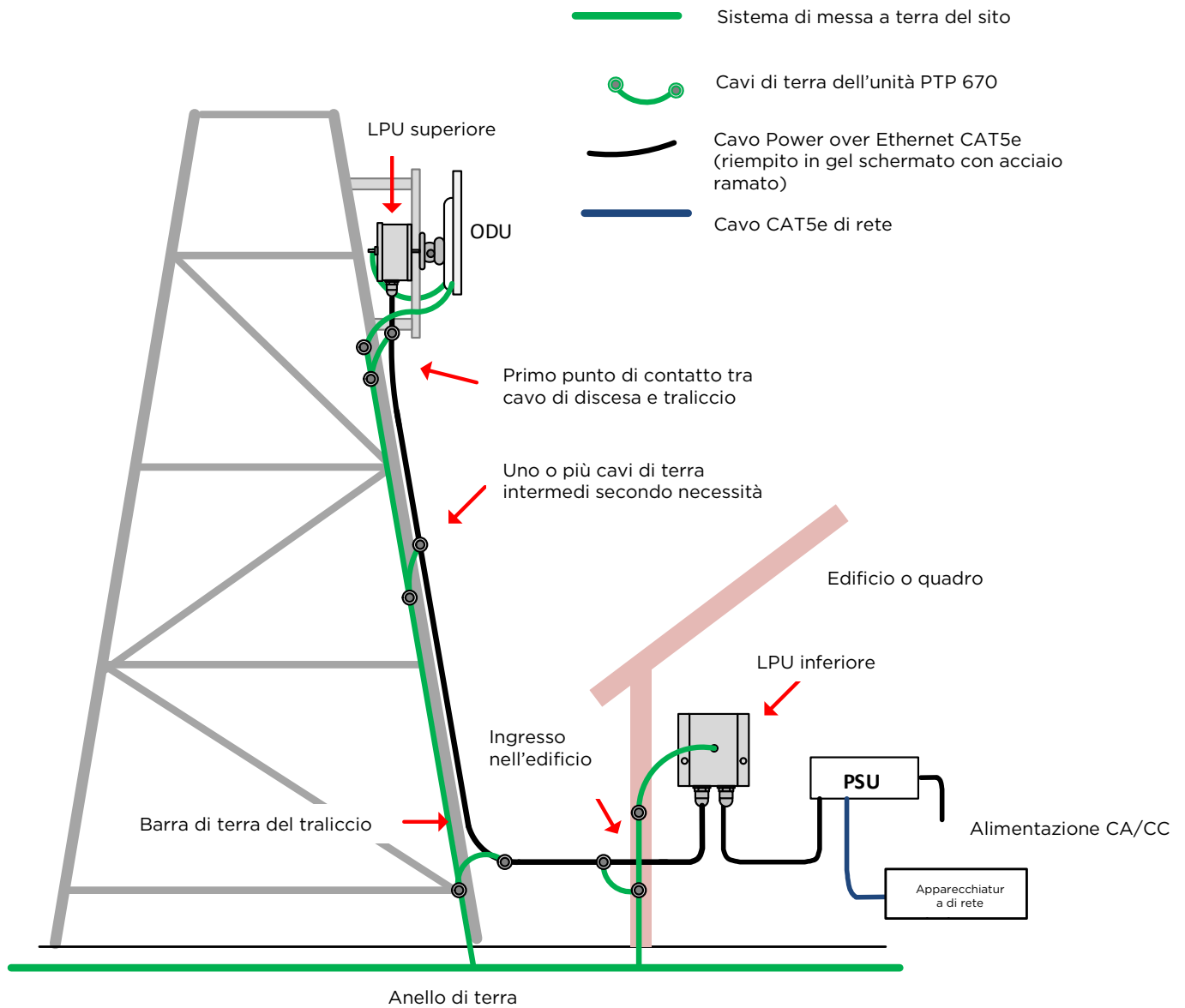
## Temperatura superficiale

L'involucro dell'ODU può essere caldo al tatto durante il funzionamento.

## Produttore delle apparecchiature

Cambium Networks Ltd, Unit B2 Linhay Business Park, Eastern Road, Ashburton, Devon, TQ13 7UP, United Kingdom.

## Installazioni tipiche



Un sito PTP 670 è solitamente costituito da un'alta struttura di supporto come un albero, un pilone o un edificio per le attrezzature esterne (ODU e antenna esterna opzionale), e un edificio o un quadro resistente all'umidità per l'attrezzatura interna (PSU), come mostrato qui in una tipica installazione con traliccio:



**Nota** Queste istruzioni presuppongono che le LPU vengano installate dal kit LPU/messa a terra (numero di parte Cambium C000065L007A). Se l'installazione non richiede LPU, adattare queste istruzioni come appropriato.

Se l'installazione richiede LPU, utilizzare solo i cinque pressacavi EMC con cappuccio nero forniti nel kit LPU/messa a terra. I pressacavi con tappo argentato forniti nei kit ODU devono essere utilizzati solo nelle installazioni PTP 670 che non necessitano di LPU.

## Varianti ODU e opzioni di montaggio con traversino

### Varianti ODU

L'unità PTP 670 è fornita in due varianti di piattaforma.

L'unità esterna PTP 670 integrata è collegata a un'antenna a pannello da 23 dBi ed è intesa per collegamenti difficili di medio-lungo raggio e requisiti di backhaul tradizionali dove sono richieste elevate capacità e un consistente budget per il ponte radio. L'antenna integrata offre una soluzione comoda e facilmente distribuita senza necessità di guadagno aggiuntivo di antenne esterne.

#### ODU integrata (da 4,8 a 5,9 GHz)



#### ODU integrata (da 4,9 a 6,05 GHz)



L'ODU PTP 670 connettorizzata è pensata per funzionare con antenne esterne montate separatamente. Le antenne esterne hanno generalmente guadagni più elevati rispetto alle antenne integrate, consentendo all'unità PTP 670 di far fronte a condizioni radio più difficili.



### Opzioni di montaggio con traversino

La serie PTP 670 supporta tre opzioni di montaggio con traversino. Selezionare la disposizione ottimale di montaggio con traversino in base al diametro del palo e alla variante dell'ODU:

Traversino	Diametro del palo	Varianti ODU	Numero di parte del traversino
Gruppo staffa inclinabile	da 40 mm a 77 mm	PTP 670 integrata PTP 670 connettorizzata	N000045L002A
Gruppo staffa inclinabile con cinghie di compressione	da 90 mm a 230 mm	PTP 670 integrata PTP 670 connettorizzata	N000045L002A + fascette di serraggio di terzi
Traversino (integrato)	da 40 mm a 82 mm	PTP 670 integrata	N000065L031A



Nota Il gruppo staffa inclinabile è incluso nei kit di PTP 670 integrate e connettorizzate. Se necessario, ordinare separatamente il traversino (integrato).



Nota Il gruppo staffa inclinabile consente la regolazione dell'angolo di elevazione dell'ODU integrata tra  $-17^\circ$  e  $+26^\circ$ . Il traversino (integrato) consente di impostare l'angolo di elevazione tra  $-26^\circ$  e  $+41^\circ$ .

## Installazione di ODU e LPU superiore

### Collegare i cavi di terra all'ODU

- 1 Fissare un cavo di messa a terra a ciascun punto di messa a terra dell'ODU usando i capocorda M6 (piccoli): uno è per la LPU superiore (capocorda M6 all'altra estremità) e l'altro è per il pilone o l'edificio (capocorda M10 all'altra estremità). Non importa distinguere quale cavo debba andare sul punto di messa a terra dell'ODU.
- 2 Serrare entrambi i bulloni di messa a terra dell'ODU con coppia di 5,0 Nm.



### Montare l'ODU sull'albero

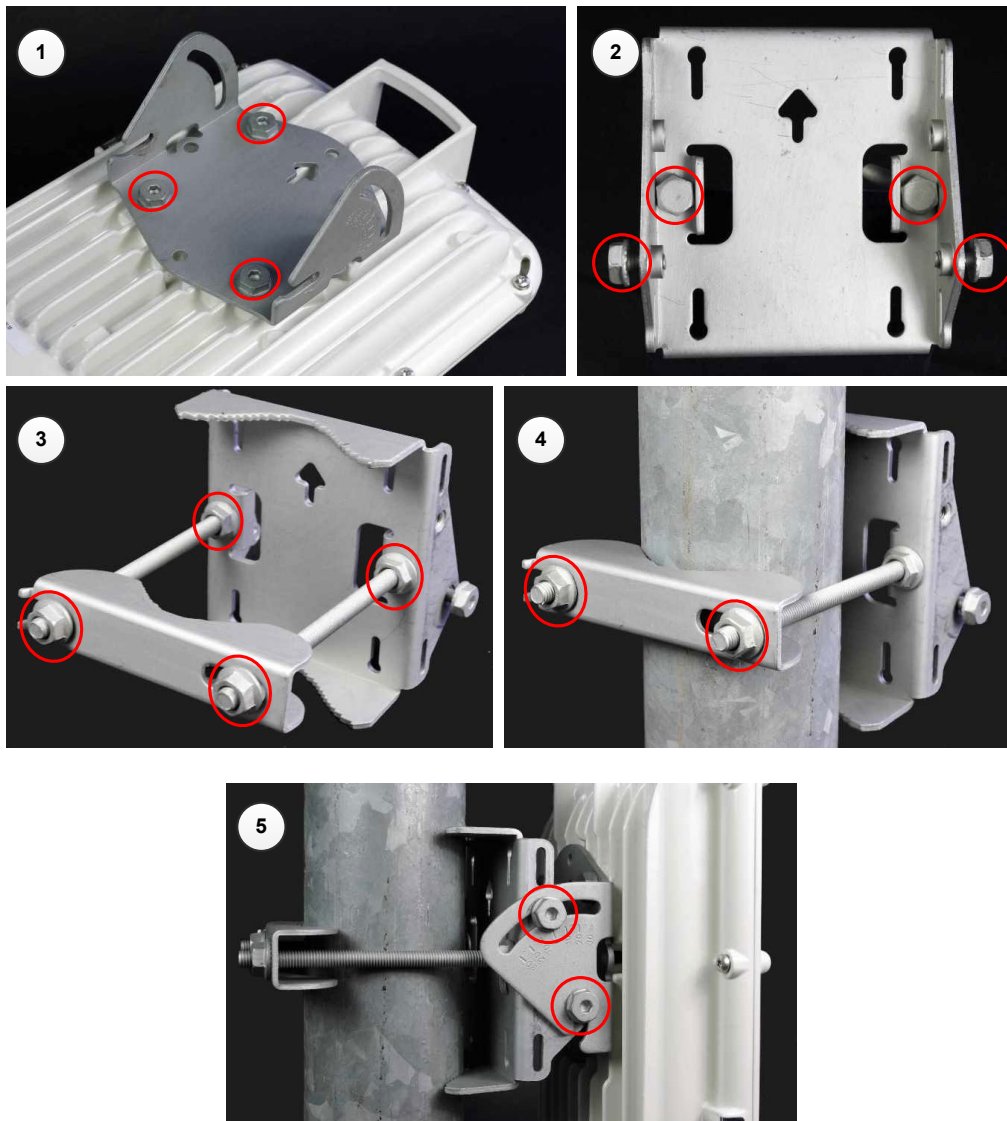
Selezionare l'opzione più appropriata per il montaggio con traversino, tra quelle elencate in Opzioni di montaggio con traversino a pagina 124. Fare riferimento alle singole procedure di seguito per ciascuna opzione:

- Gruppo staffa inclinabile a pagina 125
- Gruppo staffa inclinabile con fascette di serraggio a pagina 126
- Traversino (integrato) a pagina 127

Le procedure di montaggio possono essere adattate per collegare l'ODU a un palo orizzontale idoneo, ma la regolazione dell'angolo di azimut sarà necessariamente limitata rispetto a un'installazione su palo verticale.

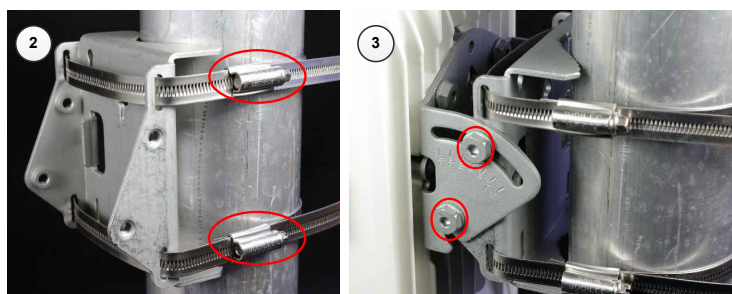
#### Gruppo staffa inclinabile

- 1 Fissare la piastra di montaggio della staffa inclinabile sul retro dell'ODU utilizzando quattro dei bulloni corti, assicurandosi che la freccia nella piastra punti verso la parte superiore dell'ODU. Serrare i quattro bulloni con una coppia di serraggio di 5,0 Nm utilizzando una chiave da 13 mm.
- 2 Inserire i due bulloni lunghi nel corpo del traversino in modo che le rispettive teste si innestino nelle fessure come mostrato. Inserire due dei bulloni corti nel lato del corpo del traversino, senza serrarli.
- 3 Inserire due dei dadi sui bulloni lunghi e serrarli contro il corpo del traversino usando una chiave da 13 mm. Montare la cinghia del traversino e infilare i dadi rimanenti sui bulloni lunghi.
- 4 Fissare il corpo del traversino assemblata al palo, regolare l'angolo di azimut e serrare i dadi con coppia di 10,0 Nm usando una chiave da 13 mm, assicurandosi che la freccia sul corpo sia rivolta verso l'alto.
- 5 Sollevare l'ODU nella posizione di montaggio. Fissare la piastra di montaggio sul corpo del traversino posizionando le fessure aperte sopra i bulloni corti. Inserire i rimanenti bulloni corti, attraverso le fessure curve più lunghe, nei fori filettati sul corpo del traversino. Regolare l'angolo di elevazione e serrare i bulloni con coppia di 8,0 Nm usando una chiave da 13 mm o una presa.



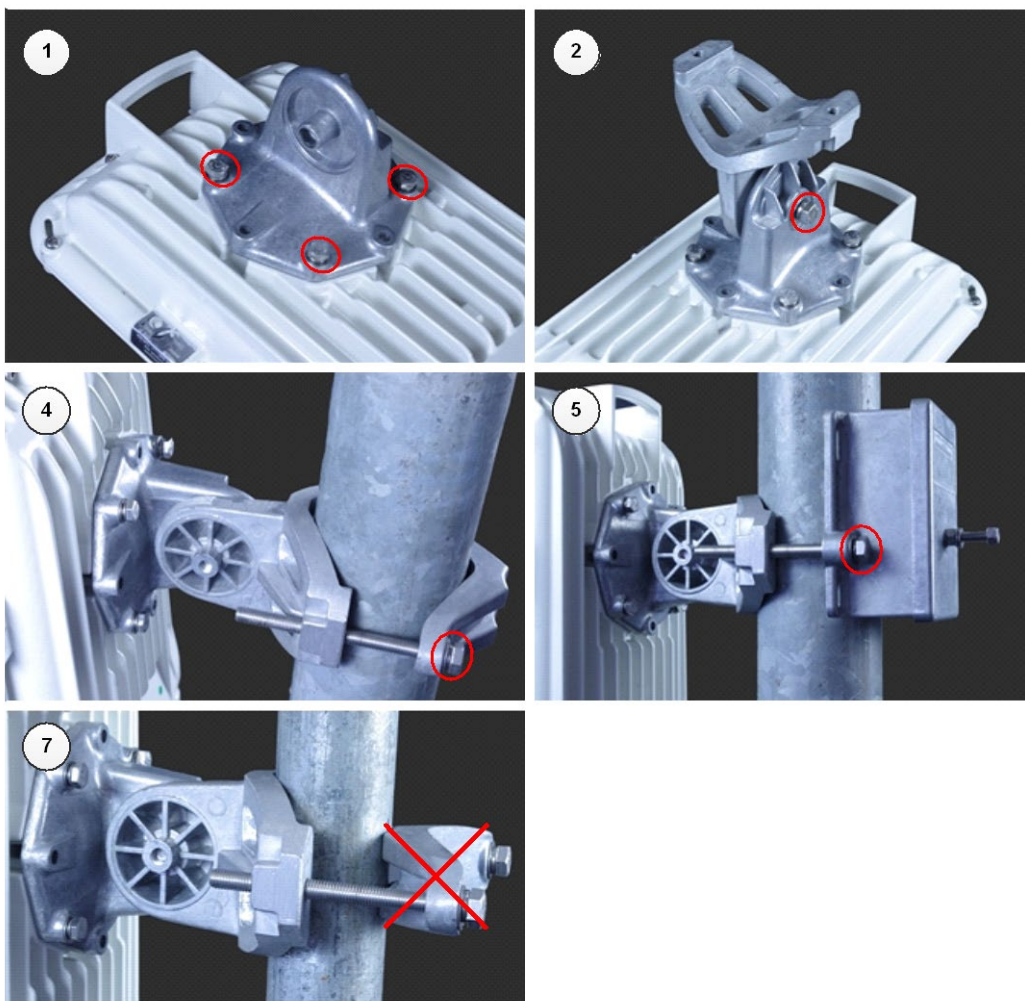
### Gruppo staffa inclinabile con fascette di serraggio

- 1 Seguire il passaggio 1 del montaggio del gruppo staffa inclinabile, qui sopra.
- 2 Inserire le fascette di serraggio (non fornite da Cambium) attraverso le fessure nel corpo del traversino. Fissare il corpo del traversino al palo utilizzando fascette di serraggio, assicurandosi che la freccia sul corpo sia rivolta verso l'alto. Regolare l'angolo di azimut e serrare le fascette di serraggio con coppia di 6,0 Nm.
- 3 Sollevare l'ODU nella posizione di montaggio. Fissare la piastra di montaggio al corpo del traversino con quattro dei bulloni corti, utilizzando una chiave da 13 mm. Regolare l'angolo di elevazione e serrare i bulloni con coppia di 8,0 Nm.



## Traversino (integrato)

- 1 Fissare la piastra di montaggio sul retro dell'ODU utilizzando i quattro bulloni, la rondella elastica e la rondella piana in dotazione. Assicurarsi che la rondella elastica si trovi tra la testa del bullone e la rondella piana. Serrare i bulloni con coppia di 5,0 Nm.
- 2 Fissare il corpo del traversino alla piastra di montaggio usando il bullone M8, la rondella elastica e la rondella piana. Assicurarsi che la rondella elastica si trovi tra la testa del bullone e la rondella piana
- 3 Sollevare l'ODU nella posizione di montaggio.
- 4 Fissare il corpo del traversino al palo utilizzando il morsetto, i bulloni M8, la rondella elastica e la rondella piana. Assicurarsi che la rondella elastica si trovi tra la testa del bullone e la rondella piana. Per il montaggio back-to-back, utilizzare la LPU al posto della fascetta.
- 5 Regolare l'elevazione e l'azimut per ottenere l'allineamento visivo. Serrare tutti e tre i bulloni del traversino con coppia di 8,0 Nm.



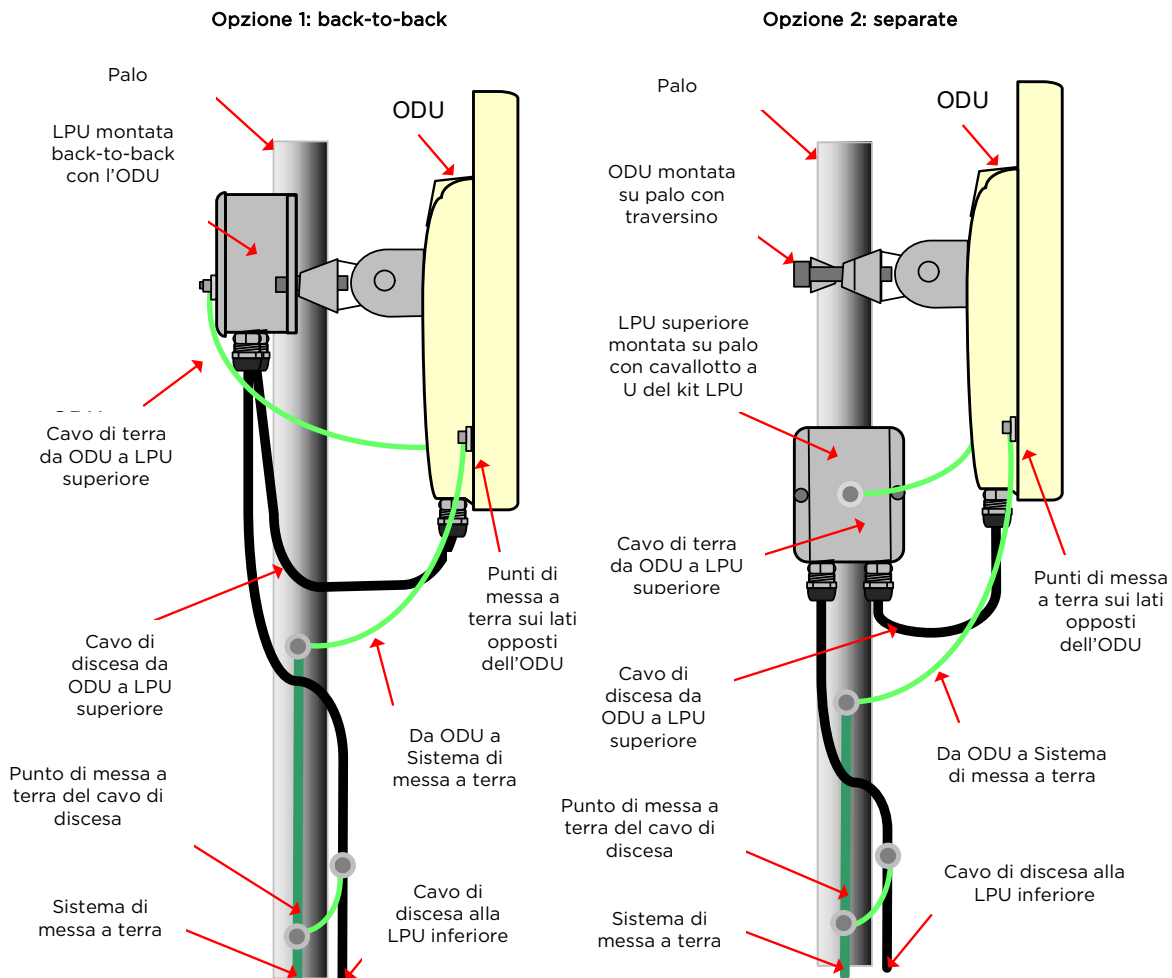
Attenzione Non invertire il morsetto come in figura 7 qui sopra, poiché questa disposizione può portare all'avaria del gruppo. Non serrare eccessivamente i bulloni poiché ciò potrebbe causare avarie.

## Montare la LPU superiore

Per il montaggio separato della LPU, utilizzare il cavallotto a U del kit LPU per montare la LPU superiore sul palo, sotto l'ODU. Serrare con coppia di 7,0 Nm:



## Interconnettere e mettere a terra l'ODU e la LPU superiore

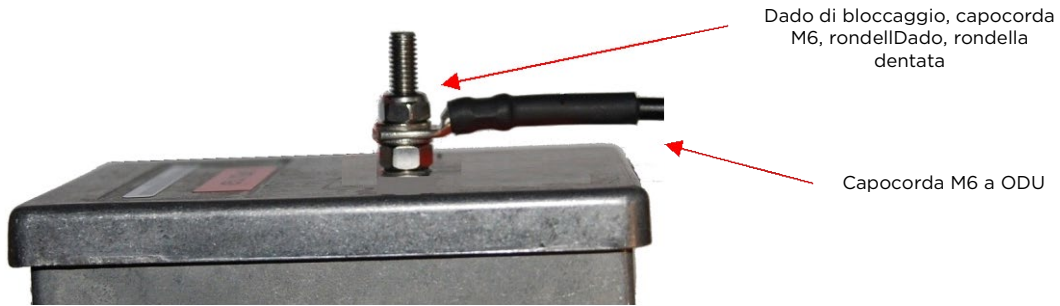






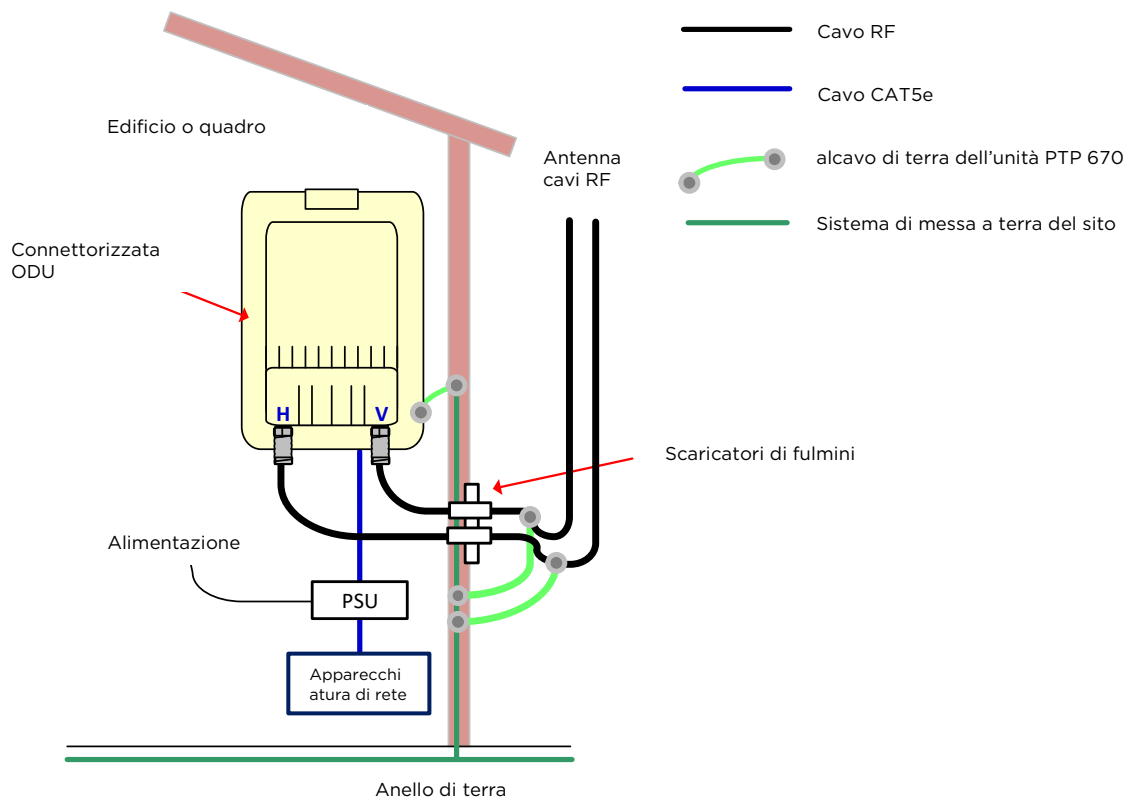
Attenzione Non collegare i cavi di messa a terra ai bulloni del traversino dell'ODU, poiché questa disposizione non fornisce una protezione completa.

- 1 Fissare il cavo di terra alla LPU superiore usando il capocorda M6 (piccolo). Serrare entrambi i dadi con coppia di 5 Nm:

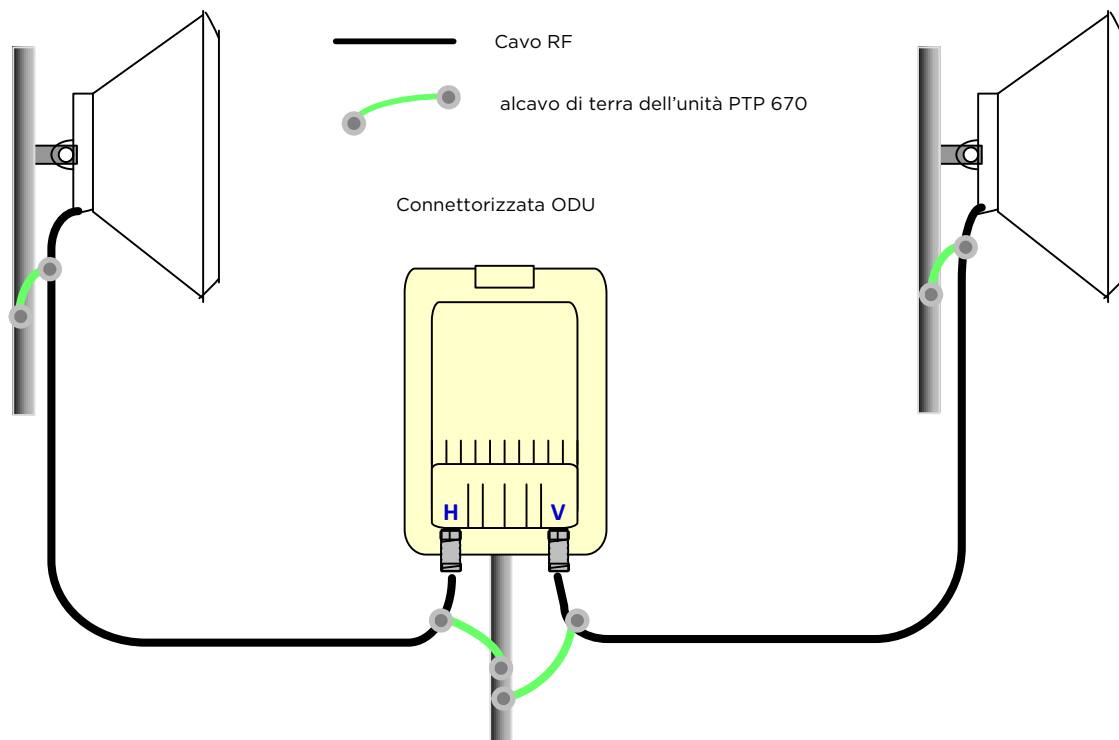


- 2 Selezionare un traliccio o un punto di messa a terra dell'edificio entro 0,3 metri dalla staffa dell'ODU. Rimuovere la vernice dalla superficie e applicare un composto antiossidante. Fissare il cavo di terra a questo punto usando il capocorda M10 (grande).
- 3 Se le normative locali impongono la messa a terra indipendente di tutti i dispositivi, aggiungere un terzo cavo di messa a terra per collegare la LPU superiore direttamente al sistema di messa a terra.

## Installare antenne esterne per un'ODU connettorizzata



- 1 Montare l'antenna o le antenne in base alle istruzioni del produttore. Quando si utilizzano antenne separate per ottenere la diversità spaziale, montarne una con polarizzazione orizzontale e l'altra con polarizzazione verticale.
- 2 Collegare le interfacce ODU V e H all'antenna (o alle antenne) con cavo RF di tipo CNT-400 (numeri di parte Cambium 30010194001 e 30010195001) e connettori di tipo N (numero di parte Cambium 09010091001). Serrare i connettori di tipo N con coppia di 1,7 Nm utilizzando una chiave da 24 mm.
- 3 Se l'ODU è montata in interni, installare i parafulmini nel punto di ingresso dell'edificio:
- 4 Formare passanti di sgocciolatura vicino alle estremità inferiori dei cavi dell'antenna. Questi assicurano che l'acqua non venga incanalata verso i connettori.
- 5 Se l'ODU è montato all'esterno, impermeabilizzare i connettori di tipo N (quando l'allineamento dell'antenna è completo) utilizzando nastro in PVC e nastro in gomma auto-amalgamante.
- 6 Impermeabilizzare i connettori dell'antenna nello stesso modo (a meno che il produttore dell'antenna non specifichi un metodo diverso).
- 7 Collegare i cavi dell'antenna alla struttura di supporto entro 0,3 metri dall'ODU e dalle antenne utilizzando il kit di messa a terra Cambium (numero di parte 01010419001):



- 8 Fissare i cavi dell'antenna alla struttura di supporto utilizzando metodi approvati nel sito. Assicurarsi di non applicare sforzi eccessivi sull'ODU o sui connettori dell'antenna. Assicurarsi che i cavi non sbattano al vento, poiché i cavi in tali condizioni sono soggetti a danni e inducono vibrazioni indesiderate nella struttura di supporto.

## Installazione dell'interfaccia Ethernet Cat5e in rame

Per installare l'interfaccia Ethernet Cat5e in rame, utilizzare le seguenti procedure:

- Installare l'ODU sul cavo di discesa della LPU superiore a pagina [131](#)
- Installare il cavo di discesa principale a pagina [133](#)
- Installare la LPU inferiore al cavo di discesa PSU a pagina [235](#)
- Verificare la resistenza nel cavo di discesa a pagina [236](#)



Attenzione Per evitare danni all'installazione, non collegare o scollegare il cavo di discesa quando l'alimentazione viene applicata alla PSU o alle apparecchiature di terminazione di rete.



Attenzione Non collegare i cavi di discesa SFP o Aux alla PSU, in quanto ciò potrebbe danneggiare l'apparecchiatura.



Attenzione Per le interfacce Ethernet Cat5e in rame esterne, utilizzare sempre un cavo Cat5e riempito di gel e schermato con acciaio ramato. Tipi alternativi di cavo Cat5e non sono supportati da Cambium Networks. Cambium Networks fornisce questo cavo (numeri di parte Cambium WB3175 e WB3176), connettori RJ45 (numero di parte Cambium WB3177) e una crimpatrice (numero di parte Cambium WB3211). Il kit LPU/messa a terra include una porzione di 0,6 metri di questo cavo.

## Installare l'ODU sul cavo di discesa della LPU superiore

### Montare i pressacavi sull'ODU al cavo di discesa della LPU superiore

Installare i pressacavi EMC per lo scarico della trazione (con tappi neri) su entrambe le estremità della porzione di cavo di 0,6 metri. Queste parti sono fornite nel kit LPU/messa a terra.

- 1 Smontare il pressacavo e infilare ogni parte sul cavo (il tappo di gomma è diviso). Montare la clip a molla e il tappo di gomma:



- 2 Montare le parti nel corpo e avvitare leggermente il dado usando una chiave da 24 mm (non serrare):



**Collegare il cavo di discesa all'ODU (porta PSU) e alla LPU**

- 1 (a) Inserire il connettore RJ45 nella presa dell'unità, assicurandosi che scatti in posizione.  
 (b) Montare il corpo del pressacavo sulla porta RJ45 e serrarlo a coppia di 5,5 Nm:

(a)



(b)



- 2 (a) Montare il dado del pressacavo e serrare fino a quando la guarnizione in gomma si chiude sul cavo.  
 (b) Non serrare eccessivamente il dado, poiché esiste il rischio di danneggiare i suoi componenti interni:

(a)



(b)

Corretto



Scorretto



## Scollegare il cavo di discesa da LPU o ODU

Utilizzare questa procedura se è necessario rimuovere un pressacavo EMC e un connettore RJ45 dall'ODU (come illustrato) o dalla LPU.

- 1 (a) Rimuovere il dado del pressacavo. Agitare il cavo di discesa per rilasciare la tensione del corpo del pressacavo. Quando la tensione nel corpo del pressacavo viene rilasciata, si aprirà uno spazio nel punto indicato. Svitare il corpo del pressacavo.
- (b) Utilizzare un piccolo cacciavite per premere la linguetta di blocco, quindi rimuovere il connettore RJ45.

(a)



(b)



## Installare il cavo di discesa principale



Avvertenza La schermatura metallica del cavo di discesa è tagliente e può causare lesioni personali.

- Indossare SEMPRE guanti resistenti al taglio (controllare l'etichetta per assicurarsi che siano resistenti al taglio).
- Indossare SEMPRE occhiali protettivi.
- Utilizzare SEMPRE uno strumento a lama rotante per spellare il cavo (NON usare un coltello a lama).



Avvertenza La mancata osservanza delle seguenti precauzioni può provocare lesioni o morte:

- Utilizzare l'impugnatura di sollevamento appropriata per il cavo da installare. L'utilizzo di un'impugnatura di sollevamento errata comporterà slittamenti o forza di presa insufficiente.
- Non riutilizzare le impugnature di sollevamento. Le impugnature usate potrebbero aver perso elasticità o essersi allungate o indebolite. Il riutilizzo può causare slittamento, rottura o caduta del cavo.
- Il requisito minimo è una presa di sollevamento per ogni 60 m di cavo.

## Tagliare a misura e montare le impugnature di sollevamento

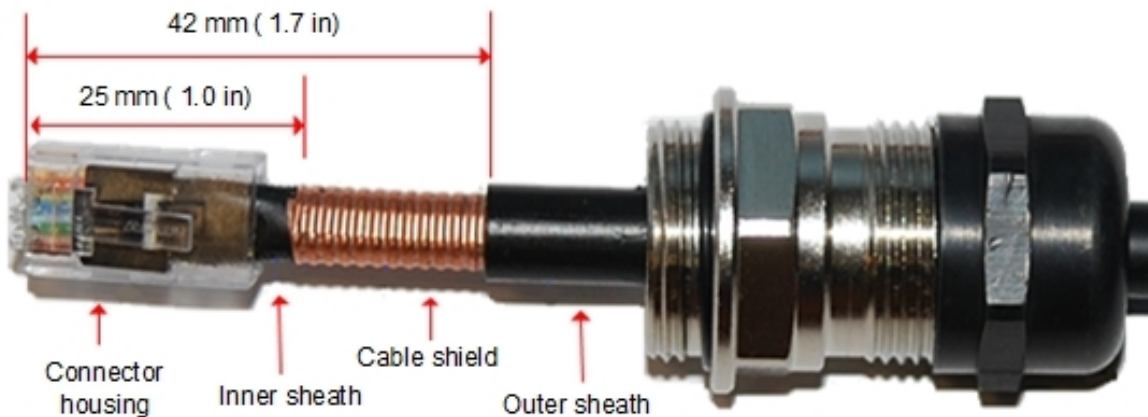
- 1 Tagliare il cavo di discesa principale pari alla lunghezza tra la LPU superiore la LPU inferiore.
- 2 Fare scorrere una o più impugnature di sollevamento sull'estremità superiore del cavo di discesa.
- 3 Fissare l'impugnatura di sollevamento al cavo usando uno strumento apposito, come raccomandato dal produttore.

## Terminare con connettori RJ45 e pressacavi



Attenzione Verificare che la crimpatrice corrisponda al connettore RJ45, altrimenti il cavo o il connettore potrebbero subire danni.

- 1 Infilare il pressacavo (con cappuccio nero) sul cavo di discesa principale.
- 2 Spellare la guaina esterna del cavo e montare la barra di carico del connettore RJ45.
- 3 Montare l'alloggiamento del connettore RJ45 come mostrato. Per garantire un efficace scarico della trazione, posizionare la guaina interna del cavo sotto la linguetta dell'alloggiamento del connettore. Non serrare il dado del pressacavo:



## Solleverare e fissare il cavo di discesa principale



Avvertenza La mancata osservanza delle seguenti precauzioni può provocare lesioni o morte:

- Utilizzare l'impugnatura di sollevamento per sollevare solo un cavo. Il tentativo di sollevare più di un cavo può causare la rottura della presa di sollevamento o la caduta dei cavi.
- Non utilizzare l'impugnatura di sollevamento per abbassare il cavo a meno che la graffa non sia saldamente in posizione.
- Mantenere la tensione sull'impugnatura durante il sollevamento. La perdita di tensione può causare movimenti pericolosi del cavo e provocare lesioni o morte.
- Non rilasciare la tensione sull'impugnatura fino a quando la maniglia dell'impugnatura non è stata fissata alla struttura di supporto.
- Non esercitare alcuno sforzo sui connettori RJ45.



Attenzione Non posare il cavo di discesa accanto a un sistema di protezione da fulmini.

- 1 Sollevare l'estremità superiore del cavo di discesa principale fino alla LPU superiore, seguendo le istruzioni del produttore del paranco. Quando il cavo è in posizione, assicurare la maniglia alla struttura di supporto e rimuovere la corda di sollevamento.
- 2 Collegare il cavo di discesa principale alla LPU superiore seguendo la procedura Collegare il cavo di discesa all'ODU (porta PSU) e alla LPU a pagina 18.

- 3 Posare il cavo di discesa principale fino all'ubicazione della LPU inferiore.
- 4 Fissare il cavo di discesa principale alla struttura di supporto utilizzando metodi approvati nel sito.

### Mettere a terra il cavo di discesa principale

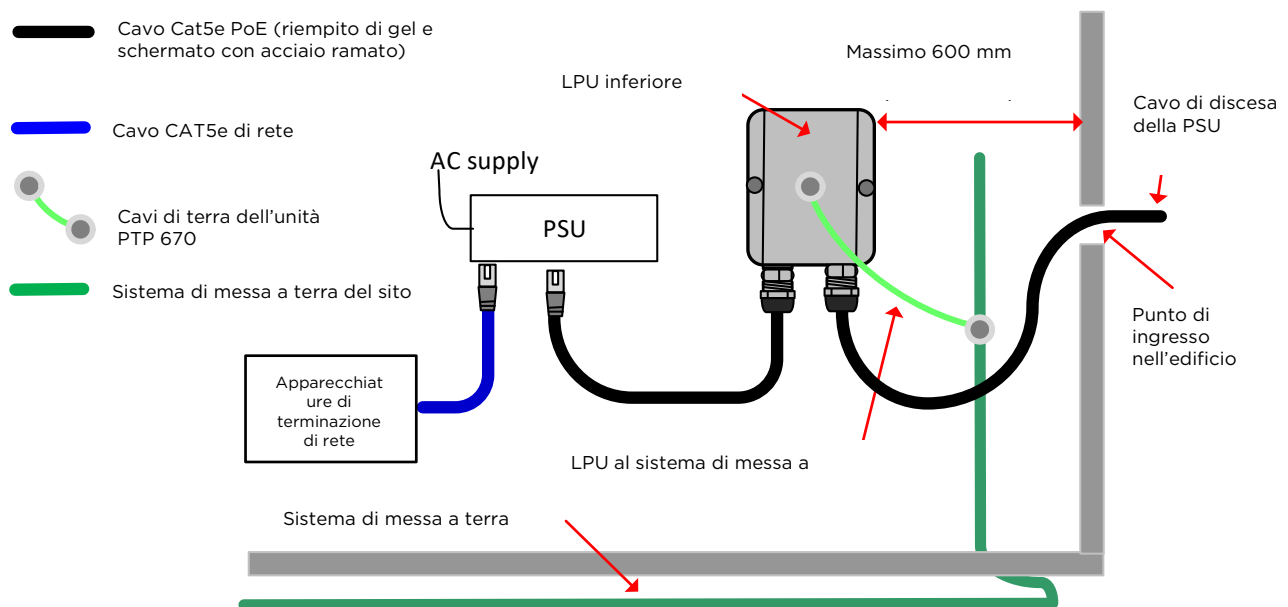
In tutti i punti di messa a terra necessari, collegare lo schermo del cavo di discesa principale al metallo della struttura di supporto utilizzando il kit di messa a terra del cavo (numero di parte Cambium 01010419001).

## Installare il cavo di discesa dalla LPU inferiore alla PSU

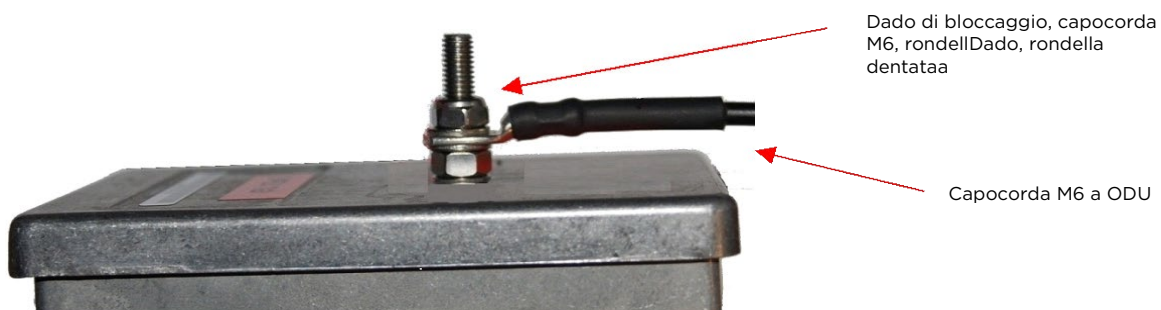
### Installare la LPU inferiore

Installare la LPU inferiore, collegarla a terra e collegarla al cavo di discesa principale.

- 1 Selezionare un punto di montaggio per la LPU inferiore entro 0,6 metri dal punto di ingresso dell'edificio. Montare la LPU verticalmente con i pressacavi rivolti verso il basso.



- 2 Collegare il cavo di discesa principale alla LPU inferiore seguendo la procedura Collegare il cavo di discesa all'ODU (porta PSU) e alla LPU a pagina 18.
- 3 Fissare un cavo di terra alla LPU inferiore usando il capocorda M6 (piccolo). Serrare entrambi i dadi con coppia di 5 Nm:



- 4 Selezionare un punto di messa a terra dell'edificio vicino alla staffa della LPU. Rimuovere la vernice dalla superficie e applicare un composto antiossidante. Fissare il cavo di terra dell'unità LPU utilizzando il capocorda M10 (grande).

## Installare il cavo di discesa dalla LPU alla PSU

Utilizzare questa procedura per terminare il cavo di discesa della LPU inferiore alla PSU con connettori RJ45 su entrambe le estremità e con un pressacavo all'estremità della LPU.



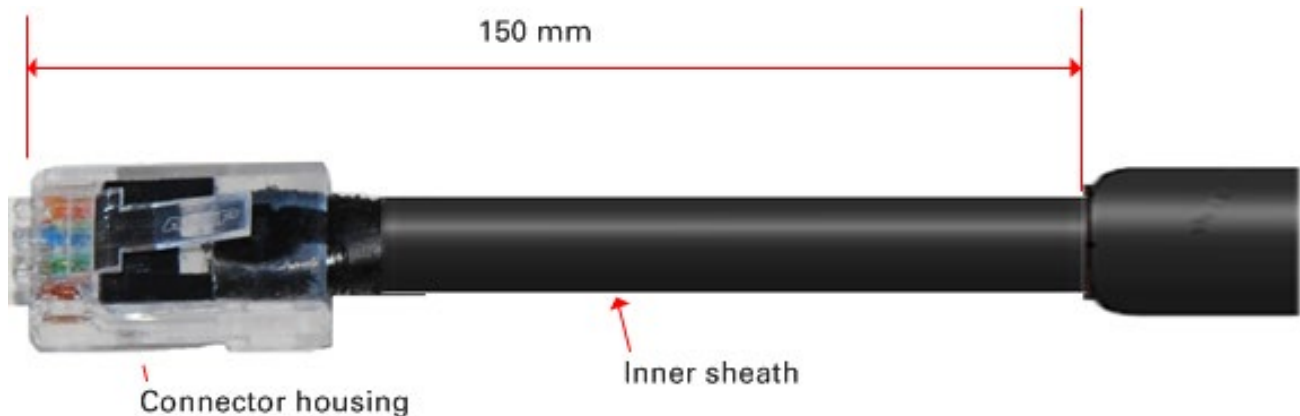
Avvertenza La schermatura metallica del cavo di discesa è tagliente e può causare lesioni personali.

- Indossare SEMPRE guanti resistenti al taglio (controllare l'etichetta per assicurarsi che siano resistenti al taglio).
- Indossare SEMPRE occhiali protettivi.
- Utilizzare SEMPRE uno strumento a lama rotante per spellare il cavo, NON un coltello a lama.



Attenzione Verificare che la crimpatrice corrisponda al connettore RJ45, altrimenti il cavo o il connettore potrebbero subire danni.

- 1 Tagliare il cavo di discesa alla lunghezza necessaria tra LPU inferiore e PSU.
- 2 Solo all'estremità della LPU:
  - Montare un pressacavo e un connettore RJ45 seguendo la procedura nella sezione Terminare con connettori RJ45 e pressacavi a pagina 19.
  - Collegare questo cavo e il pressacavo alla LPU inferiore seguendo la procedura Collegare il cavo di discesa all'ODU (porta PSU) e alla LPU a pagina 18.
- 3 Non montare un pressacavo. Spellare la guaina esterna del cavo e montare la barra di carico del connettore RJ45. Montare l'alloggiamento del connettore RJ45. Per garantire un efficace scarico della trazione, posizionare la guaina interna del cavo sotto la linguetta dell'alloggiamento del connettore:



## Verificare la resistenza nel cavo di discesa



Collegare l'estremità inferiore del cavo di discesa Cat5e in rame a un tester idoneo e verificare che le resistenze tra i pin rientrino nei limiti corretti, come specificato nella tabella seguente. Se uno dei test non riesce, esaminare il cavo di discesa in cerca di guasti al cablaggio.

Misurare la resistenza tra...	Immettere la resistenza misurata	Per superare il test, la resistenza deve essere...	Riuscito/Non riuscito	Note e verifiche aggiuntive
Pin 1 e 2	Ohm	<20 Ohm (60 Ohm) (*1)	Riuscito Non riuscito	
Pin 3 e 6	Ohm	<20 Ohm (60 Ohm) (*1)	Riuscito Non riuscito	Le resistenze devono essere entro il 10% l'una dall'altra (*2). Riuscito/Non riuscito:
Pin 4 e 5	Ohm	<20 Ohm (60 Ohm) (*1)	Riuscito Non riuscito	Riuscito Non riuscito
Pin 7 e 8	Ohm	<20 Ohm (60 Ohm) (*1)	Riuscito Non riuscito	
Pin 1 e schermo (terra ODU)	K Ohm	>100K Ohm	Riuscito Non riuscito	Questi limiti si applicano indipendentemente dalla lunghezza del cavo.
Pin 8 e schermo (terra ODU)	K Ohm	>100K Ohm	Riuscito Non riuscito	

(\*1) Una resistenza di 20 Ohm è il massimo consentito quando il cavo trasporta Ethernet.

Una resistenza di 60 Ohm è il massimo consentito quando il cavo trasporta solo alimentazione all'ODU (quando Ethernet viene trasportata da una delle altre interfacce ODU).

(\*2) Assicurarsi che queste resistenze siano entro il 10% l'una dall'altra moltiplicando la resistenza più bassa di 1,1. Se una qualsiasi delle altre resistenze è maggiore di questo valore, il test non riesce.

## Installazione della PSU

Installare uno dei seguenti tipi di PSU (come specificato nel piano di installazione):

- Iniettore di alimentazione CA (numero di parte Cambium N000065L001C).
- Iniettore di alimentazione CA (numero di parte Cambium C000065L002C).



Attenzione Poiché l'alimentatore non è impermeabile, collocarlo lontano da fonti di umidità, nell'edificio dell'apparecchiatura o in un quadro a prova di umidità. Non collocare l'alimentatore in una posizione in cui potrebbe oltrepassare la sua temperatura nominale.



Attenzione Non collegare alcun dispositivo diverso da ODU PTP 650, PTP 670 o PTP 700 nella porta ODU della PSU. Altri dispositivi possono essere danneggiati a causa delle tecniche non standard utilizzate per iniettare l'alimentazione CC nella connessione Ethernet tra la PSU e l'ODU.

Non collegare alcun dispositivo diverso da un'unità PSU Cambium PTP 670 nella porta PSU della ODU. Il collegamento di qualsiasi altro dispositivo alla porta PSU dell'ODU può danneggiare l'ODU e il dispositivo.

## Installazione dell'iniettore di alimentazione CA

Seguire questa procedura per installare l'iniettore di alimentazione CA (numero di parte Cambium N000065L001C):

- 1 Creare un passante di sgocciolatura all'estremità PSU del cavo di discesa dalla LPU alla PSU. Il passante di sgocciolatura assicura che eventuale umidità lungo il cavo non possa entrare nella PSU.
- 2
  - (a) Posizionare l'iniettore di alimentazione CA su una superficie orizzontale. Collegare il cavo di discesa da LPU a PSU nella porta PSU della porta ODU.
  - (b) Quando il sistema è pronto per la connessione di rete, collegare il cavo di rete Cat5e alla porta LAN della PSU:



## Installazione dell'iniettore di alimentazione CA+CC

Seguire questa procedura per installare l'iniettore di alimentazione CA+CC (numero di parte Cambium C000065L002C):

- 1 Montare l'iniettore potenziato CA+CC avvitandolo su una superficie verticale o orizzontale usando i quattro fori (due fori cerchiati):



- 2 Creare un passante di sgocciolatura all'estremità PSU del cavo di discesa dalla LPU alla PSU. Il passante di sgocciolatura garantisce che l'umidità in corrispondenza del cavo nel quadro o nella cabina non possa entrare nella PSU.
- 3
  - (a) Allentare la vite di fissaggio, ruotare il coperchio e inserire il cavo di discesa nella porta.
  - (b) Chiudere il coperchio e fissarlo con la vite.
  - (c) Quando il sistema è pronto per la connessione di rete, collegare il cavo di rete Cat5e alla porta LAN della PSU:

(a)



(b) and (c)



## Configurazione dell'ODU per il funzionamento nell'UE

### Generare un codice di licenza specifico per Paese

Nella serie PTP 670, un codice di licenza viene utilizzato per attivare nuove funzionalità e per modificare le impostazioni normative di una ODU. Il nuovo codice di licenza sbloccherà ulteriori bande normative consentite nel Paese di utilizzo. Utilizzare questa procedura per generare il codice di licenza.

#### Procedura:

- 1 Visitare il centro assistenza di Cambium all'indirizzo:  
<https://support.cambiumnetworks.com/licensekeys/ptp50670>
- 2 Immettere l'indirizzo MAC dell'ODU e selezionare il Paese del ponte radio PTP.
- 3 Accettare le condizioni e fare clic su Submit
- 4 Individuare l'ODU dall'indirizzo MAC e copiare il codice di licenza generato dalla pagina License Keys
- 5 Salvare il codice di licenza (ad esempio incollandolo in un editor di testo e salvando il file) per uso futuro

### Configurare il PC di gestione

Utilizzare questa procedura per configurare il PC di gestione locale per comunicare con l'unità PTP 670.

#### Procedura:

- 1 Selezionare Proprietà per la porta Ethernet. In Windows 10 accedere a Pannello di controllo > Rete e Internet > Centro connessioni di rete e condivisione > Modifica impostazioni scheda. Fare clic con il pulsante destro del mouse sull'icona per la scheda Ethernet e selezionare Proprietà.
- 2 Selezionare Internet Protocol Version 4 (TCP/IPv4):
- 3 Fare clic su Proprietà.
- 4 Immettere un indirizzo IP valido per la rete 169.254.X.X, evitando 169.254.0.0 e 169.254.1.1. Un esempio di indirizzo valido è 169.254.1.3.
- 5 Immettere la subnet mask 255.255.0.0. Lasciare vuoto il campo relativo al gateway predefinito.

### Collegare l'ODU al PC e accenderla

Utilizzare questa procedura per connettere un PC di gestione e attivare l'unità PTP 670.

#### Procedura:

- 1 Verificare che l'ODU e la PSU siano collegate correttamente.
- 2 Collegare la porta Ethernet del PC alla porta LAN dell'unità di alimentazione tramite un cavo Ethernet standard (non incrociato).
- 3 Alimentare la PSU tramite corrente o batteria. La spia LED verde di alimentazione dovrebbe accendersi fissa.
- 4 Dopo circa 45 secondi, verificare che il LED Ethernet arancione si avvii con 10 lampeggiamenti lenti.
- 5 Verificare che il LED Ethernet sia acceso fisso.

### Accesso all'interfaccia Web

Utilizzare questa procedura per accedere all'interfaccia Web come amministratore di sistema.

**Procedura:**

- 1 Avviare il browser Web dal PC di gestione.
- 2 Digitare l'indirizzo IP dell'unità nella barra degli indirizzi. L'indirizzo IP predefinito è 169.254.1.1. Premere INVIO. Verrà visualizzato il menu dell'interfaccia Web e la pagina di riepilogo di sistema.
- 3 Nel menu, fare clic su Installation. La pagina di accesso viene visualizzata solo con la richiesta di password (impostazione predefinita) o con la richiesta di nome utente e password (se sono stati abilitati gli account utente basati su identità). La password predefinita è vuota.
- 4 Immettere il nome utente (se richiesto) e la password (il valore predefinito è vuoto) e fare clic su Login.

## Aggiornare il codice di licenza e configurare l'ODU

Utilizzare questa procedura per installare un nuovo codice di licenza e configurare il guadagno dell'antenna e la perdita del cavo in una ODU connettorizzata.

**Procedura:**

- 1 Nel menu, fare clic su Installation. Fare clic su Continue to Installation Wizard.
- 2 Nella pagina del codice di licenza software, incollare il codice di licenza nell'attributo License Key. Fare clic su Submit o su Format.
- 3 In caso di ODU integrata, fare clic su Next nelle pagine successive finché non viene visualizzata la pagina di configurazione wireless. Impostare gli attributi Regulatory Band e Maximum Transmitter Power per il funzionamento nella banda selezionata. Notare che in alcuni stati membri dell'UE, la banda a 5,4 GHz potrebbe essere l'unica banda disponibile.

Fare clic su Next nelle pagine successive finché non viene visualizzata la pagina di conferma della configurazione di installazione. Fare clic su Confirm Configuration and Reboot.

- 4 In caso di ODU connettorizzata, fare clic su Next nelle pagine successive finché non viene visualizzata la pagina di configurazione wireless. Impostare gli attributi Regulatory Band, Antenna Gain, Cable Loss e Maximum Transmitter Power in modo che corrispondano all'antenna e ai cavi utilizzati nell'installazione. Notare che in alcuni stati membri dell'UE, la banda a 5,4 GHz potrebbe essere l'unica banda disponibile.

Fare clic su Next nelle pagine successive finché non viene visualizzata la pagina di conferma della configurazione di installazione. Fare clic su Confirm Configuration and Reboot.

# Cambium Networks

Cambium Networks fornisce soluzioni di banda larga e microonde wireless fisse di livello professionale per i clienti di tutto il mondo. Le nostre soluzioni sono implementate in migliaia di reti in oltre 153 paesi, con le nostre tecnologie innovative che offrono connettività affidabile, sicura ed economica, facile da implementare e comprovata per offrire prestazioni eccezionali.

Le nostre premiate soluzioni radio punto-punto (PTP) operano in bande di frequenza con licenza, senza licenza e definite, comprese soluzioni FIPS 140-2 specifiche per il mercato federale statunitense. Irrobustite per una disponibilità del 99,999%, le nostre soluzioni PTP hanno una reputazione impeccabile per la fornitura di connettività backhaul ad alta velocità affidabile anche in ambienti RF non-line-of-sight più impegnativi.

Le nostre flessibili soluzioni punto-multipunto (PMP) operano in bande di frequenza con licenza, senza licenza e federali, fornendo reti di accesso affidabili, sicure ed economiche. Con oltre tre milioni di moduli distribuiti in reti di tutto il mondo, le nostre soluzioni PMP dimostrano il loro valore giorno dopo giorno nell'accesso residenziale, nella sostituzione di linee affittate, nella videosorveglianza e nelle applicazioni di infrastruttura di rete intelligente.

Le soluzioni di Cambium Networks sono leader affermate e rispettate nel settore della banda larga wireless. Progettiamo, implementiamo e forniamo soluzioni innovative di connettività dati, voce e video che consentono e garantiscono le comunicazioni, rafforzando la crescita personale, commerciale e sociale praticamente ovunque nel mondo.

Guide utente: <http://www.cambiumnetworks.com/guides>

Formazione tecnica: [http://www.cambiumnetworks.com/technical\\_training](http://www.cambiumnetworks.com/technical_training)

Sito Web di supporto: <https://support.cambiumnetworks.com>

Sito Web principale: <http://www.cambiumnetworks.com>

Informazioni sulla vendita: [solutions@cambiumnetworks.com](mailto:solutions@cambiumnetworks.com)

Richieste di supporto: <https://support.cambiumnetworks.com>

Numeri telefonici: <http://www.cambiumnetworks.com/contact-us/>

Indirizzo: Cambium Networks Limited,  
Linhay Business Park,  
Eastern Road,  
Ashburton,  
Devon, UK,  
TQ13 7UP

phn-4835 000v002

Dicembre 2018

**Dokładność**

Mimo faktu, że dołożono wszelkich starań w celu zapewnienia dokładności tego dokumentu, Cambium Networks nie ponosi żadnej odpowiedzialności za jakiegokolwiek nieścisłości lub pominięcia w treści tego dokumentu lub wykorzystanie informacji zawartych w tym dokumencie. Cambium Networks zastrzega sobie prawo do wprowadzania zmian do wszelkich produktów opisanych w niniejszym dokumencie w celu poprawy ich niezawodności, funkcjonalności lub wyglądu, oraz zastrzega sobie prawo do wprowadzania zmian w układzie i treści tego dokumentu od czasu do czasu, bez obowiązku powiadamiania jakichkolwiek osób o tych zmianach czy modyfikacjach. Cambium Networks nie ponosi żadnej odpowiedzialności wynikającej z zastosowania lub użycia jakiegokolwiek produktu, oprogramowania lub obwodu opisanego w niniejszym dokumencie, a także nie przenosi licencji uzyskanych na podstawie swoich praw patentowych lub praw innych osób. Ta publikacja może zawierać odniesienia do lub informacje o produktach (urządzeniach i programach), oprogramowaniu albo usługach Cambium Networks, które nie są sprzedawane w kraju użytkownika. Takie odniesienia lub informacje nie mogą być interpretowane jako sugestia, że Cambium Networks zamierza wprowadzić takie produkty, programy albo usługi Cambium Networks w kraju użytkownika.

**Prawa autorskie**

Niniejszy dokument, produkty Cambium Networks oraz oprogramowanie innych firm opisane w tym dokumencie mogą zawierać lub przedstawiać programy komputerowe objęte prawami autorskimi Cambium Networks albo inne programy dostarczane przez podmioty trzecie, które są przechowywane w pamięci półprzewodnikowej lub na innych nośnikach. Na mocy praw obowiązujących w Stanach Zjednoczonych i innych krajach Cambium Networks, licencjodawcy Cambium Networks oraz inne podmioty trzecie dostarczające oprogramowanie zachowują pewne prawa do materiałów chronionych prawem autorskim, w tym wyłączone prawo do kopiowania, reprodukcji w dowolnej formie, dystrybucji i tworzenia dzieł pochodnych materiałów chronionych prawem autorskim. Tym samym żaden materiał chroniony prawami autorskimi Cambium Networks, licencjodawców Cambium Networks lub podmiotów trzecich dostarczających oprogramowanie zawarte w produktach Cambium Networks, a opisany w tym dokumencie, nie może być kopiowany, powielany, odtwarzany, dystrybuowany, łączony lub modyfikowany w żaden sposób bez wyraźnej pisemnej zgody Cambium Networks. Ponadto zakup produktów Cambium Networks nie będzie uważany za udzielenie bezpośredniej lub dorozumianej licencji, udzielenie licencji zgodnie z zasadą *venire contra factum proprium* albo udzielenie licencji w jakichkolwiek innych sposób względem praw autorskich, patentów lub wniosków patentowych Cambium Networks lub innego oprogramowania dostarczonego przez podmiot trzeci, z wyjątkiem zwykłej niewyłączonej, nieodpłatnej licencji na korzystanie, która wynika z działania prawa dotyczącego sprzedaży produktów.

**Ograniczenia**

Oprogramowanie i dokumentacja są materiałami objętymi prawami autorskimi. Tworzenie nieautoryzowanych kopii tych materiałów jest niezgodne z prawem. Żadna część oprogramowania lub dokumentacji nie może być reprodukowana, przesyłana, transkrybowana, przechowywana w systemie wyszukiwania ani tłumaczona na jakikolwiek język lub język komputerowy, w jakiegokolwiek formie lub w jakikolwiek sposób, bez uprzedniej pisemnej zgody Cambium Networks.

**Umowy licencyjne**

Oprogramowanie opisane w niniejszym dokumencie jest własnością Cambium Networks i licencjodawców tej firmy. Jest ono dostarczane wyłącznie na podstawie wyraźnej umowy licencyjnej i może być używane wyłącznie zgodnie z warunkami takiej umowy.

**Materiały wysokiego ryzyka**

Cambium i dostawcy firmy Cambium wyraźnie zrzekają się jakiegokolwiek wyraźnej lub dorozumianej gwarancji przydatności swoich produktów do jakichkolwiek działań lub zastosowań wysokiego ryzyka, w tym m.in. do obsługi obiektów jądrowych, nawigacji lotniczej lub systemów łączności lotniczej, kontroli ruchu lotniczego, podtrzymywania życia lub systemów broni („Wykorzystanie wysokiego ryzyka”). Jakiegokolwiek wykorzystanie wysokiego ryzyka jest uznawane za nieautoryzowane, a użytkownik używający produktów robi to na własne ryzyko i ponosi odpowiedzialność za wszelkie straty, szkody lub roszczenia wynikające z wykorzystania wysokiego ryzyka.

## Informacje

### Informacje o tym podręczniku wprowadzającym

W niniejszym podręczniku wprowadzającym opisano proces instalacji sprzętu połączeniowego serii PTP 670. Użytkownicy korzystający z niniejszego podręcznika muszą przestrzegać dobrych praktyk w zakresie instalacji radiowych na zewnątrz budynków.

W bardziej zaawansowanych konfiguracjach do modułu (ODU) mogą być podłączone jeden lub dwa dodatkowe interfejsy Ethernet: jeden do portu SFP (miedzianego lub optycznego) i jeden do portu AUX. Szczegółowe informacje na temat tych konfiguracji można znaleźć w podręczniku użytkownika urządzeń serii PTP 670.

W niniejszym podręczniku wprowadzającym opisano proces wdrażania urządzeń PTP 670 w następujących krajach:

- Irlandia
- Norwegia
- Wielka Brytania

Dostępne są także podręczniki wprowadzające przeznaczone dla innych krajów członkowskich UE. Można je znaleźć na stronie internetowej pod adresem:

<http://www.cambiumnetworks.com/guides>

### Przeznaczenie:

Moduły radiowe Cambium Networks serii PTP 670 obsługują transmisję danych przez łącza mikrofalowe typu Point to Point (PTP). Moduły radiowe są przeznaczone do zastosowań profesjonalnych, wyłącznie w stacjonarnych instalacjach zewnętrznych. Urządzenia są oferowane w wersji z anteną zintegrowaną albo ze złączami anteny zewnętrznej.

## Stosowanie na terenie UE

### Pasma częstotliwości, moc maksymalna, bezpieczna odległość

Produkty serii PTP 670 pracują w następujących zakresach częstotliwości do wskazanego limitu mocy:

Robocze pasmo częstotliwości	Norma UE	Moc maksymalna (EIRP)	Dozwolone zastosowanie	Minimalna bezpieczna odległość
5470 – 5600 MHz 5650 – 5725 MHz	EN 301 893	1 watt/30 dBm	UK, Ireland, Norway: Unlicensed.	0 cm

### Ograniczenia i wymogi homologacji

Urządzenie jest przeznaczone wyłącznie do użytku na zewnątrz.

Urządzenia z serii Cambium PTP 670 mogą być konfigurowane na potrzeby korzystania z licencjonowanych lub nielicencjonowanych pasm częstotliwości odpowiednio do podziału pasm w danych krajach. Operatorzy i użytkownicy końcowi muszą zadbać o to, aby podczas instalacji i eksploatacji sprzętu były przestrzegane wszystkie obowiązujące w danym kraju normy i przepisy, a także uzyskać wymagane prawem licencje i zezwolenia

### Anteny dla jednostek ze złączem anteny zewnętrznej

Moduły zewnętrzne (ODU) PTP 670 ze złączem anteny zewnętrznej zostały zaprojektowane z myślą o współpracy z anteną dwupolaryzacyjną, wykorzystującą polaryzację pionową i poziomą. Moduły radiowe przetestowano pod kątem zgodności z przepisami UE przy użyciu wymienionych poniżej typów anten. W dokumencie podano maksymalny zysk każdego typu anten. Można stosować anteny o zysku równoważnym lub



niższym oraz anteny tego samego typu. Nie należy używać anten o wyższym zysku. W celu ograniczenia potencjalnych zakłóceń radiowych dla innych użytkowników rodzaj anteny i jej zysk muszą być dobrane w taki sposób, aby równoważna moc promieniowana izotropowo (EIRP) nie była większa niż jest to konieczne do nawiązania skutecznej komunikacji.

Typ anteny	Zysk anteny producenta (dBi)		
	Pasmo 4,9 GHz, Pasmo 5,1 GHz,	Pasmo 5,4 GHz,	Pasmo 5,8 GHz,
Antena paraboliczna 1,8 m	36,0	Nieobstugiwane	38,1
Antena paraboliczna 1,2 m	32,6	34,9	35,3
Antena płaska	23,0	23,0	23,0
Antena sektorowa	17,0	17,0	17,0
Antena dookólna	13,0	13,0	13,0

### Zalecane anteny paraboliczne

Następujące anteny paraboliczne nadają się do użytku z modułem ODU PTP 670 ze złączem anteny zewnętrznej, z zastrzeżeniem maksymalnego zysku antenowego przedstawionego powyżej.

Nr katalogowy Cambium	Opis
RDH4503B	5,25–5,85 GHz 0,6 m, 29,0 dBi, dwupolaryzacyjna, polaryzacja pionowa i pozioma, z możliwością dokładnej regulacji
RDH4504B	5,25–5,85 GHz 0,9 m, 32,5 dBi, dwupolaryzacyjna, polaryzacja pionowa i pozioma
RDH4505B	5,25–5,85 GHz 1,2 m, 34,9 dBi, dwupolaryzacyjna, polaryzacja pionowa i pozioma
RDH4506B	5,25–5,85 GHz 1,8 m, 37,9 dBi, dwupolaryzacyjna, polaryzacja pionowa i pozioma
RDH4508B	5,25–5,85 GHz 0,6 m, 28,8 dBi, dwupolaryzacyjna o wysokiej wydajności
RDH4509B	5,25–5,85 GHz 0,9 m, 32,3 dBi, dwupolaryzacyjna o wysokiej wydajności
RDH4510B	5,25–5,85 GHz 1,2 m, 34,7 dBi, dwupolaryzacyjna o wysokiej wydajności
RDH4511B	5,25–5,85 GHz 1,8 m, 37,7 dBi, dwupolaryzacyjna o wysokiej wydajności

### Konfiguracja ODU

Podczas instalacji należy przestrzegać następujących ważnych instrukcji. Zapewni to zgodność z obowiązującymi przepisami.

- Upewnij się, że w ODU zainstalowano najnowszą wersję oprogramowania sprzętowego (firmware). Firmware jest dostępne do pobrania na stronie Cambium Support Centre (łącze poniżej).
- Podczas konfiguracji sprzętu sprawdź, czy posiadana wersja ODU jest przeznaczona do użytku w UE. Za pomocą Centrum Wsparcia Cambium wygeneruj klucz licencyjny odpowiedni dla kraju, w którym będzie obsługiwany produkt. Zainstaluj klucz licencyjny w ODU. Klucz licencji odblokowuje dodatkowe pasma, które są dozwolone w kraju użytkowania.
- W przypadku urządzeń z anteną zewnętrzną wprowadź dane zysku anteny i strat na przewodzie w polach Zysk anteny \[Antenna Gain] i Strata na przewodzie \[Cable Loss] na stronie Konfiguracja interfejsu w przeglądarce internetowej.

### Uproszczona deklaracja zgodności UE

Niniejszym producent, Cambium Networks Ltd, oświadcza, że urządzenia radiokomunikacyjne typu PTP 670 Connectorised ODU 5 GHz i PTP 670 Integrated ODU 5 GHz spełniają wymogi dyrektywy 2014/53/UE. Pełny tekst unijnej deklaracji zgodności jest dostępny pod następującym adresem internetowym:

<http://www.cambiumnetworks.com/support/compliance/>

## Profesjonalna instalacja

Instalacja i obsługa tego produktu są działaniami o wysokim stopniu złożoności. Należy postępować zgodnie z instrukcjami podanymi w ulotce. Należy zagwarantować, aby urządzenia funkcjonowały zgodnie z przepisami obowiązującymi w kraju ich eksploatacji. Instalatorzy muszą mieć odpowiednie kwalifikacje, wiedzę i doświadczenie, aby przeprowadzić montaż. Zakres odpowiedzialności:

- Znajomość aktualnie obowiązujących przepisów w zakresie komunikacji radiowej, instalacji elektrycznych, ochrony przeciwprzepięciowej i pracy na wysokości.
- Przeprowadzenie instalacji zgodnie z wytycznymi Cambium Networks.
- Potwierdzenie, że parametry pracy urządzenia są zgodne z obowiązującymi przepisami krajowymi i regionalnymi.

## User documentation

Pełną treść instrukcji dotyczących planowania montażu urządzenia PTP 670 oraz listę komponentów można znaleźć w dokumencie *Podręcznik użytkownika urządzeń serii PTP 670* dostępnym do pobrania pod adresem:

<http://support.cambiumnetworks.com/files/ptp670>

## Dyrektywa o zużytym sprzęcie elektrycznym i elektronicznym (WEEE):



Zużyty sprzęt elektryczny i elektroniczny ani jego akcesoria nie powinny być utylizowane jako część odpadów zmieszanych. W niektórych krajach lub regionach zorganizowano systemy selektywnej zbiórki odpadów elektrycznych i elektronicznych. W celu uzyskania informacji o selektywnym odbiorze odpadów w krajach Unii Europejskiej należy skontaktować się z lokalnym sprzedawcą sprzętu lub z centrum serwisowym Cambium Networks.

Instrukcje dotyczące utylizacji zużytych produktów można znaleźć na stronie:

<http://www.cambiumnetworks.com/support/weee-compliance>

## Bezpieczeństwo



Ostrzeżenie Aby zapobiec utracie życia lub obrażeniom ciała, należy przestrzegać poniższych wskazówek dotyczących bezpieczeństwa. Cambium Networks w żadnym wypadku nie ponosi odpowiedzialności za jakiegokolwiek obrażenia lub szkody spowodowane podczas instalacji urządzeń Cambium PTP 670. Należy dopilnować, aby urządzenie PTP 670 było instalowane wyłącznie przez wykwalifikowany personel.

### Linie energetyczne

Należy zachować szczególną ostrożność podczas pracy w pobliżu linii energetycznych.

### Prace na wysokościach

Należy zachować szczególną ostrożność podczas pracy na wysokości.

## Zasilacz

Do zasilania ODU zawsze należy używać zasilaczy AC Power Injector lub AC+DC Enhanced Power Injector. Niezastosowanie zasilacza dostarczonego przez Cambium może spowodować uszkodzenie sprzętu i unieważnić certyfikat bezpieczeństwa, a także spowodować zagrożenie bezpieczeństwa.

## Uziemienie i zabezpieczająca instalacja odgromowa

Moduł zewnętrzny (ODU) wymaga odpowiedniego uziemienia w celu zabezpieczenia go przed uderzeniami piorunów. Odpowiedzialność za montaż urządzenia zgodnie z obowiązującymi przepisami spoczywa na użytkowniku. Instalacja w Stanach Zjednoczonych powinna zostać wykonana zgodnie z kodeksem National Electrical NFPA 70-2005 i 780-2004 *Installation of Lightning Protection Systems*. Instalacja w Kanadzie powinna zostać wykonana zgodnie z Częścią 54 *kanadyjskiego kodeksu elektrycznego*. W kodeksach tych opisano prawidłowe procedury przygotowania uziemienia urządzenia zewnętrznego, masztu, przewodu wejściowego i jednostki wyładowującej, grubość przewodów uziemiających oraz wymagania dotyczące podłączenia elektrod uziemiających. W innych krajach mogą obowiązywać inne przepisy i dlatego zaleca się zlecenie montażu urządzenia na zewnątrz profesjonalnemu instalatorowi.

## Zasilanie prądem stałym

Do zasilania ODU prądem stałym należy zawsze używać zasilacza AC+DC Enhanced Power Injector, nr katalogowy Cambium C000065L002C. Zasilacz prądu stałego musi spełniać wymagania określone w *podręczniku użytkownika urządzeń serii PTP 670*.

## Odłączanie zasilania przed serwisowaniem

Przed rozpoczęciem serwisowania urządzenia PTP 670 należy wyłączyć zasilanie i odłączyć urządzenie od zasilacza. Nie należy odłączać przewodów dołączeniowych RJ45 od ODU, gdy zasilacz jest podłączony do źródła zasilania. Należy zawsze odłączyć zasilacz od źródła zasilania (prądu przemiennego lub stałego).

## Odłącznik główny

Głównym odłącznikiem urządzenia jest zasilacz. Zasilacz AC-DC Enhanced Power Injector ma bezpiecznik na wejściu prądu stałego. W niektórych instalacjach należy zainstalować dodatkowy odłącznik ochronny lub wyłącznik izolacyjny na źródle zasilania prądem stałym.

## Kable zewnętrzne

W przypadku połączeń narażonych na warunki zewnętrzne stosować kable przeznaczone do zastosowań zewnętrznych – zastosowanie nieprawidłowych kabli może stanowić zagrożenie dla bezpieczeństwa. W przypadku połączeń zewnętrznych z przewodami miedzianymi Cat5e Ethernet należy zawsze stosować kabel Cat5e wypełniony żelazem i ekranowany stalą powlekaną miedzią. Cambium Networks nie zaleca i nie wspiera stosowania innych rodzajów kabli dołączeniowych z urządzeniem PTP 670.

Montaż kabli zasilających prądem przemiennym należy zawsze powierzać wykwalifikowanemu elektrykowi.

## Tester kabli dołączeniowych

NIGDY nie należy stosować testera kabli dołączeniowych od strony ODU podłączonego do zasilacza. Testera należy używać wyłącznie na dole masztu w połączeniu z multimetrem, ponieważ napięcie zasilacza jest wyższe niż górny limit bezpiecznego napięcia obsługi zasilaczy w warunkach wilgotnych obowiązujący w niektórych krajach i dlatego może stwarzać zagrożenie bezpieczeństwa.

## Narażenie na promieniowanie radiowe w pobliżu anteny

Gdy nadajnik jest włączony, w pobliżu anteny występują silne pola promieniowania o częstotliwości radiowej. Przed przystąpieniem do prac serwisowych przed anteną należy koniecznie wyłączyć ODU.

## Minimalne odległości

Należy zapewnić, aby personel nie był narażony na niebezpieczny poziom promieniowania elektromagnetycznego. Moduły zaczynają wytwarzać drgania elektromagnetyczne natychmiast po włączeniu.

Nigdy nie należy pracować przed anteną, gdy do modułu zewnętrznego (ODU) jest podłączone zasilanie. ODU należy instalować z zachowaniem minimalnych wymaganych odległości od wszystkich osób.

## Wymagania dotyczące uziemienia i ochrony odgromowej

Instalacja musi spełniać wymagania określone w *podręczniku użytkownika urządzeń serii PTP 670*.

### Metody montażu kabla uziemiającego

Aby zapewnić skuteczną ochronę przed przepięciami spowodowanymi wyładowaniami atmosferycznymi, należy przestrzegać poniższych wymagań:

- Przewody uziemiające muszą być możliwie krótkie i ułożone równo, a wszelkie zakręty i łuki należy ograniczyć do niezbędnego minimum.
- Kable uziemiające nie mogą być montowane z pętlami ściekowymi.
- Promienie łuków nie mogą wynosić mniej niż 203 mm, a kąty nie mogą być mniejsze niż 90°. O ile to możliwe i pozwoli uniknąć zagięć, zaleca się układanie przewodów skośnie, nawet jeśli przewód nie będzie podążać za konturem lub bieć równoległe do konstrukcji nośnej.
- Wszystkie łuki, zagięcia i połączenia muszą być poprowadzone w kierunku systemu elektrody uziemiającej, pręta odgromowego lub drutu odgromowego.
- Przewody uziemiające muszą być bezpiecznie zamocowane.
- Nie wolno stosować plecionych przewodów uziemiających.
- Przewodniki z różnych metali należy scalać ze sobą wyłącznie przy użyciu zatwierdzonych technik łączenia.

### Wybór miejsca montażu ODU i anten

Konstrukcje ODU i anten zewnętrznych nie są odporne na bezpośrednie uderzenie pioruna. Z tego powodu należy je montować w strefie B zdefiniowanej w *podręczniku użytkownika urządzeń serii PTP 670*. Montaż tych elementów w strefie A może narazić wyposażenie i infrastrukturę na uszkodzenie lub zniszczenie, a także może powodować zagrożenie dla życia.

### Odporność na wiatr

Należy upewnić się, że ODU i konstrukcja, do której jest zamocowany, są w stanie wytrzymać napór wiatru wiejącego z maksymalną prędkością notowaną w danym regionie.

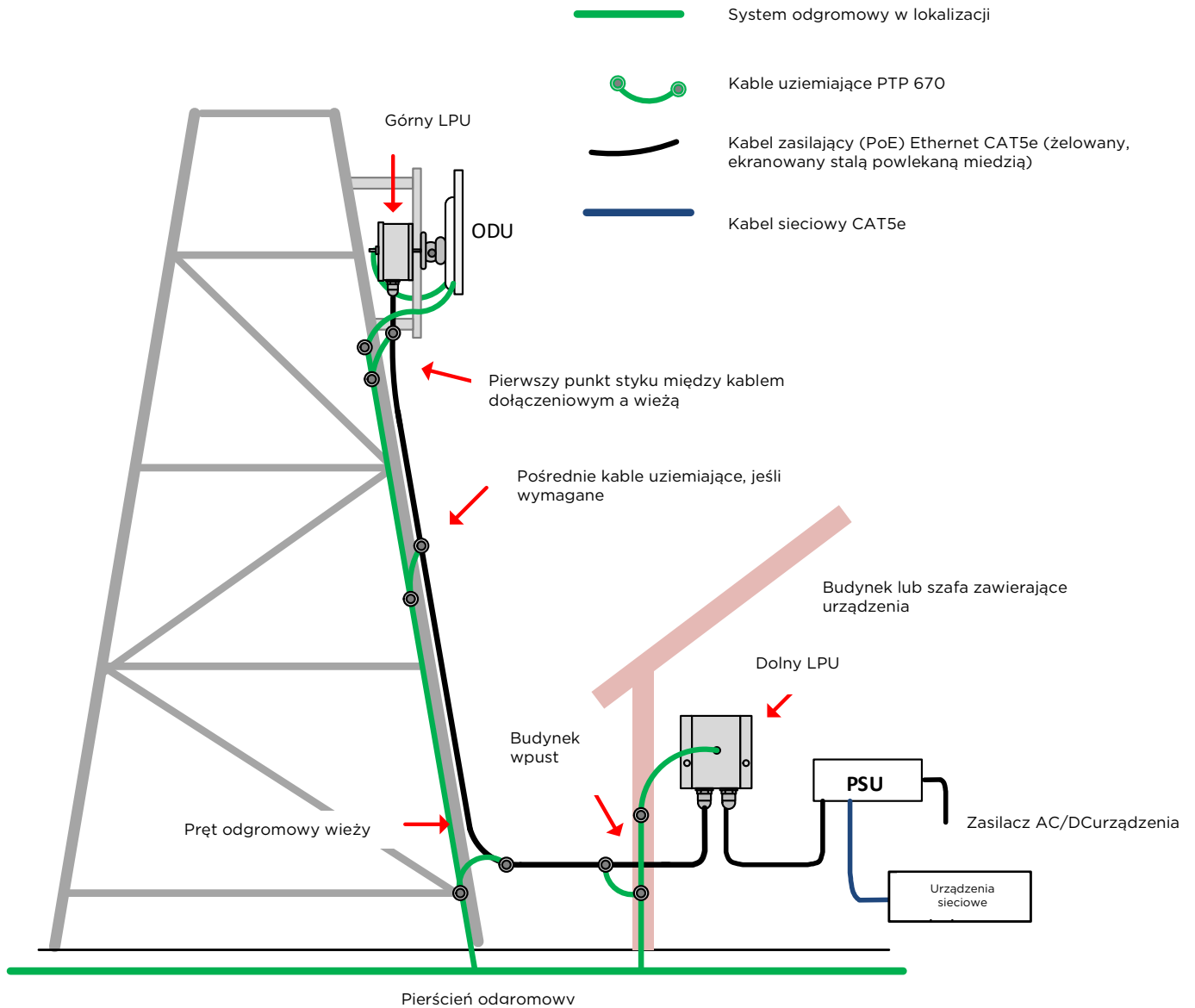
### Temperatura powierzchni

Obudowa urządzenia w trakcie pracy może być rozgrzana.

## Producent urządzenia

Cambium Networks Ltd, Unit B2 Linhay Business Park, Eastern Road, Ashburton, Devon, TQ13 7UP, Wielka Brytania.

## Typowa instalacja



Miejsce montażu PTP 670 składa się zazwyczaj z wysokiej konstrukcji nośnej, takiej jak maszt, wieża lub budynek z wyposażeniem zewnętrznym (ODU i opcjonalna antena zewnętrzna) oraz budynku z wyposażeniem lub zabezpieczonej przed wilgocią obudowy wyposażenia wewnętrznego (zasilacza). Na ilustracji przedstawiono typową instalację na maszcie lub wieży:



**Uwaga** W niniejszej instrukcji przyjęto założenie, że jednostki LPU są montowane przy użyciu zestawu LPU z wyposażeniem odgromowym, nr katalogowy Cambium C00000065L007A. Jeśli dana instalacja nie wymaga stosowania LPU, należy odpowiednio zmodyfikować niniejsze instrukcje.

W przypadku montowania LPU należy używać wyłącznie pięciu elektromagnetycznych dławików kablowych z czarną końcówką, które zostały dołączone do zestawu LPU z wyposażeniem odgromowym. Dławików kablowych ze srebrną końcówką dołączonych do zestawów ODU należy używać do instalacji urządzeń PTP 670, w których nie stosuje się LPU.

## Warianty ODU i opcje klamry montażowej

### Warianty ODU

Moduł zewnętrzny (ODU) PTP 670 jest dostarczany w dwóch wariantach platformy.

ODU PTP 670 ze zintegrowaną anteną jest podłączony do anteny płaskiej o zysku 23 dBi i jest przeznaczony do tworzenia połączeń na średnich i długich dystansach w trudnych warunkach oraz na łączach dosyłowych, gdzie wymagana jest duża pojemność i wysoki budżet łącza. Zintegrowana antena zapewnia wygodne i łatwe w montażu rozwiązanie, w którym dodatkowy zysk anten zewnętrznych nie jest wymagany.

#### ODU ze zintegrowaną anteną (4,8 do 5,9 GHz)



#### ODU ze zintegrowaną anteną (4,9 do 6,05 GHz)



Moduł zewnętrzny PTP 670 ze złączem anteny zewnętrznej obsługuje różnorodne rodzaje anten zewnętrznych. Anteny zewnętrzne cechują się na ogół większym zyskiem niż anteny zintegrowane, co pozwala na pracę modułów PTP 670 w trudniejszych warunkach radiowych.



### Opcje klamr montażowych

Seria PTP 670 obsługuje trzy ułożenia klamr montażowych. Należy dobrać odpowiednie rozmieszczenie klamr montażowych do średnicy masztu i wariantu ODU:

Klamra	Średnica masztu	Warianty ODU	Nr katalogowy klamry
Zespół klamry przechylnej	40 mm do 77 mm (1,6 cala do 3,0 cali)	PTP 670 z anteną zintegrowaną PTP 670 ze złączem anteny zewnętrznej	N000045L002A
Zespół klamry przechylnej z paskami dociskającymi	90 mm do 230 mm (3.6 inches do 9.0 cali)	PTP 670 z anteną zintegrowaną PTP 670 ze złączem anteny zewnętrznej	N000045L002A + zaciski zewnętrznego dostawcy
Klamra montażowa (zintegrowana)	40 mm do 82 mm (1.6 inches do 3.2 cali)	PTP 670 z anteną zintegrowaną	N000065L031A



Uwaga Zespół klamry przechylnej jest częścią zestawów urządzeń PTP 670 z anteną zintegrowaną i złączem anteny zewnętrznej. W razie potrzeby klamrę montażową (do wersji zintegrowanej) można zamówić oddzielnie.



Uwaga Zespół klamry przechylnej pozwala na regulację kąta ułożenia ODU z anteną zintegrowaną od  $-17^{\circ}$  do  $+26^{\circ}$ . Klamra montażowa (zintegrowana) pozwala na regulację kąta ułożenia od  $-26^{\circ}$  do  $+41^{\circ}$ .

## Montaż ODU i górnego LPU

### Podłączanie kabli dosytowych do ODU

- 1 Przymocuj kabel uziemiający do każdego punktu uziemienia ODU za pomocą (małych) wypustów z otworami M6: jeden jest przeznaczony dla górnego LPU (wypust M6 na drugim końcu), a drugi jest przeznaczony dla wieży lub budynku (wypust M10 na drugim końcu). Nie ma znaczenia, który kabel zostanie przymocowany do danego punktu uziemiającego ODU.
- 2 Dokręć obie śruby uziemiające ODU z momentem obrotowym 5,0 Nm.



### Montaż ODU na maszcie

Wybierz najbardziej odpowiednią klamrę montażową z opcji wymienionych w części Opcje klamr montażowych na str. 153. W zależności od wybranej opcji należy odnieść się do poszczególnych procedur poniżej:

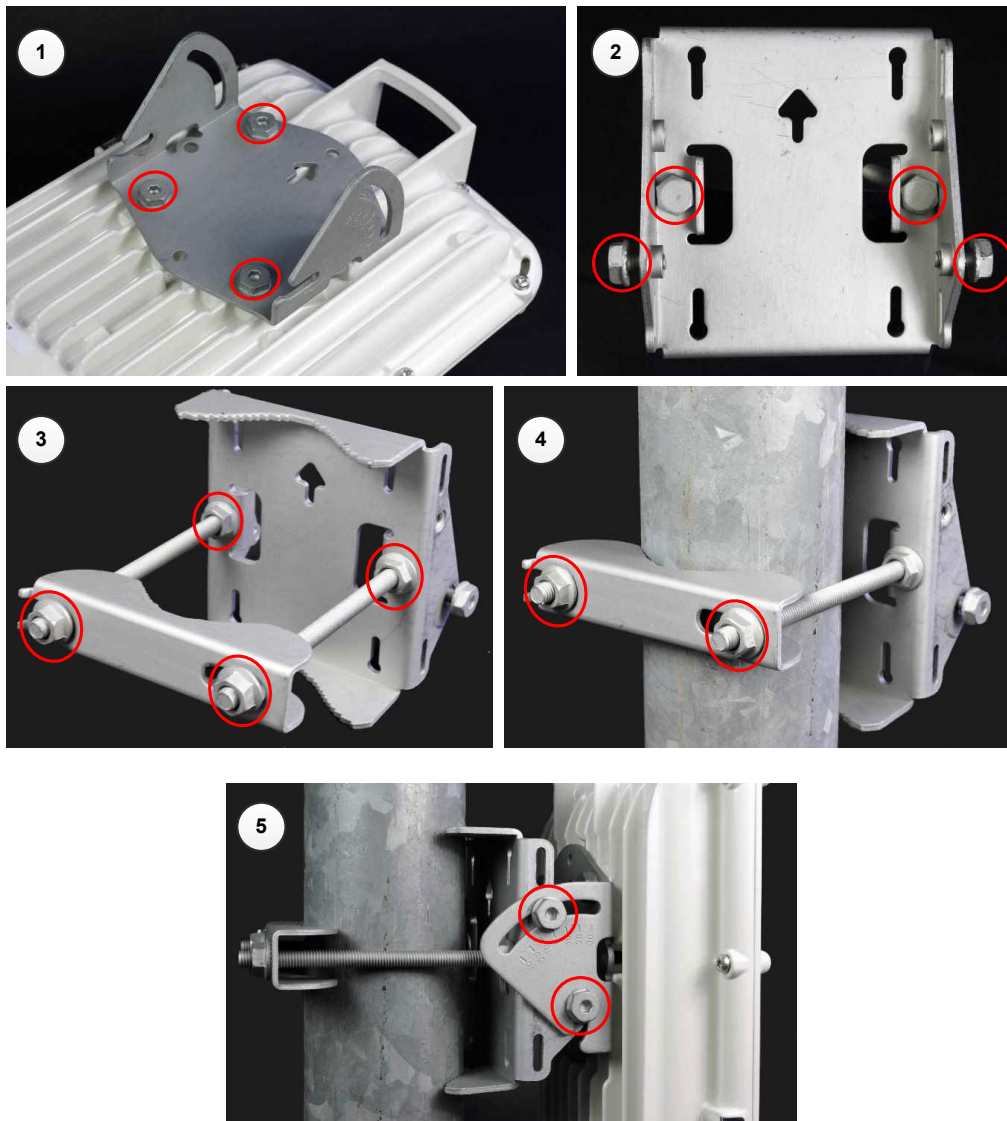
- Zespół klamry przechylnej na str. 155
- Zespół klamry przechylnej z paskami dociskającymi na str. 157
- Klamra montażowa (zintegrowana) na str. 158

Procedury montażowe mogą być dostosowane do mocowania ODU do odpowiedniego poziomego masztu, ale w porównaniu z instalacją na pionowym maszcie będzie wymagana regulacja kąta azymutu.

#### Zespół klamry przechylnej

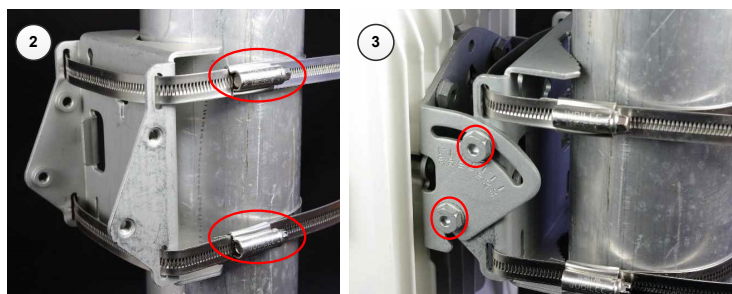
- 1 Przymocuj płytę montażową klamry przechylnej do tylnej części ODU za pomocą czterech krótkich śrub, upewniając się, że strzałka widoczna na płycie jest skierowana w kierunku górnej części ODU. Dokręć cztery śruby z momentem obrotowym 5,0 Nm za pomocą klucza płaskiego lub nasadowego o średnicy 13 mm.
- 2 Włóż dwie długie śruby przez korpus wspornika tak, aby łby śrub wpasowały się w szczeliny, jak pokazano na rysunku. Włóż dwie krótkie śruby z boku korpusu wspornika. Nie dokręcaj.
- 3 Przykręć dwie nakrętki do długich śrub i dokręć je do korpusu wspornika za pomocą klucza 13 mm. Zamontuj pasek klamry i przykręć pozostałe nakrętki na długie śruby.
- 4 Zamocuj zmontowany korpus klamry do masztu, wyreguluj kąt azymutu i dokręć nakrętki z momentem 10,0 Nm za pomocą klucza 13 mm, upewniając się, że strzałka w korpusie jest skierowana do góry.
- 5 Podnieś ODU do pozycji montażowej. Zamontuj płytę montażową do korpusu klamry tak, aby krótkie śruby przeszły przez otwarte szczeliny. Włóż pozostałe krótkie śruby przez dłuższe zakrzywione szczeliny i w otwory gwintowane w korpusie wspornika. Wyreguluj kąt elewacji i dokręć śruby z momentem obrotowym 8,0 Nm za pomocą klucza płaskiego lub gniazdowego o średnicy 13 mm.





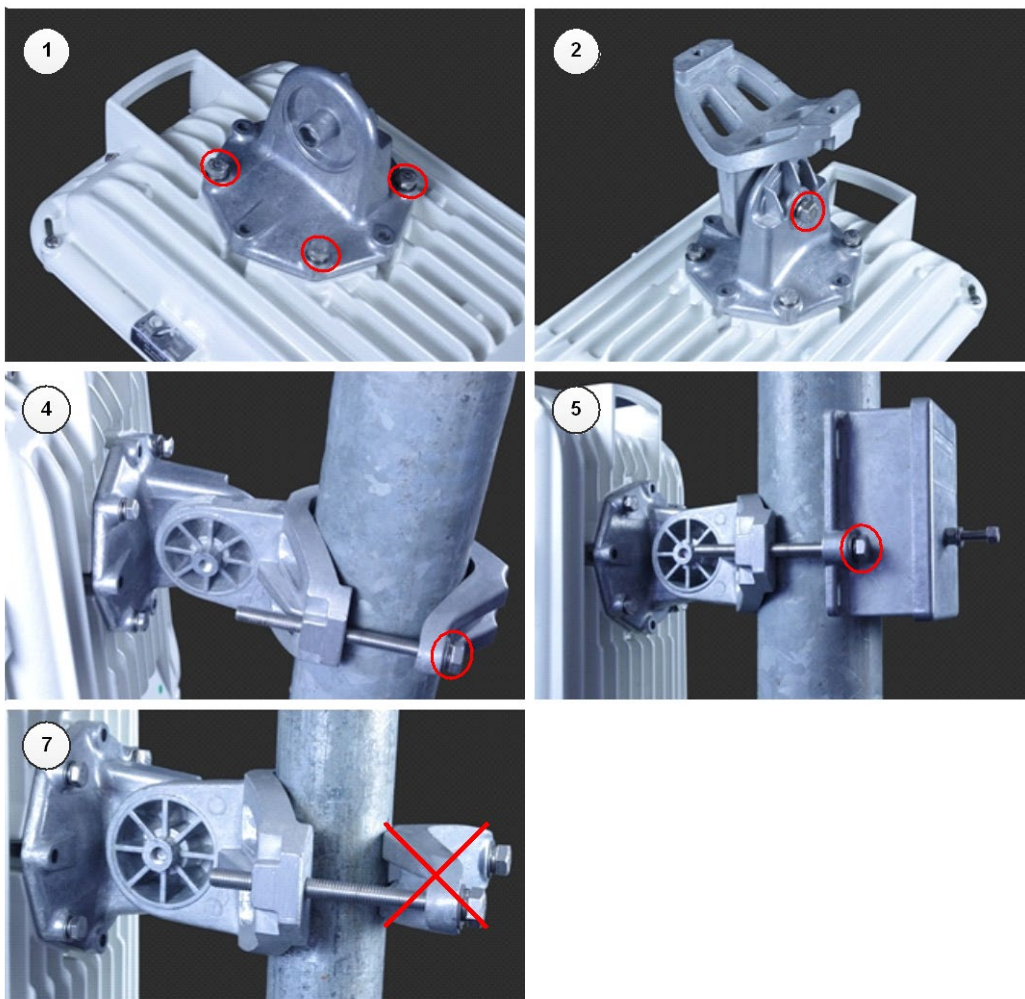
### Zespół klamry przechylnej z paskami dociskającymi

- 1 Wykonaj krok 1 opisany w procedurze montażu klamry przechylnej powyżej.
- 2 Przełóż zaciski opaski (nie są dołączone do zestawu) przez otwory w obudowie klamry. Zamontuj klamrę na maszcie za pomocą zacisków, upewniając się, że strzałka w korpusie jest skierowana do góry. Wyreguluj kąt azymutu i dokręć zaciski z momentem obrotowym 6,0 Nm.
- 3 Podnieś ODU do pozycji montażowej. Zamontuj płytę montażową do korpusu klamry za pomocą czterech krótkich śrub i klucza płaskiego lub gniazdowego o średnicy 13 mm. Wyreguluj kąt elewacji i dokręć śruby z momentem obrotowym 8,0 Nm.



## Klamra montażowa (zintegrowana)

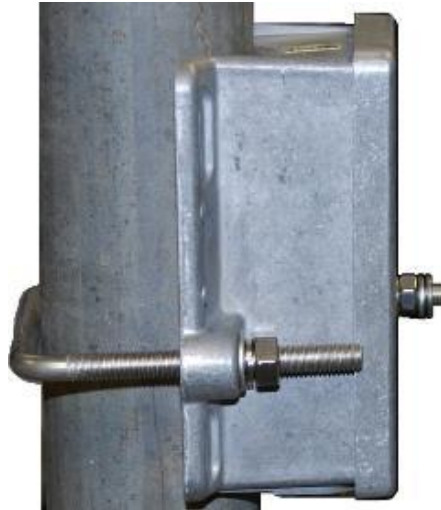
- 1 Przymocuj płytę montażową do tylnej części ODU za pomocą czterech śrub oraz podkładek sprężynujących i gładkich (dołączonych do zestawu). Podkładki sprężynujące należy włożyć między łeb śruby a podkładkę gładką. Dokręć śruby z momentem obrotowym 5,0 Nm.
- 2 Przymocuj klamrę do płyty montażowej za pomocą śruby M8 oraz podkładek sprężynujących i gładkich. Podkładki sprężynujące należy włożyć między łeb śruby a podkładkę gładką.
- 3 Podnieś ODU do pozycji montażowej.
- 4 Przymocuj klamrę do masztu za pomocą zacisku klamry, śruby M8 oraz podkładek sprężynujących i gładkich. Podkładki sprężynujące należy włożyć między łeb śruby a podkładkę gładką. W przypadku montażu tyłem do siebie klamrę należy zastąpić LPU.
- 5 Wyreguluj wysokość i azymut, aż zespół będzie wyglądał na równo ułożony. Dokręć wszystkie trzy śruby klamry z momentem obrotowym 8,0 Nm.



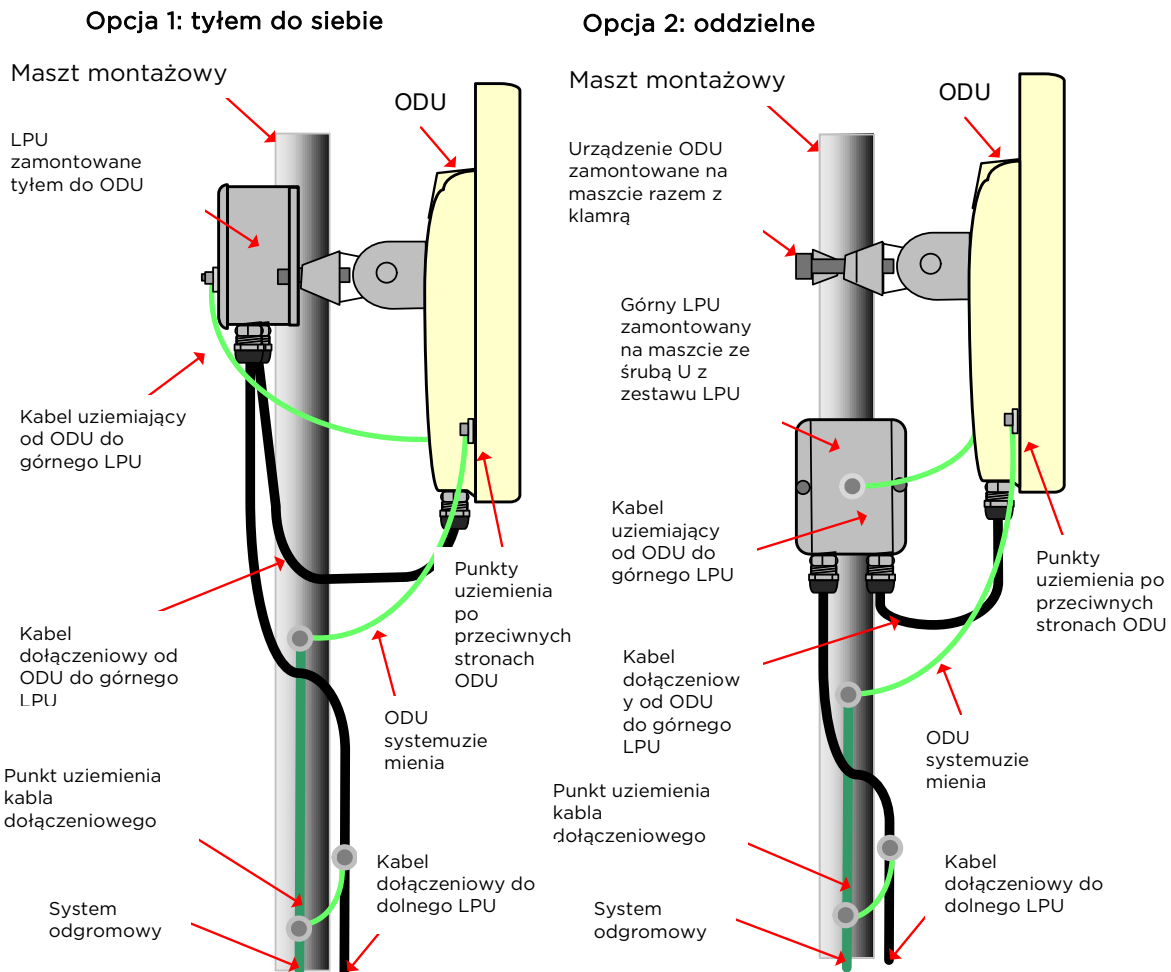
Uwaga Nie należy odwracać zacisku klamry (jak pokazano w punkcie 7 powyżej), ponieważ taki układ może doprowadzić do awarii zespołu. Dokręcenie śrub z większym momentem obrotowym niż podany może doprowadzić do awarii zespołu.

## Montaż górnych LPU

W przypadku mocowania LPU oddzielnie należy użyć klamry na śrubę w kształcie litery U, dostępnej w zestawie LPU, a następnie zamontować górną jednostkę LPU na słupku poniżej jednostki ODU. Dokręć z momentem obrotowym 7,0 Nm.



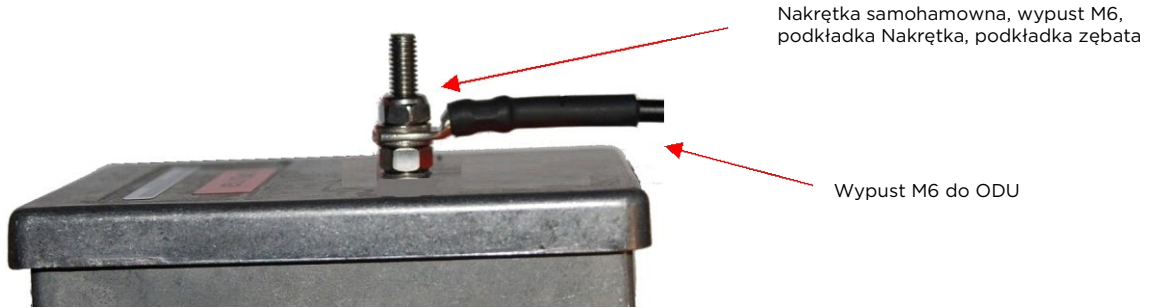
## Połączenie i uziemienie ODU oraz górnego LPU





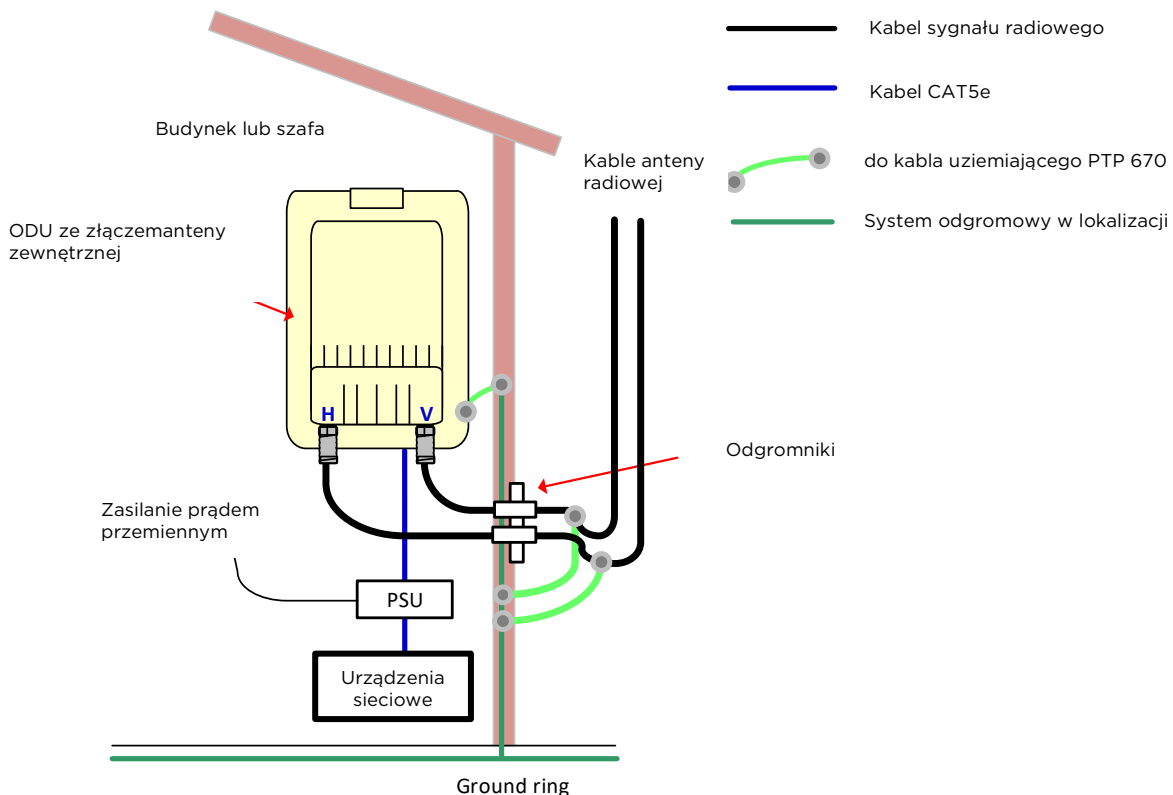
Uwaga Nie należy podłączać przewodów uziemiających do śrub klamry montażowej ODU, ponieważ takie ułożenie nie zapewni pełnej ochrony.

- 1 Dokręć przewód uziemiający ODU do górnego LPU, używając wypustu M6 (małego). Dokręć obie nakrętki z momentem obrotowym 5 Nm:

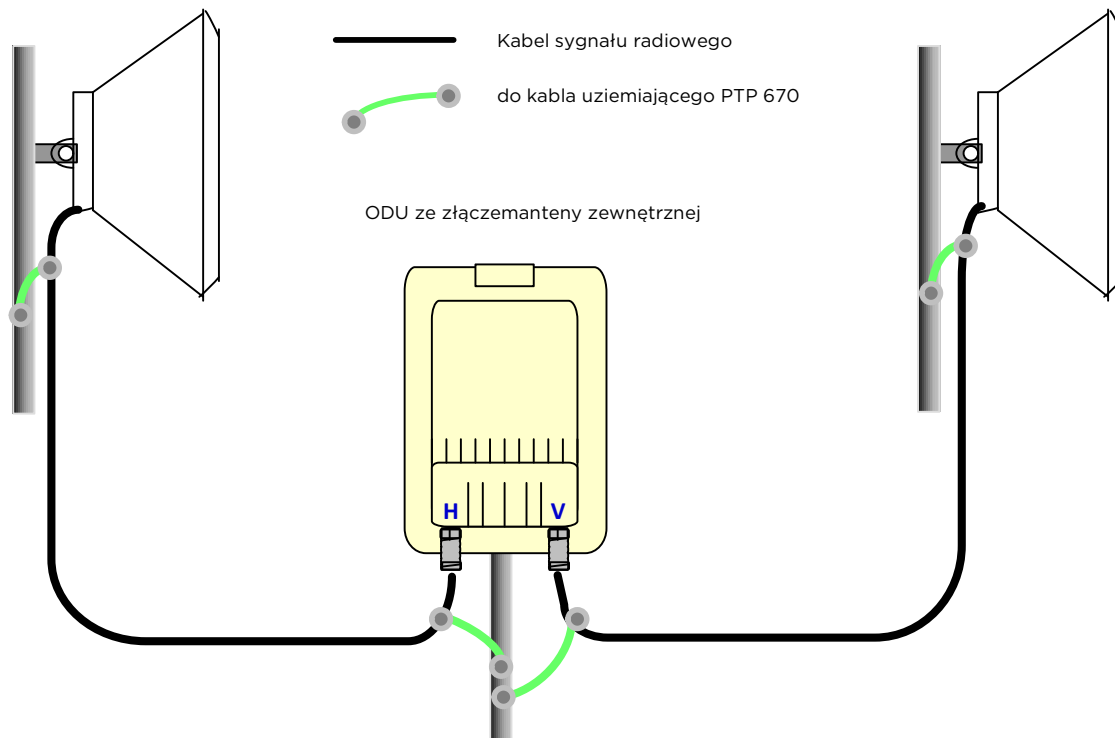


- 2 Wybierz punkt uziemienia wieży lub budynku w odległości 0,3 metra od klamry ODU. Usuń farbę z powierzchni wybranego miejsca i nałóż na nią środek antyoksydacyjny. Dokręć przewód uziemiający ODU do tego miejsca, używając wypustu M10 (dużego).
- 3 Jeśli lokalne przepisy nakazują wykonanie niezależnego uziemienia wszystkich urządzeń, dodaj trzeci przewód uziemiający, łącząc górną jednostkę LPU bezpośrednio z systemem odgromowym.

## Montaż zewnętrznych anten do ODU ze złączem anteny zewnętrznej



- 1 Zamontuj antenę (anteny) zgodnie z instrukcjami producenta. W przypadku stosowania dwóch anten w celu uzyskania różnorodności przestrzennej zamontuj jedną antenę z polaryzacją poziomą, a drugą z polaryzacją pionową.
- 2 Podłącz interfejsy V i H w module ODU do anten za pomocą kabla sygnału radiowego typu CNT-400 (numery katalogowe Cambium 30010194001 i 30010195001) oraz złącza typu N (nr katalogowy Cambium 09010091001). Dokręć złącza typu N z momentem obrotowym 1,7 Nm za pomocą klucza płaskiego o średnicy 24 mm.
- 3 Jeżeli moduł ODU jest montowany w pomieszczeniach zamkniętych, zainstaluj odgromniki w punkcie wejścia do budynku,
- 4 tworząc pętle ściekowe w pobliżu dolnych końców kabli antenowych. Gwarantują one, że woda nie będzie spływać do złącza.
- 5 Jeśli ODU jest montowany na zewnątrz, zabezpiecz złącza typu N przed czynnikami atmosferycznymi (po zakończeniu regulacji anten) przy użyciu taśmy PVC i samospajalnej taśmy gumowej.
- 6 W ten sam sposób należy również zabezpieczyć złącza anteny (chyba że producent anteny zaleca inną metodę zabezpieczenia).
- 7 Wykonaj uziemienie kabli antenowych do miejsca na konstrukcji nośnej znajdującego się w promieniu 0,3 m od modułu ODU i anten, używając zestawu uziemiającego Cambium (nr katalogowy 01010419001):



- 8 Przymocuj kable antenowe do konstrukcji nośnej w sposób zatwierdzony dla danej lokalizacji. Upewnij się, że złącza ODU lub złącza anten nie są nadmiernie obciążone. Upewnij się, że kable nie łopoczą na wietrze, ponieważ łopoczące kable są podatne na uszkodzenia i wywołują niepożądane drgania w konstrukcji nośnej.

## Montaż złącza kabla miedzianego Cat5e Ethernet

Aby zainstalować złącze kabla miedzianego Cat5e Ethernet, należy wykonać następujące czynności:

- Montaż kabla dołączeniowego między ODU a górnym LPU na str. 159
- Montaż głównego kabla dołączeniowego na str. 161
- Montaż kabla dołączeniowego między dolnym LPU a zasilaczem na str. 163
- Test rezystancji kabla dołączeniowego na str. 164



Uwaga Aby uniknąć uszkodzenia instalacji, nie należy podłączać ani odłączać kabla dołączeniowego po podłączeniu zasilania do zasilacza lub urządzeń końcowych sieci.



Uwaga Nie należy podłączać kabli dołączeniowych SFP lub Aux do zasilacza, ponieważ może to spowodować uszkodzenie sprzętu.



Uwaga Należy zawsze stosować kabel Cat5e wypełniony żelazem i ekranowany stalą powlekaną miedzią. Cambium Networks nie zaleca i nie wspiera stosowania innych rodzajów kabli Cat5e. Firma Cambium Network ma w ofercie ten kabel (numery katalogowe Cambium WB3175 i WB3176), złącza RJ45 (nr katalogowy Cambium WB3177) oraz zaciskarkę (nr katalogowy Cambium WB3211). Zestaw LPU i uziemienia zawiera wspomniany kabel Cat5e o długości 0,6 m.

## Montaż kabla dołączeniowego między ODU a górnym LPU

### Montaż dławików na kablach dołączeniowych między ODU a górnym LPU

Na obu końcach przewodu o długości 0,6 m należy zamontować elektromagnetyczne dławiki kablowe odciążające (z czarnymi końcówkami). Te elementy są zawarte w zestawie LPU i uziemienia.

- 1 Zdemontuj dławik i nawiń każdą część na kabel (gumowy korek pozostaje rozdzielony). Zmontuj zacisk sprężynowy oraz gumowy korek:



- 2 Zamontuj elementy na obudowie i delikatnie nakręć nakrętkę dławika za pomocą klucza płaskiego o średnicy 24 mm (nie dokręcaj):



### Podłączanie kabla dołączeniowego do ODU (gniazdo zasilacza) oraz LPU

- 1 (a) Podłącz wtyczkę RJ45 do gniazda w urządzeniu, upewniając się, że zatrząskuje się w gnieździe.  
 (b) Dopasuj obudowę dławika do gniazda RJ45 i dokręć z momentem obrotowym 5,5 Nm.

(a)



(b)



- 2 (a) Zamontuj nakrętkę dławika i dokręć, aż gumowa uszczelka zamknie się na kablu..  
 (b) Nie dokręcaj nadmiernie nakrętki dławika, ponieważ istnieje ryzyko uszkodzenia jego wewnętrznych elementów:

(a)



(b)

Poprawnie



Niepoprawnie



## Odłączanie kabla dołączeniowego od LPU lub ODU

Procedurę tę należy stosować, jeśli konieczne jest zdjęcie elektromagnetycznego dławika odciążającego kabel i odłączenie złącza RJ45 z ODU (jak pokazano na ilustracji) lub LPU.

- 1 (a) Zdejmij nakrętkę dławika. Poruszaj kablem dołączeniowym, aby poluzować obudowę dławika. Po rozprężeniu obudowy dławika we wskazanym miejscu pojawi się szczelina. Odkręć obudowę dławika.
- (b) Za pomocą niewielkiego śrubokrętu naciśnij zaczepek blokujący wtyczki RJ45, a następnie wyjmij wtyczkę RJ45.

(a)



(b)



## Montaż głównego kabla dołączeniowego



Uwaga Metalowa siatka kabla dołączeniowego jest bardzo ostra i może spowodować obrażenia ciała.

- Należy ZAWSZE nosić rękawice odporne na przecięcia (w razie wątpliwości należy dokładnie przeczytać informacje na opakowaniu).
- Należy ZAWSZE nosić okulary ochronne.
- Należy ZAWSZE ściągać izolację z kabli za pomocą narzędzia z ostrzem obrotowym (NIE używać noża).



Ostrzeżenie Nieprzestrzeganie następujących środków ostrożności może spowodować obrażenia ciała lub śmierć:

- Należy użyć uchwyty kablowego odpowiedniego dla instalowanego kabla. Użycie niewłaściwego uchwyty może spowodować wyslizgnięcie kabla lub niewystarczającą wytrzymałość chwytu.
- Nie wolno używać uchwytów więcej niż jeden raz. Używane uchwyty mogą być mniej elastyczne, rozciągnięte lub osłabione. Ponowne użycie uchwyty może spowodować wyslizgnięcie, przerwanie lub upadek kabla.
- Minimalnym wymaganiem jest jeden uchwyt kablowy na każde 60 m kabla.

## Docinanie i dopasowywanie uchwytów kablowych

- 1 Dotnij główny przewód dołączeniowy na odpowiednią długość, wystarczającą do doprowadzenia przewodu z górnego LPU do dolnego LPU.
- 2 Nasuń co najmniej jeden uchwyt kablowy na górną część kabla dołączeniowego.



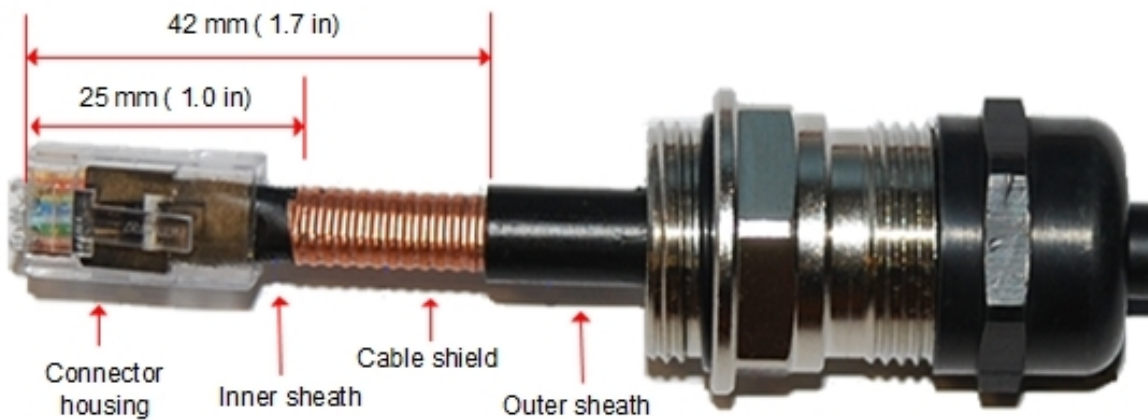
- Przymocuj uchwyt kablowy do kabla za pomocą specjalnego narzędzia, postępując zgodnie z zaleceniami producenta.

## Zakończenie przewodów złączami i dławikami RJ45



Uwaga Należy sprawdzić, czy zaciskarka pasuje do złącza RJ45, w przeciwnym razie może dojść do uszkodzenia kabla lub złącza.

- Nakręć dławik kablowy (z czarną końcówką) na główny kabel dołączeniowy.
- Zdejmij izolację zewnętrzną i włóż belkę obciążeniową wtyczki RJ45.
- Nałóż wtyczkę RJ45 w sposób pokazany na ilustracji. Aby zapewnić skuteczne odciążenie naprężeń, umieść wewnętrzną izolację kabla pod opaską zaciskową obudowy złącza. Nie dokręcaj nakrętki dławika:



## Zawieszanie i montaż głównego przewodu dołączeniowego



Ostrzeżenie Nieprzestrzeganie następujących środków ostrożności może spowodować obrażenia ciała lub śmierć:

- Każdy uchwyt kablowy powinien służyć do podnoszenia tylko jednego kabla. Próby podnoszenia więcej niż jednego kabla mogą spowodować pęknięcie uchwytu lub upadek kabla.
- Nie należy używać uchwytu do obniżania kabli, chyba że zacisk został zamontowany i odpowiednio zabezpieczony.
- Podczas podnoszenia kabla należy utrzymać naprężenie uchwytu. Utrata naprężenia może spowodować niebezpieczne oswobodzenie kabla i obrażenia ciała, a nawet śmierć.
- Nie należy zwalniać naprężenia, dopóki uchwyt nie zostanie przymocowany do konstrukcji nośnej.
- Nie należy obciążać złączy RJ45.



Uwaga Nie należy kłaść kabla dołączeniowego wzdłuż odgromowego łącza powietrznego.

- Wciągnij górny koniec kabla dołączeniowego do górnego LPU, postępując zgodnie z instrukcjami producenta wciągnika. Gdy kabel zostanie umieszczony w żądanym miejscu, dokręć uchwyt do struktury nośnej i odczep linę wciągnika.

- 2 Podłącz główny kabel dołączeniowy do górnego LPU, postępując zgodnie z procedurą opisaną w części Podłączanie kabla dołączeniowego do ODU (gniazdo zasilacza) oraz LPU na str. 18.
- 3 Poprowadź główny przewód dołączeniowy do dolnego LPU.
- 4 Przymocuj główny przewód dołączeniowy konstrukcji nośnej w sposób zatwierdzony dla danej lokalizacji.

### Uziemienie głównego kabla dołączeniowego

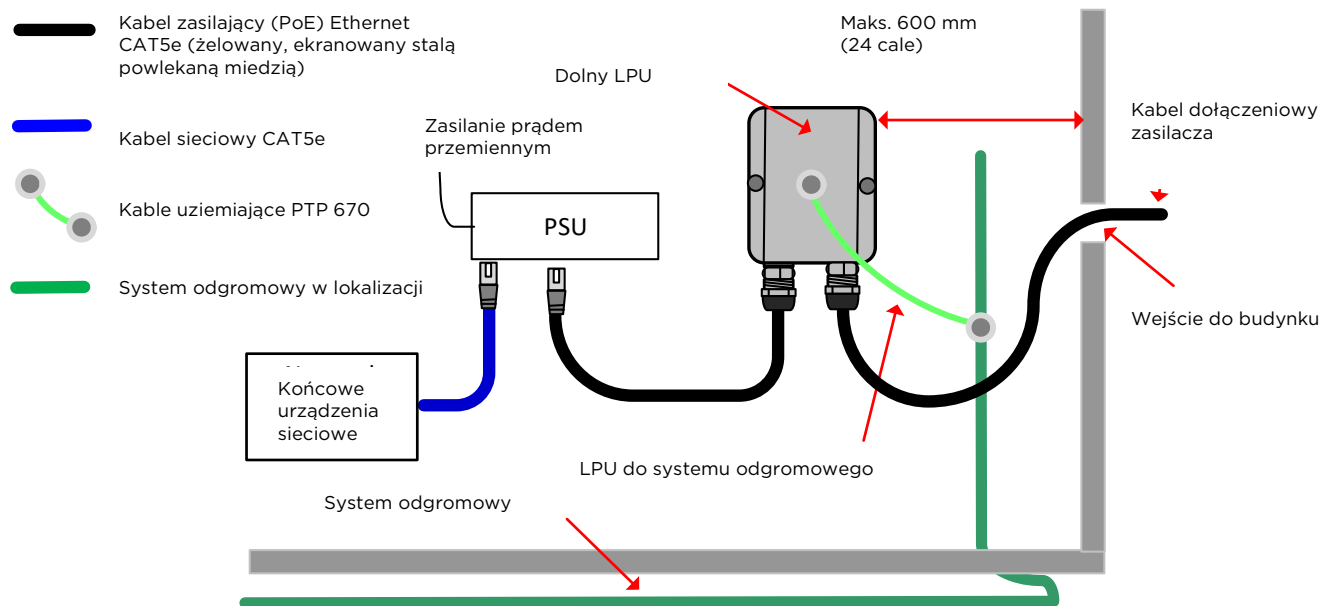
We wszystkich wymaganych punktach uziemienia należy podłączyć ekran głównego kabla dołączeniowego do metalowej powierzchni konstrukcji nośnej za pomocą zestawu uziemiającego kabla (nr katalogowy Cambium 01010419001).

## Montaż kabla dołączeniowego między dolnym LPU a zasilaczem

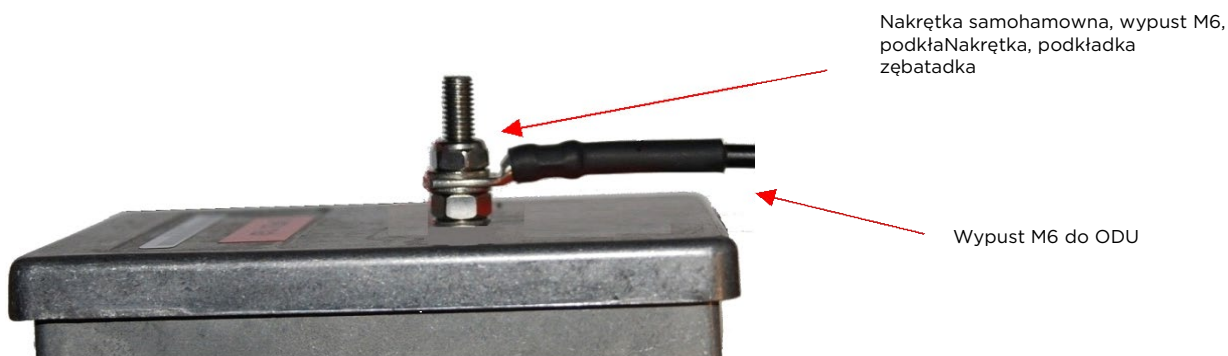
### Montaż dolnego LPU

Przeprowadź montaż, uziemienie i podłączenie dolnego LPU do głównego kabla dołączeniowego.

- 1 Punkt mocowania dolnego LPU powinien znajdować się w promieniu 0,6 m od miejsca wejścia do budynku. LPU należy montować pionowo, dławikami kablowymi do dołu.



- 2 Podłącz główny kabel dołączeniowy do dolnego LPU, postępując zgodnie z procedurą opisaną w części Podłączanie kabla dołączeniowego do ODU (gniazdo zasilacza) oraz LPU na str. 18.
- 3 Dokręć przewód uziemiający ODU do dolnego LPU, używając wypustu M6 (małego). Dokręć obie nakrętki z momentem obrotowym 5 Nm:



- 4 Wybierz punkt uziemienia na budynku, który znajduje się w pobliżu klamry LPU. Usuń farbę z powierzchni wybranego miejsca i nałóż na nią środek antyoksydacyjny. Dokręć przewód uziemiający LPU, używając wypustu M10 (dużego).

### Montaż kabla dołączeniowego między LPU a zasilaczem

Procedurę tę należy stosować do zakładania złączy RJ45 na obu stronach kabla dołączeniowego między LPU a zasilaczem oraz dławika kablowego na końcu podłączanym do LPU.



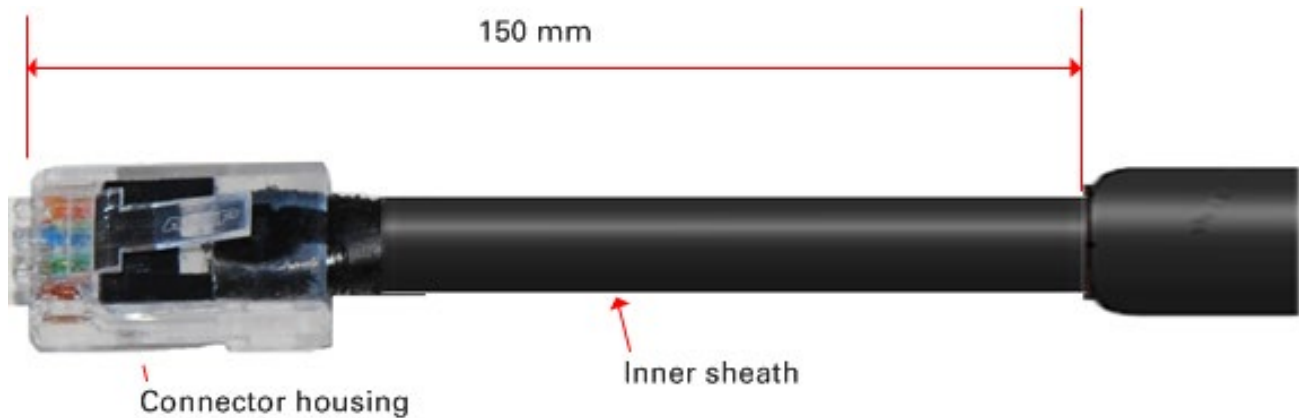
Uwaga Metalowa siatka kabla dołączeniowego jest bardzo ostra i może spowodować obrażenia ciała.

- Należy ZAWSZE nosić rękawice odporne na przecięcia (w razie wątpliwości należy dokładnie przeczytać informacje na opakowaniu).
- Należy ZAWSZE nosić okulary ochronne.
- Należy ZAWSZE ściągać izolację z kabli za pomocą narzędzia z ostrzem obrotowym – nie używać noża z ostrzem.



Uwaga Należy sprawdzić, czy zaciskarka pasuje do złącza RJ45, w przeciwnym razie może dojść do uszkodzenia kabla lub złącza.

- 1 Dotnij przewód dołączeniowy na odpowiednią długość, wystarczającą do doprowadzenia przewodu z dolnego LPU do zasilacza.
- 2 Tylko na końcu wprowadzanym do LPU:
  - Nałóż jeden dławik kablowy i jedną wtyczkę RJ45, wykonując polecenia opisane w części **Zakończenie przewodów złączami i dławikami RJ45** na str. 19.
  - Podłącz kabel z dławikiem do dolnego LPU, postępując zgodnie z procedurą opisaną w części Podłączanie kabla dołączeniowego do ODU (gniazdo zasilacza) oraz LPU na str. 18.
- 3 Tylko na końcu wprowadzanym do zasilacza: Nie zakładaj dławika kablowego. Zdejmij izolację zewnętrzną i włóż belkę obciążeniową wtyczki RJ45. Nałóż obudowę złącza RJ45. Aby zapewnić skuteczne odciążenie naprężeń, umieść wewnętrzną izolację kabla pod opaską zaciskową obudowy złącza:



## Testowanie rezystancji w kablu dołączonym

Podłącz dolny koniec miedzianego kabla dosyłowego Cat5e do odpowiedniego testera kabli dosyłowych i sprawdź, czy rezystancje pomiędzy pinami mieszczą się w prawidłowych granicach podanych w poniższej tabeli. Jeśli którakolwiek z prób zakończy się niepowodzeniem, sprawdź kabel dosyłowy pod kątem nieprawidłowo podłączonych przewodów.

Zmierz rezystancję pomiędzy...	Wprowadź zmierzoną rezystancję	Aby wynik testu został uznany za pomyślny, rezystancja musi wynosić...	Zakreśl „Poprawnie” lub „Niepoprawnie”	Dodatkowe testy lub uwagi
Piny 1 i 2	0 Ω	<20 Ω (60 Ω) (*1)	Poprawnie Niepoprawnie	
Piny 3 i 6	0 Ω	<20 Ω (60 Ω) (*1)	Poprawnie Niepoprawnie	Różnice w wartościach rezystancji nie mogą być większe niż 10% (*2). Zakreśl „Poprawnie” lub
Piny 4 i 5	0 Ω	<20 Ω (60 Ω) (*1)	Poprawnie Niepoprawnie	Pass Fail
Piny 7 i 8	0 Ω	<20 Ω (60 Ω) (*1)	Poprawnie Niepoprawnie	
Pin 1 i ekran (uziemienie ODU)	K Ω	>100K Ω	Poprawnie Niepoprawnie	Opisane limity obowiązują dla wszystkich długości kabla.
Pin 8 i ekran (uziemienie ODU)	K Ω	>100K Ω	Poprawnie Niepoprawnie	

(\*1) Rezystancja 20 Ω jest maksymalną dopuszczalną rezystancją, gdy kabel przenosi sygnały Ethernet.

W przypadku, gdy kabel doprowadza zasilanie tylko do jednostki ODU (tj. gdy sygnały Ethernet są przenoszone przez jeden z pozostałych interfejsów ODU), maksymalną dopuszczalną wartością rezystancji jest 60 Ω.

(\*2) Upewnij się, że różnice w rezystancjach nie są większe niż 10%, mnożąc najniższą rezystancję przez 1,1 – jeśli którakolwiek z pozostałych rezystancji jest większa niż uzyskany wynik, badanie nie powiodło się.

## Montaż zasilacza

Zainstaluj jeden z następujących typów zasilaczy (jak określono w planie instalacji):

- Zasilacz AC Power Injector (nr katalogowy Cambium N000065L001C).
- Zasilacz AC+DC Enhanced Power Injector (nr katalogowy Cambium C000065L002C).



Uwaga Ponieważ zasilacz nie jest wodoszczelny, należy umieścić go z dala od źródeł wilgoci, na przykład w budynku przeznaczonym do montażu urządzeń, bądź w wentylowanej obudowie odpornej na wilgoć. Nie należy umieszczać zasilacza w miejscu, w którym może dojść do przekroczenia znamionowej temperatury roboczej.



Uwaga Do portu ODU w zasilaczu nie należy podłączać jakichkolwiek innych urządzeń poza modułami PTP 650, PTP 670 lub PTP 700. Inne urządzenia mogą ulec uszkodzeniu z powodu niestandardowych technik podawania prądu stałego przez połączenie Ethernet między zasilaczem a ODU.

Do portu PSU w zasilaczu nie należy podłączać jakichkolwiek innych urządzeń poza zasilaczem Cambium PTP 670. Podłączenie innego urządzenia do portu PSU w ODU może spowodować uszkodzenie modułu zewnętrznego lub urządzenia.

## Montaż zasilacza (AC Power Injector)

Poniżej opisano procedurę montażu zasilacza AC Power Injector (nr katalogowy Cambium N000065L001C).

- 1 Utwórz pętlę ściekową na końcu prowadzącym do zasilacza kabla dołączeniowego między LPU a zasilaczem. Dzięki pętli ściekowej wilgoćsptywająca po kablu nie wniknie do zasilacza.
- 2 (a) Umieść zasilacz AC Power Injector na płaszczyźnie poziomej. Podłącz kabel dołączeniowy między LPU a zasilaczem do portu zasilacza z etykietą ODU.  
(b) Gdy system jest gotowy do podłączenia do sieci, podłącz kabel sieciowy Cat5e do portu LAN zasilacza:

(a)



(a)



## Montaż zasilacza AC+DC Enhanced Power Injector

Poniżej opisano procedurę montażu zasilacza AC+DC Enhanced Power Injector (nr katalogowy Cambium C000065L002C).

- 1 Zamontuj zasilacz AC+DC Enhanced Power Injector, dokręcając go do pionowej lub poziomej powierzchni montażowej przy użyciu czterech otworów na śruby (dwóch zakreślonych otworów):



- 2 Utwórz pętlę ściekową na końcu prowadzącym do zasilacza kabla dołączeniowego między LPU a zasilaczem. Dzięki pętli ściekowej wilgoć spływająca po kablu nie wniknie do zasilacza.
- 3
  - (a) Odkręć śrubę mocującą, otwórz pokrywę i włóż kabel dołączeniowy do portu.
  - (b) Zamknij pokrywę i zabezpiecz ją śrubą.
  - (c) Gdy system jest gotowy do podłączenia do sieci, podłącz kabel sieciowy Cat5e do portu LAN zasilacza:

(a)



(b) i (c)



## Configuring the ODU for operation in the EU

### Generate a country-specific License Key

W urządzeniach serii PTP 670 klucz licencyjny jest używany do aktywacji nowych funkcji oraz do zmiany ustawień regulacyjnych jednostki ODU. Nowy klucz licencyjny będzie zawierać informacje o pasmach częstotliwości dozwolonych w danym kraju eksploatacji. Aby wygenerować klucz licencyjny, postępuj zgodnie z poniższą procedurą.

#### Procedura:

- 1 Przejdź do centrum serwisowego Cambium pod adresem:  
<https://support.cambiumnetworks.com/licensekeys/ptp50670>
- 2 Wprowadź adres MAC urządzenia ODU i wybierz kraj instalacji łącza PTP.
- 3 Wyraż zgodę na zasady oraz warunki i kliknij Wyślij.
- 4 Odszukaj ODU według adresu MAC i skopiuj wygenerowany klucz licencyjny ze strony Klucze licencyjne \[License Keys].
- 5 Zapisz klucz licencji (np. przez wklejenie go do edytora tekstu i zapisanie pliku) do użycia w przyszłości.

### Konfiguracja komputera do zarządzania

Procedurę tę należy stosować w celu skonfigurowania lokalnego komputera zarządzającego do komunikacji z urządzeniem PTP 670.

#### Procedura:

- 1 Wybierz ustawienia właściwości portu Ethernet. W systemie Windows 10 można otworzyć ten ekran, wybierając kolejno Panel sterowania > Sieć i Internet > Centrum sieci i udostępniania > Zmień ustawienia karty sieciowej. Kliknij prawym przyciskiem myszy ikonę karty Ethernet i wybierz Właściwości.
- 2 Wybierz Protokół internetowy w wersji 4 (TCP/IPv4).
- 3 Kliknij Właściwości.
- 4 Wprowadź adres IP ważny dla sieci 169.254.X.X, unikając adresów 169.254.0.0 i 169.254.1.1. Przykład dobrego adresu: 169.254.1.3.
- 5 Wprowadź maskę podsieci 255.255.0.0. Pole „Brama domyślna” pozostaw puste.

### Podłączanie ODU do komputera i włączanie urządzenia

Procedurę tę należy stosować w celu skonfigurowania komputera zarządzającego i uruchomienia urządzenia PTP 670.

#### Procedura:

- 1 Sprawdź, czy ODU i zasilacz są poprawnie połączony.
- 2 Połącz port Ethernet komputera PC z portem LAN zasilacza za pomocą standardowego (nie krosowanego) kabla Ethernet.
- 3 Włącz dopływ prądu do zasilacza (z sieci energetycznej lub baterii). Zielona dioda LED zasilania powinna zaświecić w sposób ciągły.
- 4 Po około 45 sekundach sprawdź, czy pomarańczowa dioda Ethernet zaczyna migać (10 powolnych mignięć).
- 5 Sprawdź, czy dioda LED (Ethernet) świeci światłem ciągłym.

## Logowanie do interfejsu w przeglądarce internetowej

Procedurę tę należy stosować do logowania jako administrator systemu do interfejsu w przeglądarce internetowej.

### Procedura:

- 1 Uruchom przeglądarkę internetową z poziomu komputera zarządzającego.
- 2 Wpisz adres IP urządzenia w pasku adresu. Domyślny fabryczny adres IP to 169.254.1.1. Naciśnij ENTER. Zostanie wyświetlone menu interfejsu internetowego i strona Podsumowanie systemu \[System Summary].
- 3 Kliknij pozycję Instalacja \[Installation] w menu. Na stronie logowania będzie widoczne pole do wprowadzenia hasła (domyślnie) lub nazwy użytkownika i hasła (jeśli włączono konta użytkowników oparte na tożsamości). Według ustawień domyślnych hasło jest puste.
- 4 Wprowadź nazwę użytkownika (jeśli jest wymagana) oraz hasło (domyślnie puste) i kliknij przycisk Zaloguj \[Login].

## Aktualizacja klucza licencyjnego i konfiguracja ODU.

Procedurę tę należy stosować do instalowania nowego klucza licencyjnego oraz konfiguracji zysku anteny i straty na kablach w ODU ze złączem anteny zewnętrznej.

### Procedura:

- 1 Kliknij pozycję Instalacja \[Installation] w menu. Kliknij pozycję Przejdź do kreatora instalacji \[Continue to Installation Wizard].
- 2 Na stronie klucza licencyjnego oprogramowania \[Software License Key] wklej klucz licencyjny w polu Klucz licencyjny \[License Key]. Kliknij Wyślij \[Submit] lub Formatuj \[Format].
- 3 W przypadku ODU z anteną zintegrowaną klikaj Dalej \[Next] na kolejnych stronach, aż do wyświetlenia strony konfiguracji połączenia bezprzewodowego \[Wireless Configuration]. Określ atrybuty Pasma określone przepisami \[Regulatory Band] i Maksymalna moc nadajnika \[Maximum Transmitter Power] dla danego pasma. Uwaga: w niektórych państwach członkowskich UE pasmo 5,4 GHz może być jedynym dostępnym pasmem.

Klikaj Dalej \[Next] na kolejnych stronach, aż do wyświetlenia strony potwierdzania konfiguracji \[Confirm Installation Configuration]. Kliknij Potwierdź konfigurację i uruchom ponownie \[Confirm Configuration and Reboot].

- 4 W przypadku ODU ze złączem anteny zewnętrznej klikaj Dalej \[Next] na kolejnych stronach, aż do wyświetlenia strony konfiguracji połączenia bezprzewodowego \[Wireless Configuration]. Określ atrybuty Pasma określone przepisami \[Regulatory Band], Zysk anteny \[Antenna Gain], Strata na kablu \[Cable loss] i Maksymalna moc nadajnika \[Maximum Transmitter Power] odpowiednio dla anteny i kabli użytych do montażu. Uwaga: w niektórych państwach członkowskich UE pasmo 5,4 GHz może być jedynym dostępnym pasmem.

Klikaj Dalej \[Next] na kolejnych stronach, aż do wyświetlenia strony potwierdzania konfiguracji \[Confirm Installation Configuration]. Kliknij Potwierdź konfigurację i uruchom ponownie \[Confirm Configuration and Reboot].



# Cambium Networks

Firma Cambium Networks dostarcza rozwiązania do tworzenia profesjonalnych, szerokopasmowych stałych łączy radiowych i mikrofalowych dla klientów na całym świecie. Nasze rozwiązania zostały wdrożone w tysiącach sieci w ponad 153 krajach, a nasze innowacyjne technologie zapewniają niezawodne, bezpieczne połączenia o dobrym stosunku jakości do ceny, które są łatwe we wdrożeniu i wyjątkowo wydajne.

Nasze wielokrotnie nagradzane rozwiązania do nawiązywania połączeń Point to Point (PTP) działają w licencjonowanych, nielicencjonowanych i zdefiniowanych pasmach częstotliwości użytkowych, w tym w wyspecjalizowanych środowiskach FIPS 140-2 przeznaczonych dla rynku federalnego Stanów Zjednoczonych. Nasze wzmocnione rozwiązania PTP zostały zaprojektowane tak, aby zapewnić dostępność sieci na poziomie 99,999%, i są znane ze swojej niezawodności oraz wydajności w infrastrukturze łączy dosyłowych. To doskonałe rozwiązania dla najbardziej wymagających środowisk radiowych, w których poszczególne elementy infrastruktury bezprzewodowej znajdują się poza wzajemnym polem widzenia.

Nasze wszechstronne rozwiązania typu Point-to-Multipoint (PMP) działają w licencjonowanych, nielicencjonowanych i federalnych pasmach częstotliwości, umożliwiając tworzenie niezawodnych i bezpiecznych sieci dostępowych o atrakcyjnym współczynniku jakości do ceny. W sieciach na całym świecie wdrożono już ponad trzy miliony modułów naszej firmy, a nasze rozwiązania sieci dostępowych PMP sprawdzają się w codziennym użytkowaniu w budynkach mieszkalnych, infrastrukturze zastępującej łącza dzierżawione, systemach monitoringu oraz w inteligentnej infrastrukturze sieciowej.

Rozwiązania Cambium Networks są znane i doceniane w branży bezprzewodowych usług szerokopasmowych, gdzie cieszą się nieposzlakowaną opinią. Nasza firma projektuje, wdraża i dostarcza innowacyjne rozwiązania w zakresie łączności danych, głosu i wideo, które umożliwiają komunikację międzyludzką, rozwój społeczności i handlu na całym świecie.

Podręczniki dla użytkowników:

<http://www.cambiumnetworks.com/guides>

Szkolenia techniczne:

[http://www.cambiumnetworks.com/technical\\_training](http://www.cambiumnetworks.com/technical_training)

Witryna wsparcia technicznego:

<https://support.cambiumnetworks.com>

Witryna główna:

<http://www.cambiumnetworks.com>

Zapytania dotyczące sprzedaży prosimy kierować na adres:

[solutions@cambiumnetworks.com](mailto:solutions@cambiumnetworks.com)

Zapytania dotyczące problemów technicznych:

<https://support.cambiumnetworks.com>

Lista numerów telefonów:

<http://www.cambiumnetworks.com/contact-us/>

Adres:

Cambium Networks Limited,  
Linhay Business Park,  
Eastern Road,  
Ashburton,  
Devon, Wielka Brytania,  
TQ13 7UP

phn-4835 000v002

Grudzień 2018 r.



[www.cambiumnetworks.com](http://www.cambiumnetworks.com)

Cambium Networks i stylizowane okrągłe logo są znakami towarowymi Cambium Networks, Ltd. Wszystkie pozostałe znaki towarowe są własnością odpowiednich właścicieli.

© 2018 Cambium Networks Ltd. Wszelkie prawa zastrzeżone.

**Doğruluk**

Bu belgenin doğruluğunu temin etmek için makul çabalar harcanmış olsa da, Cambium Networks bu belgedeki hatalar ve ihmallerden veya işburadaki bilgilerin kullanımından kaynaklanan herhangi bir yükümlülük üstlenmez. Cambium Networks güvenilirlik, fonksiyon ya da tasarımı iyileştirmek için işburada açıklanmış olan tüm ürünlerde değişiklik yapma hakkını ve revizyon ve değişikliklerden kimseyi bilgilendirme yükümlülüğü olmaksızın bu belgeyi revize etme ve içerikte zaman zaman değişiklikler yapma hakkını saklı tutar. Cambium Networks uygulamadan ya da işburada tanımlanmış herhangi bir ürünün, yazılımın ya da devrenin kullanımından kaynaklanan herhangi bir yükümlülüğü üstlenmez; ayrıca patent haklarının ya da başkalarının hakları altında herhangi bir lisans iletmez. Bu yayının ülkenizde duyurulmamış Cambium Networks ürünleri (makinelere ve programlar), programlama ya da hizmetler hakkında referanslar ya da bilgiler içerebilmesi mümkündür. Bu tür referanslar ya da bilgiler Cambium Networks şirketinin bu tür Cambium Networks ürünlerini, programlarını ya da hizmetlerini ülkenizde duyurmayı düşündüğü anlamında yorumlanmamalıdır.

**Telif Hakları**

Bu belge, bu belgede açıklanmış Cambium Networks ürünlerinin ve 3. taraf yazılım ürünlerinin telif haklı Cambium Networks ve diğer 3. tarafça tedarik edilmiş olan bilgisayar programlarının yarı iletken bellekler ya da diğer medyalarda depolanmış halini içerebilir ya da açıklayabilir. Amerika Birleşik Devletleri ve diğer ülkelerdeki kanunlar Cambium Networks şirketini, münhasır kopyalama, herhangi bir biçimde çoğaltma ve telif haklı malzemeden türev işler üretmek dahil olmak üzere, telif haklı malzemeler için belirli münhasır haklar konusunda, bu şirketin lisans sahiplerini ve diğer Üçüncü Tarafça verilen yazılımları korur. Buna göre, Cambium Networks ürünlerinde bulunan Cambium Networks şirketine, bu şirketin lisans sahiplerine ve diğer Üçüncü Tarafça verilen yazılımlara ait iş bu dokümanda tanımlanmış olan tüm telif haklı malzemeler Cambium Networks şirketinin açık yazılı izni olmaksızın hiçbir şekilde kopyalanamaz, çoğaltılamaz, ters mühendisliği yapılamaz, dağıtılamaz, birleştirilemez ya da değiştirilemez. Ayrıca, Cambium Networks ürünlerinin satın alınması, bir ürünün satışından dolayı kanunun işleyişinden kaynaklanan normal, münhasır olmayan, telifsiz kullanma hakkı dışında, doğrudan ya da dolaylı olarak, itiraz hakkının düşmesi ya da başka bir şekilde Cambium Networks ya da diğer Üçüncü Tarafça verilen yazılımların telif hakları, patentleri ya da patent uygulamaları altındaki herhangi bir lisans hakkı vermiş sayılmaz.

**Sınırlamalar**

Yazılım ve dokümantasyonu telif haklı malzemelerdir. İzinsiz çoğaltılması kanunen yasaklanmıştır. Bu yazılımın ya da dokümantasyonun hiçbir kısmı Cambium Networks şirketinin öncesinde yazılı izni olmaksızın, hiçbir şekilde ya da hiçbir yolla çoğaltılamaz, gönderilemez, kopyası çıkartılamaz, bir erişim sisteminde saklanamaz ya da herhangi bir dile ya da bilgisayar diline çevrilemez.

**Lisans Sözleşmeleri**

Bu belgede tanımlanan yazılım Cambium Networks ve onun lisans sahiplerinin mülküdür. Sadece açık lisans sözleşmesiyle sağlanmış olup, sadece bu tür bir sözleşmenin şartlarına göre kullanılabilir.

**Yüksek Riskli Materyaller**

Cambium ve onun tedarikçileri, nükleer tesislerin, uçak navigasyon ya da uçak haberleşme sistemlerinin, hava trafik kontrol sistemlerinin, yaşam destek ya da silah sistemlerinin çalıştırılması ("Yüksek Riskli Kullanım") dahil, ancak bunlarla sınırlı olmamak üzere, herhangi bir yüksek riskli faaliyete ya da ürünlerinin kullanımına uygunluğuna ilişkin tüm açık ya da dolaylı garantiyi özellikle reddeder. Herhangi Yüksek Risk izinsizdir ve riski size aittir; herhangi bir Yüksek Riskli Kullanım'dan kaynaklanan tüm kayıplar, hasar ya da tazminat taleplerinden siz sorumlu olacaksınız.

## Uyarılar

### Bu Hızlı Başlangıç Kılavuzu Hakkında

Bu Hızlı Başlangıç Kılavuzu PTP 670 Serisi bağlantıları için konum ekipmanının nasıl kurulacağını açıklar. Bu kılavuzun kullanıcılarının dış mekan telsiz kurulumları için iyi uygulamaları yerine getirmeleri gerekir.

Daha gelişmiş konfigürasyonlarda, Dış Mekan Ünitesine (ODU) bağlı bir ya da iki ek Ethernet arayüzü olabilir: biri SFP bağlantı noktasına (bakır ya da optik) ve diğeri de AUX bağlantı noktasına. Bu konfigürasyonların ayrıntıları için PTP 670 Serisi Kullanım Kılavuzu'na bakın.

Bu Hızlı Başlangıç Kılavuzu PTP 670 ürününün aşağıdaki ülkelerde nasıl kurulacağını anlatır:

- İrlanda
- Norveç
- Birleşik Krallık (UK)

Diğer AB üyesi ülkeler için PTP 670 Hızlı Başlangıç Kılavuzları bulunmaktadır. Lütfen ziyaret edin:

<http://www.cambiumnetworks.com/guides>

### Kullanım amacı

Cambium Networks PTP 670 serisi telsiz ürünleri Noktadan Noktaya (PTP) mikrodalga hatları üzerinden veri gönderimini destekler. Bu telsiz ekipmanı sadece sabit dış mekan kurulumlarına yönelik profesyonel kullanım için tasarlanmıştır. Bu telsizlerin entegre antenli veya harici dış antene bağlı üniteli modelleri mevcuttur.

### AB'de Çalıştırma

#### Frekans Bantları, Maksimum Çalıştırma Gücü ve Güvenli Mesafe

PTP 670 serisi ürünler aşağıdaki frekans bantlarında gösterilen en yüksek güçte çalıştırılır:

Çalıştırma Frekans Bandı	AB Standardı	Maksimum Güç Sınırı (EIRP)	İzin Verilen Kullanım	Minimum Güvenli Mesafe
5470 - 5600 MHz 5650 - 5725 MHz	EN 301 893	1 watt/30 dBm	Unlicensed.	0 cm

### Kullanım izni kısıtlamaları ve gereklilikleri

Bu ekipman sadece dış mekan kullanımı içindir.

Cambium PTP 670 serisi ürünler, farklı ülkelerdeki frekans planlamasına bağlı olmak üzere, lisanslı ve lisanssız frekans bantlarında çalışacak şekilde yapılandırılabilir. Operatörler ve son kullanıcılar ekipmanın çalıştırma işleminin yapılacağı ülkede yürürlükte bulunan mevzuata göre kurulum ve çalıştırma işlemlerinin gerçekleştirilmesini sağlamalı ve gerekli lisans ya da izinleri almalıdır.

### Konektör fonksiyonlu ünite antenleri

PTP 670 Konektörlü Dış Mekan Üniteleri (ODU) dikey ve yatay polarizasyon kullanan çift kutuplu bir antene bağlanmak üzere tasarlanmıştır. Telsizler aşağıdaki anten türlerini kullanan AB mevzuatı uyumluluğu için test edilmiştir. Her bir anten türünün maksimum kazanımı aşağıda gösterilmektedir. Eşdeğer ya da daha düşük kazanımlı antenler ve aynı anten türleri kullanılabilir. Daha yüksek kazanımlı bir anten kullanmayın. Diğer kullanıcılarla ilgili potansiyel telsiz parazitini azaltmak için, anten türü ve kazanımı eşdeğer izotropik yayılım gücü (EIRP) başarılı bir haberleşme için gerekenden daha fazla olmayacak şekilde seçilmeli.

Anten Türü	Üreticinin Anten Kazanım (dBi)		
	4,9 GHz Bant, 5,1 GHz Bant	5,4 GHz Bant	5,8 GHz Bant
6 ayak (1,8 m) Parabolik Anten	36,0	Desteklenmez	38,1
4 ayak(foot) (1,2 m) Parabolik Anten	32,6	34,9	35,3
Düz Plaka	23,0	23,0	23,0
Dilimlenmiş	17,0	17,0	17,0
Çok Yönlü	13,0	13,0	13,0

## Önerilen parabolik çanak antenler

Aşağıdaki parabolik çanak antenler PTP 670 Konektörlü Dış Mekan Ünitelerinde (ODUs) kullanıma uygun olup, yukarıda gösterilmiş olan maksimum kazanıma tabidir.

Cambium parça numarası	Açıklama
RDH4503B	5,25-5,85GHz 2 ayak (0,6 m), 29,0 dBi, Çift Polarizasyon, H-Pol ve V-Pol, ince ayarlı
RDH4504B	5,25-5,85GHz 3 ayak (0,9 m), 32,5 dBi, Çift Polarizasyon, H-Pol ve V-Pol
RDH4505B	5,25-5,85GHz 4 ayak (1,2 m), 34,9 dBi, Çift Polarizasyon, H-Pol ve V-Pol
RDH4506B	5,25-5,85GHz 6 ayak (1,8 m), 37,9 dBi, Çift Polarizasyon, H-Pol ve V-Pol
RDH4508B	5,25-5,85GHz 2 ayak (0,6 m), 28,8 dBi, Yüksek Performanslı Çift Polarizasyon
RDH4509B	5,25-5,85GHz 3 ayak (0,9 m), 32,3 dBi, Yüksek Performanslı Çift Polarizasyon
RDH4510B	5,25-5,85GHz 4 ayak (1,2 m), 34,7 dBi, Yüksek Performanslı Çift Polarizasyon
RDH4511B	5,25-5,85GHz 6 ayak (1,8 m), 37,7 dBi, Yüksek Performanslı Çift Polarizasyon

## Dış Mekan Ünitesi (ODU) Konfigürasyonu

Kurulum sırasında lütfen aşağıdaki önemli talimatları uygulayın. Bu işlem, ekipmanın ulusal düzenleyici mevzuatlara uyumluluğunu sağlayacaktır.

- Dış Mekan Ünitesinde en son donanım yazılımı sürümünün yüklü olduğundan emin olun. Donanım yazılımı, Cambium Destek Merkezi web sitesinden temin edilebilir; bkz. aşağıdaki bağlantı.
- Ekipman kurulumu sırasında Dış Mekan Ünitesinin AB bölgesel varyantında/çeşidinde olduğunu doğrulayın. Ürünün çalıştırıldığı ülkeye uygun Lisans Anahtarı oluşturmak için Cambium Destek Merkezi'ni kullanın. Lisans Anahtarını Dış Mekan Ünitesine yükleyin. Lisans Anahtarı, çalıştırılan ülkede izin verilen mevzuata uygun ek bantların kilidini açacaktır.
- Konektörlü ünitelerde, anten kazanımını ve kablo kaybını web tabanlı arayüzün Sistem Konfigürasyonu sayfasındaki Anten Kazanımı ve Kablo Kaybı özelliklerine girin.

## Basitleştirilmiş AB Uygunluk Beyanı

İşbu beyan metniyle üretici Cambium Networks Ltd. şirketi, 5 GHz PTP 670 Connectorised ODU ve 5 GHz PTP 670 Integrated ODU telsiz ekipman türlerinin 2014/53/EU Yönergesiyle uyumlu olduğunu beyan eder. AB uygunluk beyanının tam metnine erişilebilecek internet adresi:

<http://www.cambiumnetworks.com/support/compliance/>

## Profesyonel kurulum

Bu ürünün kurulum ve çalıştırma işlemleri karmaşıktır. Lütfen bu broşürde yer alan talimatları uygulayın. Çalıştırma işleminin ürünün kurulu olduğu bölgedeki kurullarla uyumlu olduğundan emin olun. Kurulumu yapan kişilerin aşağıdakiler de dahil olmak üzere kurulum görevini gerçekleştirebilecek düzeyde yeterli bilgi, beceri ve deneyime sahip olmasını sağlayın:

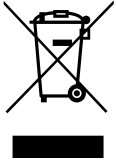
- Telsiz mevzuatı, elektrikli aletlerin kurulumu mevzuatı, aşırı gerilim koruma mevzuatı ve "yüksekte çalışma" mevzuatı da dahil olmak üzere yürürlükteki mevcut ulusal mevzuatlara aşına olmak;
- Kurulumu Cambium Networks talimatlarına göre gerçekleştirmek;
- Ekipman ayarlarının ulusal ya da bölgesel mevzuatlara uygun olduğunu onaylamak.

## Kullanıcı belgeleri

Tam PTP 670 kurulum planlaması talimatları ve bileşenler listesi için aşağıdaki adresten *PTP 670 Serisi Kullanım Kılavuzu* belgesini indirin:

<http://support.cambiumnetworks.com/files/ptp670>

## Atık Elektrikli ve Elektronik Ekipmanlar (WEEE)



Lütfen Elektronik ve Elektrikli Ekipmanları veya Elektronik ve Elektrikli Aksesuarları ev atıklarınızla birlikte atmayın. Bazı ülkelerde ya da bölgelerde elektrikli ve elektronik ekipman atıklarının yönetimi için toplama sistemleri kurulmuştur. Avrupa Birliği ülkeleri içerisinde, ülkenizdeki atık toplama sistemi hakkında bilgi için yerel ekipman tedarikçi temsilcinizle veya Cambium Networks Destek Merkeziyle iletişime geçin.

Kullanılmış ürünlerin atık yönetimi talimatları için bakılması gereken adres:

<http://www.cambiumnetworks.com/support/weee-compliance>

## Güvenlik



Uyarı Can kaybı ya da fiziksel yaralanmayı önlemek için aşağıdaki güvenlik kılavuzuna uyun. Cambium PTP 670 ürününün kurulumundan kaynaklanacak hiçbir yaralanma ya da hasardan hiçbir şekilde Cambium Networks sorumlu değildir. PTP 670 bağlantısını sadece nitelikli personelin kurmasını sağlayın.

## Enerji nakil hatları

Enerji nakil hatları yakınında çalışırken aşırı dikkatli olun.

## Yüksekte çalışma

Yüksek ortamlarda çalışırken aşırı dikkatli olun.

## Güç Kaynağı Ünitesi (PSU)

Dış Mekan Ünitesine güç vermek için her zaman AC Güç Enjektörünü ya da AC+DC Gelişmiş Güç Enjektörünü kullanın. Cambium tarafından tedarik edilen Güç Kaynağı Ünitesinin (PSU) kullanılmaması ekipman hasarına ve güvenlik tehlikesine neden olabilir, güvenlik sertifikasını geçersiz kılar ve güvenlik tehlikesine neden olabilir.

## Topraklama ve koruyucu topraklama

Dış Mekan Ünitesi (ODU) yıldırım düşmesine karşı düzgün şekilde topraklanmalıdır. Ekipmanın ulusal mevzuatlara uygun şekilde kurulması kullanıcının sorumluluğundadır. ABD'de NFPA 70-2005 Ulusal Elektrik Kanunu ve ve 780-2004 Yıldırımdan Koruma Sistemleri Kurulumu gerekliliklerini uygulayın. Kanada'da, Kanada Elektrik Kanunu

54. Bölüm'ü uygulayın. Bu kanunlar, dış mekan ünitesinin topraklama, direk, giriş kablosu ve boşaltım ünitesi, topraklama paratonerlerinin boyutu ve topraklama elektrotları bağlantı gereklilikleri için doğru kurulum prosedürlerini anlatmaktadır. Farklı ülkelerde diğer mevzuatlar geçerli olup, dış mekan ünitesinin kurulum işinin profesyonel kurulum işlemi yapan bir kişiye verilmesi önerilir.

## DC kaynağı

Dış Mekan Ünitesine bir DC kaynağından güç vermek için, AC+DC gelişmiş güç enjektörünü (PSU) (Cambium parça numarası C000065L002C) kullanın. DC güç kaynağının *PTP 670 Serisi Kullanım Kılavuzu*'nda belirtilen gereklilikler uygun olmasını sağlayın.

## Servis bakımı öncesi gücü kapatma

PTP 670 ekipmanının servis bakımını yapmadan önce, her zaman güç kaynağını kapatın ve Güç Kaynağı Ünitesini (PSU) fişten çekin. Güç Kaynağı Ünitesini (PSU) bir güç kaynağına bağlıyken, RJ45 saplama kablosunun konektörlerinin Dış Mekan Ünitesiyle bağlantısını kesmeyin. Daima AC ya da DC giriş gücünü Güç Kaynağı Ünitesinden çıkarın.

## Birincil devre kesme cihazı

Ana güç kaynağı birincil devre kesme cihazıdır. AC-DC gelişmiş güç enjektörü DC girişinden sigortalıdır. Bazı kurulumlar DC kaynağına ayrıca ek devre kesici ya da yalıtım anahtarı takılmasını gerektirecek.

## Harici kablolar

Dış mekan ortamına maruz kalacak bağlantılar için dış mekana uygun kablolar kullanılmaması halinde güvenlik konusu riske atılmış olabilir. Dış mekan bakır Cat5e Ethernet arayüzlerinde, daima jel dolgululu ve bakır kaplamalı zırlımalı çelik Cat5e kablosu kullanın. Saplama kablosunun alternatif türleri PTP 670 ekipmanında kullanım için Cambium Networks tarafından desteklenmemektedir.

AC kablolama tesisatı kurulumu için daima nitelikli bir elektrikçi kullanın.

## Saplama kablosu test aleti

Saplama kablosu test aleti ASLA Güç Kaynağı Ünitesinden güç kaynağına bağlı Dış Mekan Ünitesi ucunda kullanılmamalıdır. Sadece direğin altında bir multimetreyle kullanılmalıdır. Çünkü Güç Kaynağı Ünitesi voltajı bazı ülkelerde ıslak koşullarda güvenli çalışma için izin verilen sınırı aşar ve bu nedenle güvenlik tehlikesi oluşturabilir.

## Anten yakınında Radyo Frekansına (RF) maruz kalma

Verici açık durumdayken anten yakınında güçlü radyo frekansı (RF) alanları bulunacaktır. Anten önünde bakım faaliyetleri gerçekleştirilmeden önce daima Dış Mekan Ünitesine (ODU) gelen gücü kapatın.

## Minimum ayırım mesafeleri

Personelin güvenli olmayan seviyelerdeki RF enerjisine maruz kalmadığından emin olun. Üniteler güç verildikten hemen sonra RF enerjisi yaymaya başlar. Dış Mekan Ünitesi çalışır durumdayken, asla antenin önünde çalışmayın. Dış Mekan Ünitesini tüm insanlardan minimum ayırım mesafesini sağlayacak ve koruyacak şekilde kurun.

## Topraklama ve yıldırımdan koruma gereklilikleri

Kurulumun *PTP 670 serisi Kullanım Kılavuzu*'nda tanımlanmış gerekliliklere uygun olmasını sağlayın.

## Topraklama kablosu kurulum yöntemleri

Yıldırım düşmesinden kaynaklan aşırı akımlara karşı etkili koruma sağlamak için şu gerekliliklere uyun:

- Topraklama iletkeni döşemeleri kısa, düz ve bükülme ve kıvrımlar minimum seviyede olacak şekilde, mümkün olduğu kadar düzgün olmalı.
- Topraklama kabloları damlama döngülü kurulmamalı.

- Tüm bükülmelerin minimum 203 mm (8 inç) yarı çapı ve 90° derece minimum açısı olmalı. Hatlarını takip etmese de veya taşıyıcı yapıya paralel döşenmiş olmasa da, çapraz döşeme bükülmeye tercih edilir.
- Tüm bükülmeler, kıvrımlar ve bağlantılar topraklama elektrot sistemi, topraklama çubuğu ya da topraklama barına doğru yönlendirilmeli.
- Topraklama iletkenleri sağlam şekilde bağlanmalı.
- Örgülü topraklama iletkenleri kullanılmamalı.
- Benzemez metallerin bağlantısı için onaylanmış olan bağlama tekniklerini kullanın.

## Dış Mekan Ünitelerini ve antenleri konumlandırma

Dış Mekan Üniteleri ve harici antenler doğrudan yıldırım çarpmasında sağlam kalacak şekilde tasarlanmamıştır. Bu nedenle PTP 670 Serisi Kullanım Kılavuzu'nda tanımlanmış B Bölgesi'nde kurulmalıdır. A Bölgesi'nde montaj ekipmanı, yapıları ve insanları riske atar.

## Rüzgara dayanıklılık hızları

Dış Mekan Ünitesinin ve monte edildiği yapının önerilen sahadaki maksimum rüzgar hızlarına dayanabilecek kapasitede olduğundan emin olun.

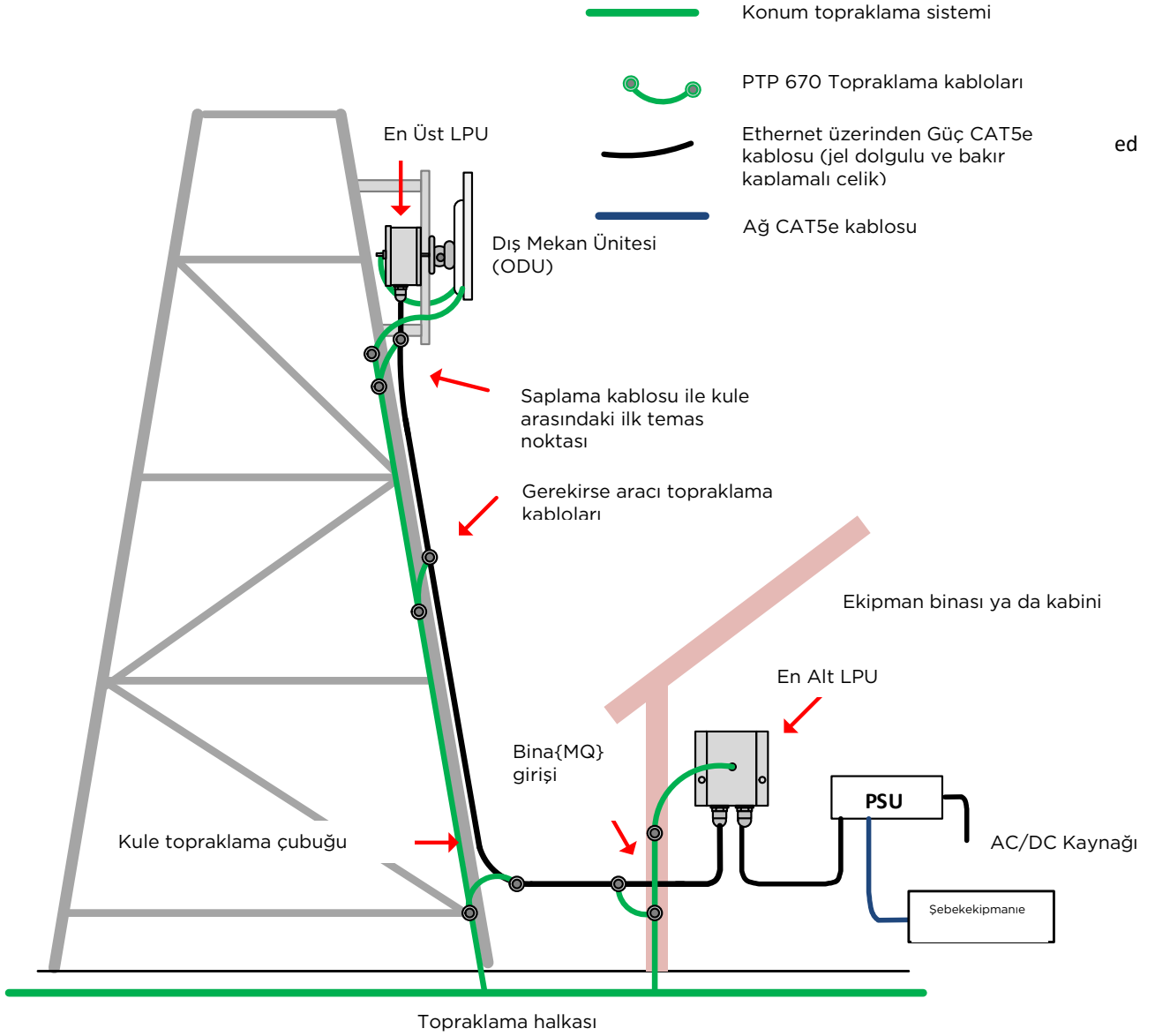
## Yüzey sıcaklığı

Çalıştırma sırasında ODU mahfazası dokunulamayacak düzeyde sıcak olabilir.

## Ekipman üreticisi

Cambium Networks Ltd., Unit B2 Linhay Business Park, Eastern Road, Ashburton, Devon, TQ13 7UP, Birleşik Krallık.

## Tipik kurulumlar



Bir PTP 670 konumu tipik olarak, dış mekan ekipmanı (Dış Mekan Ünitesi ve opsiyonel harici anten) için direk, kule ya da bina gibi yüksek taşıyıcı yapı ve, burada tipik bir direk ya da kule kurulumunda gösterildiği gibi, iç mekan ekipmanı (PSU) için ekipman binası ya da neme dayanıklı mahfazadan oluşur.



Not Bu talimatlar Paratoner Ünitelerinin (LPUs) Paratoner Ünitesi (LPU) ve topraklama setinden kurulduğunu varsayar (Cambium parça numarası C000065L007A). Kurulum Paratoner Üniteleri (LPUs) özelliğini gerektirmiyorsa, bu talimatları uygun olduğu şekilde uyarlayın.

Paratoner Üniteleri (LPUs) kurulurken, Paratoner Ünitesi ve topraklama setinde verilen beş siyah kapakçıklı Elektro Manyetik Uyumluluk (EMC) kablo rakorlarını kullanın. Dış Mekan Ünitesi setlerinde verilen gümüş kapakçıklı kablo rakorları sadece Paratoner Ünitesi (LPU) gerektirmeyen PTP 670 kurulumlarında kullanılmalıdır.



## Dış Mekan Ünitesi çeşitleri ve montaj dirseği seçenekleri

### Dış Mekan Ünitesi çeşitleri

PTP 670 Dış Mekan Ünitesi iki platform çeşidiyle verilir.

PTP 670 Entegre Dış Mekan Ünitesi 23 dBi düz plakalı antene takılıdır ve orta ila uzun menzilli zorlu bağlantıları ile yüksek kapasite ve yüksek bağlantı bütçesi gerektiren geleneksel geri veri aktarımı gereklilikleri için tasarlanmıştır. Entegre anten harici anten ek kazanımına ihtiyaç duyulmayan, kullanışlı, kolay kurulabilen bir çözüm sunmaktadır.

#### Entegre Dış Mekan Ünitesi (4,8 ila 5,9 GHz)



#### Entegre Dış Mekan Ünitesi (4,9 ila 6,05 GHz)



PTP 670 Konektörlü Dış Mekan Ünitesi ayrı monte edilmiş harici antenlerle çalışmak üzere tasarlanmıştır. Genellikle harici antenlerin dahili antenlere göre daha yüksek kazanımları olup, PTP 670 ekipmanının daha zorlu telsiz koşullarıyla başa çıkmasını sağlar.



### Montaj dirseği seçenekleri

PTP 670 serisi üç montaj dirseği seçeneğini destekler. Direk çapına ve Dış Mekan Ünitesi çeşidine göre optimum montaj dirseği düzenlemesini seçin:

Dirsek	Direk çapı	Dış Mekan Ünitesi çeşitleri	Dirsek parça numarası
Eğim Dirsek Tertibatı	40 mm ila 77 mm (1.6 inç s ila 3.0 inç)	PTP 670 Entegre PTP 670 Konektörlü	N000045L002A
Eğim Dirsek Tertibatı, sıkıştırma kemerleri ile	90 mm ila 230 mm (3.6 inç ila 9.0 inç)	PTP 670 Entegre PTP 670 Konektörlü	N000045L002A + üçüncü{MQ} taraf bant kelepçeleri
Montaj Dirseği (Entegre)	40 mm ila 82 mm (1.6 inç ila 3.2 inç)	PTP 670 Entegre	N000065L031A



Not Eğim Dirsek Tertibatı, PTP 670 Entegre ve Konektörlü Setlerin bir parçası olarak dahil edilmiştir. Gerekirse, Montaj Dirseğini (Entegre) ayrıca sipariş edin.

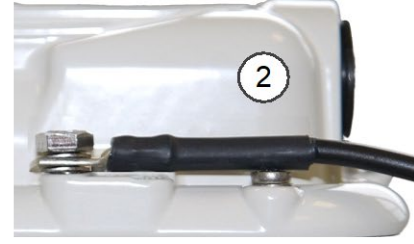


Not Eğim Dirsek Tertibatı, Entegre Dış Mekan Ünitesi yükseltme açısının -17 ° ile +26 ° arasında yapılabilmesini sağlar. Montaj Dirseği (Entegre) yükseltme açısının -26° ile +41° arasında yapılabilmesini sağlar.

## Dış Mekan Ünitesi (ODU) ve en üst Paratoner Ünitesi (LPU) Kurulumu

### Topraklama kablolarını Dış Mekan Ünitesine takın

- 1 M6 (küçük) kulpları/pabuçları kullanarak her bir Dış Mekan Ünitesi topraklama noktasına bir topraklama kablosu bağlayın: bir tanesi en üstteki Paratoner Ünitesi (LPU) için (M6 kulp/pabuç diğer uçta) ve diğer kule ya da bina için (M10 kulp diğer uçta). Hangi kablonun hangi Dış Mekan Ünitesi topraklama noktasına takıldığının bir önemi yoktur.
- 2 Her iki Dış Mekan Ünitesi topraklama cıvatasını 5,0 Nm (3,7 lb fit) tork değerine kadar sıkın.



### Dış Mekan Ünitesi direğe monte etme

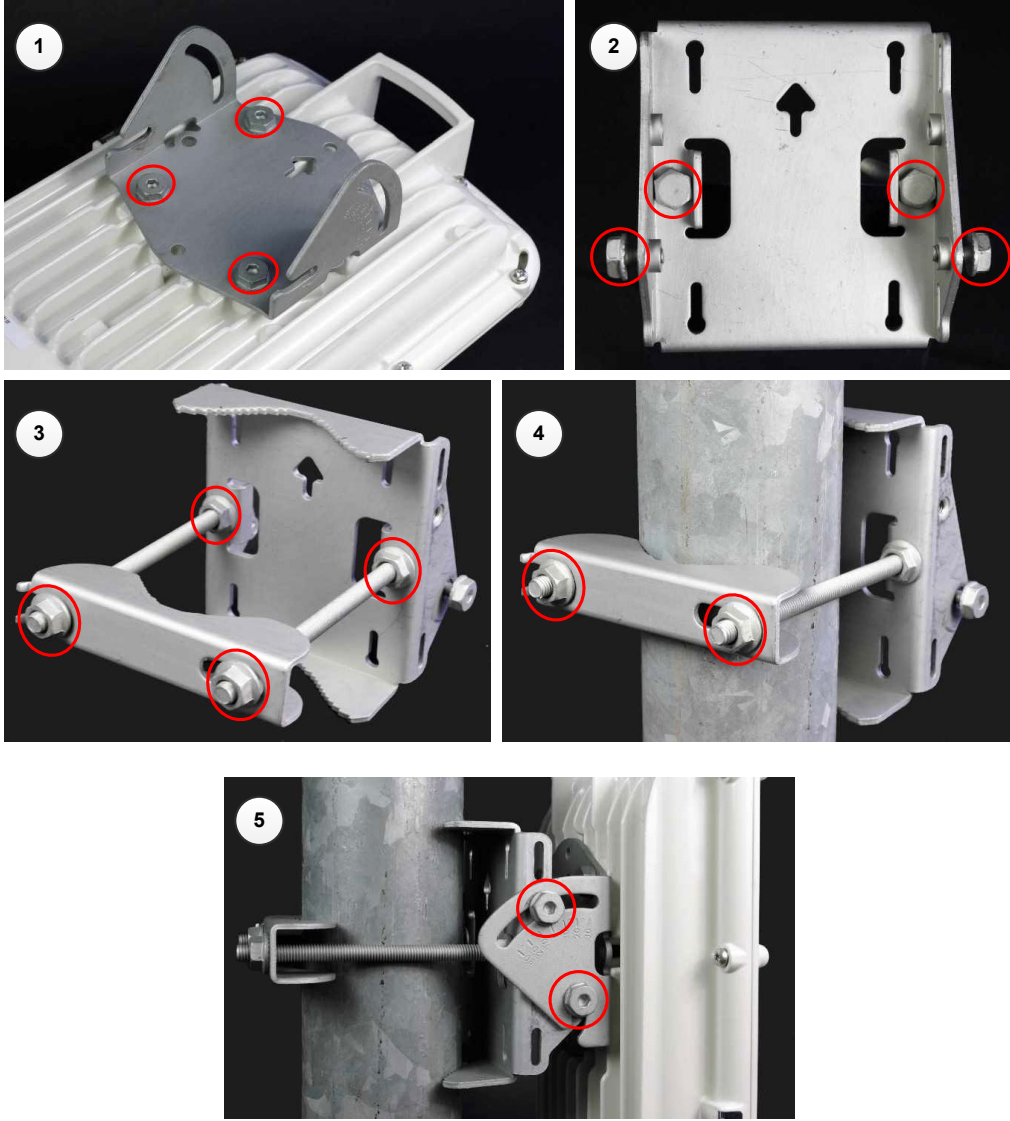
179. sayfada bulunan Montaj dirseği seçenekleri listesinde en uygun dirsek montaj seçeneğini seçin. Seçeneklerin her biri için aşağıdaki prosedürlere ayrı ayrı bakın:

- Eğim Dirsek Tertibatı sayfa 180
- Eğim Dirsek Tertibatı, bant kelepçeli sayfa 181
- Montaj Dirseği (Entegre) sayfa 182

Montaj prosedürleri Dış Mekan Ünitesini uygun bir yatay direğe takmak üzere de uyarlanabilir, ancak azimuth açısının ayarlanması dikey direğe kurulumuyla karşılaştırıldığında daha sınırlıdır.

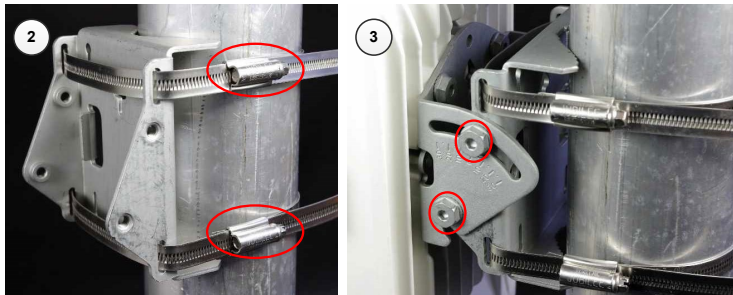
### Eğim Dirsek Tertibatı

- 1 Eğim Dirseğinin montaj plakasını Dış Mekan Ünitesinin arkasına dört kısa cıvatayla sabitleyin, plakadaki ok işaretinin Dış Mekan Ünitesinin üst kısmını göstermesini sağlayın. Dört cıvatayı {MQ}5,0 Nm (3,7 lb fit) tork değerine kadar 13 mm'lik İngiliz anahtarıyla veya lokma ucuyla sıkın.
- 2 İki uzun cıvatayı dirsek gövdesinden geçirerek takın; böylece cıvata başları gösterildiği gibi yuvalara geçsin. İki kısa cıvatayı dirsek gövdesinin yanlarına takın, ancak sıkmayın.
- 3 Somunlardan iki tanesini uzun cıvatalara döndürerek takın ve dirsek gövdesine doğru 13 mm'lik İngiliz anahtarıyla sıkın. Dirsek kemerini takın ve kalan somunları da uzun cıvatalara döndürerek takın.
- 4 Monte edilmiş dirsek gövdesini direğe sabitleyin, azimuth açısını ayarlayın ve somunları 10,0 Nm (7,4 lb fit) ayarına 13 mm'lik İngiliz anahtarıyla sıkın; gövdedeki ok işaretinin yukarıyı göstermesini sağlayın.
- 5 Dış Mekan Ünitesini montaj pozisyonuna kaldırın. Montaj plakasını açık uçlu yuvalar kısa cıvataların üzerine gelecek şekilde dirsek gövdesine takın. Kalan kısa cıvataları uzun kıvrımlı yuvalardan geçirerek dirsek gövdesindeki dişli deliklere geçirin. Yükseltme açısını ayarlayın ve cıvataları 8,0 Nm (5,9 lb fit) tork değerine kadar 13 mm'lik İngiliz anahtarıyla veya lokma ucuyla sıkın.



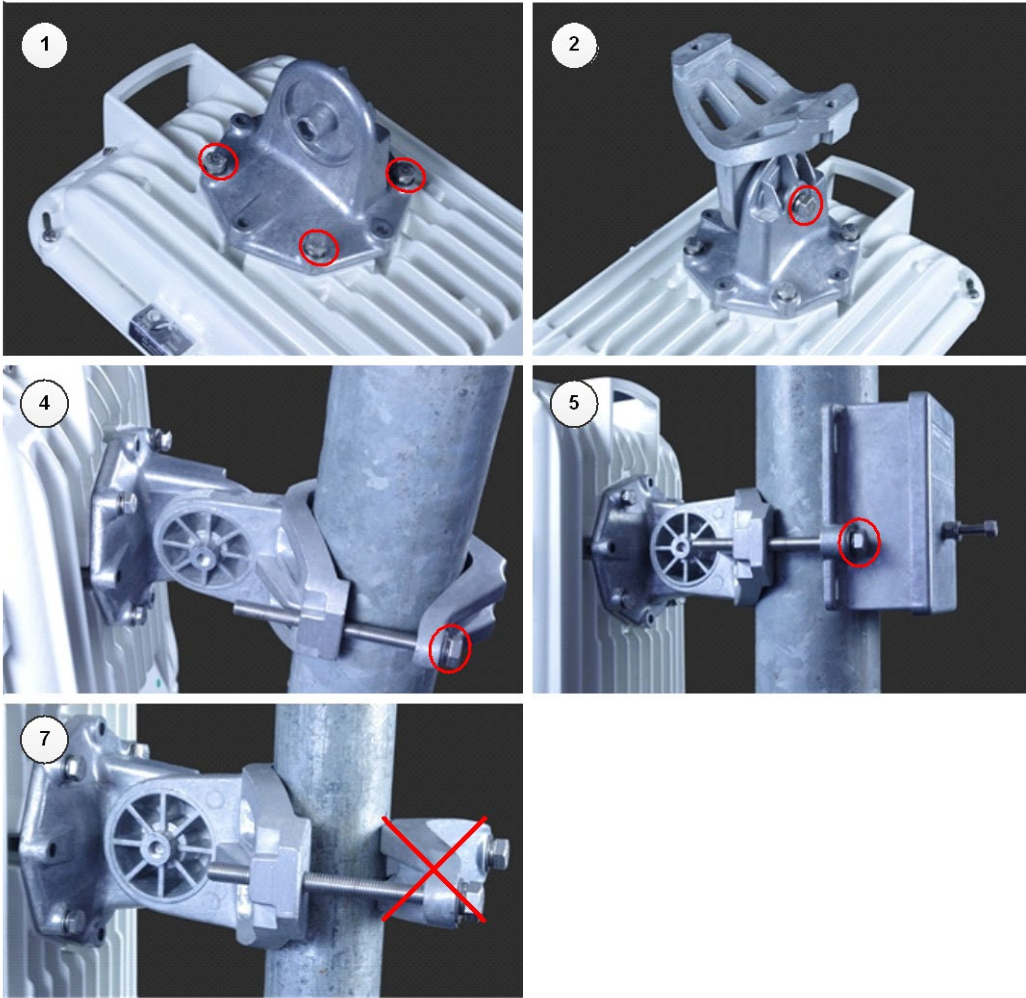
### Eğim Dirsek Tertibatı, bant kelepçeli

- 1 Yukarıdaki Eğim Dirsek Tertibatı prosedürü için 1. Adım'ı uygulayın.
- 2 Bant kelepçelerini (Cambium tarafından tedarik edilmez) dirsek gövdesindeki yuvalardan geçirerek ilerletin. Bant kelepçelerini kullanarak dirsek gövdesini direkteki yerine sağlamlaştırın, gövdedeki ok işaretinin yukarıyı göstermesini sağlayın. Azimuth açısını ayarlayın ve bant kelepçeleri 6,0 Nm (4,5 lb fit) tork değerine kadar sıkın.
- 3 Dış Mekan Ünitesini montaj pozisyonuna kaldırın. Montaj plakasını dört kısa civatayla 13 mm'lik İngiliz anahtarı veya lokma ucunu kullanarak dirsek gövdesine sabitleyin. Yükseltme açısını ayarlayın ve civataları 8,0 Nm (5,9 lb fit) tork değerine kadar sıkın.



## Montaj dirseği (Entegre)

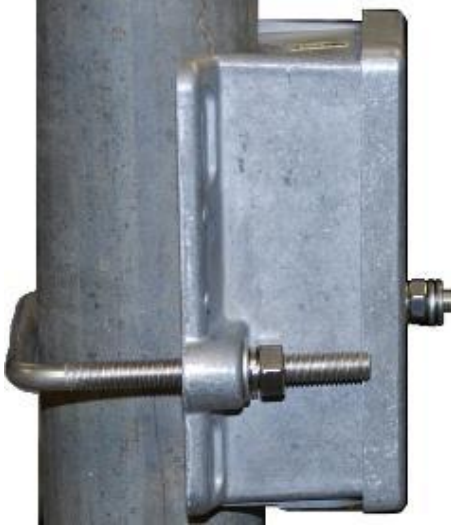
- 1 Montaj plakasını birlikte verilen dört kısa cıvata, yaylı ve düz rondelayla Dış Mekan Ünitesinin arkasına {MQ} sabitleyin. Yaylı rondelanın cıvata başıyla düz rondela arasında olmasını sağlayın. Cıvataları 5,0 Nm (3,7 lb fit) tork değerine kadar sıkın.
- 2 Dirsek gövdesini M8 cıvata, yaylı ve düz rondelayı kullanarak montaj plakasına takın. Yaylı rondelanın cıvata başıyla düz rondela arasında olmasını sağlayın.
- 3 Dış Mekan Ünitesini montaj pozisyonuna kaldırın.
- 4 Dirsek gövdesini dirsek kelepçesi, M8 cıvata, yaylı ve düz rondelayı kullanarak direğe takın. Yaylı rondelanın cıvata başıyla düz rondela arasında olmasını sağlayın. Sirt sırta montaj için kelepçe yerine Paratoner Ünitesi (LPU) kullanın.
- 5 Görsel hizalamayı sağlamak için yükseltme ve azimuth açısını ayarlayın. Üç dirsek cıvatasının hepsini 8,0 Nm (6,0 lb fit) tork değerine kadar sıkın.



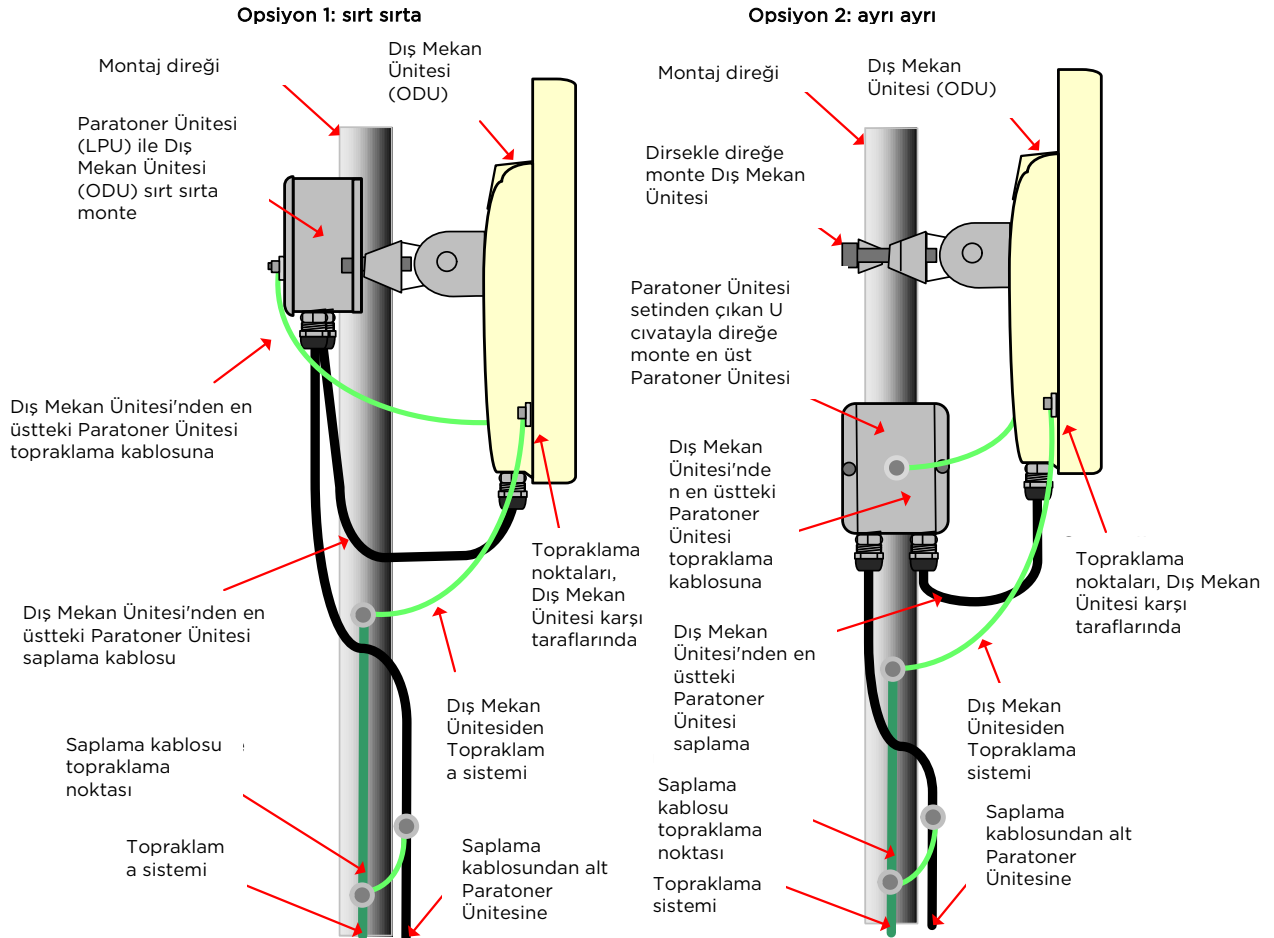
Dikkat Dirsek kelepçesini 7 numarada gösterildiği gibi tersine çevirmeyin, bu durum tertibatta arızaya yol açabilir. Hatalı montaja neden olabileceğinden cıvataları aşırı sıkmayın.

## En Üstteki Paratoner Ünitesini Monte Etme

Ayrı Paratoner Ünitesi (LPU) montajında, en üstteki Paratoner Ünitesini Dış Mekan Ünitesinin altında direğe monte etmek için Paratoner Ünitesi (LPU) setindeki U cıvatalı dirseği kullanın. 7,0 Nm (5,2 lb fit) tork değerine kadar sıkın.



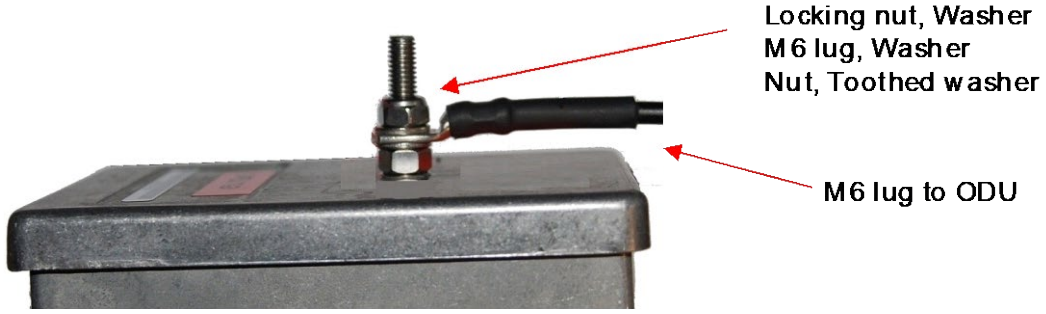
## Dış Mekan Ünitesi ve Paratoner Ünitesini birbirine bağlama ve topraklama





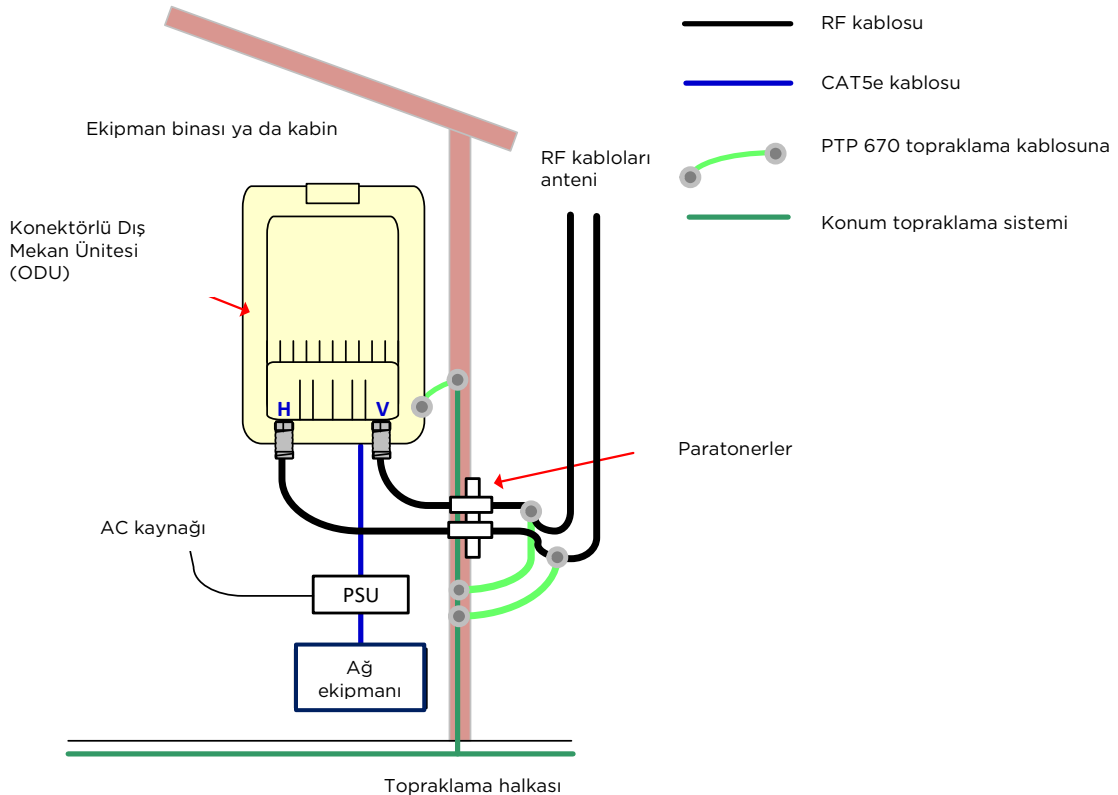
Dikkat Bu düzenleme tam koruma sağlamayacağından, topraklama kablolarını Dış Mekan Ünitesine takmayın.

- 1 M6 (küçük) kulpu kullanarak Dış Mekan Ünitesi topraklama kablosunu en üstteki Paratoner Ünitesine bağlayın. Her iki somunu {MQ}5 Nm (3,7 lb fit) tork değerine kadar sıkın:

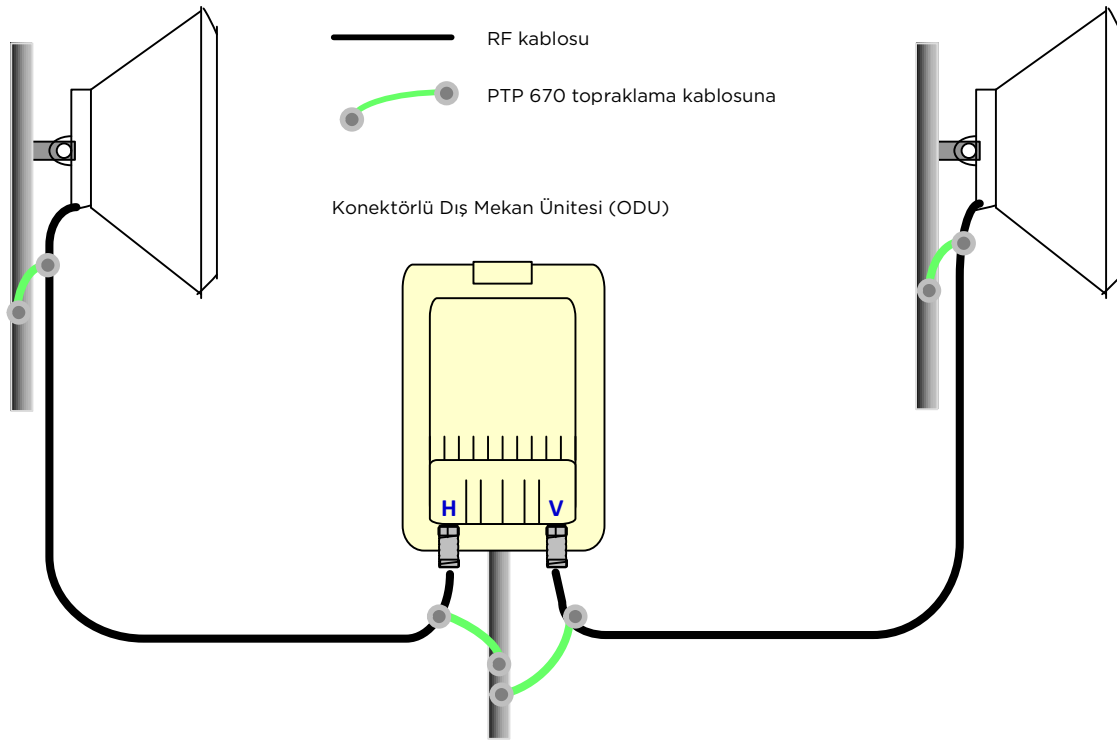


- 2 Dış Mekan Ünitesi kelepçesinin 0,3 metre (1 fit) yakınında bir kule veya bina topraklama noktası seçin. Yüzeyden boyayı sıyırıp çıkarın ve pas önleyici bileşimi uygulayın. M10 (büyük) kulpu kullanarak Dış Mekan Ünitesi topraklama kablosunu bu noktaya bağlayın.
- 3 Yerel mevzuat tüm cihazlar için bağımsız topraklamayı şart koşuyorsa, en üstteki Paratoner Ünitesini topraklama sistemine bağlamak için üçüncü bir topraklama kablosu ekleyin.

## Konektörlü Dış Mekan Ünitesi için harici antenleri kurma



- 1 Anten(ler)i üretici talimatlarına göre monte edin. Konumsal çeşitlilik sağlamak için ayrı antenler kullanırsanız, birini Yatay polarizasyonda ve diğerini de Dikey polarizasyonda monte edin.
- 2 Dış Mekan Ünitesinin V ve H arayüzlerini CNT-400 tipi (Cambium parça numarası 30010194001 ve 30010195001) ile N tipi konektörlü (Cambium parça numarası 09010091001) RF kablosu olan antenlere bağlayın. N tipi konektörleri 24 mm (0,9 inç) somun anahtarı/İngiliz anahtarı kullanarak 1,7 Nm (1,3 lb fit) tork değerine kadar sıkın.
- 3 Dış Mekan Ünitesi iç mekanda monte edilirse, paratonerleri bina giriş noktasına kurun:
- 4 Anten kablolarının alt uçların yakın yerlerde damlama döngüleri oluşturun. Bunlar suyun konektörlere doğru kanalize olmasını önler.
- 5 Dış Mekan Ünitesi dış mekanda monte edilirse, PVC bant ve kendiliğinden kaynaşan bant kullanarak N tipi konektörleri (anten hizalaması tamamlandıktan sonra) hava şartlarına dayanıklı hale getirin.
- 6 Anten konektörlerini (anten üreticisi farklı bir yöntem belirtmediği sürece) aynı şekilde hava şartlarına dayanıklı hale getirin.
- 7 Anten kablolarını Cambium topraklama setini (parça numarası 01010419001) kullanarak Dış Mekan Ünitesine ve antenlere 0,3 metre (1 ayak) mesafesindeki taşıyıcı yapıyla topraklayın:



- 8 Anten kablolarını konum onaylı yöntemleri kullanan taşıyıcı yapılara takın. Dış Mekan Ünitesi ya da anten konektörleri üzerinde gereksiz gerginlik olmamasını sağlayın. Sallanan kablolar taşıyıcı yapıya hasar vermeye ve istenmeyen titreşimlere neden olabileceğinden, kabloların rüzgarda sallanmamasını sağlayın.



## Bakır Cat5e Ethernet arayüzünün kurulması

Bakır Cat5e Ethernet arayüzünün kurulması için aşağıdaki prosedürleri kullanın:

- Dış Mekan Ünitesi'nden en üstteki Paratoner Ünitesi saplama kablosu takma sayfa 186
- Ana saplama kablosunu takma sayfa 188
- En alt Paratoner Ünitesinden Güç Kaynağı Ünitesine saplama kablosuna takma sayfa 190
- Saplama kablosundaki direnci test etme sayfa 191



Dikkat Kurulumda hasarı önlemek için, Güç Kaynağı Ünitesine ya da ağ sonlandırıcı ekipmana güç uygulanmışken, saplama kablosunu bağlamayın ya da bağlantısını kesmeyin.



Dikkat Ekipmana hasar verebileceğinden SFP ya da Aux saplama kablolarını PSU'ya bağlamayın.



Dikkat Daima jel dolgulu ve bakır kaplamalı çelikli Cat5e kablosu kullanın. Cat5e kablosunun alternatif türleri Cambium Networks tarafından desteklenmez. Cambium Networks bu kabloyu (Cambium parça numarası WB3175 ve WB3176), RJ45 konektörleri (Cambium parça numarası WB3177) ve sıkma aletini (Cambium parça numarası WB3211) ürünle birlikte verir. Paratoner Ünitesi (LPU) ve topraklama seti{MQ}bu kablodan 0,6 metre (2 ayak) içerir.

## Dış Mekan Ünitesi'ni en üstteki Paratoner Ünitesi saplama kablosuna takma

### Rakorları Dış Mekan Ünitesi ve en üstteki Paratoner Ünitesi saplama kablosuna takın

Elektro Manyetik Uyumluluk (EMC) gerginlik azaltma kablo rakorlarını (siyah kapakçıklı) 0,6 metre (2 ayak) uzunluğundaki önceden sonlandırılmış kablounun iki ucuna takın. Bu parçalar Paratoner Ünitesi ve topraklama setiyle verilmektedir.

- 1 Rakoru sökün ve her bir parçayı kabloya döndürerek takın (lastik tapa bölme noktasıdır). Yaylı klipsi{MQ} ve lastik tapayı monte edin:



- 2 Parçaları gövdeye takın ve 24 mm (0,9 inç) somun anahtarı/İngiliz anahtarı kullanarak rakor somunu üzerindeki vidayı hafifçe döndürün ({MQ}sıkı hale getirmeyin):



## Saplama kablosunu Dış Mekan Ünitesi (PSU bağlantı noktasına) ve Paratoner Ünitesine bağlama

- 1 (a) RJ45 konektörünü üniteye takın, yuvasına tam oturmasını sağlayın.  
(b) Rakor gövdesini RJ45 bağlantı noktasına takın ve 5,5 Nm (4,1 lb fit) tork değerine kadar sıkın:

(a)



(b)



- 2 (a) Rakor somununu takın ve kablo üzerindeki lastik conta kapanana kadar sıkın.  
(b) İç bileşenlere hasar verme riski olduğundan, rakor somununu aşırı sıkmayın:

(a)



(b)

Doğru



Hatalı



## Saplama kablosunun Paratoner Ünitesi ve Dış Mekan Ünitesiyle bağlantısını kesme

Bu prosedürü Elektro Manyetik Uyumluluk (EMC) gerginlik azaltma kablo rakoru ve RJ45 konektörünün Dış Mekan Ünitesi (gösterildiği şekilde) ya da Paratoner Ünitesinden sökülmesi gerekiyorsa kullanın.

- 1 (a) Rakor somununun sökün. Rakor gövdesinin gerginliğini azaltmak için saplama kablosunu biraz oynatın. Rakor gövdesindeki {MQ} gerginlik giderildiğinde, gösterilen noktada bir boşluk açılır.
- (b) Rakor gövdesini vidalarını sökerek açın. RJ45 kilit diline küçük bir tornavida kullanarak bastırın, ardından RJ45 konektörünü sökün.

(a)



(b)



## Ana saplama kablosunu takma

Uyarı Saplama kablosunun metal zırlama eleği çok keskin olup kişisel yaralanmaya neden olabilir.



- DAİMA kesmeye dayanıklı eldiven takın (kesmeye dayanıklı olduklarından emin olmak için etiketini kontrol edin).
- DAİMA gözleri koruyucu aksesuar takın.
- Kabloları sıyırmak için DAİMA döner bıçaklı alet kullanın (normal keskin bıçak KULLANMAYIN).

Uyarı Aşağıdaki önlemlere uyulmaması yaralanma ya da ölüme neden olabilir:



- Kablonun takılabilmesi için düzgün kaldırma tutucu ekipmanı kullanın. Yanlış kaldırma tutucu kullanılırsa, kaymaya ya da yetersiz kavrama gücüne neden olacaktır.
- Kaldırma tutucuları yeniden kullanmayın. Kullanılmış tutucuların esneklikleri kaybolmuş, gerilmiş ya da zayıflamış olabilir. Tutucunun yeniden kullanılması kablunun kaymasına, kopmasına ya da düşmesine neden olabilir.
- Minimum gereksinim her 60 m (197 fit) kablo için bir kaldırma tutucu kullanılmasıdır.

## Uzunluğa göre kesme ve kaldırma tutuculara takma

- 1 Ana saplama kablosunu en üst Paratoner Ünitesinden en alttaki Paratoner Ünitesine olan uzunluğa göre kesin.
- 2 Saplama kablosunun üst ucuna bir ya da daha fazla kaldırma tutucu kaydırın.

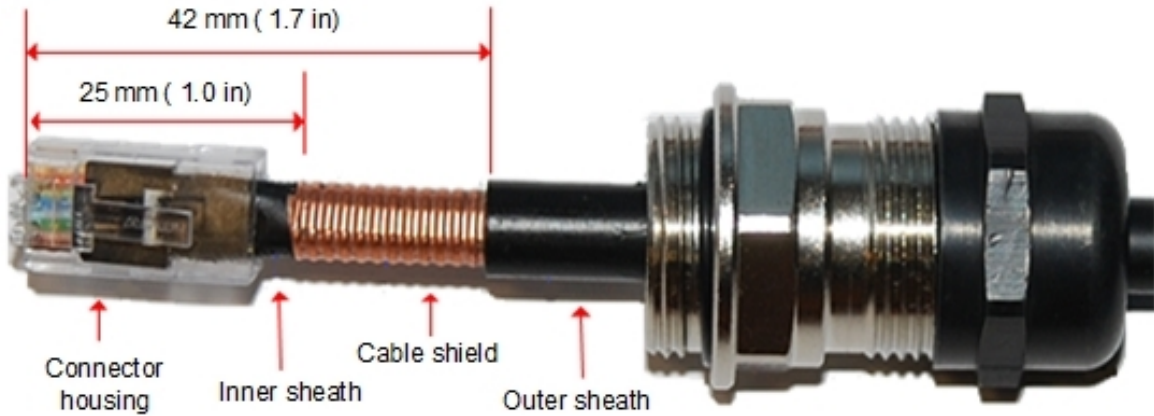
- 3 Üretici tarafından önerildiği şekilde özel bir aletle kaldırma tutucuyu kabloya sağlamca tutturun.

## RJ45 konektörleri ve rakorlarla sonlandırma



**Dikkat** Sıkma aletinin RJ45 konektörüyle eşleşip eşleşmediğini kontrol edin, aksi halde kablo ya da konektör hasar görebilir.

- 1 Kablo rakorunu (siyah kapakçıklı) ana saplama kablosuna döndürerek takın.
- 2 Kablonun dış kılıfını sıyırın ve RJ45 konektör yükleme çubuğunu takın.
- 3 RJ45 konektörü yuvasını gösterildiği şekilde takın. Etkili gerginlik azaltma olmasını sağlamak için konektör yuvası sapının altındaki kablo iç kılıfını bulun. Rakor somununu sıkmayın.



## Ana saplama kablosunu kaldırma ve takma



Uyarı Aşağıdaki önlemlere uyulmaması yaralanma ya da ölüme neden olabilir:

- Kaldırma tutucuyu sadece bir kablo kaldırmak için kullanın.
- Kelepçe sağlam şekilde yerinde takılı olmadığı sürece, kablo indirmek için kaldırma tutucuyu kullanmayın.
- Kaldırma işlemi sırasında kaldırma tutucunun gerginliğini koruyun. Gerginlik kaybı kablunun tehlikeli şekilde hareket etmesini ve personelde kaza ya da ölüme neden olabilir.
- Tutucu sapı taşıyıcı yapıya bağlanana kadar tutucudaki gerginliği gevşetmeyin.
- RJ45 konektörlere herhangi bir gerginlik uygulamayın.



**Dikkat** Saplama kablosunu yıldırım hava terminalinin yanına yerleştirmeyin.

- 1 Ana saplama kablosunun üst ucunu kaldırıcı üreticisinin talimatlarına uygun şekilde en üstteki Paratoner Ünitesine kadar kaldırın. Kablo uygun yerine geldiğinde, tutucu sapını taşıyıcı yapıya bağlayın ve kaldırma hattını sökün.
- 2 Ana saplama kablosunu en üstteki Paratoner Ünitesine aşağıdaki prosedüre göre bağlayın Saplama kablosunu Dış Mekan Ünitesine ve Paratoner Ünitesi bağlama sayfa 18.
- 3 Ana saplama kablosunu en alttaki Paratoner Ünitesi konumuna kadar döşeyin.

- 4 Ana saplama kablosunu konum onaylı yöntemleri kullanan taşıyıcı yapılara takın.

### Ana saplama kablosunu topraklama

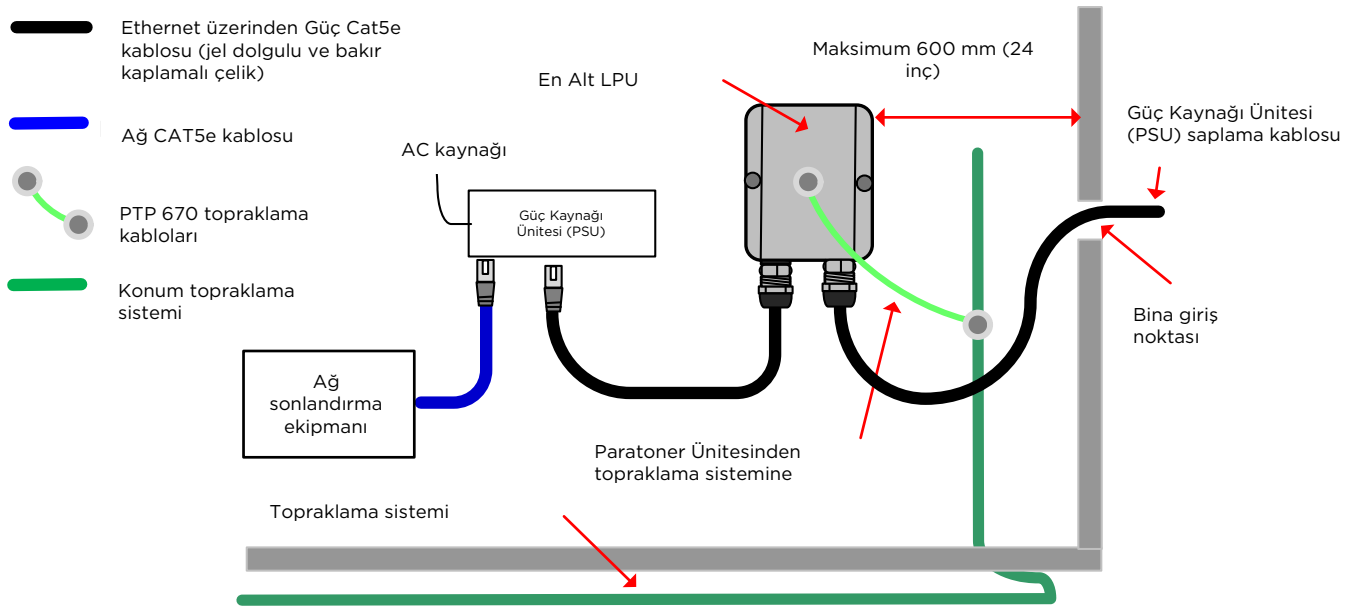
Tüm gerekli topraklama noktalarında, ana saplama kablosu zırhlama örgü eleğini taşıyıcı yapının metaline kablo topraklama setini kullanarak bağlayın (Cambium parça numarası 01010419001).

## En alttaki Paratoner Ünitesini Güç Kaynağı Ünitesi saplama kablosuna takma

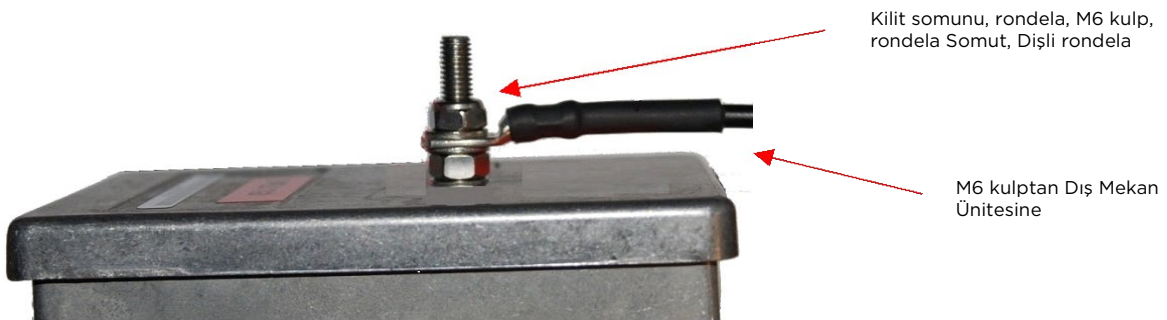
### En alttaki Paratoner Ünitesini takma

En alttaki Paratoner Ünitesini takın, topraklamasını yapın ve ana saplama kablosuna bağlayın.

- 1 Bina giriş noktasının 0,6 metre (2 ayak) mesafesinde en alttaki Paratoner Ünitesi için bir montaj noktası seçin. Paratoner Ünitesini kablo rakorları aşağı doğru bakacak şekilde dikey olarak monte edin.



- 2 Ana saplama kablosunu en alttaki Paratoner Ünitesine aşağıdaki prosedüre göre bağlayın Saplama kablosunu Dış Mekan Ünitesine ve Paratoner Ünitesi bağlama sayfa 18.
- 3 Bir topraklama kablosunu en alttaki Paratoner Ünitesine M6 (küçük) kulpu kullanarak bağlayın. Her iki somunu 5 Nm (3,7 lb fit) tork değerine kadar sıkın:



- 4 Paratoner Ünitesi dirseğine yakın bir bina topraklama noktası seçin. Yüzeiden boyayı sıyırıp giderin ve pas önleyici bileşimi uygulayın. M10 (büyük) kulpu kullanarak Paratoner Ünitesi topraklama kablosu kablosunu bağlayın.

## Paratoner Ünitesini Güç Kaynağı Ünitesi saplama kablosuna takma

Bu prosedürü en alttaki Paratoner Ünitesinden Güç Kaynağı Ünitesine giden saplama kablosunu her iki ucu RJ45 olacak şekilde ve Paratoner Ünitesi ucunda kablo rakoru olacak şekilde sonlandırmak için kullanın.

Uyarı Saplama kablosunun metal zırhlama eleği çok keskin olup kişisel yaralanmaya neden olabilir.

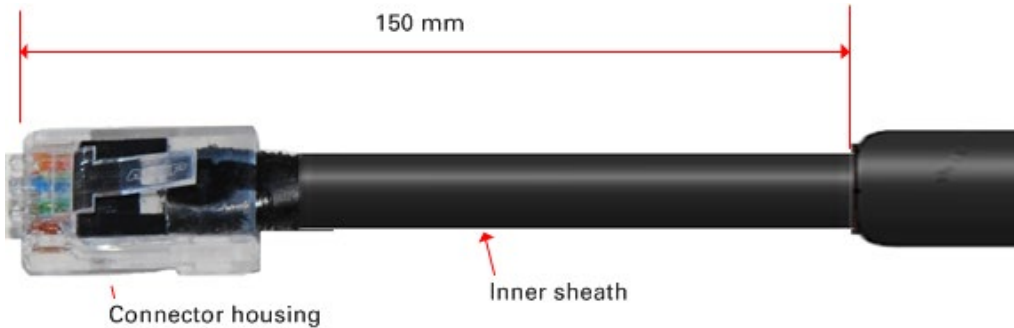


- DAİMA kesmeye dayanıklı eldiven takın (kesmeye dayanıklı olduklarından emin olmak için etiketini kontrol edin).
- DAİMA gözleri koruyucu aksesuar takın.
- Kabloları sıyırmak için DAİMA döner bıçaklı alet kullanın, normal keskin bıçak kullanmayın.



Dikkat Sıkma aletinin RJ45 konektörüyle eşleşip eşleşmediğini kontrol edin, aksi halde kablo ya da konektör hasar görebilir.

- 1 Saplama kablosunu en alttaki Paratoner Ünitesinden Güç Kaynağı Ünitesine olan uzunluğa göre kesin.
- 2 Sadece Paratoner Ünitesi ucunda:
  - Bir kablo rakorunu ve bir RJ45 konektörünü prosedüre göre takın RJ45 konektörleri ve rakorlarıyla sonlandırın sayfa 19.
  - Bu kabloyu ve rakoru en alttaki Paratoner Ünitesine prosedüre göre bağlayın Saplama kablosunu Dış Mekan Ünitesine ve Paratoner Ünitesi bağlama sayfa 18.
- 3 **Sadece Güç Kaynağı Ünitesi ucunda:** Kablo rakoru takmayın. Kablonun dış kılıfını sıyırın ve RJ45 konektör yüklemeye çubuğunu takın. RJ45 konektör yuvasını takın. Etkili gerginlik azaltma olmasını sağlamak için konektör yuvası sapının altındaki kablo iç kılıfını bulun:



## Saplama kablosundaki direnci test etme

Bakır Cat5e saplama kablosunun alt ucunu uygun bir saplama kablosu test aletine bağlayın ve pimler arasındaki dirençlerin aşağıdaki tabloda belirtilen doğru limitlerde olup olmadığını test edin. Testlerden herhangi birisi başarısız olursa, saplama kablosunda kablolama hatası olup olmadığını inceleyin.

Arasındaki direnç ölçülecek noktalar...	Ölçülen direnci girin	Testi geçebilmesi için, direncin olması gereken değeri...	"Geçti" ya da "Kaldı" ögesini	Ek testler ve notlar
---	-----------------------	---	-------------------------------	----------------------

			daire içine alın	
1. ve 2. pimler	Ohm	<20 Ohm (60 Ohm) (*1)	Geçti Kaldı	
3. ve 6. pimler	Ohm	<20 Ohm (60 Ohm) (*1)	Geçti Kaldı	Dirençler birbirinin %10'u içinde {MQ} olması gerekir (*2). "Geçti" ya da "Kaldı" ögesini daire içine alın:
4. ve 5. pimler	Ohm	<20 Ohm (60 Ohm) (*1)	Geçti Kaldı	Geçti Kaldı
7. ve 8. pimler	Ohm	<20 Ohm (60 Ohm) (*1)	Geçti Kaldı	
1. pim ve elek (Dış Mekan Ünitesi topraklaması)	K Ohm	>100K Ohm	Geçti Kaldı	Bu sınırlar kablo uzunluğuna {MQ} bakmaksızın geçerlidir.
8. pim ve elek (Dış Mekan Ünitesi topraklaması)	K Ohm	>100K Ohm	Geçti Kaldı	

(\*1) Kablo Ethernet taşıyorsa, 20 Ohm'luk bir direnç izin verilen maksimum dirençtir.

Kablo sadece Dış Mekan Ünitesine giden gücü taşıyorsa (Ethernet Dış Mekan Ünitesi arayüzlerinden biri tarafında taşıyorsa), 60 Ohm'luk bir direnç izin verilen maksimum dirençtir.

(\*2) Bu direnç seviyelerinin en düşük direnci 1,1 ile çarparak birbirinin %10'u seviyesinde olmasını sağlayın - dirençlerin herhangi biri bundan daha büyükse test başarısız olmuştur.

## Güç Kaynağı Ünitesini kurma

Aşağıdaki Güç Kaynağı Ünitesi türlerinden (yükleme planında belirtilen) birini yükleyin:

- AC Güç Enjektörü (Cambium parça numarası N000065L001C).
- AC+DC Gelişmiş Güç Enjektörü (Cambium parça numarası C000065L002C).



Dikkat Güç Kaynağı Ünitesi su geçirmez olmadığından, ekipman binasında ya da havalandırılan nem geçirmeyen bir mahfazada, nem kaynaklarından uzağa yerleştirin. Güç Kaynağı Ünitesini sıcaklık derecelendirmesini aşabileceği bir konuma yerleştirmeyin.



Dikkat Güç Kaynağı Ünitesinin Dış Mekan Ünitesi bağlantı noktasına PTP 650, PTP 670 ya da PTP 700 ODU dışında herhangi bir cihaz takmayın. Diğer cihazlar, Güç Kaynağı Ünitesi ile Dış Mekan Ünitesi arasındaki Ethernet bağlantısına DC güç enjekte etmek için kullanılan standart-dışı tekniklerden dolayı hasar görebilir.

Güç Kaynağı Ünitesinin Dış Mekan Ünitesi bağlantı noktasına Cambium PTP 670 PSU dışında herhangi bir cihaz takmayın. Dış Mekan Ünitesinin Güç Kaynağı Ünitesi bağlantı noktasına başka bir cihaz takılması, Dış Mekan Ünitesine ve cihaza zarar verebilir.

## AC Güç Enjektörünü Kurma

AC Güç Enjektörü (Cambium parça numarası N000065L001C) kurmak için aşağıdaki prosedürü uygulayın:

- 1 aratoner Ünitesinin üç Güç Kaynağı Ünitesinden Güç Kaynağı Ünitesi (PSU) saplama kablosuna giden bir damlama döngüsü oluşturun. Damlama döngüsü her türlü nemin aşağı doğru döşenmiş kablolardan Güç Kaynağı Ünitesine girmemesini sağlar.
- 2 (a) AC Güç Enjektörünü yatay bir yüzeye yerleştirin. Paratoner Ünitesinden Güç Kaynağı Ünitesine giden saplama kablosunu Dış Mekan Ünitesinin aydınlatmalı Güç Kaynağı Ünitesi bağlantı noktasına takın.  
(b) Sistem ağ bağlantısına hazır olduğunda, ağ Cat5e kablosunu Güç Kaynağı Ünitesinin LAN bağlantı noktasına takın:  
(a)



## AC+DC Gelişmiş Güç Enjektörünü Kurma

AC+DC Gelişmiş Güç Enjektörünü (Cambium parça numarası C000065L002C) kurmak için bu prosedürü uygulayın:



- 3 AC+DC{MQ}{MQ} Gelişmiş Güç Enjektörünü dikey ya da yatay yüzeye dört adet vida deliğini kullanarak vidalayın{MQ} (iki delik işaretli):



- 4 aratoner Ünitesinin üç Güç Kaynağı Ünitesinden Güç Kaynağı Ünitesi (PSU) saplama kablosuna giden bir damlama döngüsü oluşturun. Damlama döngüsü her türlü nemin aşağı doğru döşenmiş kablolardan kabine ya da mahfazaya girmemesini sağlar.
- 5 (a) Tespit vidasını geri çıkarın, kapağı menteşelemeye geri yerleştirin ve saplama kablosunu bağlantı noktasına takın.  
(b) Kapağı kapatın ve vidayla sağlamlaştırın.  
(c) Sistem ağ bağlantısına hazır olduğunda, ağ Cat5e kablosunu Güç Kaynağı Ünitesinin LAN bağlantı noktasına takın:



## Dış Mekan Ünitesini AB'de çalıştırma için yapılandırma

### Ülkeye özel Lisans Anahtarı oluşturma

PTP 670 serisinde, Lisans Anahtarı, yeni özellikleri etkinleştirmek ve Dış Mekan Ünitesinin mevzuata uygun ayarlarını değiştirmek için kullanılır. Yeni Lisans Anahtarı, çalıştırılan söz konusu ülke mevzuatına uygun bantları içerir. Bu prosedürü Lisans Anahtarı oluşturmak için kullanın.

#### Prosedür:

- 1 Cambium Destek Merkezine gidin; adresi:  
<https://support.cambiumnetworks.com/licensekeys/ptp50670>
- 2 Dış Mekan Ünitesi (ODU) MAC adresini girin Noktadan Noktaya (PTP) bağlantısının kurulacağı Ülkeyi seçin.
- 3 Hüküm ve Koşulları kabul edin ve Gönder'e tıklayın.
- 4 Dış Mekan Ünitesini MAC adresine göre bulun, Lisans Anahtarları sayfasında oluşturulmuş olan Lisans Anahtarını kopyalayın
- 5 Daha sonra kullanmak üzere Lisans Anahtarını kaydedin (örneğin bir metin düzenleyiciye yapıştırarak ve dosyayı kaydederek)

### Yönetim bilgisayarını yapılandırma

Bu prosedürü PTP 670 ile haberleşebilmesi amacıyla yerel yönetim bilgisayarını yapılandırmak için kullanın.

#### Prosedür:

- 1 Ethernet bağlantı noktası için Özellikler'i seçin. Windows 10'da bulunduğu konum Denetim Masası > Bağlantısı ve İnternet > Ağ ve Paylaşım Merkezi > Bağdaştırıcı Ayarlarını Değiştir. Ethernet bağdaştırıcı için simge üzerinde sağ tıklayın ve Özellikler ögesini seçin.
- 2 İnternet Protokolü Sürüm 4 (TCP/IP) ögesini seçin:
- 3 Özellikler ögesini tıklayın.
- 4 169.254.X.X ağı için geçerli bir IP adresi girin, 169.254.0.0 ve 169.254.1.1 adreslerini girmekten kaçınin. Buna iyi bir örnek olarak şu verilebilir: 169.254.1.3.
- 5 255.255.0.0 alt ağ maskesini girin. Varsayılan ağ geçidini boş bırakın.

### Dış Mekan Ünitesini bilgisayara bağlama ve güç verme

Bu prosedürü bir bilgisayara bağlamak ve PTP 670 ekipmanına güç vermek için kullanın.

#### Prosedür:

- 1 Dış Mekan Ünitesi ve Güç Kaynağı Ünitesinin doğru şekilde bağlanıp bağlanmadığını kontrol edin.
- 2 Bilgisayarın Ethernet bağlantı noktasını standart bir (çapraz bağlı olmayan) Ethernet kablosu kullanarak Güç Kaynağı Ünitesinin (PSU) LAN bağlantı noktasına bağlayın.
- 3 Güç Kaynağı Ünitesine (PSU) ana şebeke veya batarya ile elektrik verin. Yeşil Güç LED ışığının kesintisiz yanması gerekir.
- 4 Yaklaşık 45 saniye sonra, Ethernet LED ışığının turuncu renkte 10 defa yavaş yanıp sönmeye başlayıp başlamadığını kontrol edin.
- 5 Ardından Ethernet LED ışığının kesintisiz yanıp yanmadığını kontrol edin.

## Web arayüzüne giriş

Bu prosedürü sistem yöneticisi olarak web arayüzüne giriş yapabilmek için kullanın.

### Prosedür:

- 1 Yönetim bilgisayarından web tarayıcısını başlatın.
- 2 Ünitenin IP adresini adres çubuğuna yazın. Fabrika varsayılan IP adresi: 169.254.1.1. Enter'a basın. Web arayüzü menüsü ve Sistem Özeti sayfası görüntülenir.
- 3 Menüde Yükleme ögesini tıklayın. Sadece Parola olan (varsayılan) veya Kullanıcı Adı ve Parola olan (kimlik tabanlı kullanıcı hesapları etkinleştirilmişse) giriş sayfası görüntülenir. Varsayılan Parola boştur.
- 4 Kullanıcı Adını (isteniyorsa) ve Parolayı (varsayılan boş) girin ve Giriş Yap ögesini tıklayın.

## Lisans Anahtarını güncelleme ve Dış Mekan Ünitesini yapılandırma

Bu prosedürü yeni bir Lisans Anahtarı yüklemek ve Konektörlü Dış Mekan Ünitesinin anten kazanımını ve kablo kaybını yapılandırmak için kullanın.

### Prosedür:

- 1 Menüde Yükleme ögesini tıklayın.
- 2 Yazılım Lisans Anahtarı sayfasında Lisans Anahtarını Lisans Anahtarı alanına yapıştırın. Gönder veya Biçimlendir ögesine tıklayın.
- 3 Entegre Dış Mekan Ünitesi (ODU) için, Kablosuz Konfigürasyon sayfası görüntülenene kadar takip eden sayfalarda Sonraki ögesini tıklayın. Seçilen bantta çalıştırmak için Mevzuat Bandı ve Maksimum Verici Gücü özelliklerini ayarlayın. Bazı AB üyesi ülkelerde 5,4 GHz bandı kullanılabilir tek bant olabileceğini unutmayın.  
  
Kurulum Konfigürasyonunu Onayla sayfası görüntülenene kadar takip eden sayfalarda Sonraki ögesini tıklayın. Konfigürasyonu Onayla ve Yeniden Başlat ögesini tıklayın.
- 4 Konektörlü bir Dış Mekan Ünitesi (ODU) için, Kablosuz Konfigürasyon sayfası görüntülenene kadar takip eden sayfalarda Sonraki ögesini tıklayın. Kurulumda kullanılan anten ve kablo ile eşleşen Mevzuat Bandı, Anten Kazanımı, Kablo Kaybı ve Maksimum Verici Gücü özelliklerini ayarlayın. Bazı AB üyesi ülkelerde 5,4 GHz bandı kullanılabilir tek bant olabileceğini unutmayın.

Kurulum Konfigürasyonunu Onayla sayfası görüntülenene kadar takip eden sayfalarda Sonraki ögesini tıklayın. Konfigürasyonu Onayla ve Yeniden Başlat ögesini tıklayın.

# Cambium Networks

Cambium Networks dünya genelindeki müşterilerine profesyonel sınıfta sabit kablosuz geniş bant ve mikrodalga çözümleri sunar. Kurulumu kolay ve üstün performans sağladığı kanıtlanmış, güvenilir, güvenli, maliyet-etkin bağlanabilirlik sağlayan yenilikçi teknolojileriyle çözümlerimiz 153'ten fazla ülkede ağlara kuruluyor.

Ödül kazanan Noktadan Noktaya (PTP) telsiz çözümlerimiz lisanslı, lisanssız ve ABD Federal piyasasına yönelik özel FIPS 140-2 çözümleri de dahil olmak üzere tanımlı bantları kullanıyor. %99,999 kullanılabilirlik düzeyinde sağlamlaştırılmış Noktadan Noktaya (PTP) çözümlerimizin mükemmel geçmiş performansı, görüş mesafesi olmayan RF ortamlarında bile, güvenilir, yüksek hızlı geri veri aktarım bağlanabilirliği sunduğu gösteriyor.

Esnek Noktadan Çoklu Noktaya (PMP) çözümlerimiz lisanslı, lisanssız ve federal frekans banlarında çalışarak, güvenilir, güvenli, maliyet-etkin erişimli ağ hizmetleri sağlıyor. Dünya genelinde ağlara kurulan üç milyondan fazla modülle, Noktadan Çoklu Noktaya (PMP) erişim ağ çözümlerimiz yerleşim bölgeleri erişimi, kiralık hat yedeği, güvenlik kamerası sistemi ve akıllı şebeke altyapısı çözümleriyle her gün kendini kanıtlamaktadır.

Cambium Networks çözümleri kablosuz geniş bant sektörünün kendini kanıtlamış, saygın öncülerindedir. Dünya genelinde neredeyse her yerde, hayati haberleşme, kişilerin güçlendirilmesi, ticari ve toplumsal büyümeyi mümkün kılan ve sağlayan yenilikçi veri, ses ve video bağlanabilirlik çözümlerini tasarlıyoruz, kuruyoruz ve teslim ediyoruz.

Kullanım Kılavuzları: <http://www.cambiumnetworks.com/guides>

Teknik eğitim: [http://www.cambiumnetworks.com/technical\\_training](http://www.cambiumnetworks.com/technical_training)

Destek web sitesi: <https://support.cambiumnetworks.com>

Ana web sitesi: <http://www.cambiumnetworks.com>

Satışla ilgili sorular: [solutions@cambiumnetworks.com](mailto:solutions@cambiumnetworks.com)

Destek soruları: <https://support.cambiumnetworks.com>

Telefon numarası listesi: <http://www.cambiumnetworks.com/contact-us/>

Adres: Cambium Networks Limited,  
Linhay Business Park,  
Eastern Road,  
Ashburton,  
Devon, Birleşik Krallık,  
TQ13 7UP

phn-4835 000v002

Aralık 2018



[www.cambiumnetworks.com](http://www.cambiumnetworks.com)

Cambium Networks ve stillendirilmiş dairesel logosu Cambium Networks, Ltd şirketinin ticari markalarıdır. Tüm diğer ticari markalar ilgili sahiplerinin mülkiyetidir.

© Telif Hakkı 2018 Cambium Networks Ltd. Tüm hakları saklıdır.

### **Az információk helyessége**

Bár törekedtünk arra, hogy a jelen dokumentum megfeleljen a valóságnak, a Cambium Networks nem vállal felelősséget sem az előforduló pontatlanságoknak és hiányosságoknak, sem az innen szerzett információk alkalmazásának a következményeiért. A Cambium Networks fenntartja a jogot, hogy a megbízhatóság, működés vagy kialakítás jobbá tétele érdekében módosítsa bármelyik itt leírt terméket; és fenntartja a jogot, hogy módosítsa ezt a dokumentumot, illetve időnként változtasson a tartalmán; a módosításokról-változtatásokról való bármilyen értesítés kötelezettsége nélkül. A Cambium Networks nem vállal semmilyen felelősséget az itt ismertetett termékek, szoftverek vagy áramkörök alkalmazásának vagy használatának következményeiért; és nem továbbít szabadalmi jogai alá tartozó licencet, valamint nem továbbítja mások jogait sem. Lehetséges, hogy ez a kiadvány tartalmaz olyan Cambium Networks termékkel (gép, program), programozással vagy szolgáltatással kapcsolatos hivatkozást vagy információt, ami az önök országában nem került forgalomba. Az ilyen hivatkozások vagy információk nem jelentik azt, hogy a Cambium Networks forgalomba akarná hozni az önök országában az ilyen Cambium Networks termékeket, programozásokat vagy szolgáltatásokat.

### **Szerzői jogok**

Ez a dokumentum, valamint a jelen dokumentumban ismertetett Cambium Networks termékek és harmadik személyektől származó szoftvertermékek tartalmazhatnak vagy leírhatnak szerzői jogi oltalom alatt álló, Cambium Networks és egyéb, harmadik féltől származó, félvezető memóriában vagy más adathordozón tárolt számítógépprogramokat. Az Egyesült Államokban és más országokban érvényes jogszabályok a Cambium Networks, licencbe adói és más harmadik személyeknek biztosított szoftverek számára kizárólagos jogot biztosítanak szerzői jogi oltalom alatt álló dolgokhoz; ilyen például a szerzői jogi oltalom alatt álló anyagok lemásolásához, bármilyen formában való reprodukálásához, terjesztéséhez és azokból származó derivatív munkák előállításához való kizárólagos jog. Ennek megfelelően a jelen dokumentumban ismertetett Cambium Networks termékekben lévő, a Cambium Networkstől, licencbe adótól ill. a harmadik féltől származó szoftverrel együtt járó dolgok minden szerzői jogi oltalom alatt álló anyagát a Cambium Networks kifejezett írásbeli engedélye nélkül bármilyen módon lemásolni, reprodukálni, visszafejteni, terjeszteni, egyesíteni és módosítani tilos. Továbbá a Cambium Networks termékek beszerzése nem értelmezendő úgy, hogy megadnának akár közvetlenül, akár közvetett módon, álláspont-változtatás kizárásával vagy máshogy bármilyen a Cambium Networks vagy más harmadik személy által biztosított szoftver szerzői jogai, szabadalmi vagy szabadalmi igényei alatt lévő licencet; kivétel a normál nem kizárólagos, jogdíjmentes használandó licenc, ami egy termék értékesítésében a törvényes jog alkalmazásából adódik.

### **Korlátozások**

A szoftver és a dokumentáció szerzői jogi oltalom alatt álló dolog. A jogosulatlan másolást jogszabály tiltja. A szoftvernek és a dokumentációnak semmilyen része sem reprodukálható, továbbítható, írható át, tárolható adat-visszanyerési rendszerben, és nem fordítható le semmilyen nyelvre, számítógépes nyelvre sem, semmilyen formában és módon a Cambium Networks előzetes írásbeli engedélye nélkül.

### **Licencmegállapodások**

A jelen dokumentumban ismertetett szoftver a Cambium Networksnek és licencadójának a tulajdona. Csak kifejezett licencmegállapodással kerül átadásra, és kizárólag ilyen megállapodás feltételeinek megfelelően használható.

### **Nagy kockázatú dolgok**

A Cambium és beszállítója/beszállítói kifejezetten megtagadnak mindenféle kifejezett és hallgatóságos garanciát arra, hogy alkalmas lenne bármilyen nagy kockázatú tevékenységre vagy a termékei ilyenekhez való használatára, mint például – egyebek mellett – nukleáris létesítmények üzemeltetése, légi járművek irányítása vagy kommunikációs rendszerei, légiforgalom-irányítás, életben tartás vagy fegyverrendszerek („nagy kockázatú használat”). Mindenféle nagy kockázat tilos, azokat saját kockázatukra idézik elő, és önök lesznek felelősek a nagy kockázatú használatból eredő minden veszteségért, károsodásért ill. követelésért.

## Előzetes információk

### A jelen rövid útmutatóról

Ez a rövid útmutató ismerteti, hogy hogyan telepítsük a helyszíni berendezéseket a PTP 670 sorozatú összeköttetésekhez. Ennek az útmutatónak a használói a kültéri rádiószerelés helyes gyakorlata szerint kell, hogy eljárjanak.

Komplexebb elrendezések esetében egy vagy két további Ethernet interfész is csatlakozhat a kültéri egységhez: egy az SFP porthoz (réz vagy optikai), egy pedig az AUX porthoz. Az ilyen elrendezésekkel kapcsolatban bővebben a PTP 670 szériára vonatkozó használati útmutatóból tájékozódjon.

Ez a rövid útmutató ismerteti, hogy hogyan telepítsünk PTP 670-et a következő országokban:

- Írország
- Norvégia
- Egyesült Királyság (UK)

A PTP 670-hez való rövid útmutatók más EU-tagállamok esetére is rendelkezésre állnak. Tekintse meg itt:

<http://www.cambiumnetworks.com/guides>

### Rendeltetésszerű használat

A Cambium Networks PTP 670 szériájú rádiótermékei Point-to-Point (PTP) mikrohullámú kapcsolatban keresztüli adatátvitelt támogatnak. Ez a rádióberendezés kizárólag professzionális, kültéri, rögzített telepítési környezetekben használandó. Ezek a rádiók vagy integrált antennával vannak ellátva, vagy külső antennához csatlakoztatandó egységként működnek.

### EU-beli üzemeltetés

#### Frekvenciasávok, maximális működési teljesítmény, biztonságos távolság

A PTP 670 szériájú termékek a következő frekvenciasávokban működnek, legfeljebb a feltüntetett maximális teljesítményig:

Működési frekvenciasáv	EU-szabvány	Maximális teljesítménykorlát (EIRP)	Engedélyezett használat	Minimális biztonságos távolság
5470 – 5600 MHz 5650 – 5725 MHz	EN 301 893	1 watt/30 dBm	Unlicensed.	0 cm
5725 – 5795 MHz, 5815 – 5875 MHz	EN 302 502	4 watts/36 dBm	Unlicensed.	0 cm

#### Korlátozások és előírások a használat engedélyezéséhez

A berendezés csak kültéri környezetben használandó.

A Cambium PTP 670 szériájú termékek licencelt vagy licenc nélküli frekvenciasávokban való működésre egyaránt konfigurálhatók; ezekre az egyes országokban frekvenciatervezés vonatkozhat. A működtetőnek vagy végfelhasználóknak gondoskodniuk kell arról, hogy a berendezés telepítése és működtetése az adott országra vonatkozó szabályoknak megfelelően történjen, valamint be kell szerezniük minden szükséges licencet és egyéb engedélyt.

#### Antennák a csatlakozóval ellátott egységekhez

A csatlakozóval ellátott PTP 670 kültéri egységek kettős polarizációjú antennához való csatlakoztatásra készültek, vertikális és horizontális polarizáció alkalmazásával. A rádiókat EU-s szabályoknak való megfelelés

tekintetében az alább felsorolt típusú antennákkal tesztelték. Az egyes antennákhoz a maximális nyereség van feltüntetve. Ezekkel egyenértékű vagy kisebb nyereségű, valamint azonos típusú antennák használhatók. Nagyobb nyereségű antennát ne használjon! Az esetleg előforduló, más felhasználókat érintő rádió-interferencia korlátozása érdekében az antenna típusát és nyereségét úgy kell megválasztani, hogy az egyenértékű izotróp kisugárzott teljesítmény (EIRP) ne legyen több, mint ami a sikeres kommunikációhoz szükséges.

Antennatípus	Gyártói antennanyereség (dBi)		
	4,9 GHz sáv, 5,1 GHz sáv	5,4 GHz sáv	5,8 GHz sáv
1,8 m-es paraboloid tányér	36,0	Nincs támogatva	38,1
1,2 m-es paraboloid tányér	32,6	34,9	35,3
Sík lemez	23,0	23,0	23,0
Szektorizált	17,0	17,0	17,0
Körsugárzó	13,0	13,0	13,0

### Ajánlott paraboloid tányér antennák

A csatlakozóval ellátott PTP 670 kültéri egységekkel való használatra a következő paraboloid tányér antennák alkalmasak, a fent meghatározott maximális antennanyereség mellett.

Cambium azonosító (part number)	Leírása
RDH4503B	5,25–5,85 GHz; 0,6 m; 29,0 dBi; kettős polarizációjú, H-Pol és V-Pol; finomhangolásokkal
RDH4504B	5,25–5,85 GHz; 0,9 m; 32,5 dBi; kettős polarizációjú, H-Pol és V-Pol
RDH4505B	5,25–5,85 GHz; 1,2 m; 34,9 dBi; kettős polarizációjú, H-Pol és V-Pol
RDH4506B	5,25–5,85 GHz; 1,8 m; 37,9 dBi; kettős polarizációjú, H-Pol és V-Pol
RDH4508B	5,25–5,85 GHz; 0,6 m; 28,8 dBi; nagy teljesítőképességű kettős polarizációjú
RDH4509B	5,25–5,85 GHz; 0,9 m; 32,3 dBi; nagy teljesítőképességű kettős polarizációjú
RDH4510B	5,25–5,85 GHz; 1,2 m; 34,7 dBi; nagy teljesítőképességű kettős polarizációjú
RDH4511B	5,25–5,85 GHz; 1,8 m; 37,7 dBi; nagy teljesítőképességű kettős polarizációjú

### A kültéri egység konfigurálása

A telepítés során vegye figyelembe az alábbi fontos utasításokat! Ezáltal fog a berendezés megfelelni az országos előírásoknak.

- Gondoskodjon arról, hogy a kültéri egységre a legújabb verziójú firmware legyen telepítve. A firmware-t a Cambium Support Centre webhelyén, az alábbi hivatkozáson érheti el.
- A berendezések beállítása során ellenőrizze, hogy a kültéri egység az EU régióba való változat-e. A Cambium Support Center használatával generáljon egy országspecifikus (a termék használati országára érvényes) licenckulcsot. Telepítse a licenckulcsot a kültéri egységbe. A licenckulcs révén használhatóvá válnak további, az adott országban megengedett szabályozói sávok.
- Csatlakozóval ellátott egységek esetében a webes felület Rendszerkonfiguráció oldalán adja meg az antennanyereség (Antenna Gain) és a kábelveszteség (Cable Loss) adatot.

### Egyszerűsített EU-s megfelelési nyilatkozat

A gyártó (Cambium Networks Ltd) ezúton kijelenti, hogy az 5 GHz PTP 670 Connectorised ODU (csatlakozóval ellátott kültéri egység) és az 5 GHz PTP 670 Integrated ODU (integrált kültéri egység) típusú rádióberendezés megfelel a 2014/53/EU irányelvnek. Az EU-s megfelelőségi nyilatkozat teljes szövege megtalálható ezen a címen:

<http://www.cambiumnetworks.com/support/compliance/>

## Szakszerű telepítés

A termék telepítése és üzemeltetése összetett. Kérjük, a jelen tájékoztatóban megadott utasítások szerint járjon el. Ügyeljen arra, hogy a termék üzemeltetése megfeleljen az üzembe helyezési országban érvényes előírásoknak. Ügyeljen arra, hogy a telepítők rendelkezzenek a megfelelő képességekkel, ismeretekkel és tapasztalattal a telepítés elvégzéséhez; ideértendő:

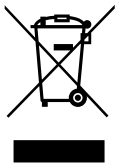
- Az aktuális vonatkozó országos előírások, így a rádiókkal, az elektromos berendezések telepítésével, a túlfeszültség-védelemmel és a magaslatokon végzett munkával kapcsolatos előírások ismerete;
- Telepítés a Cambium Networks útmutatása szerint;
- Meggyőződés arról, hogy a berendezés beállításai megfelelnek az országos vagy regionális előírásoknak.

## Felhasználói dokumentáció

A *PTP 670 sorozat használati útmutatója* letöltésével hozzájut a PTP 670-telepítés tervezésére vonatkozó teljes útmutatóhoz, valamint egy komponenslistához:

<http://support.cambiumnetworks.com/files/ptp670>

## Az elektromos és elektronikus berendezések hulladékai (WEEE)



Elektromos és elektronikus berendezéseket vagy tartozékokat ne helyezzen a háztartási szemétkorba! Egyes országokban vagy régiókban az elektromos és elektronikus hulladékok kezelésére begyűjtőrendszerek működnek. Európai uniós országokban, ha tájékozódni szeretne az országa hulladékgyűjtési rendszeréről, forduljon helyi berendezésszolgáltatójának a képviselőjéhez vagy a Cambium Networks támogatási központjához.

A használt termékek hulladékaival kapcsolatos teendőkről lásd:

<http://www.cambiumnetworks.com/support/weee-compliance>

## Személybiztonság



**Figyelmeztetés** Az életvesztés és a fizikai sérülések megelőzése érdekében ne feledkezzen meg az alábbi biztonsági elvekről. A Cambium PTP 670 telepítése közben okozott sérülésekért és károsodásokért a Cambium Networks semmilyen esetben sem vonható felelősségre. Ügyeljen arra, hogy PTP 670 összeköttetést kizárólag megfelelő képesítésű személyzet végezze.

### Távvezetékek

Távvezetékek közelében végzett munka esetén legyen rendkívül óvatos!

### Magaslatokon végzett munka

Magaslatokon végzett munka esetén legyen rendkívül óvatos!

### Tápegység



A kültéri egység áramellátásához minden esetben az AC Power Injectort vagy az AC+DC Enhanced Power Injectort használja! Ha nem Cambiumtól származó tápegységet használnak, az a berendezés meghibásodását eredményezheti, érvényteleníti a biztonságosságra vonatkozó hitelesítést, és biztonsági kockázatot okozhat.

## Földelés és nullázás (védőföldelés)

A kültéri egységet a villámoktól megfelelő földeléssel védeni kell. A berendezés országos előírásoknak megfelelő telepítéséről a felhasználónak kell gondoskodnia. Az Egyesült Államokban betartandó szabály: National Electrical code NFPA 70-2005 és 780-2004 *Installation of Lightning Protection Systems* A Kanadában betartandó szabály: *Canadian Electrical Code* - Section 54. Ezek a jogszabályok ismertetik a telepítés helyes eljárásrendjét a következők tekintetében: a kültéri egység, az antennaárbóc, a lead-in vezeték és a kisütőegység földelése; földelő vezetők mérete és a földelőelektródákra vonatkozó csatlakoztatási előírások. Különböző országokban más-más szabályok lehetnek érvényben; ajánlott a kültéri egység telepítésére szakképzett telepítőt szerződtetni.

## DC tápellátás

A kültéri egység egyenáramról (DC) való működtetéséhez az AC+DC enhanced power injector (PSU) tápegységet használja; Cambium azonosítója (part number): C000065L002C. Ügyeljen arra, hogy a DC tápegység megfelelően *A PTP 670 sorozat használati útmutatója* dokumentumban meghatározott előírásoknak.

## Szervizelés előtti áramtalanítás

A PTP 670 berendezés szervizelése előtt minden esetben kapcsolja ki a tápellátást, és húzza ki a tápegységből. Amíg a tápegység csatlakoztatva van a tápellátáshoz, ne húzza ki az RJ45 bekötőkábel csatlakozóit a kültéri egységből! Minden esetben szüntesse meg a tápegység AC vagy DC tápellátását!

## Az elsődlegesen leválasztandó eszköz

Az elsődlegesen leválasztandó eszköz a fő tápegység. Az AC-DC enhanced power injector a DC bemeneten el van látva biztosítóval. Lehetnek olyan elrendezések, amelyekhez a DC tápellátásba további megszakítót vagy izolációs kapcsolót kell beiktatni.

## Külső kábelek

Ha kültéri környezetnek kitett összeköttetésekhez nem kültéri használatra való kábeleket használnak, az veszélyes lehet. Kültéri réz Cat5e Ethernet interfészekhez minden esetben géllal kitöltött, réz bevonatú acéllal árnyékolt Cat5e kábelt használjon. A PTP 670-hez a Cambium Networks másféle bekötőkábelek használatát nem támogatja.

Az AC kábeleket mindig szakképzett villanyszerelővel telepíttesse!

## Bekötőkábel-teszter

Bekötőkábel-tesztet SEMMILYEN ESETBEN SEM szabad a tápegységből jövő áramellátáshoz hozzacsatlakoztatott kültériegység-végen használni. Csak az árbóc aljánál, multiméterrel szabad használni. Ez azért van így, mert a tápegység feszültsége némelyik ország esetében meghaladja a nedves körülmények közötti biztonságos kezeléshez még megengedett értéket, így biztonsági kockázatot képezhet.

## RF-kitettség az antenna közelében

A jeladó működésekor az antennához közel erős rádiófrekvenciás (RF) mezők vannak. Az antenna előtt végzendő karbantartási műveletek előtt mindig kapcsolja ki a kültéri egység áramellátását!

## Minimálisan tartandó távolságok

Ügyeljenek arra, hogy a személyzet ne legyen kitéve veszélyes mértékű RF energiának! Az egységek amikor áram alatt vannak, RF energiát sugároznak. Amikor a kültéri egység áram alatt van, semmiképp se tartózkodjon az antenna előtt! Úgy telepítsék a kültéri egységeket, hogy mindenkitől legyen meg, és maradjon is fenn a minimálisan tartandó távolság!

## Földelésre és villámvédelemre vonatkozó előírások

Ügyeljen arra, hogy a telepítés megfeleljen *A PTP 670 sorozat használati útmutatója* dokumentumban meghatározott előírásoknak.

## Földelőkábel-telepítési módszerek

A villámlás által kiváltott túlfeszültségek elleni hathatós védelem érdekében vegye figyelembe az alábbi követelményeket:

- A földelő vezetők vonalvezetése minél rövidebb, egyenesebb és simább legyen, minél kevesebb meghajlítással és ívvel.
- A földelőkábelekhöz nem szabad vízmentesítő („csepegtető”) hurkokat alkalmazni.
- Minden meghajlítás legalább 203 mm-es sugarú és legalább 90°-os szögű legyen. Meghajlításhoz diagonális vonalvezetést érdemes alkalmazni annak ellenére is, hogy az nem követi a tartó szerkezet vonalát, illetve nem párhuzamos vele.
- Minden meghajlítást, ívet és csatlakozást a földelő elektródarendszer, földelőpálca vagy földelőrúd irányába kell terelni.
- A földelési csatlakozásokat stabilan kell rögzíteni.
- Fonott földelővezetőket nem szabad használni.
- Egymástól eltérő fémek csatlakoztatásához jóváhagyott kötéstechnikákat kell alkalmazni.

## Kültéri egységek és antennák helyének megválasztása

A kültéri egységek és a külső antennák közvetlen villámcsapást nem feltétlenül viselnek el, nem arra tervezték azokat. Emiatt *A PTP 670 széria használati útmutatója* szerinti B zónába kell azokat telepíteni. Ha „A” zónába szerelik, az a berendezésekre, a tartószerkezetekre és emberéletre is kockázatot jelent.

## Szélállóság

Ügyeljen arra, hogy a kültéri egység és a szerkezet, amelyhez azt rögzítették, ellenálljon a javasolt üzemelési hely maximális szélsőségeinek!

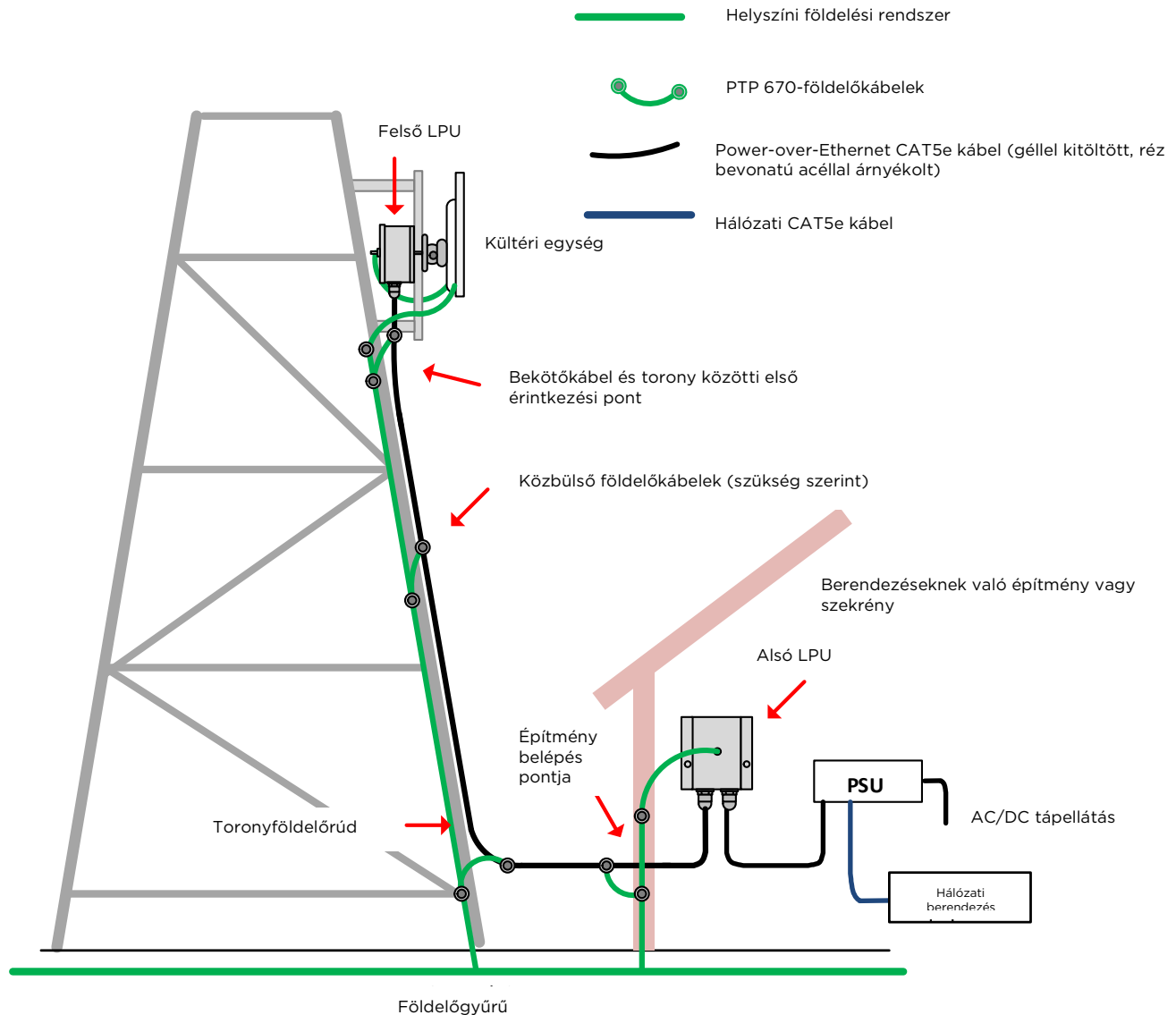
## Felületi hőmérséklet

Működés közben a kültéri egység burkolata megérintve forró lehet.

## Berendezésgyártó

Cambium Networks Ltd, Unit B2 Linhay Business Park, Eastern Road, Ashburton, Devon, TQ13 7UP, United Kingdom (Egyesült Királyság).

## Jellemző elrendezések



A PTP 670-es helyszínek jellemzően a következőkből állnak: egy magas tartó szerkezet, például antennaárbóc, torony vagy építmény a kültéri berendezések (kültéri egység és opcionális külső antenna) számára; valamint egy berendezéseknek való építmény vagy egy nedvesség ellen védő doboz a beltéri berendezés (tápegység) számára. Itt egy jellegzetes árbócos vagy tornyos elrendezés látható:



**Megjegyzés** Ez az útmutató feltételezi, hogy a villámvédelmi egységeket (LPU) az LPU + földelőkészlet csomagból telepítik, melynek Cambium azonosítója (part number): C000065L007A.

Ha az alkalmazandó elrendezéshez nincs szükség villámvédelmi egységekre, akkor ez az útmutató értelemszerűen úgy adaptálandó. Ha telepítenek villámvédelmi egységet, csak az LPU + földelőkészlet csomagban lévő öt db, fekete sapkával ellátott EMC tömszelencét használják! A kültéri egységekhez mellékelt, ezüst sapkával ellátott tömszelencéket csak a villámvédelmi egységet nem igénylő PTP 670-elrendezésekhez szabad használni.

## A kültéri egység változatai és a rögzítőelem-választék

### A kültéri egység változatai

A PTP 670 kültéri egységnek két platform változata van.

A PTP 670 Integrated ODU (integrált kültéri egység) egy 23 dBi-es sík lemez antennához van csatlakoztatva, és középestől hosszú tartományig terjedő bonyolult összeköttetésekhez való, valamint hagyományos backhaul igényekhez, ahol nagy kapacításra és nagy link budgetre van szükség. Ahol külső antennából eredő többletgyeresésre nincs szükség, az integrált antenna kényelmes és könnyen telepíthető megoldást jelenthet.

#### Integrált kültéri egység (4,8-től 5,9 GHz-ig)



#### Integrált kültéri egység (4,9-től 6,05 GHz-ig)



A PTP 670 Connectorized ODU (csatlakozóval ellátott kültéri egység) külső, külön felszerelt antennával való használatra készült. A külső antennák nyeresége általában nagyobb, mint az integráltaké, és ezáltal a PTP 670 kedvezőtlenebb rádiós körülményekkel is megbirkózhat.



## Rögzítőelem-választék

A PTP 670 szériához háromféle rögzítőelem használható. Az oszlop átmérője és a kültéregység-változat alapján válassza ki a legmegfelelőbb rögzítőelemeket:

Rögzítőelem	Oszlop átmérője	A kültéri egység változatai	Cambium azonosító (part number)
Billenő rögzítőszerkezet	40 mm - 77 mm	integrált PTP 670 csatlakozós PTP 670	N000045L002A
Billenő rögzítőszerkezet szorítóhevederekkel	90 mm - 230 mm	integrált PTP 670 csatlakozós PTP 670	N000045L002A + más gyártótól származó hevederszorítók
Rögzítőelem (integrált)	40 mm - 82 mm	PTP 670 Integrated	N000065L031A



Megjegyzés A billenő rögzítőszerkezet a integrált és a csatlakozós PTP 670 kitekben benne van. A rögzítőelem (integrált) szükség esetén külön rendelendő.

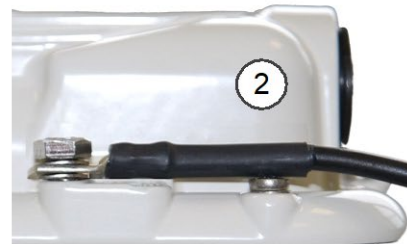


Megjegyzés A billenő rögzítőszerkezet az integrált kültéri egységhez lehetővé teszi az emelkedési szög pontosabb beállítását,  $-17^\circ$  és  $+26^\circ$  között. A rögzítőelem (integrált) az emelkedési szög pontosabb beállítását  $-26^\circ$  és  $+41^\circ$  között teszi lehetővé.

## A kültéri egység és a felső villámvédelmi egység telepítése

### Földelőkábelek csatlakoztatása a kültéri egységhez

- 1 Erősítsen egy-egy földelőkábelt a kültéri egység földelőpontjaihoz az M6-os (kicsi) saruk használatával: az egyiket a felső LPU-hoz M6-os saru a másik végen), a másik pedig a toronyhoz vagy építményhez való (M10-es saru a másik végen). Hogy a kültéri egység egyes földelési pontjaira melyik kábel kerül, az mindegy.
- 2 Szorítsa rá a kültéri egység mindkét földelési rögzítőcsavarját 5,0 Nm-rel.



### A kültéri egység felszerelése az antennaárbócra

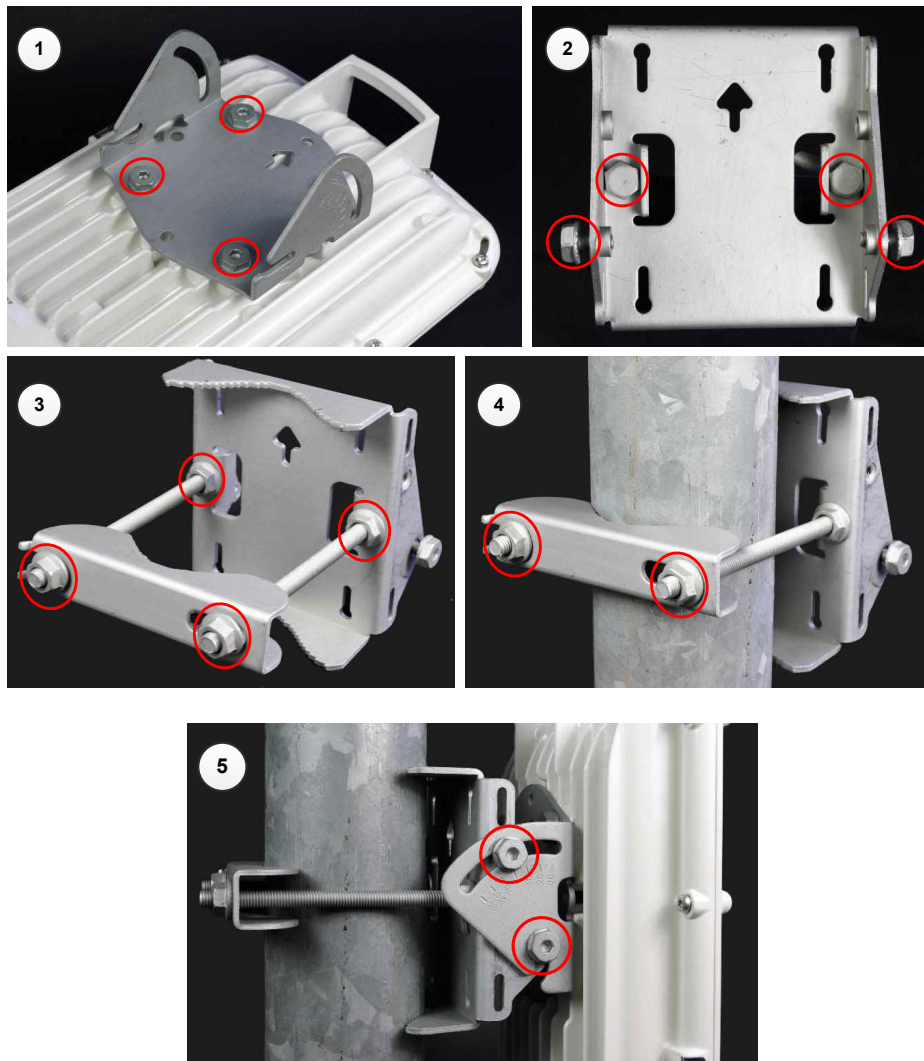
Válassza ki a legalkalmasabb rögzítőelemeket; a választék a Rögzítőelem- választék cím alatt, a 207. oldalon található. Az egyes lehetőségekhez az eljárás menete alább található:

- Billenő rögzítőszerkezet – oldalszám: 208
- Billenő rögzítőszerkezet szalagbilincsekkel – oldalszám: 209
- Rögzítőelem (integrált) – oldalszám: 210

A szerelés menetét a kültéri egység alkalmas vízszintes tartórúdra való rögzítéséhez is adaptálhatják, de ilyenkor az irányszög pontosítása a függőleges tartóhoz képest értelemszerűen korlátozott.

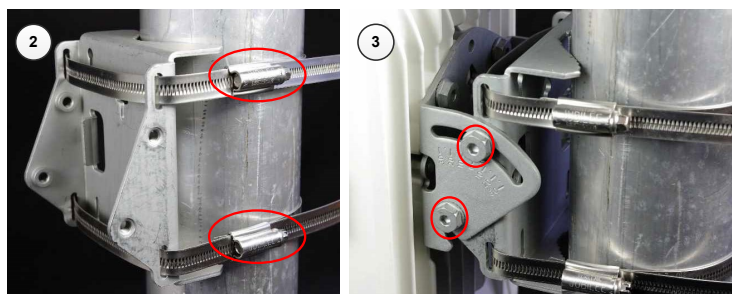
#### Billenő rögzítőszerkezet

- 1 A rövid csavarokból négyet felhasználva erősítse a billenő rögzítőelem rögzítőlapját a kültéri egység hátuljához; ügyeljen arra, hogy a lapban lévő nyíl a kültéri egység teteje felé mutasson. Szorítsa meg a négy csavart megfelelő nyomatékkal, ami 5,0 Nm, egy 13 mm-es villáskulcs vagy dugókulcs használatával.
- 2 Vezesse át a két hosszú csavart a rögzítőelem fő részén úgy, hogy a csavarfejek a szemléltetett módon a közökbe illeszkedjenek. A rövid csavarokból kettőt illesszen a rögzítőelem fő részének az oldalába, de ne szorítsa meg.
- 3 Az anyákból kettőt csavarjon fel a hosszú csavarokra, és egy 13 mm-es villáskulcs használatával szorítsa a rögzítőelem fő részéhez. Illessze a helyére a rögzítőelem pántját, és csavarja fel a további anyákat a hosszú csavarokra.
- 4 Rögzítse az összeszerelt rögzítőelemet az oszlopra, állítsa be az irányszöveget, és egy 13 mm-es csavarkulccsal szorítsa meg az anyákat 10,0 Nm-re állított nyomatékkal; ügyeljen arra, hogy a fő részben lévő nyíl felfelé mutasson.
- 5 Húzza fel a kültéri egységet a rögzítési pozícióba. Illessze a rögzítőlapot a rögzítőelem fő részéhez: igazítsa a nyitott végű kivágásokat a rövid csavarok fölé. A további rövid csavarokat a hosszabb íves kivágásokon át vezesse be a rögzítőelem fő részében lévő menetes furatokba. Állítsa be az emelkedési szöveget, és egy 13 mm-es villáskulcs vagy dugókulcs használatával, 8,0 Nm-es nyomatékbeállítással szorítsa meg a csavarokat.



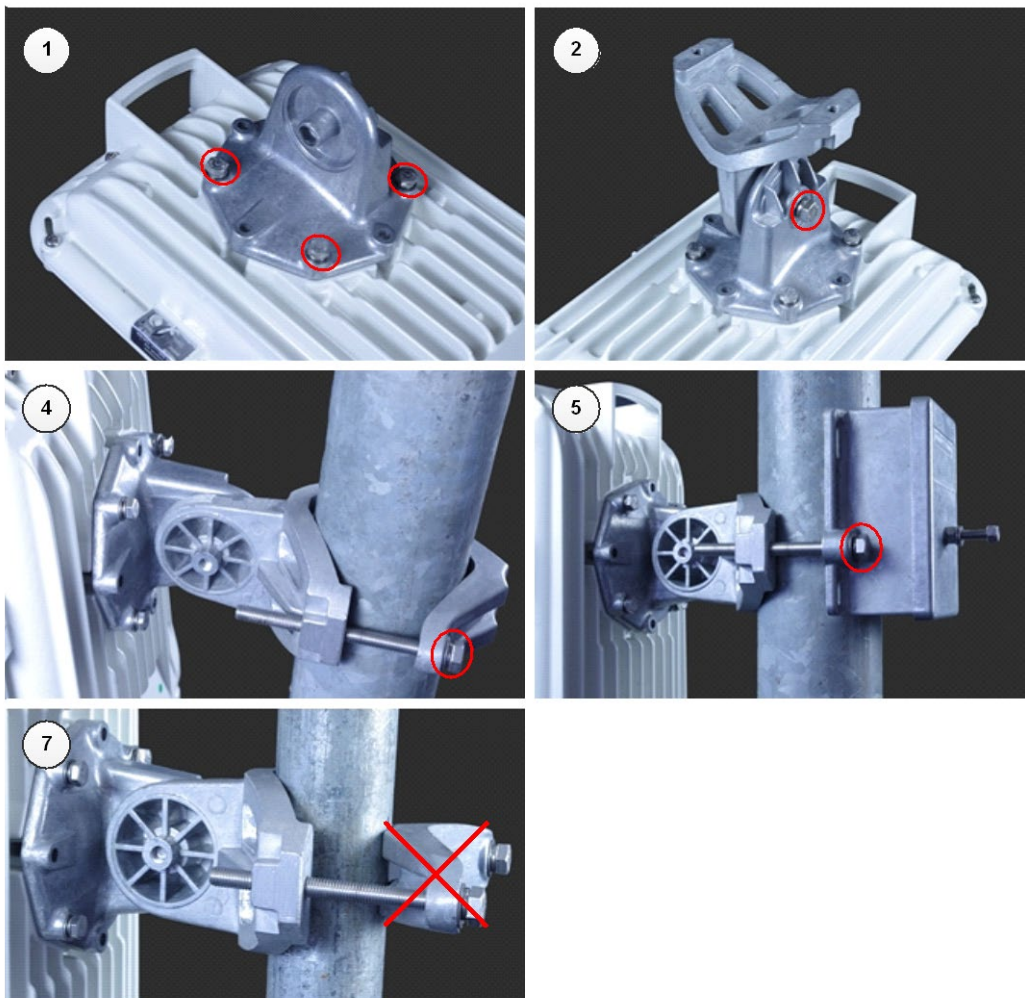
### Billenő rögzítőszervezet szalagbilincsekkel

- 1 Végezze el a billenő rögzítőszervezetre vonatkozó eljárás 1. lépését.
- 2 Fűzze be a szalagbilincseket (ezeket nem a Cambium biztosítja) a rögzítőelem fő részének a kivágásain át. A szalagbilincsekkel rögzítse stabilan a rögzítőelem fő részét az oszlopra; ügyeljen arra, hogy a fő részben lévő nyíl felfelé mutasson. Állítsa be az irányszöveget, és 6,0 Nm-es nyomatékbeállítással szorítsa meg a szalagbilincseket.
- 3 Húzza fel a kültéri egységet a rögzítési pozícióba. Egy 13 mm-es villáskulcs vagy dugókulcs használatával, a rövid csavarokból négyet felhasználva erősítse a rögzítőlapot a rögzítőelem fő részéhez. Állítsa be az emelkedési szöveget, és 8,0 Nm-es nyomatékbeállítással szorítsa meg a csavarokat.



## Rögzítőelem (integrált)

- 1 Erősítse a rögzítőlapot a kültéri egység hátuljához; ehhez szükséges a négy csavar, valamint rugós és sima alátétek (mellékelve). Ügyeljen arra, hogy a rugós alátét a csavarfej és a sima alátét közé kerüljön. Szorítsa meg a csavarokat 5,0 Nm-es nyomatékbeállítással.
- 2 Az M8-as csavar, valamint rugós és sima alátétek használatával szerelje rá a rögzítőelem fő részét a rögzítőlapra. Ügyeljen arra, hogy a rugós alátét a csavarfej és a sima alátét közé kerüljön.
- 3 Húzza fel a kültéri egységet a rögzítési pozícióba.
- 4 A rögzítőelem-bilincs, M8-as csavarok, valamint rugós és sima alátétek használatával szerelje rá a rögzítőelem fő részét az oszlopra. Ügyeljen arra, hogy a rugós alátét a csavarfej és a sima alátét közé kerüljön. Ha egymásnak háttal szerelné fel ezt és a villámvédelmi egységet (LPU), akkor a bilincs helyett az LPU-t is használhatja.
- 5 A vizuális behangoláshoz állítsa be az emelkedést és az irányszöveget. Szorítsa meg a rögzítőelem mindhárom csavarját 8,0 Nm-es nyomatékúra.



**Figyelem!** Ne fordítsa meg a rögzítőelem bilincset (ahogy a fenti 7-es képen látható), mert az ilyen elrendezés a szerkezet meghibásodásához vezethet! Ne szorítsa túl a csavarokat, mert az a szerkezet meghibásodásához vezethet!



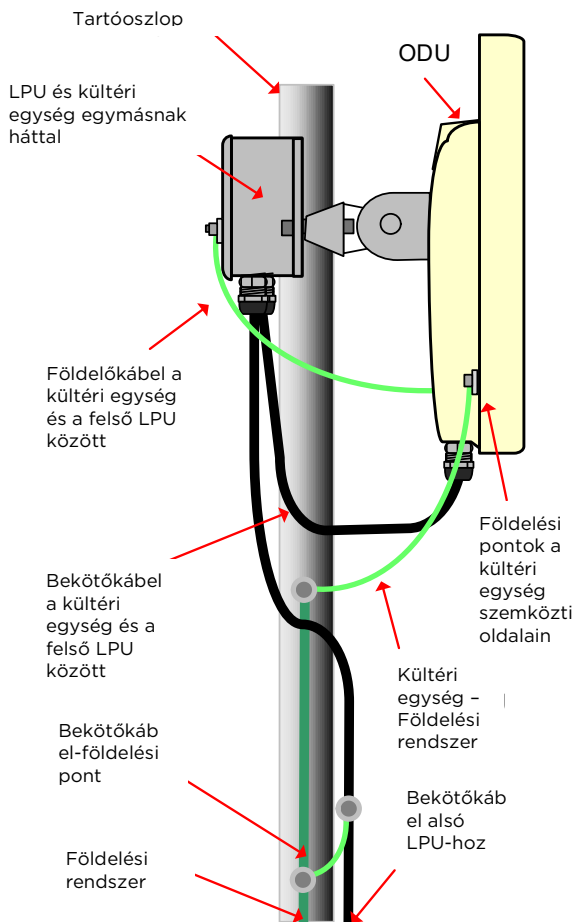
## A felső villámvédelmi egység felszerelése

A villámvédelmi egység (LPU) elkülönített felszereléséhez az LPU kitben lévő bilincscsavaros rögzítőelem használatával rögzítse a felső villámvédelmi egységet az oszlopra, a kültéri egység alá. Szorítsa meg 7,0 Nm-es nyomatkúra.

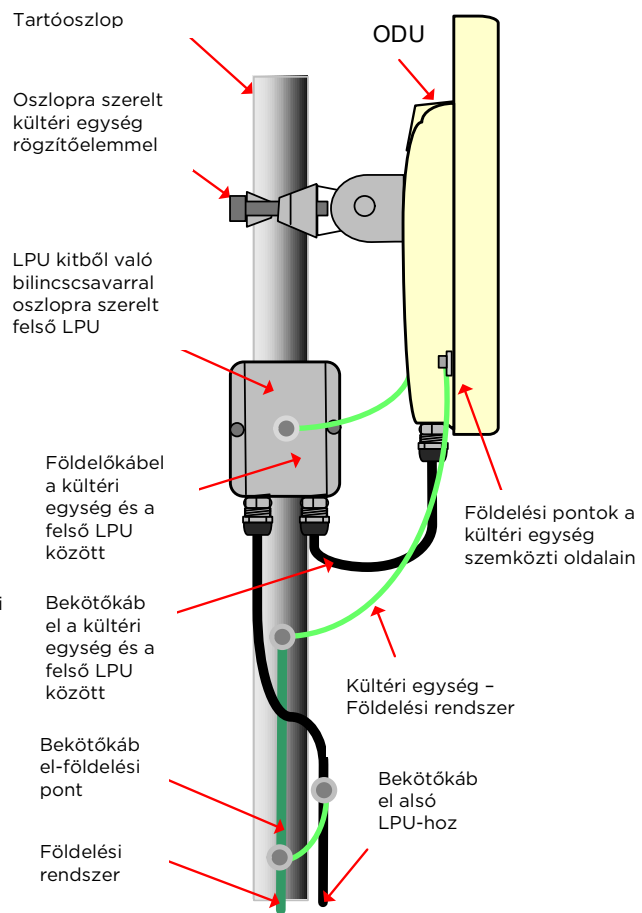


## A kültéri egység és a felső villámvédelmi egység egymáshoz való csatlakoztatása és földelése

1. lehetőség: egymásnak háttal



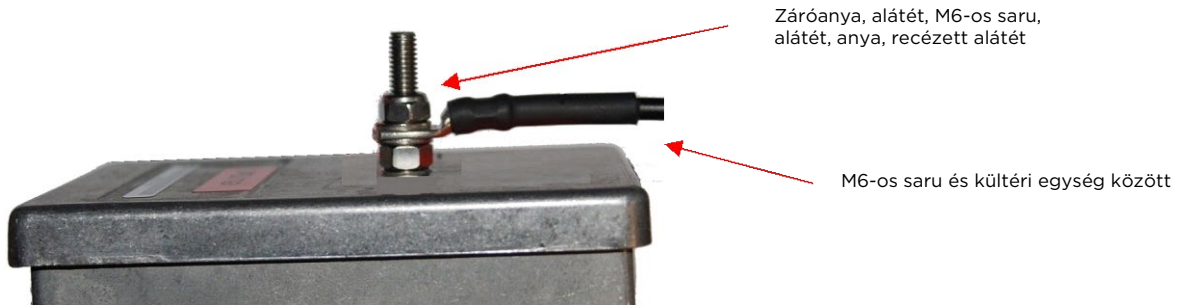
2. lehetőség: külön





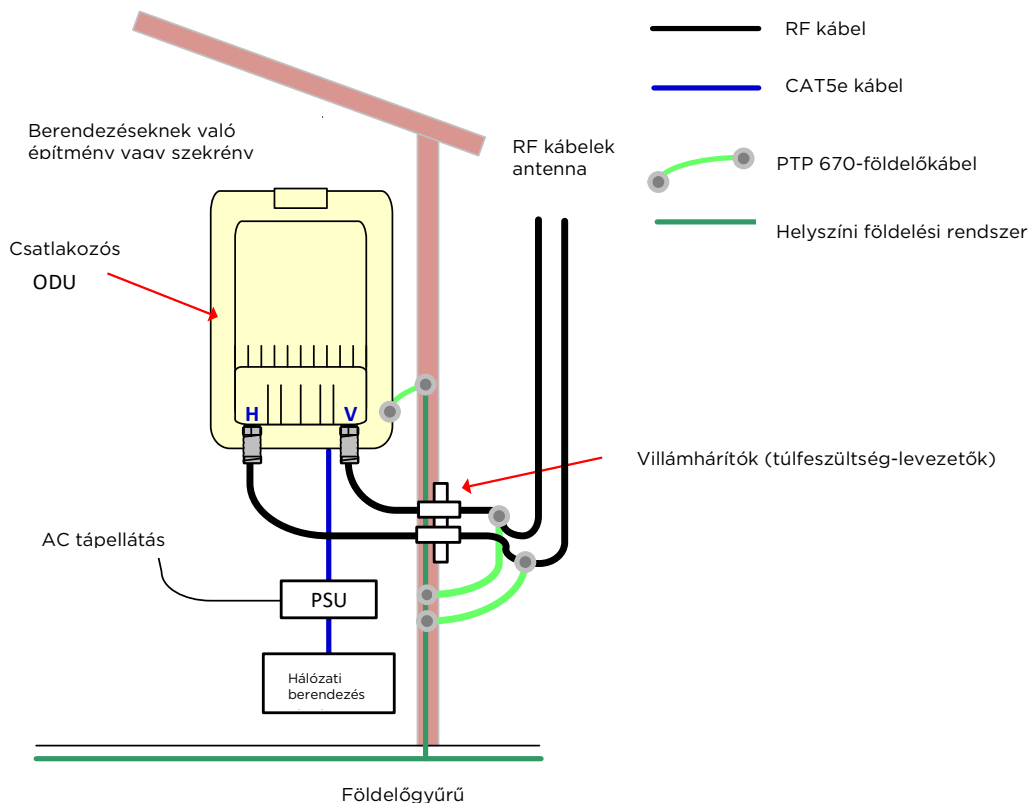
**Figyelem!** Ne csatlakoztassa a földelőkábeleket a kültéri egység rögzítőelemének a csavarjaihoz! Az nem fog teljes védelmet nyújtani.

- 1 Az M6-os (kicsi) saru használatával erősítse a kültéri egység földelőkábélét a felső LPU-hoz. Szorítsa mind a két anyát a megfelelő nyomatékúra, ami 5 Nm:

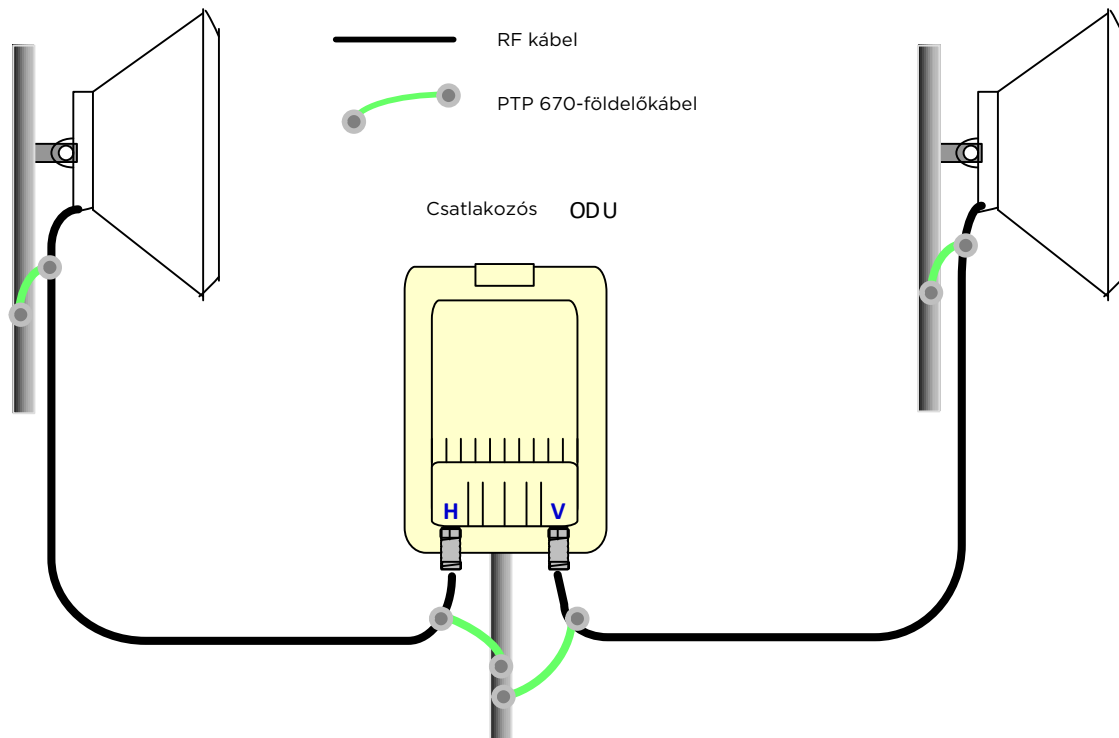


- 2 Válasszon egy torony- vagy építményföldelési, a kültéri egység rögzítőelemétől 0,3 méteren belüli pontot. Távolítsa el a felületről a festéket, és vigyen fel rá antioxidáns anyagot. Az M10-es (nagy) saru használatával erősítse a kültéri egység földelőkábélét ehhez a ponthoz.
- 3 Ha a helyi szabályok szerint az eszközöket egymástól függetlenül kell földelni, akkor a felső LPU-t egy további, harmadik földelőkábelrel közvetlenül csatlakoztassa a földelési rendszerhez.

## Külső antennák telepítése csatlakozóval ellátott kültéri egységhez



- 1 Az antenná(ka)t a gyártó utasításainak megfelelően szerelje fel. Ha a térbeli diverzitás érdekében különálló antennákat használnak, akkor az egyiket vízszintes, a másikat függőleges polarizációval szerelje fel.
- 2 Csatlakoztassa a kültéri egység V és H interfészét az antenná(k)hoz CNT-400 típusú RF kábellel (Cambium azonosítók: 30010194001 és 30010195001) és N típusú csatlakozókkal (Cambium azonosító: 09010091001). 24 mm-es csavarkulccsal/villáskulccsal szorítsa az N típusú csatlakozókat 1,7 Nm-es nyomatékúra.
- 3 Ha a kültéri egységet beltérbe szerelik fel, akkor a villámhárítót az épület belépési pontjához szereljük:
- 4 Az antennakábelek alsó végei közelében alakítson ki vízmentesítő („csepegtető”) hurkokat. Ezek arra szolgálnak, hogy a csatlakozók felé ne vezetődjön víz.
- 5 Ha a kültéri egységet kültérbe szerelik fel, akkor az N csatlakozókat időjárásállóvá kell tenni (amikor az antenna beállítása megtörtént), PVC szalag és önvulkanizáló gumi szalag használatával.
- 6 Az antennacsatlakozókat ugyanígy tegye időjárásállóvá (kivéve, ha az antenna gyártója más módszert határoz meg).
- 7 Földelje az antennakábeleket a tartó szerkezetre, a kültéri egységtől és az antennáktól 0,3 méteren belülre, a Cambium földelőkészlet (azonosítója 01010419001) használatával:



- 8 A jóváhagyott módszerek használatával rögzítse az antennakábeleket a tartó szerkezetre. Vigyázzon, hogy ne érje túlzott erőhatás a kültéri egység és az antenna csatlakozóit! Ügyeljen arra, hogy a kábeleket ne lebegtesse a szél; a mozgatott kábelek hajlamosak károsodni, és szándékolatlan vibrációkat kelthetnek a tartó szerkezetben.

## A réz Cat5e Ethernet interfész telepítése

A réz Cat5e Ethernet interfész telepítéséhez a következő eljárásrendek szerint járjon el:

- A kültéri egység és a felső LPU közötti bekötőkábel beszerelése – oldalszám: [214](#)
- A fő bekötőkábel beszerelése – oldalszám: [216](#)
- Az alsó LPU és a tápegység közötti bekötőkábel beszerelése – oldalszám: [218](#)
- A bekötőkábelben lévő ellenállás tesztelése – oldalszám: [219](#)



Figyelem! Hogy az elrendezés ne károsodjon, áram alatt lévő tápegység vagy hálózatvégződött berendezés esetén ne csatlakoztassa, és ne válassa le a bekötőkábelt!



Figyelem! Ne csatlakoztassa az SFP vagy Aux bekötőkábelt a tápegységhez, mert az kárt tehet a berendezésben!



Figyelem! Mindig géllal kitöltött, réz bevonatú acéllal árnyékolt Cat5e kábelt használjon! A Cambium Networks másféle Cat5e kábelek használatát nem támogatja. A Cambium Networkstől beszerezhető ilyen kábel (Cambium azonosítók: WB3175 és WB3176), RJ45 csatlakozók (Cambium azonosító: WB3177) és krimpelő (Cambium azonosító: WB3211). Az LPU + földelőkészlet csomag tartalmaz egy 0,6 méteres ilyen kábelt.

## A kültéri egység és a felső LPU közötti bekötőkábel beszerelése

Tömszelencék ráillesztése a kültéri egység és a felső LPU közötti bekötőkábelre

Illesszen EMC tehermentesítő kábeltömszelencéket (fekete sapkásokat) a csatlakozóval már ellátott, 0,6 méteres kábel mindkét végére. Az LPU + földelőkészlet csomag tartalmazza ezeket.

- 1 Szerelje szét a tömszelencét, és csavarja rá mindegyik részt a kábelre (a gumi betét vágott kialakítású). Szerelje össze a rugós klipszet és a gumi betétet.



- 2 Illessze a részeket be a tömszelencetestbe, és egy 24 mm-es csavarkulcs/villáskulcs használatával gyengén csavarjon rá a tömszelence anyájjára (ne szorítsa rá):



## A bekötőkábel csatlakoztatása a kültéri egységhez (PSU port) és az LPU-hoz

- 1 (a) Dugja az RJ45 csatlakozót az egységben lévő aljzatba úgy, hogy az a helyére kattanjon.  
 (b) Illessze a tömszelencet az RJ45 porthoz, és szorítsa 5,5 Nm-es nyomatékúra:

(a)



(b)



- 2 (a) Illessze fel a tömszelence anyáját, és szorítsa rá annyira, hogy a gumi tömítés a kábelre záródjon.  
 (b) Ne szorítsa meg túlzottan a tömszelence anyáját, mert károsodhatnak a belső részei:

(a)



(b)  
Helyes



Helytelen



## Bekötőkábel leválasztása az LPU-ról vagy kültéri egységről

Ezt az eljárást alkalmazza, ha a kültéri egységből (a szemléltetés szerint) vagy az LPU-ból el kell távolítani egy EMC tehermentesítő kábeltömszelencét és RJ45 csatlakozót.

- 1 (a) Ezt az eljárást alkalmazza, ha a kültéri egységből (a szemléltetés szerint) vagy az LPU-ból el kell távolítani egy EMC tehermentesítő kábeltömszelencét és RJ45 csatlakozót. Amikor a feszülés a tömszelencettestben megszűnt, rés nyílik a szemléltetett ponton. Csavarja ki a tömszelencettestet.
- (b) Egy kis csavarhúzóval nyomja meg az RJ45-zárófület, majd húzza ki az RJ45 csatlakozót.

(a)



(b)



## A fő bekötőkábel beszerelése



**Figyelmeztetés** A bekötőkábel fém árnyékolása nagyon éles, személyi sérülést okozhat.

- MINDIG viseljen vágásálló kesztyűt (nézze meg a címkéjén, hogy vágásálló-e)!
- MINDIG viseljen védőszemüveget!
- MINDIG rotációs célszerszámot használjon a kábel csupaszításához (pengés kést NE használjon)!



**Figyelmeztetés** Ha nem a következő elvek betartásával jár el, az sérülést vagy halált okozhat:

- A telepítés alatt lévő kábelhez megfelelő emelőfogantyút (hoisting grip) használjon! Ha nem a megfelelő emelőfogantyút használják, az megcsúszást vagy elégtelen tartóerőt eredményezhet.
- Az emelőfogantyúkat nem szabad többször használni. A használt fogantyúk veszíthetnek az elasztikusságukból, megnyúlhatnak, vagy meggyengülhetnek. Fogantyú újbóli használata következtében a kábel lecsúszhat, megszakadhat, és le is eshet.
- A minimális előírás: 60 m kábelenként egy-egy emelőfogantyú.

## Hosszra vágás és emelőfogantyúk illesztése

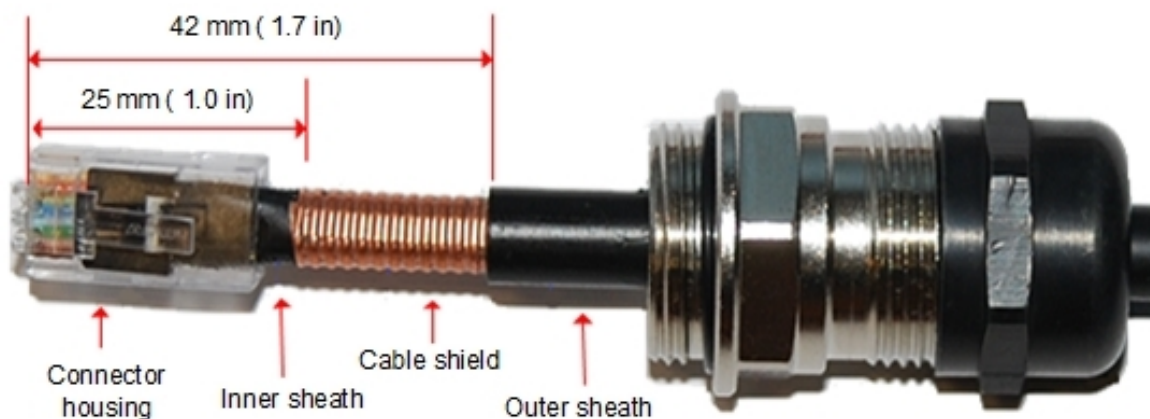
- 1 Vágja hosszra a fő bekötőkábelt, a felső LPU-tól az alsó LPU-ig.
- 2 Csúsztasson egy vagy több emelőfogantyút a bekötőkábel felső végére.
- 3 Erősítse az emelőfogantyút a kábelre egy célszerszámmal, a gyártó által javasolt módon.

## RJ45 csatlakozók és tömszelencék felszerelése a kábelre



Figyelem! Ellenőrizze, hogy a krimpelő az RJ45 csatlakozóhoz való-e; máskülönben a kábel vagy a csatlakozó károsodhat.

- 1 Fűzze rá a kábeltömszelencét (fekete sapkást) a fő bekötőkábelre.
- 2 Fejtse le a kábel külső köpenyét, és illessze fel az RJ45 csatlakozó érterelőjét (load bar).
- 3 Illessze rá az RJ45 csatlakozó külső részét a szemléltetett módon. A hathatós tehermentesítés érdekében a kábel belső köpenye a csatlakozó külső részének a nyaka alatt helyezkedjen el. Ne szorítsa rá a tömszelencére az anyáját!



## A fő bekötőkábel emelése és rögzítése



**Figyelmeztetés** Ha nem a következő elvek betartásával jár el, az sérülést vagy halált okozhat:

- A kábelt csak az emelőfogantyú használatával emelje! Ha egyszerre több kábelt próbál emelni, attól az emelőfogantyú elszakadhat, vagy leeshetnek a kábelek.
- A kábel leeresztéséhez csak akkor használja az emelőfogantyút, ha a rögzítő (clamp) már stabilan a helyén van!
- Emelés közben tartsa fenn az emelőfogantyú feszességét! Ha a feszesség gyengül, az a kábel veszélyes elmozdulását okozhatja, és a személyzet sérülését vagy halálát eredményezheti.
- Csak akkor engedje lazábbra a fogantyút, amikor a megfogási részét (handle) már ráerősítették a tartó szerkezetre.
- Ne fejtsen ki semmilyen erőt az RJ45 csatlakozókra!



Figyelem! Ne helyezze el a bekötőkábelt villámhárító mentén!

- 1 Emelje fel a fő bekötőkábel felső végét a felső LPU-hoz, az emelőgyártó utasításainak megfelelően. Amikor a kábel a helyén van, erősítse a fogantyú megfogási részét a tartó szerkezetre, és távolítsa el az emelőkötelet.

- 2 A következő eljárásrend szerint csatlakoztassa a fő bekötőkábelt a felső LPU-hoz Csatlakoztassa a bekötőkábelt a kültéri egységhez (PSU port) és az LPU-hoz – oldalszám: 18.
- 3 Vezesse a fő bekötőkábelt az alsó LPU helyéhez.
- 4 A jóváhagyott módszerek használatával csatlakoztassa a fő bekötőkábelt a tartó szerkezetre.

## A fő bekötőkábel földelése

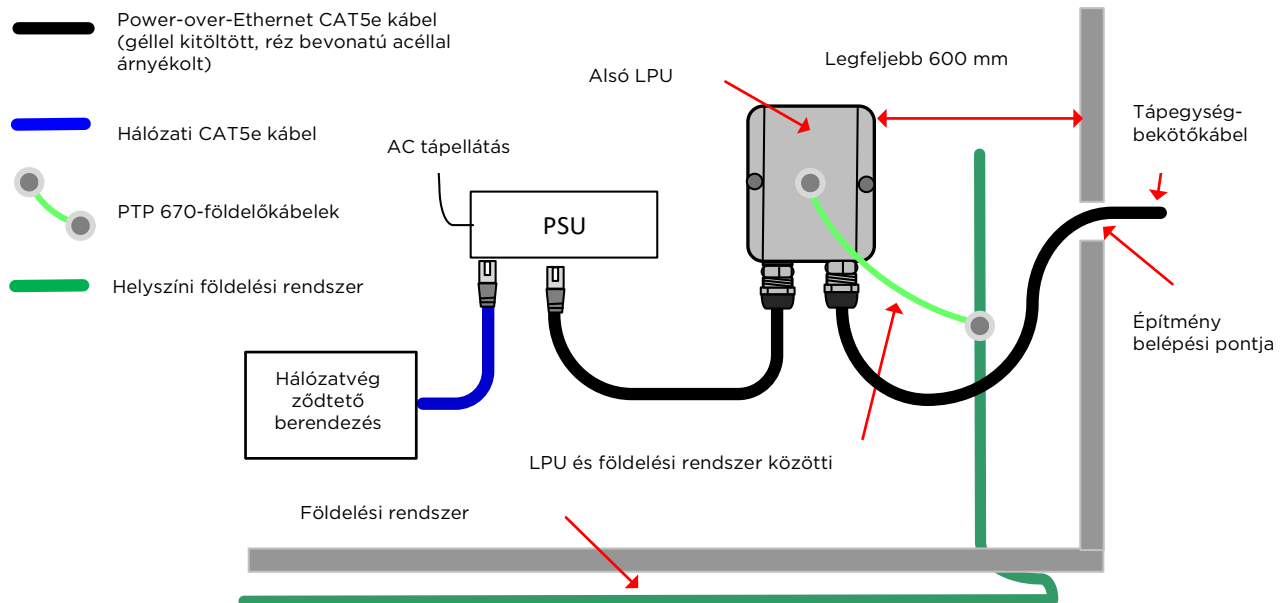
Mindegyik szükséges földelési ponton csatlakoztassa a fő bekötőkábel árnyékolását a tartó szerkezet fémjéhez, a kábel földelő készlet használatával (Cambium azonosítója: 01010419001).

## Az alsó LPU és a tápegység közötti bekötőkábel beszerelése

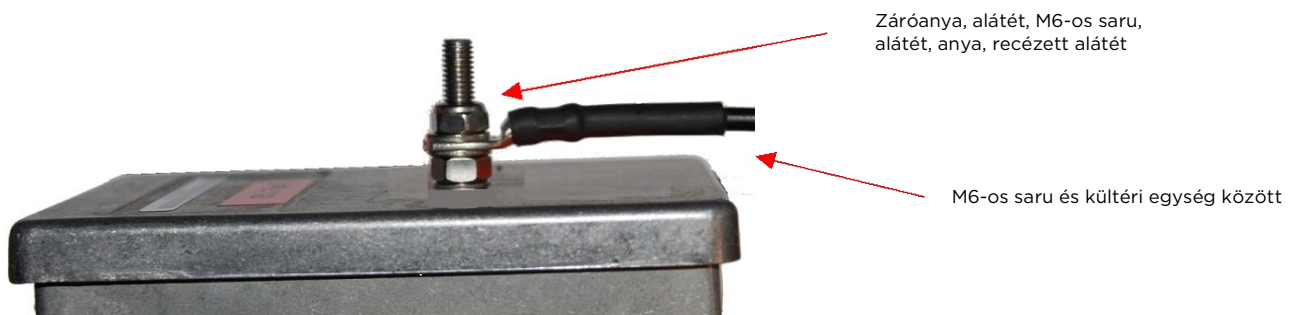
### Az alsó LPU beszerelése

Telepítse az alsó LPU-t, földelje, és csatlakoztassa a fő bekötőkábelhez.

- 1 Jelöljön ki az alsó LPU számára egy rögzítési pontot, az építmény belépési pontjától 0,6 méteren belül. Függetlenül szerelje fel az LPU-t; úgy, hogy a kábel tömszelencék lefelé legyenek.



- 2 A következő eljárásrend szerint csatlakoztassa a fő bekötőkábelt az alsó LPU-hoz Csatlakoztassa a bekötőkábelt a kültéri egységhez (PSU port) és az LPU-hoz – oldalszám: 18.
- 3 Az M6-os (kicsi) saru használatával erősítsen egy földelőkábel az alsó LPU-hoz. Szorítsa mind a két anyát 5 Nm nyomatékúra:





- 4 Jelöljön ki egy építmény-földelési pontot az LPU-rögzítőelem közelében. Távolítsa el a felületről a festéket, és vigyen fel rá antioxidáns anyagot. Az M10-es (nagy) saru használatával erősítse fel az LPU földelőkábelét.

## Az LPU és a tápegység közötti bekötőkábel beszerelése

Ezt a módszert használva az alsó LPU és a tápegység közötti bekötőkábel mindkét végére szereljen RJ45 csatlakozót, az LPU végre kábeltömszelencével.



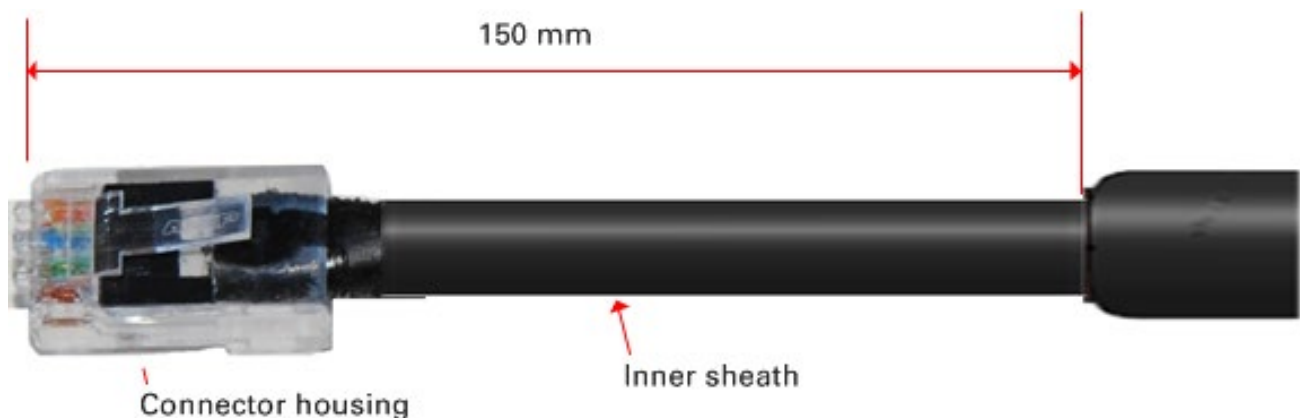
Figyelmeztetés A bekötőkábel fém árnyékolása nagyon éles, személyi sérülést okozhat.

- MINDIG viseljen vágásálló kesztyűt (nézze meg a címkéjén, hogy vágásálló-e)!
- MINDIG viseljen védőszemüveget!
- MINDIG rotációs célszerszámot használjon a kábel csupaszításához, ne pengés kést!



Figyelem! Ellenőrizze, hogy a krimpelő az RJ45 csatlakozóhoz való-e; máskülönben a kábel vagy a csatlakozó károsodhat.

- 1 Vágja hosszra az alsó LPU és a tápegység közé illesztendő bekötőkábelt.
- 2 Csak az LPU végnél:
  - Illesszen rá egy kábeltömszelencét és egy RJ45 csatlakozót a megadott eljárásrend szerint: RJ45 csatlakozók és tömszelencék felszerelése a kábelre – oldalszám: 19.
  - A következő eljárásrend szerint csatlakoztassa ezt a kábelt és a tömszelencét az alsó LPU-hoz Csatlakoztassa a bekötőkábelt a kültéri egységhez (PSU port) és az LPU-hoz – oldalszám: 18.
- 3 **Csak a tápegységi végnél:** Ne tegyen rá kábeltömszelencét. Fejtse le a kábel külső köpenyét, és illessze fel az RJ45 csatlakozó érterelőjét (load bar). Illessze rá az RJ45 csatlakozó külső részét. A hathatós tehermentesítés érdekében a kábel belső köpenye a csatlakozó külső részének a nyaka alatt helyezkedjen el:



## A bekötőkábelben lévő ellenállás tesztelése

Csatlakoztassa a réz Cat5e bekötőkábel alsó végét egy ahhoz megfelelő bekötőkábel-teszterhez, és ellenőrizze, hogy az érintkezők közötti ellenállás az alábbi táblázatban meghatározott, megfelelő határértékek között van-e. Ha valamelyik teszt eredménye nem megfelelő, vizsgálja át a bekötőkábelt, hogy hol vannak huzalozási hibák.

Ellenállásmérés ezek között:	Írja be a mért ellenállást:	Jó teszteredmény esetén az ellenállás:	Karikázza be, hogy „jó” vagy „hibás”:	További tesztek és megjegyzések
1. és 2. érintkező	Ohm	<20 Ohms (60 Ohm) (*1)	„jó” „hibás”:	
3. és 6. érintkező	Ohm	<20 Ohm (60 Ohm) (*1)	„jó” „hibás”:	Az ellenállások elvárt eltérése egymástól legfeljebb 10% (*2). Karikázza be, hogy ebből a szempontból „jó” vagy „hibás”:
4. és 5. érintkező	Ohm	<20 Ohm (60 Ohm) (*1)	„jó” „hibás”:	„jó” „hibás”:
7. és 8. érintkező	Ohm	<20 Ohm (60 Ohm) (*1)	„jó” „hibás”:	
1. érintkező és árnyékolás (kültéri egység földelése)	kiloohm	>100 kiloohm	„jó” „hibás”:	Ezek a határértékek érvényesek a kábel hosszától függetlenül.
8. érintkező és árnyékolás (kültéri egység földelése)	kiloohm	>100 kiloohm	„jó” „hibás”:	

(\*1) Ha a kábel Ethernetet visz, akkor legfeljebb 20 ohmos ellenállás megengedett.

Legfeljebb 60 ohmos ellenállás megengedett akkor, ha a kábel csak a kültéri egység tápellátását látja el (vagyis ha az Ethernetet egy másik kültéregység-interfész viszi).

(\*2) Győződjön meg arról, hogy ezek az ellenállások egymástól legfeljebb 10%-ban térnek el: szorozza meg a legkisebb ellenállást 1,1-del, és ha az eredményél bármely másik ellenállás nagyobb, akkor a teszt eredménye: „hibás”.

## A tápegység telepítése

A következő típusú tápegységek egyikét telepítse (a telepítési tervben foglaltaknak megfelelően):

- AC Power Injector (Cambium azonosító: N000065L001C).
- AC+DC Enhanced Power Injector (Cambium azonosító: C000065L002C).



Figyelem! Mivel a tápegység nem vízálló, nedvességtől védett helyre kell elhelyezni; akár a berendezéseknek való építménybe, akár egy szellőztetett nedvességálló burkolatba.



Ne helyezték a tápegységet olyan helyre, ahol a számára megengedett hőmérsékletnél melegebb is lehet! Figyelem! A tápegység kültéri egységi (ODU) portjába ne dugjon más eszközt, mint a PTP 650, PTP 670 vagy PTP 700 kültéri egység! Mivel a tápegység és a kültéri egység közötti Ethernet kapcsolatba történő DC-injektálás módja a szokványostól eltérő, az egyéb eszközök károsodhatnak.

A kültéri egység tápegységi (PSU) portjába ne dugjon más eszközt, mint a PTP 670 tápegység! Ha bármilyen más eszközt dug a kültéri egység PSU portjába, az károsíthatja a kültéri egységet és a másik eszközt is.

## Az AC Power Injector telepítése

Az AC Power Injector (Cambium azonosító: N000065L001C) telepítését a következő eljárásrend szerint végezze:

- 1 Alakítson ki vízmentesítő („csepegtető”) hurkot az LPU és a tápegység közötti bekötőkábel tápegységi végén. A vízmentesítő hurok arra szolgál, hogy a nedvesség, ami lefolyik a kábelben, ne juthasson be a tápegységbe.
- 2 (a) Helyezze az AC Power Injectort vízszintes felületre. Dugja az LPU és a tápegység közötti bekötőkábelt a tápegység ODU feliratú portjába.  
(b) Amikor a rendszer készen áll a hálózati kapcsolódásra, csatlakoztassa a hálózati Cat5e kábelt a tápegység LAN portjához:

(a)



(a)



## Az AC+DC Enhanced Power Injector telepítése

Az AC+DC Enhanced Power Injector (Cambium azonosító: C000065L002C) telepítését a következő eljárásrend szerint végezze:

- 1 Rögzítse az AC+DC Enhanced Power Injectort: csavarozza rá egy függőleges vagy vízszintes felületre a négy csavarfurat használatával (két furat bekarikázva):



- 2 Alakítson ki vízmentesítő („csepegtető”) hurkot az LPU és a tápegység közötti bekötőkábel tápegységi végén. A vízmentesítő hurok arra szolgál, hogy a nedvesség, ami lefolyik a kábelen a szekrénybe vagy burkolatba, ne juthasson be a tápegységbe.
- 3 (a) Csavarja ki a tartócsavart, billentse hátra a fedelet, és dugja a bekötőkábelt a portba.  
 (b) Zárja le a fedelet, és rögzítse a csavarral.  
 (c) Amikor a rendszer készen áll a hálózati kapcsolódásra, csatlakoztassa a hálózati Cat5e kábelt a tápegység LAN portjához:

(a)



(b) és (c)



## A kültéri egység konfigurálása EU-beli üzemeltetésre

### Országspecifikus licenckulcs generálása

A PTP 670 szériában licenckulccsal lehet új funkciókat aktiválni, valamint kültéri egység szabályozói beállításait módosítani. Az új licenckulcs révén bele fognak kerülni az adott országban megengedett szabályozói sávok. Ezt az eljárást alkalmazva generálja le a licenckulcsot.

#### Eljárás:

- 1 Nyissa meg böngészőben a Cambium támogatási központot:  
<https://support.cambiumnetworks.com/licensekeys/ptp50670>
- 2 Adja meg a kültéri egység MAC-címét, és jelölje meg, hogy melyik országba fogják telepíteni a PTP összeköttetést.
- 3 A használati feltételek elfogadását követően kattintson a jóváhagyó (Submit) opcióra.
- 4 Keresse meg a kültéri egységet MAC-cím alapján, és másolja ki a generált licenckulcsot a licenckulcsokat tartalmazó (License Keys) oldalról.
- 5 Mentse el a licenckulcsot későbbi használatra (például egy szövegfájlba beillesztve, majd azt elmentve).

### A kezelési PC számítógép konfigurálása

Ezt az eljárást alkalmazva konfigurálja be a helyi kezelési PC-t, hogy az kommunikáljon a PTP 670 eszközzel.

#### Eljárás:

- 1 Jelölje ki az Ethernet portra vonatkozó tulajdonságokat (Properties). Windows 10 esetén: Vezérlőpult > Hálózat és internet > Hálózati és megosztási központ > Az adapter beállításainak módosítása. Kattintson jobb gombbal az Ethernet adapternek megfelelő ikonra, és válassza a Tulajdonságok opciót.
- 2 Jelölje ki „A TCP/IP protokoll 4-es verziója” vagy „Internet Protocol Version 4” (TCP/IPv4) elemet:
- 3 Kattintson a Tulajdonságok (Properties) gombra.
- 4 Adjon meg egy, a 169.254.X.X hálózatnak megfelelő IP-címet; kerülendő a 169.254.0.0 és a 169.254.1.1. Egy jó példa: 169.254.1.3.
- 5 Adjon meg egy alhálózati maszkot: 255.255.0.0. Az alapértelmezett átjárót hagyja üresen.

### A kültéri egység csatlakoztatása a PC-hez és áram alá helyezés

Ezt az eljárást alkalmazva csatlakoztasson egy kezelési PC-t, és helyezze áram alá a PTP 670 eszközt.

#### Eljárás:

- 1 Ellenőrizze, hogy a kültéri egység és a tápegység helyesen van-e csatlakoztatva.
- 2 Csatlakoztassa a PC Ethernet portját a tápegység LAN portjához normál (egyeneskötésű) Ethernet-kábellel.
- 3 Helyezze áram alá a tápegységet (konnektorból vagy akkumulátorral). Ha sikerült, a zöld Power led folyamatosan világít.
- 4 Körülbelül 45 másodperc elteltével vegye észre, hogy a narancssárga Ethernet led 10 lassú felvillanással indít.
- 5 Ellenőrizze, hogy ezt követően az Ethernet led folyamatosan világít-e.

### Bejelentkezés a webes felületre

Ezt az eljárást alkalmazva jelentkezzen be a webes felületre rendszergazdaként (system administrator).

**Eljárás:**

- 1** A kezelési PC-n indítsa el a webes böngészőprogramot.
- 2** Gépelje be az egység IP címét a címmezőbe. A gyárilag beállított IP-cím 169.254.1.1. Nyomja meg az ENTER-t. Megjelenik a webes felület menüje és a rendszer áttekintése (System Summary) oldal.
- 3** A menüben kattintson a telepítés (Installation) opcióra. A bejelentkezési oldal alapesetben csak jelszót kér (Password); de lehet, hogy felhasználónevet (Username) is, amennyiben engedélyezték a személyazonosság alapú felhasználói fiókokat. Gyári beállítás esetén nincs jelszó.
- 4** Gépeljen be egy felhasználónevet (ha a rendszer kéri) és egy jelszót (eredetileg a jelszó üresen van hagyva), és kattintson a bejelentkezés (Login) opcióra.

## A licenckulcs frissítése a kültéri egység konfigurálása

Ezt az eljárást alkalmazva telepítsen új licenckulcsot, és konfiguráljon be egy csatlakozós kültéri egységben lévő antennanyereséget és a kábelveszteséget.

**Eljárás:**

- 1** A menüben kattintson a telepítés (Installation) opcióra. Kattintson a telepítési varázsló (Continue to Installation Wizard) lehetőségre.
- 2** A szoftver-licenckulcs (Software License Key) oldalon illessze be a licenckulcsot a megfelelő (License Key) attribútumhoz. Kattintson a jóváhagyó vagy a formázási (Submit vagy Format) opcióra.
- 3** Integrált kültéri egység esetén az egymást követő oldalakon lépeghessen tovább (Next), amíg meg nem jelenik a vezeték nélküli kapcsolat konfigurálása (Wireless Configuration) oldal. A választott sávban való üzemeltetéshez állítsa be a szabályozói sáv (Regulatory Band) és a maximális adóteljesítmény (Maximum Transmitter Power) attribútumot. Vegye figyelembe, hogy némelyik EU-tagállamban lehet, hogy csak az 5,4 GHz-es sáv áll rendelkezésre.

Az egymást követő oldalakon lépeghessen tovább (Next), amíg meg nem jelenik a telepítés konfigurációjának a megerősítése (Confirm Installation Configuration) oldal. Kattintson a konfiguráció elfogadása és újraindítás (Confirm Configuration and Reboot) opcióra.

- 4** Csatlakozóval ellátott kültéri egység esetén az egymást követő oldalakon lépeghessen tovább (Next), amíg meg nem jelenik a vezeték nélküli kapcsolat konfigurálása (Wireless Configuration) oldal. A telepítésben alkalmazott antennáknak és kábeleknak megfelelően állítsa be a szabályozói sáv (Regulatory Band), antennanyereség (Antenna Gain), kábelveszteség (Cable Loss) és maximális adóteljesítmény (Maximum Transmitter Power) attribútumot. Vegye figyelembe, hogy némelyik EU-tagállamban lehet, hogy csak az 5,4 GHz-es sáv áll rendelkezésre.

Az egymást követő oldalakon lépeghessen tovább (Next), amíg meg nem jelenik a telepítés konfigurációjának a megerősítése (Confirm Installation Configuration) oldal. Kattintson a konfiguráció elfogadása és újraindítás (Confirm Configuration and Reboot) opcióra.

# Cambium Networks

A Cambium Networks professzionális kategóriájú rögzített vezeték nélküli szélessávú és mikrohullámú megoldásokat nyújt az ügyfeleinek szerte a világon. A megoldásaink több, mint 153 országban, több ezer hálózatba telepítve vannak. Az újító jellegű technológiáink megbízható, biztonságos, költségkímélő összeköttetéseket tesznek lehetővé. Azokat könnyen a helyszínekre lehet telepíteni, és igazoltan kiemelkedően teljesítenek.

A díjnyertes Point-to-Point (PTP) rádió megoldásaink licencelt, licenceletlen és meghatározott célú frekvenciasávokban üzemelnek; vannak köztük konkrét FIPS 140-2 megoldások is, a U.S. Federal piac számára. A PTP megoldásainkat 99,999%-os rendelkezésre álláshoz robusztussá tettük, így mindaddig a legkörülményesebb rálátás nélküli RF környezetekben is kifogástalanul szolgáltató megbízható nagy sebességű backhaul összeköttetést.

A rugalmas Point-to-Multipoint (PMP) megoldásaink a licencelt, licenceletlen és szövetségi frekvenciasávokban üzemelnek; megbízható, biztonságos, költségkímélő hozzáférési hálózatokat biztosítva. Világszerte több, mint hárommillió modul van telepítve, ezáltal a PMP hozzáférési hálózat megoldásaink mindennap bizonyítanak a lakossági hozzáférés, bérelt vonalak kiváltása, a videós megfigyelés és a smart grid infrastruktúra alkalmazások terén.

A Cambium Networks megoldások bizonyítottak, és elismerten élen járnak a széles sávú vezeték nélküli kommunikáció ágazatában. Újító jellegű adat-, beszédhang- és videó-összeköttetés megoldásokat tervezünk, telepítünk és szolgáltatóunk, amelyekkel biztosítható a mindennapi kommunikáció, szinte mindenütt elősegítve a személyes, üzleti és közösségi gyarapodást.

Használati útmutatók:	<a href="http://www.cambiumnetworks.com/guides">http://www.cambiumnetworks.com/guides</a>
Műszaki képzés:	<a href="http://www.cambiumnetworks.com/technical_training">http://www.cambiumnetworks.com/technical_training</a>
Támogatási webhely:	<a href="https://support.cambiumnetworks.com">https://support.cambiumnetworks.com</a>
Honlap:	<a href="http://www.cambiumnetworks.com">http://www.cambiumnetworks.com</a>
Forgalmazással kapcsolatban:	<a href="mailto:solutions@cambiumnetworks.com">solutions@cambiumnetworks.com</a>
Támogatással kapcsolatban:	<a href="https://support.cambiumnetworks.com">https://support.cambiumnetworks.com</a>
Telefonszámlista:	<a href="http://www.cambiumnetworks.com/contact-us/">http://www.cambiumnetworks.com/contact-us/</a>
Cím:	Cambium Networks Limited, Linhay Business Park, Eastern Road, Ashburton, Devon, UK (Egyesült Királyság), TQ13 7UP

phn-4835 000v002

2018. december