



XH2-240 Installation Guide

November 2019



Accuracy

While reasonable efforts have been made to assure the accuracy of this document, Cambium Networks assumes no liability resulting from any inaccuracies or omissions in this document, or from use of the information obtained herein. Cambium reserves the right to make changes to any products described herein to improve reliability, function, or design, and reserves the right to revise this document and to make changes from time to time in content hereof with no obligation to notify any person of revisions or changes. Cambium does not assume any liability arising out of the application or use of any product, software, or circuit described herein; neither does it convey license under its patent rights or the rights of others. It is possible that this publication may contain references to, or information about Cambium products (machines and programs), programming, or services that are not announced in your country. Such references or information must not be construed to mean that Cambium intends to announce such Cambium products, programming, or services in your country.

Copyrights

This document, Cambium products, and 3rd Party software products described in this document may include or describe copyrighted Cambium and other 3rd Party supplied computer programs stored in semiconductor memories or other media. Laws in the United States and other countries preserve for Cambium, its licensors, and other 3rd Party supplied software certain exclusive rights for copyrighted material, including the exclusive right to copy, reproduce in any form, distribute and make derivative works of the copyrighted material. Accordingly, any copyrighted material of Cambium, its licensors, or the 3rd Party software supplied material contained in the Cambium products described in this document may not be copied, reproduced, reverse engineered, distributed, merged or modified in any manner without the express written permission of Cambium. Furthermore, the purchase of Cambium products shall not be deemed to grant either directly or by implication, estoppel, or otherwise, any license under the copyrights, patents or patent applications of Cambium or other 3rd Party supplied software, except for the normal non-exclusive, royalty free license to use that arises by operation of law in the sale of a product.

Restrictions

Software and documentation are copyrighted materials. Making unauthorized copies is prohibited by law. No part of the software or documentation may be reproduced, transmitted, transcribed, stored in a retrieval system, or translated into any language or computer language, in any form or by any means, without prior written permission of Cambium.

License Agreements

The software described in this document is the property of Cambium and its licensors. It is furnished by express license agreement only and may be used only in accordance with the terms of such an agreement.

High Risk Materials

Cambium and its supplier(s) specifically disclaim any express or implied warranty of fitness for any high risk activities or uses of its products including, but not limited to, the operation of nuclear facilities, aircraft navigation or aircraft communication systems, air traffic control, life support, or weapons systems ("High Risk Use"). Any High Risk is unauthorized, is made at your own risk and you shall be responsible for any and all losses, damage or claims arising out of any High Risk Use.

Contacting Cambium Networks

Support website:	https://support.cambiumnetworks.com
Main website:	https://www.cambiumnetworks.com
Sales enquiries:	solutions@cambiumnetworks.com
Support enquiries:	https://support.cambiumnetworks.com
Repair enquiries:	https://support.cambiumnetworks.com
Telephone number list:	https://www.cambiumnetworks.com/support/contact-support
Address:	Cambium Networks Limited, Linhay Business Park, Eastern Road, Ashburton, Devon, UK, TQ13 7UP

Problems and warranty

Reporting problems

If any problems are encountered when installing or operating this equipment, follow this procedure to investigate and report:

1. Search this document and the software release notes of supported releases.
2. Visit the support website.
3. Ask for assistance from the Cambium Networks product supplier.
4. Gather information from affected units, such as any available diagnostic downloads.
5. Escalate the problem by emailing or telephoning support.

Repair and service

If unit failure is suspected, obtain details of the Return Material Authorization (RMA) process from the support website.

Hardware warranty

Cambium Networks's standard hardware warranty is for one (1) year from date of shipment from Cambium Networks or a Cambium distributor. Cambium Networks warrants that hardware will conform to the relevant published specifications and will be free from material defects in material and workmanship under normal use and service. Cambium Networks shall within this time, at its own option, either repair or replace the defective product within thirty (30) days of receipt of the defective product. Repaired or replaced product will be subject to the original warranty period but not less than thirty (30) days.

To register PTP products or activate warranties, visit the support website. For warranty assistance, contact the reseller or distributor.



CAUTION

Using non-Cambium Networks parts for repair could damage the equipment or void warranty. Contact Cambium Networks for service and repair instructions.

Portions of Cambium Networks equipment may be damaged from exposure to electrostatic discharge. Use precautions to prevent damage.

Security advice

Cambium Networks systems and equipment provide security parameters that can be configured by the operator based on their particular operating environment. Cambium recommends setting and using these parameters following industry recognized security practices. Security aspects to be considered are protecting the confidentiality, integrity, and availability of information and assets. Assets include the ability to communicate, information about the nature of the communications, and information about the parties involved.

In certain instances Cambium Networks makes specific recommendations regarding security practices, however the implementation of these recommendations and final responsibility for the security of the system lies with the operator of the system.

Warnings, cautions, and notes

The following describes how warnings and cautions are used in this document and in all documents of the Cambium Networks document set.

Warnings

Warnings precede instructions that contain potentially hazardous situations. Warnings are used to alert the reader to possible hazards that could cause loss of life or physical injury. A warning has the following format:



Warning: Warning text and consequence for not following the instructions in the warning.

Cautions

Cautions precede instructions and are used when there is a possibility of damage to systems, software, or individual items of equipment within a system. However, this damage presents no danger to personnel. A caution has the following format:



CAUTION: Caution text and consequence for not following the instructions in the caution.

Notes

A note means that there is a possibility of an undesirable situation or provides additional information to help the reader understand a topic or concept. A note has the following format:



Note text.

Caring for the environment

The following information describes national or regional requirements for the disposal of Cambium Networks supplied equipment and for the approved disposal of surplus packaging.

In EU countries

The following information is provided to enable regulatory compliance with the European Union (EU) directives identified and any amendments made to these directives when using Cambium Networks equipment in EU countries.



Disposal of Cambium Networks equipment

European Union (EU) Directive 2002/96/EC Waste Electrical and Electronic Equipment (WEEE)

Do not dispose of Cambium Networks equipment in landfill sites. For disposal instructions, refer to <http://www.cambiumnetworks.com/support/weee-compliance>.

Disposal of surplus packaging

Do not dispose of surplus packaging in landfill sites. In the EU, it is the individual recipient's responsibility to ensure that packaging materials are collected and recycled according to the requirements of EU environmental law.

In non-EU countries

In non-EU countries, dispose of Cambium Networks equipment and all surplus packaging in accordance with national and regional regulations.

Quick Installation Guide

XH2-240 Hardened Wireless Access Point

The XH2-240 (Model XH2240) provides two 4x4 802.11ac Wave 2 radios in a hardened case for installation outdoors and in other harsh environments. Radio 1 is dual-band (2.4 GHz and 5GHz), and Radio 2 is 5GHz only. This guide describes how to install the XH2-240 on a pole or wall and execute the initial power up of the AP. The pole or wall can be a structure that is at ground level or on a roof. The XH2 is not compatible with other Cambium Xirrus mounting options.



This document is intended ONLY for XH2-240 APs. For other models please see the installation guide for that model.

1

You Need the Following Items

- ◆ Professional Installation Required—regulatory requirements for the XH2-240 mandate that the device be installed and configured for use by trained professionals only. Direct questions regarding installation and use of the products to Cambium Networks Customer Support (see [Contacting Cambium Networks](#)).
- ◆ Accessory Kit (included in each AP carton) includes:
 - ◆ Wall mounting bracket with four AP attachment screws, and four drywall anchors with accompanying #8, 3/4" Phillips screws. Screws are all corrosion-resistant stainless steel.
 - ◆ Grounding lug and wire.
 - ◆ Two metal bands for pole attachment (fits 1" to 2" / 25 mm to 50 mm pole diameter)
- ◆ If using hardware other than that provided with the AP, you need appropriate tools, bands, screws, and/or anchors for the desired mounting location and surface type. Mounting hardware must be corrosion resistant as needed for mounting site conditions. Recommended screw size is #8 flanged (extra-wide) head.
- ◆ Wall mount requires a Phillips #2 screwdriver with a shank at least 4" / 100 mm long.
- ◆ Antennas and cables for two 4x4 radios. Cambium Xirrus offers both omnidirectional and directional antennas tested for use with this AP. Cables, if needed, are furnished with these antennas. Please see the XH2-240 datasheet and the [External Antennae Guide](#) for more information on recommended antennas, including detailed specifications.
- ◆ Antenna for Bluetooth radio (optional), RP-SMA type, rated for outdoor use.
- ◆ A source of earth ground (see [Step 3 on page 3](#) and [Step 6 on page 5](#)). If lightning surges are a concern, consider using a lightning arrester.

- ◆ Workstation with a Web browser to configure the AP.
- ◆ RJ-45 Ethernet connection(s) to your wired network.
 - ◆ **Gigabit1/PoE+** —XH2-240 APs are powered via one Power over Ethernet (PoE) port using an outdoor-rated Ethernet Cat 5e or Cat 6 cable that also carries data traffic. Use only 802.3at (POE+) compatible switches or power injectors, or a Cambium Xirrus-supplied PoE injector (the 30W XP1-MSI-30, or current models rated at 70W or higher).
 - ◆ (Optional) **GIGABIT2**—Connection to this second, data-only Gigabit port provides additional bandwidth. Use Cat 5E or Cat 6 cable.
- ◆ The AP protects its inputs from typical static charge buildup on antennas. In areas where lightning surges are a concern, a lightning arrestor may be used between the antenna and the AP, with 6 AWG copper wire from the arrestor to a good earth ground.

NOTE: PoE injectors and switches must be installed and used indoors.

NOTE: If XH2 models are used indoors, they are to be connected only to PoE networks without routing to the outside plant.

NOTE: The AP comes with plastic covers installed on Ethernet and antenna ports. You MUST leave these covers securely installed on unused ports to prevent weather damage.

2

Choose a Suitable Location

The XH2-240 is tested to IP67 waterproof and dust-proof requirements to protect against severely wet and dusty environments. For optimal placement, we recommend that a predictive survey be performed by a qualified Cambium Xirrus partner.

- ◆ Choose a location that is not subjected to submersion.
- ◆ Direct sunlight may raise the effective ambient temperature many degrees above air temperature. It is best to choose a location that has some protection from the sun.
- ◆ The maximum cable length between the XH2-240 and the RJ-45 Ethernet network is 100 meters. A PoE injector is not a repeater, so its location will not increase this distance.
- ◆ The XH2-240 can operate from a Wireless Distribution System (WDS) link. However, the unit will need to be configured via the Ethernet connection prior to mounting and power must still be supplied via the GIG1 Ethernet connector.
- ◆ Keep the unit away from electrical devices or appliances that generate RF noise—at least 3 to 6 feet (1 to 2 meters).
- ◆ The AP must be installed in a position so that the LED's cover is not directly affected by the sun's radiation (typically with the Ethernet connectors and LED facing down).

3

Prepare the Mounting Location

The installation must ensure that the AP is grounded to earth ground to dissipate any static electric charge that may develop due to wind.

- ◆ Determine a good electrical earth ground point near the AP mounting location. If an earth ground point is not available, consult an electrician to have one installed. To reach the AP, the installer must use wire of the same gauge as the supplied grounding wire. Allow for some extra length in a service loop.
- ◆ Before the AP is mounted to a wall or pole, loosen the grounding screw (indicated by the ground symbol) on the back of the unit (see image at left and on [page 7](#)). Attach the supplied grounding wire and lug as shown and fasten the screw securely.



4

If Using Omnidirectional Quad Antennas (ANT-OMNI-4x4-01)

If you are not using this antenna, proceed to [Step 5 on page 4](#).

This custom-designed dual-band 4x4 Quad Antenna provides inputs for all four of a radio's antenna ports. No antenna mounting is required, since these antennas attach directly to the AP.

To simplify installation, connect the Quad Antenna as described below *before* mounting the AP.



- ◆ Remove the dust caps from the AP connectors to be used. If an AP radio is not being used, leave its dust caps on to protect the AP from the environment.
- ◆ Position the Quad Antenna's four connectors over the antenna ports (ANT1 to ANT4) on one side of the AP. Face the antenna unit so that it extends up past the front of the AP as shown above. Press the connectors firmly against the AP ports while tightening the hex nuts. Make sure that the connectors are properly threaded onto the AP antenna ports.
- ◆ Insert and secure the four provided Phillips screws.
- ◆ Make sure that each hex connector is securely tightened. You may use a wrench or pliers.
- ◆ Repeat with the second Quad Antenna unit.

5

Mount the AP on a Pole or Wall

- ◆ "5a—Pole Mounting" on page 4
- ◆ "5b—Wall Mounting" on page 5

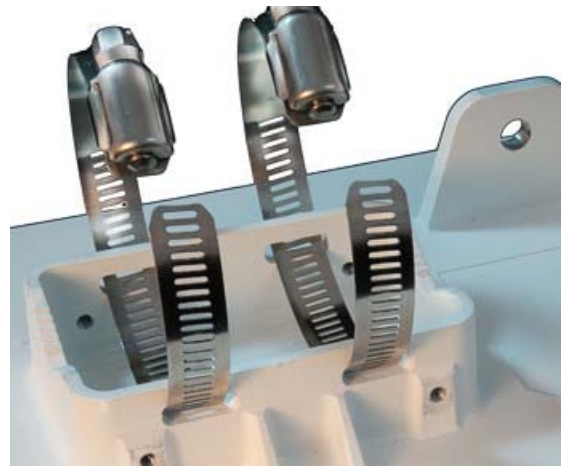
We recommend mounting the AP with the Ethernet connectors facing down.

5a—Pole Mounting

Two metal bands are supplied for pole attachment. Other sizes of metal bands can be obtained from third parties, such as www.BAND-IT-IDEX.com.

The following steps mount the AP to a pole:

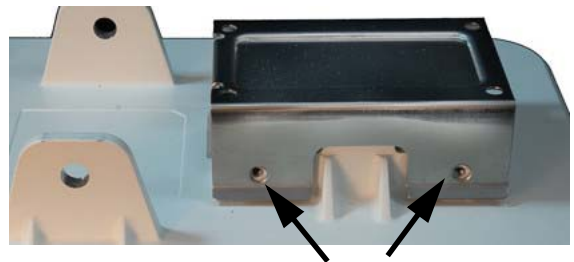
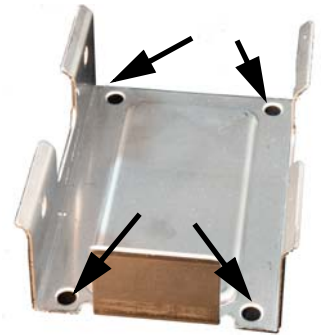
- ◆ Slide the metal bands through the slots on the back of the AP as shown.
- ◆ Locate the AP at the desired location on the pole. Thread the end of a band into the slot on the other end. Turn the captive screw to draw the band through the slot.
- ◆ Continue tightening until the AP is securely fastened to the pole. Repeat for the other band.
- ◆ Note the two additional flanges on the back of the AP, highlighted at right—these are provided for future third party mounting solutions. They are 4" apart (interior measurement).



5b—Wall Mounting

Please see [Step 13 on page 12](#) for additional illustrations of wall mounting.

- ◆ Place the supplied wall bracket in the desired location with the flat side flush against the wall. Mark the location of the four mounting holes on the wall as shown to the right. Note that the AP attaches to the bracket as shown in the second image. Orient the AP with the two black Ethernet connectors on the bottom.
- ◆ Drill and prepare the holes in the wall for the desired anchor or screw type. In metal walls the holes may be tapped to the proper thread or the AP may be mounted with sheet metal screws. For concrete walls, plastic anchors and screws are suggested.
- ◆ Secure the wall bracket to the wall at the four prepared locations.
- ◆ Attach the AP to the wall bracket. The AP seats on the bracket as shown at right. Make sure the screw holes on both sides of the bracket line up with those on the AP. Secure with four supplied screws, using the long Phillips #2 screwdriver.



6

Ground to Earth Ground

WARNING: *This equipment must be externally grounded using a customer-supplied ground wire before power is applied. Contact the appropriate electrical inspection authority or an electrician if you are uncertain that suitable grounding is available.*



The mechanical installation must ensure that the AP is grounded to earth ground to dissipate static electric charge that may develop due to wind. In [Step 3 on page 3](#), you secured a grounding wire to the AP.

- ◆ After [Step 3 on page 3](#) is complete and the AP is mounted to the wall or pole, attach the grounding wire from the AP to the electrical earth ground point that you located or installed in Step 3. The photo shows an earth ground connection where the AP is mounted on a pole at ground level and the grounding wire is attached to a stake driven into the ground.

7

Install Antennas

The XH2-240 has four female Type N connectors (ANT1-ANT4) for the antennas on each side of the AP, for a total of eight inputs. The antennas labeled IAP1 are for the 2.4GHz/5GHz dual-band radio. The antennas labeled IAP2 are for the 5GHz fixed-band radio.

If you are using radio IAP1, all four of the AP's IAP1 inputs must be attached to antenna leads. The antennas must support the frequency band you will use (for example, 2.4GHz), and IAP1 must be configured to that band on the AP (see [Step 9 on page 10](#)). Note that all antennas recommended for the XH2-240 in the *External Antennae Guide* are dual-band.

If you are using radio IAP2, all four IAP2 cables need 5GHz antenna connections.

Installation is discussed in these sections below:

- ◆ [“Omnidirectional Radio Antennas” on page 6](#)
- ◆ [“Directional Radio Antennas” on page 6](#)
- ◆ [“Bluetooth Antenna” on page 7](#)

If you are not using one of our recommended antennas, the Tx output power settings on the XH2-240 must be configured so that total radiated output power from the connected antennas meet all applicable regulatory requirements.

Note that **all four of a radio's antenna inputs must be connected** in order for the radio to operate properly, **and to avoid damage to the AP.**

NOTE: See the Warnings and Notices regarding external antennas in “Notices, Warnings & Compliance Statements” on page 14.

Omnidirectional Radio Antennas

- ◆ If using Omnidirectional Dual Band 4x4 Quad Antennas (ANT-OMNI-4x4-01), they should already have been installed as described in [Step 4 on page 3](#).
- ◆ If using other types of omnidirectional antennas that connect directly to the AP (e.g., “rubber ducks”), connect them now.

Directional Radio Antennas

- ◆ Antenna(s) should be installed by a professional installer as directed by the manufacturer.
- ◆ Cambium Xirrus-supplied antennas include cables. Otherwise, use low-loss outdoor-rated coaxial cables terminated with male N type connectors. Note that some antennas include integrated cables as part of the unit, and these do not need separate cables.

Bluetooth Antenna

For the optional connection to the Bluetooth radio, use a Bluetooth antenna terminated with a RP SMA connector rated for outdoor use. Select a 2.4 GHz antenna with low gain (less than 2.3 dBi). The Bluetooth port is labeled BLE-ANT. Its location is shown in the image below.

8

Connect the Ethernet Cable with the Waterproof Connector

NOTE: To disconnect the Ethernet ports at a later time, you must follow the procedure in Step 10 on page 11.



- ◆ **Power:** These APs are only powered through the GIG1 PoE+ port.
- ◆ **Data:** Data is supplied to the GIG1-POE+ port via the same cable that powers the AP, and a second optional connection to the GIG2 port.

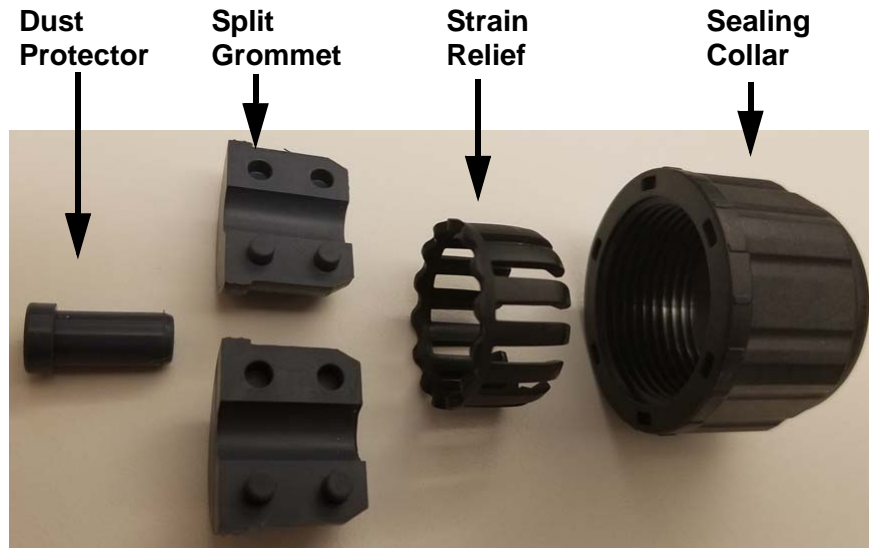
NOTE: It is VERY IMPORTANT to assemble the waterproof connector properly, following the directions below. Failure to do so may expose the AP to the elements, and

*may result in an intermittent connection causing the AP to connect at very low speeds!
If GIG2 is not used, you MUST leave its protector cap assembly securely installed.*

- ◆ The Ethernet cable must be terminated with a simple RJ45 plug with the tab exposed, as shown on the left below. Do not use a plug with a tab protector boot, as shown on the right. This will not seat properly in the waterproof connector, and the assembly will not be watertight.

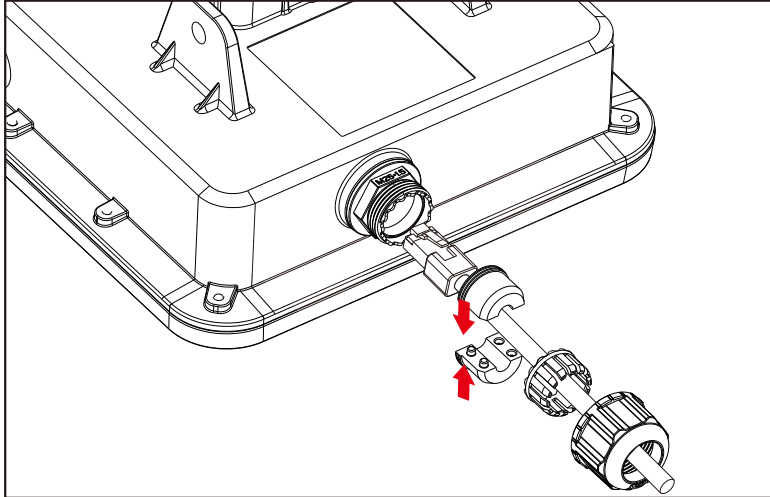


- ◆ Unscrew the black GIG1/POE Ethernet connector from the bottom of the AP and disassemble it into the parts shown below, keeping the parts in their original order. Save the dust protector (shown on the left) in case you need to disconnect the Ethernet connection in the future.



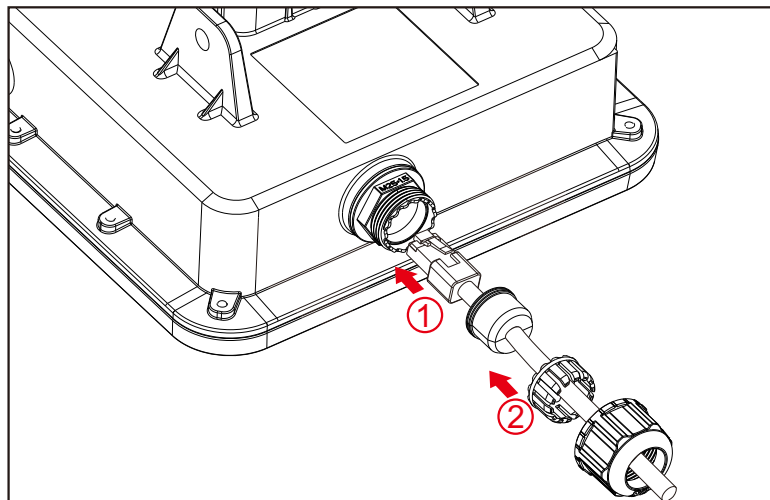
- ◆ For simplicity, the images below show only one Ethernet port on the AP.

- ◆ Feed the Ethernet cable through the sealing collar and the strain relief. The strain relief's open ribs should face the collar, as shown. Snap together the halves of the split rubber grommet over the cable.

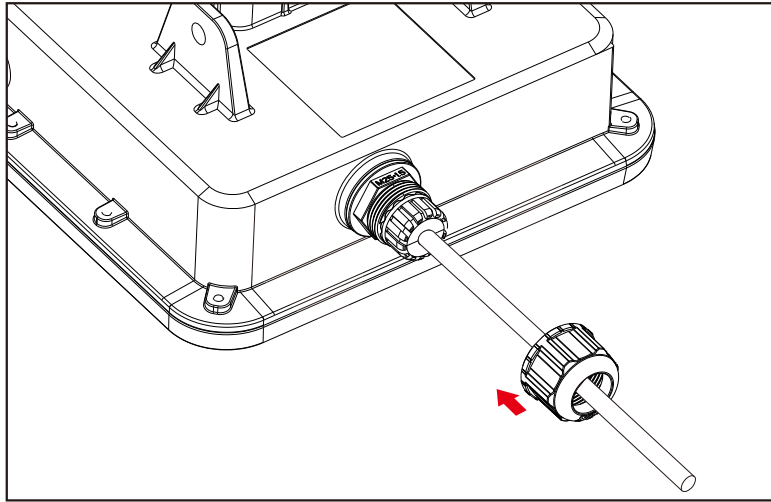


NOTE: Once you connect the AP's GIG1/POE port, an automatic upgrade typically starts soon after the AP has Internet connectivity. Do not unplug this port while booting or during the upgrade process or the AP may become inoperable. The upgrade should take 10 minutes or less depending on bandwidth.

- ◆ Plug the Ethernet connector into the AP, making sure that its tab clicks in place for a secure connection. Slide the strain relief all the way onto the grommet. If power is being properly supplied to the AP, the STATUS LED will show blinking green. When the boot has successfully completed, the LED will be solid green. Solid red indicates a fault condition, either at boot or during regular operation.



- ◆ Snug the grommet assembly against the Ethernet plug and slide the collar over that.



- ◆ Screw the collar onto the AP until it is snug, to provide a water tight fit.
- ◆ Repeat for the GIG2 port, if you are using it.

9

Zero-Touch Provisioning and Ongoing Management

Most customers employ the Xirrus Management System (XMS) for the initial setup and continuing management of Cambium Xirrus devices. XMS users can readily set up their new devices for zero-touch provisioning and ongoing maintenance via the following platforms. Wait five minutes after powering up the AP to automatically discover it, then use XMS to view and manage it. Newly discovered APs are automatically assigned to your specified profile, if any, else to the XMS default profile. APs will receive the configuration defined for their profile.

- ◆ XMS-Cloud—performs zero-touch provisioning. Your new APs appear in XMS even before you receive your equipment. When the email arrives with your login information, use XMS-Cloud to specify the initial settings for your APs. A Guided Tour will walk you through the basic steps of creating a profile containing configuration settings, including creating SSIDs and firewall/application control rules. Once the installed AP has Internet connectivity, it will automatically contact Cambium Networks for cloud-based zero-touch provisioning per your settings, install the latest applicable license, and upgrade the AP to the latest software version as appropriate.
- ◆ XMS-Enterprise—automatically detects and provisions new Cambium Xirrus devices deployed in your network via a similar zero-touch provisioning approach. Create and configure a default profile for newly added APs—these new devices will automatically receive the configuration defined in your default profile.

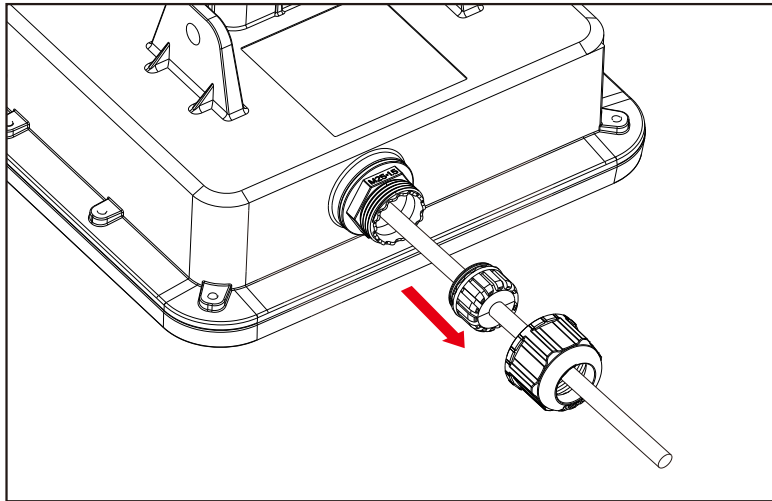
- ◆ If you are not using XMS, please see the *Wireless Access Point User's Guide* for AOS to configure your AP manually via the Express Setup menu option. The User Guide is available from support.cambiumnetworks.com. (login required).

10

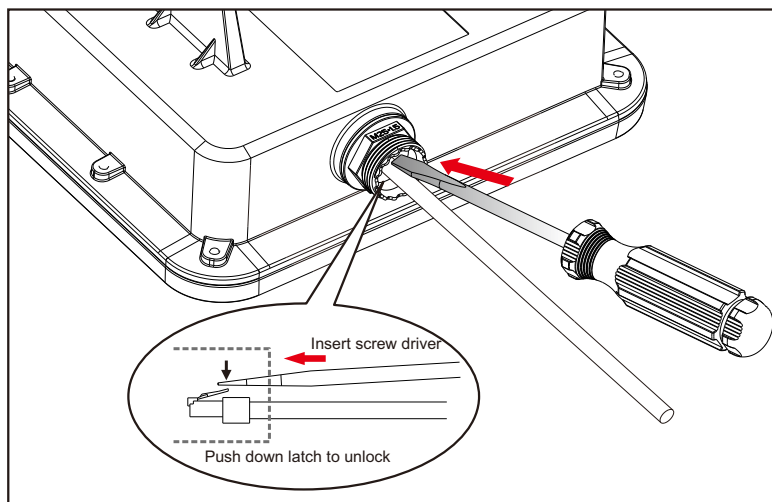
Disconnecting an Ethernet port

Follow the directions below to avoid damage if you need to disconnect an Ethernet port. A small flathead screwdriver is required. Refer to the image on [page 8](#).

- ◆ Unscrew the sealing collar, and gently pull back the split grommet.



- ◆ Use the screwdriver to push down the Ethernet jack's latch to release it. Unplug the jack.



- ◆ Pull the strain relief away from the grommet, and split the grommet to completely free the Ethernet cable.
- ◆ Reassemble the grommet and strain relief as shown in [Step 8 on page 7](#). Insert the dust protector facing away from the AP. Secure the assembly to the AP by screwing the collar on.

11

Physical/Environmental Specifications

- ◆ Operating Temperature: -40 to +55°C / -40 to 131°F, 0-90% humidity, non-condensing.
- ◆ Dimensions: 11.75 x 8.75 x 3.75 in. / 29.8 x 22.2 x 9.5 cm, including the Ethernet connectors at the bottom.
- ◆ Weight: 5.5 lbs. / 2.5 Kg.

12

Resetting the AP

The reset button returns the AP to factory default settings while rebooting. It is located on the bottom of the AP, next to the GIG2 Ethernet port. Refer to the image on [page 7](#). Use the reset button as follows:

- ◆ Unplug the cable from the GIG1/POE port (see [Step 10 on page 11](#)), but don't disassemble the grommet and strain relief.
- ◆ Remove the screw assembly covering the reset button.
- ◆ Press the reset button all the way in with a bent paper clip (there should be a faint click) and keep the button depressed.
- ◆ Plug the Ethernet cable back in and continue to keep the reset button pressed for 10 seconds. This triggers the factory default reset during the boot process. If power is being properly supplied to the AP, the STATUS LED will show blinking green. When the boot has successfully completed, the LED will be solid green.
- ◆ Replace the screw assembly covering the reset button to keep water out of the AP.
- ◆ Snug the grommet and strain relief assembly against the RJ45 plug. Screw the collar onto the AP securely, to provide a water tight fit.

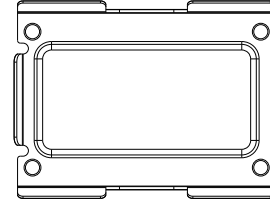
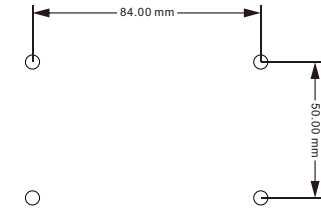
13

Wall Mount Diagram

Please see the drawings on the following page for illustrations of the wall mount procedure.

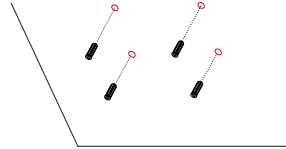
XH2-240 Installation Guide

1



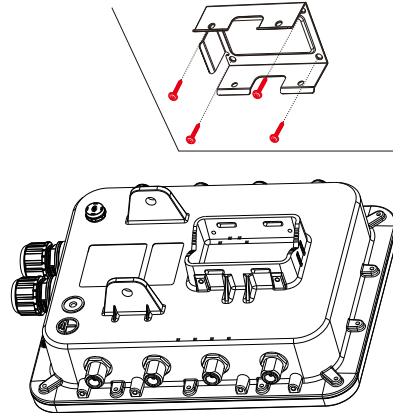
Drill location

2

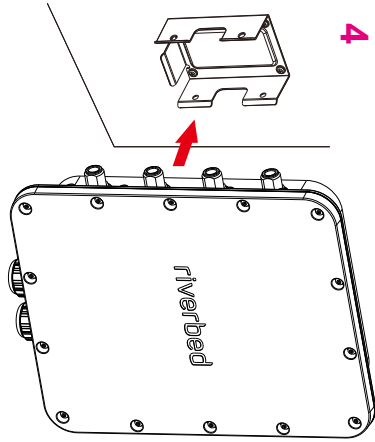


Insert four anchors

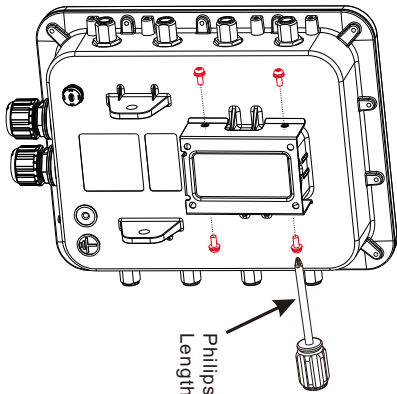
3



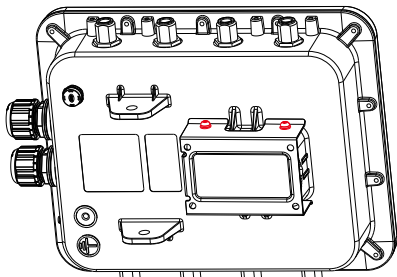
4



5



6



Notices, Warnings & Compliance Statements

Notices

- ◆ Read all user documentation before powering this device. Please verify the integrity of the system ground prior to installing Cambium Xirrus equipment. Additionally, verify that the ambient operating temperature does not exceed 55°C.
- ◆ Software used by the Access Points (APs) is covered by the Cambium Networks Software License and Product Warranty Agreement.
- ◆ Non-Modification Statement: Unauthorized changes or modifications to the device are not permitted. Use only Cambium Xirrus-approved external antennas supplied or recommended by the manufacturer. Modifications to the device will void the warranty and may violate FCC regulations.
- ◆ UL Statement: Use only with listed ITE product.
- ◆ Operating Frequency: The operating frequency in a wireless LAN is determined by the access point. It is important that the access point is correctly configured to meet the local regulations. If you have questions regarding the compliance of Cambium Xirrus products, please contact us at: support.cambiumnetworks.com.
- ◆ The 2-GHz b/g/n radio operates in 2.4 GHz ISM band. It supports channels 1-11 in US, 1-13 in Europe, and 1-13 in Japan. It has two transmitters with a maximum total output power of 25dBm for 802.11b/g/n operation. Output power is configurable to 5 levels. It has three receivers that enables maximum-ratio combining (MRC).
- ◆ The 5-GHz a/n radio operates in the UNII-2 band (5.25 - 5.35 GHz), UNII-2 Extended/ETSI band (5.47 - 5.725 GHz), and the upper UNII/ISM band (5.725 - 5.850 GHz). It has two transmitters with a maximum total output power of 24 dBm for UNII-2 and Extended/ETSI bands for the A-domain. The total maximum output power for the upper ISM band is 26 dBm for A-domain. Power settings will change depending on the regulatory domain.
- ◆ High power radars are allocated as primary users (meaning they have priority) in the 5250MHz to 5350MHz and 5650MHz to 5850MHz bands. These radars could cause interference and/or damage Wireless LAN devices.
- ◆ Calculating the Maximum Output Power: The regulatory limits for maximum output power are specified in EIRP (equivalent isotropic radiated power). The EIRP level of a device can be calculated by adding the gain of the antenna used (specified in dBi) to the output power available at the connector (specified in dBm).

Warnings

GENERAL SAFETY GUIDELINES

! **WARNING:** This warning symbol means danger. You are in a situation that could cause bodily injury. Before you work on any equipment, be aware of the hazards involved with electrical circuitry and be familiar with standard practices for preventing accidents.

! **WARNING:** Only trained and qualified personnel should be allowed to install, replace, or service this equipment.

! **WARNING:** Ultimate disposal of this product should be handled according to all national laws and regulations.

! **WARNING:** Incorrect installation of Cambium Xirrus Access Points may invalidate FCC, CE mark, or other regulatory compliance approvals. Customers are responsible for any legal violations from operation of un-approved equipment or incorrect installation.

! **WARNING:** Do not operate the Access Point near unshielded blasting caps or in an explosive environment unless the device has been modified to be especially qualified for such use.

! **CAUTION:** Suitable for use in environmental air space in accordance with Section 300.22.C of National Electrical Code, and Sections 2-128, 12-010(3) and 12-100 of the Canadian Electrical Code, Part 1, C22.1.

! **CAUTION:** Supplied watertight adapters must be used on all input/output connections to the Access Point.

! **CAUTION:** RISK OF EXPLOSION IF BATTERY IS REPLACED BY AN INCORRECT TYPE.
DISPOSE OF USED BATTERIES ACCORDING TO THE MANUFACTURER'S INSTRUCTIONS.

POWER

! **WARNING:** Read the installation instructions before connecting the system to the power source.

! **WARNING:** Installation of the equipment must comply with local and national electrical codes.

! **WARNING:** This equipment must be externally grounded using a customer-supplied ground wire before power is applied. Contact the appropriate electrical inspection authority or an electrician if you are uncertain that suitable grounding is available.

! **WARNING:** Do not work on the system or connect or disconnect cables during periods of lightning activity.

! **WARNING:** To ensure proper PoE power is delivered to the Access Point, use only No. 26 AWG or larger Ethernet (Shielded CAT5E, CAT6) cable.

! **CAUTION:** When the Access Point is installed outdoors or in a wet or damp location, the AC branch circuit that is powering the Injector should be provided with ground fault protection (GFCI), as required by Article 210 of the National Electrical Code (NEC).

! **CAUTION:** Cambium Xirrus PoE Injectors rely on the building's installation for over current protection. Ensure that a fuse or circuit breaker no larger than 120 VAC, 15A (U.S.) or 240 VAC, 10A (International) is used on all current-carrying conductors.

EXTERNAL ANTENNAS

- ! **WARNING:** In order to comply with radio frequency (RF) exposure limits, the antennas for this product should be positioned no less than 31 cm from your body or nearby persons.

- ! **WARNING:** Do not locate the antenna near overhead power lines or other electric light or power circuits, or where it can come into contact with such circuits. When installing the antenna, take extreme care not to come into contact with such circuits, because they may cause serious injury or death. For proper installation and grounding of the antenna, please refer to national and local codes (for example, U.S.:NFPA 70, National Electrical Code, Article 810, Canada: Canadian Electrical Code, Section 54).

- ! This device has been designed to operate with antennas having an effective maximum gain of 6dBi in the 2.4 GHz band and 6dBi in the 5 GHz band. The required antenna impedance is 50 ohms. Effective maximum gain is antenna gain minus cable loss.

- ! To reduce potential radio interference to other users, the antenna type and its gain should be so chosen that the equivalent isotropically radiated power (EIRP) is not more than that permitted for successful communication.

Wi-Fi Alliance Certification



www.wi-fi.org

Federal Communications Commission (FCC) Statements & Instructions

FCC Declaration of Conformity Statement

This device complies with Part 15 of the FCC Rules, with operation subject to the following two conditions: (1) This device may not cause harmful interference, and (2) this device must accept any interference received, including interference that may cause unwanted operation.

This equipment has been tested and found to comply with the limits for a Class B digital device, pursuant to Part 15 of the FCC rules. These limits are designed to provide reasonable protection against harmful interference in a residential installation. This equipment generates, uses and can radiate RF energy and, if not installed and used in accordance with the instructions, may cause harmful interference to radio communications. However, there is no guarantee that interference will not occur in a particular installation. If this equipment does cause harmful interference to radio or television reception, which can be determined by turning the equipment off and on, the user is encouraged to try to correct the interference by one or more of the following safety measures:

- ◆ Reorient or relocate the receiving antenna.
- ◆ Increase the separation between the equipment and the receiver.
- ◆ Connect the equipment into an outlet on a circuit different from that to which the receiver is connected.

- ◆ Consult the dealer or an experienced wireless technician for help.

Consult the dealer or an experienced wireless technician for help. Shielded twisted pair (STP) cable must be used for all Ethernet connections in order to comply with EMC requirements.

FCC Caution: Any changes or modifications not expressly approved by the party responsible for compliance could void the user's authority to operate this equipment.

FCC-Specific Instructions

The FCC, National Telecommunications and Information Administration (NTIA), Federal Aviation Administration (FAA), and industry are working to resolve interference to Terminal Doppler Weather Radar (TDWR) systems used near airports that has occurred from some outdoor wireless systems operating in the 5470 MHz - 5725 MHz band. These wireless devices are subject to Section 15.407 of our rules and while operating as a master device they are required to implement radar detection and Dynamic Frequency Selection (DFS) functions.

- ◆ Devices must be professionally installed.
- ◆ Any installation of either a master or a client device within 35 km of a TDWR location shall be separated by at least 30 MHz (center-to-center) from the TDWR operating frequency (as shown in the TDWR location at <http://www.spectrumbridge.com/udia/home.aspx>). This will require that channel 116 is not used in these locations.
- ◆ The installers and the operators must register the devices in the industry-sponsored database with the appropriate information regarding the location and operation of the device and installer information. A voluntary Wireless Internet Service Providers Association (WISPA) sponsored database has been developed that allows operators and installers to register the location information of the Unlicensed National Information Infrastructure (UNII) devices operating outdoors in the 5470 - 5725 MHz band within 35 km of any TDWR location (see <http://www.spectrumbridge.com/udia/home.aspx>). This database may be used by government agencies to expedite resolution of any interference to TDWRs.

FCC Safety Compliance Statement

The FCC with its action in ET Docket 96-8 has adopted a safety standard for human exposure to radio frequency (RF) electromagnetic energy emitted by FCC certified equipment. When used with Cambium Xirrus-approved antennas, Cambium Xirrus Wireless products meet the uncontrolled environmental limits found in OET-65 and ANSI C95.1, 1991. Proper installation of this radio according to the instructions found in this manual will result in user exposure that is substantially below the FCC recommended limits.

This radio transmitter [FCC: SK6-XH2240] has been approved by FCC to operate with the antenna types listed below, with the maximum permissible gain indicated. Antenna types not

included in this list that have a gain greater than the maximum gain indicated for any type listed are strictly prohibited for use with this device.

Antenna Type	Model Number	Antenna Gain (dBi)	Remark
Omni-directional Antenna	EHS1GA260A	2	2.4GHz, 5GHz
Dual Band & Quad Polarization Subscriber Antenna	MT - 953019/NVHD	10.23	2.4GHz
		12.14	5GHz
Omni-directional Antenna	RFDPA161300SBAB801	2.3	BT
	TLB-2400-3800B	2	

Industry Canada Statements and Warnings

Industry Canada Notice and Marking: This Class B digital apparatus complies with Canadian ICES-003.

Cet appareil numérique de la classe B est conforme à la norme NMB-003 du Canada.

The term “IC:” before the radio certification ID number IC: 21249-XH2240 only signifies that Industry Canada technical specifications were met.

Under Industry Canada regulations, this radio transmitter may only operate using an antenna of a type and maximum (or lesser) gain approved for the transmitter by Industry Canada. To reduce potential radio interference to other users, the antenna type and its gain should be so chosen that the equivalent isotropically radiated power (e.i.r.p.) is not more than that necessary for successful communication.

Conformément à la réglementation d’Industrie Canada, le présent émetteur radio peut fonctionner avec une antenne d’un type et d’un gain maximal (ou inférieur) approuvé pour l’émetteur par Industrie Canada. Dans le but de réduire les risques de brouillage radioélectrique à l’intention des autres utilisateurs, il faut choisir le type d’antenne et son gain de sorte que la puissance isotrope rayonnée équivalente (p.i.r.e.) ne dépasse pas l’intensité nécessaire à l’établissement d’une communication satisfaisante.

This device complies with Industry Canada license-exempt RSS standard(s). Operation is subject to the following two conditions: (1) this device may not cause interference, and (2) this device must accept any interference, including interference that may cause undesired operation of the device.

Le présent appareil est conforme aux CNR d’Industrie Canada applicables aux appareils radio exempts de licence. L’exploitation est autorisée aux deux conditions suivantes: (1) l’appareil ne doit pas produire de

brouillage, et (2) l'utilisateur de l'appareil doit accepter tout brouillage radioélectrique subi, même si le brouillage est susceptible d'en compromettre le fonctionnement.

Cambium Xirrus Access Points are certified to the requirements of RSS-247. The use of this device in a system operating either partially or completely outdoors may require the user to obtain a license for the system according to the Canadian regulations. For further information, contact your local Industry Canada office.

RF Radiation Hazard Warning: To ensure compliance with FCC and Industry Canada RF exposure requirements, this device must be installed in a location where the antennas of the device will have a minimum distance of at least 31 cm from all persons. Using higher gain antennas and types of antennas not certified for use with this product is not allowed. The device shall not be co-located with another transmitter.

Installez l'appareil en veillant à conserver une distance d'au moins 31 cm entre les éléments rayonnants et les personnes. Cet avertissement de sécurité est conforme aux limites d'exposition définies par la norme CNR-102 at relative aux fréquences radio.

This radio transmitter [IC: 21249-XH2240] has been approved by Innovation, Science and Economic Development Canada (ISED) to operate with the antenna types listed below, with the maximum permissible gain indicated. Antenna types not included in this list that have a gain greater than the maximum gain indicated for any type listed are strictly prohibited for use with this device.

Le présent émetteur radio [IC: 21249-XH2240] a été approuvé par Innovation, Sciences et Développement Économique Canada pour fonctionner avec les types d'antenne énumérés ci dessous et ayant un gain admissible maximal. Les types d'antenne non inclus dans cette liste, et dont le gain est supérieur au gain maximal indiqué pour tout type figurant sur la liste, sont strictement interdits pour l'exploitation de l'émetteur.

Antenna Type	Model Number	Antenna Gain (dBi)	Remark
Omni-directional Antenna	EHS1GA260A	2	2.4GHz, 5GHz
Dual Band & Quad Polarization Subscriber Antenna	MT - 953019/NVHD	10.23	2.4GHz
		12.14	5GHz
Omni-directional Antenna	RFDPA161300SBAB801	2.3	BT
	TLB-2400-3800B	2	

High Power Radars: High power radars are allocated as primary users (meaning they have priority) in the 5250MHz to 5350MHz and 5650MHz to 5850MHz bands. These radars could cause interference and/or damage to Wireless LAN devices used in Canada.

Les utilisateurs de radars de haute puissance sont désignés utilisateurs principaux (c.-à-d., qu'ils ont la priorité) pour les bandes 5 250 - 5 350 MHz et 5 650 - 5 850 MHz. Ces radars pourraient causer du brouillage et/ou des dommages aux dispositifs LAN-EL.

Radio Equipment Directive (RED) 2014/53/EU Compliance Information

This section contains compliance information for the Cambium Xirrus Wireless AP family of products. The compliance information contained in this section is relevant to the European Union and other countries that have implemented the EU Directive 2014/53/EC.

This declaration is only valid for configurations (combinations of software, firmware and hardware) provided and/or supported by Cambium Networks Inc. The use of software or firmware not supported/provided by Cambium Networks Inc. may result that the equipment is no longer compliant with the regulatory requirements.

Frequencies from 5150 to 5350 (5 GHz channels 36-64) are restricted to indoor use only.



AT	BE	BG	CH	CY	CZ	DE	DK	EE	EL	ES
FI	FR	HR	HU	IE	IS	IT	LI	LT	LU	LV
MT	NL	NO	PL	PT	RO	SE	SI	SK	TR	UK

Cambium Networks, Inc. declares that this radio equipment type [XH2240] is in compliance with Directive 2014/53/EU.

Declaration of Conformity

Cesky [Czech] Toto zařízení je v souladu se základními požadavky a ostatními odpovídajícími ustanoveními Směrnice 2014/53/EC.

Dansk [Danish] Dette udstyr er i overensstemmelse med de væsentlige krav og andre relevante bestemmelser i Direktiv 2014/53/EF.

Deutsch [German] Dieses Gerät entspricht den grundlegenden Anforderungen und den weiteren entsprechenden Vorgaben der Richtlinie 2014/53/EU.

Eesti [Estonian] See seade vastab direktiivi 2014/53/EU olulistele nõuetele ja teistele asjakohastele sätetele.

English This equipment is in compliance with the essential requirements and other relevant provisions of Directive 2014/53/EC.

Español [Spain] Este equipo cump le con los requisitos esenciales asi como con otras disposiciones de la Directiva 2014/53/ CE.

Ελληνικη [Greek] Αυτόζ ο εξοπλισμός είναι σε συμμόρφωση με τις ουσιώδεις απαιτήσεις και ύλλες σχετικέζ διατάξεις της Οδηγιαζ 2014/53/EC.

Français [French] Cet appareil est conforme aux exigences essentielles et aux autres dispositions pertinentes de la Directive 2014/53/EC.

Íslenska [Icelandic] Þetta tæki er samkvæmt grunnkröfum og öðrum viðeigandi ákvæðum Tilskipunar 2014/53/EC.

Italiano [Italian] Questo apparato é conforme ai requisiti essenziali ed agli altri principi sanciti dalla Direttiva 2014/53/CE.

Latviski [Latvian] Šī iekārta atbilst Direktīvas 2014/53/EK būtiskajā prasībām un citiem ar to saistītajiem noteikumiem.

Lietuvių [Lithuanian] Šis įrenginys tenkina 2014/53/EB Direktyvos esminius reikalavimus ir kitas šios direktyvos nuostatas.

Nederlands [Dutch] Dit apparant voldoet aan de essentiële eisen en andere van toepassing zijnde bepalingen van de Richtlijn 2014/53/EC.

Malti [Maltese] Dan l-apparant huwa konformi mal-htigiet essenzjali u l-provedimenti l-ohra rilevanti tad-Direttiva 2014/53/EC.

Magyar [Hungarian] Ez a készülék teljesíti az alapvető követelményeket és más 2014/53/EK irányelvben meghatározott vonatkozó rendelkezéseket.

Norsk [Norwegian] Dette utstyret er i samsvar med de grunnleggende krav og andre relevante bestemmelser i EU-direktiv 2014/53/EF.

Polski [Polish] Urządzenie jest zgodne z ogólnymi wymaganiami oraz szczególnymi mi warunkami określony mi Dyrektywą. UE:2014/53/EC.

Português [Portuguese] Este equipamento está em conformidade com os requisitos essenciais e outras provisões relevantes da Directiva 2014/53/EC.

Slovensko [Slovenian] Ta naprava je skladna z bistvenimi zahtevami in ostalimi relevantnimi popoji Direktive 2014/53/EC.

Slovensky [Slovak] Toto zariadenie je v zhode so základnými požadavkami a inými príslušnými nariadeniami direktiv: 2014/53/EC.

Suomi [Finnish] Tämä laite täyttää direktiivin 2014/53/EY olennaiset vaatimukset ja on siinä asetettujen muiden laitetta koskevien määräysten mukainen.

Svenska [Swedish] Denna utrustning är i överensstämmelse med de väsentliga kraven och andra relevanta bestämmelser i Direktiv 2014/53/EC.

Assessment Criteria: The following standards were applied during the assessment of the product against the requirements of the Directive 2014/53/EC:

- ◆ Radio: EN 301 893 and EN 300 328 (if applicable)
- ◆ EMC: EN 301 489-1 and EN 301 489-17
- ◆ Safety: EN 50385
- ◆ RF Exposure: EN 62479

CE Marking: For the Cambium Xirrus Wireless Access Point, the CE mark and Class-2 identifier opposite are affixed to the equipment and its packaging:



WEEE Compliance: Natural resources were used in the production of this equipment.



- ◆ This equipment may contain hazardous substances that could impact the health of the environment.
- ◆ If you need more information on collection, re-use and recycling systems, please contact your local or regional waste administration.
- ◆ Please contact Cambium Networks for specific information on the environmental performance of our products.

National Restrictions: In the majority of the EU and other European countries, the 2.4 GHz and 5 GHz bands have been made available for the use of Wireless LANs. The following table provides an overview of the regulatory requirements in general that are applicable for the 2.4 GHz and 5 GHz bands.

Frequency Band (MHz)	Max Power Level (EIRP) (mW)	Indoor	Outdoor
2400-2483.5	100	X	X**
5250-5359*	200	X	N/A
5470-5725	1000	X	X

*Dynamic frequency selection and Transmit Power Control is required in these frequency bands.

**France is indoor use only in the upper end of the band.

The requirements for any country may change at any time. Cambium Networks recommends that you check with local authorities for the current status of their national regulations for both 2.4 GHz and 5 GHz wireless LANs. The following countries have additional requirements or restrictions than those listed in the above table:

Belgium: The Belgian Institute for Postal Services and Telecommunications (BIPT) must be notified of any outdoor wireless link having a range exceeding 300 meters. Cambium Networks recommends checking at www.bipt.be for more details.

Draadloze verbindingen voor buitengebruik en met een reikwijdte van meer dan 300 meter dienen aangemeld te worden bij het Belgisch Instituut voor postdiensten en telecommunicatie (BIPT). Zie www.bipt.be voor meer gegevens.

Les liaisons sans fil pour une utilisation en extérieur d'une distance supérieure à 300 mètres doivent être notifiées à l'Institut Belge des services Postaux et des Télécommunications (IBPT). Visitez www.bipt.be pour de plus amples détails.

Greece: A license from EETT is required for the outdoor operation in the 5470 MHz to 5725 MHz band. Cambium Networks recommends checking www.eett.gr for more details.

Η δη ιουργβάικτ ωνεξωτερικο ρουστη ζ νησυ νοτ των 5470–5725 MHz ε ιτρ ετάιωνο ετάά άάδειά της EETT, ου ορηγεβτάι στερά ά ό σ φωνη γν η του ΓΕΕΘΑ. Ερισσότερες λε τομ ρειεωστο www.eett.gr

Italy: This product meets the National Radio Interface and the requirements specified in the National Frequency Allocation Table for Italy. Unless this wireless LAN product is operating within the boundaries of the owner's property, its use requires a “general authorization.” Please check with www.comunicazioni.it/it/ for more details.

Questo prodotto é conforme alla specifiche di Interfaccia Radio Nazionali e rispetta il Piano Nazionale di ripartizione delle frequenze in Italia. Se non viene installato all'interno del proprio fondo, l'utilizzo di prodotti wireless LAN richiede una "autorizzazione Generale." Consultare www.comunicazioni.it/it/ per maggiori dettagli.

Norway, Switzerland and Liechtenstein: Although Norway, Switzerland and Liechtenstein are not EU member states, the EU Directive 2014/53/EC has also been implemented in those countries.

International (non-EU) Compliance Information

Brazil ANATEL Homologation Notice:

Antennas used with the XH2240 with a gain higher than 8.5dBi (for omnidirectional) and a gain of 9.5dBi (for other types of antennas) must be ANATEL homologated.

RF Exposure

Generic Information

Cambium Xirrus Access Point products are designed to comply with the following national and international standards on Human Exposure to Radio Frequencies:

- ◆ US 47 Code of Federal Regulations Part 2 Subpart J
- ◆ American National Standards Institute (ANSI) / Institute of Electrical and Electronic Engineers / IEEE C 95.1 (99)
- ◆ International Commission on Non Ionizing Radiation Protection (ICNIRP) 98
- ◆ Ministry of Health (Canada) Safety Code 6. Limits on Human Exposure to Radio Frequency Fields in the range from 3kHz to 300 GHz
- ◆ Australia Radiation Protection Standard

To ensure compliance with various national and international Electromagnetic Field (EMF) standards, the system should only be operated with Cambium Xirrus approved antennas and accessories.

Declaration on Conformity

This access point product has been found to be compliant to the requirements set forth in CFR 47 Section 1.1307 addressing RF Exposure from radio frequency devices as defined in Evaluating Compliance with FCC Guidelines for Human Exposure to Radio Frequency Electromagnetic Fields.

Use is permitted with antennas having an effective maximum gain of 9 dBi in the 2.4 GHz band and 6 dBi in the 5 GHz band. Antennas having a gain greater than this are strictly prohibited for use with this device. The required antenna impedance is 50 ohms. Effective maximum gain is antenna gain minus cable loss. A minimum separation distance of 31 cm between the antenna and all persons is required during normal operation.

Only antennas recommended by Cambium Xirrus for use with the product should be installed. The use of any other antennas may cause damage to the access points or violate regulatory emission limits and will not be supported by Cambium Networks.

International Guidelines for Exposure to Radio Waves

The Cambium Xirrus Access Points include radio transmitters and receivers. It is designed not to exceed the limits for exposure to radio waves (radio frequency electromagnetic fields) recommended by international guidelines. The guidelines were developed by an independent scientific organization (ICNIRP) and include a substantial safety margin designed to ensure the safety of all persons, regardless of age and health.

As such the systems are designed to be operated as to avoid contact with the antennas by the end user. It is recommended to set the system in a location where the antennas can remain at

least a minimum distance as specified from the user in accordance to the regulatory guidelines which are designed to reduce the overall exposure of the user or operator.

Separation Distance		
MPE	Distance	Limit
1.34 mW/cm ²	31 cm	1.00 mW/cm ²

The World Health Organization has stated that present scientific information does not indicate the need for any special precautions for the use of wireless devices. They recommend that if you are interested in further reducing your exposure then you can easily do so by reorienting antennas away from the user or placing the antennas at a greater separation distance then recommended.

FCC Guidelines for Exposure to Radio Waves

The device includes a radio transmitter and receiver. It is designed not to exceed the limits for exposure to radio waves (radio frequency electromagnetic fields) as referenced in FCC Part 1.1310. The guidelines are based on IEEE ANSI C 95.1 (92) and include a substantial safety margin designed to ensure the safety of all persons, regardless of age and health.

As such the systems are designed to be operated as to avoid contact with the antennas by the end user. It is recommended to set the system in a location where the antennas can remain at least a minimum distance as specified from the user in accordance to the regulatory guidelines which are designed to reduce the overall exposure of the user or operator.

Separation Distance		
MPE	Distance	Limit
1.34 mW/cm ²	31 cm	100 mW/cm ²

The device has been tested and found compliant with the applicable regulations as part of the radio certification process.

The US Food and Drug Administration has stated that present scientific information does not indicate the need for any special precautions for the use of wireless devices. The FCC recommends that if you are interested in further reducing your exposure then you can easily do so by reorienting antennas away from the user or placing the antennas at a greater separation distance then recommended or lowering the transmitter power output.

Industry Canada Guidelines for Exposure to Radio Waves

The Cambium Xirrus Access Points include radio transmitters and receivers. It is designed not to exceed the limits for exposure to radio waves (radio frequency electromagnetic fields) as

referenced in Health Canada Safety Code 6. The guidelines include a substantial safety margin designed into the limit to ensure the safety of all persons, regardless of age and health.

As such the systems are designed to be operated as to avoid contact with the antennas by the end user. It is recommended to set the system in a location where the antennas can remain at least a minimum distance as specified from the user in accordance to the regulatory guidelines which are designed to reduce the overall exposure of the user or operator.

Separation Distance		
MPE	Distance	Limit
1.34 mW/cm ²	31 cm	100 mW/cm ²

Health Canada states that present scientific information does not indicate the need for any special precautions for the use of wireless devices. They recommend that if you are interested in further reducing your exposure you can easily do so by reorienting antennas away from the user, placing the antennas at a greater separation distance than recommended, or lowering the transmitter power output.

Additional Information on RF Exposure

You can find additional information on the subject at the following links:

- ◆ FCC Bulletin 56: Questions and Answers about Biological Effects and Potential Hazards of Radio Frequency Electromagnetic Fields
- ◆ FCC Bulletin 65: Evaluating Compliance with the FCC guidelines for Human Exposure to Radio Frequency Electromagnetic Fields
- ◆ FCC Bulletin 65C (01-01): Evaluating Compliance with the FCC guidelines for Human Exposure to Radio Frequency Electromagnetic Fields: Additional Information for Evaluating Compliance for Mobile and Portable Devices with FCC limits for Human Exposure to Radio Frequency Emission

You can obtain additional information from the following organizations:

- ◆ World Health Organization Internal Commission on Non-Ionizing Radiation Protection at this URL: www.who.int/emf
- ◆ United Kingdom, National Radiological Protection Board at this URL: www.nrpb.org.uk
- ◆ Cellular Telecommunications Association at this URL: www.wow-com.com
- ◆ The Mobile Manufacturers Forum at this URL: www.mmfai.org

Customer Support

Please see [Contacting Cambium Networks](#).