

2ft 5.25–5.85 GHz High-Performance Antenna

.6m | 2ft High-Performance Parabolic Reflector Antenna, Dual-Polarized, Ultra-Wide-Band

QUICK LOOK:

Cambium Networks High-Performance, Dual Polarized, 5.25–5.85 GHz ultra-wide-band antennas provide ETSI class 2/3 radiation pattern performance as well as excellent gain. Field-proven preassembled antennas and robust pole-mounts ensure “set and forget” installation with minimal post-installation maintenance.



Features And Benefits

- Supports PTP 650, PTP 670, PTP 700, and PTP 450i connectorized radios
- 5.25 – 5.85 GHz ultra-wide band antenna allowing for ability to change radio frequencies while not changing the antenna
- Excellent gain and interference rejection across 5.25 – 5.85 GHz resulting in excellent front-to-back suppression
- Preassembled at the factory, simplifies installation on site and guarantees “factory-tested” quality
- Easy installation via mounting system included with the antenna
- Lightweight and rugged design
- Warranty – Industry leading 7-year warranty

General Specifications

Model	RDH4508C
Antenna Type	High-Performance Parabolic Reflector Antenna
Diameter, nominal	.6 m 2 ft
Polarization	Dual
Standard RF Connector Type	2 x N-Female
Country of origin	China

2ft 5.25–5.85 GHz High-Performance Antenna

Electrical Specifications

Operating Frequency Band 5.25 – 5.85 GHz

Half Power Beamwidth, Horizontal 6.1°

Half Power Beamwidth, Vertical 6.1°

Cross-Polar Discrimination 28 dB

Front to Back Ratio (F/B) 44 dB

Gain, Low Frequency 28.3 dBi

Gain, Mid Frequency 28.8 dBi

Gain, High Frequency 29.3 dBi

Return Loss 14 (Minimum)

VSWR 1.5 (Maximum)

Packaging

Package Type Cardboard

Gross Weight 48 lbs (21.8 kg)

Dimensions, L x W x H 31 x 31 x 25 in / .78 x .78 x .64 m

Shipping Volume 13.9 cu ft (.39 cu m)

Mechanical Specifications

Fine Azimuth Adjustment +/- 10°

Fine Elevation Adjustment +/- 30°

Mounting Pipe Diameter min/max 2 in (5.08 cm) / 1.54.5 in (11.4 cm)

Net Weight 27 lbs (12.2 kg)

Wind Velocity, Operational 90 mph (145 km/h)

Wind Velocity, Survival Rating 125 mph (200 km/h)

Operating Temperature Range -40°C to 60°C

Storage Temperature Range -50°C to 70°C

Regulatory Compliance

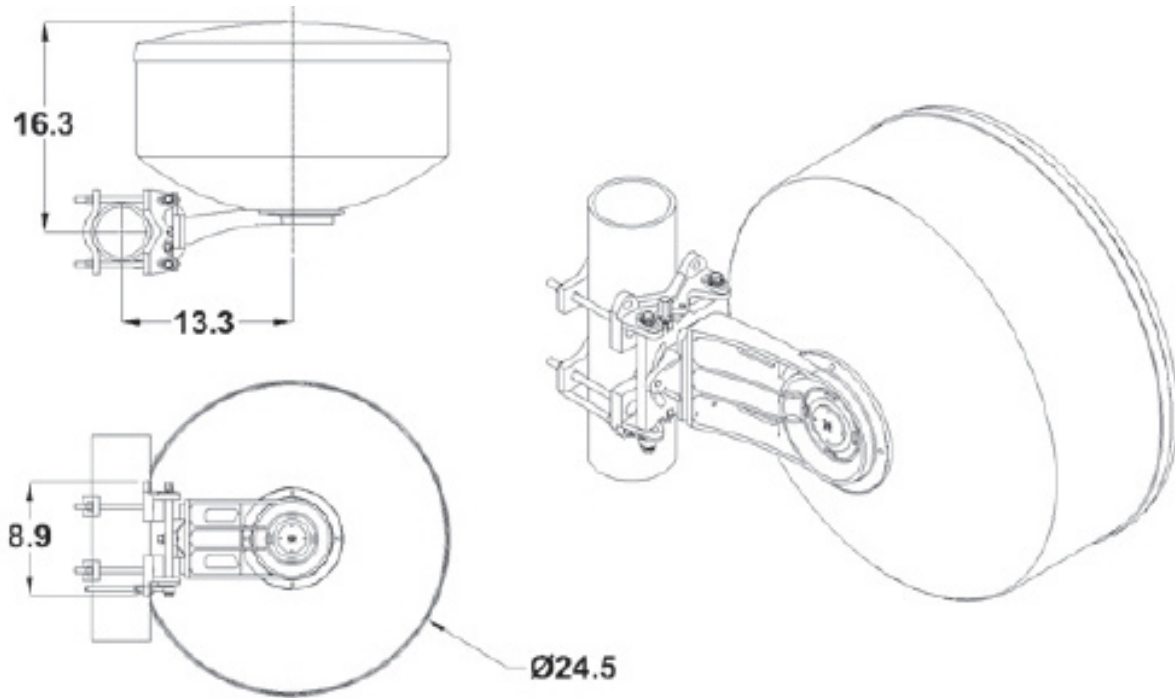
FCC Undeclared

Industry Canada Compliance Undeclared

ETSI Undeclared

RoHS-compliant Yes

2ft 5.25–5.85 GHz High-Performance Antenna



ABOUT CAMBIUM NETWORKS

Cambium Networks empowers millions of people with wireless connectivity worldwide. Its wireless portfolio is used by commercial and government network operators as well as broadband service providers to connect people, places and things. With a single network architecture spanning fixed wireless and Wi-Fi, Cambium Networks enables operators to achieve maximum performance with minimal spectrum. End-to-end cloud management transforms networks into dynamic environments that evolve to meet changing needs with minimal physical human intervention. Cambium Networks empowers a growing ecosystem of partners who design and deliver gigabit wireless solutions that just work.

cambiumnetworks.com

06022021