



## QUICK START GUIDE

### cnVision SERIES

- 5 GHz Hub-360r
- 5 GHz Hub-FLEXr
- 5 GHz Client-MAXr
- 5 GHz Client-MAXrp
- 5 GHz Client-MINI
- 5 GHz Client-MICRO



# Content

<b>ENGLISH (UK, IE, NO)</b> .....	<b>4</b>
Intended Use   Installation   Operation .....	5
Installation   Operation   Safety .....	5
Safety .....	6
Power Supply .....	6
Mounting .....	7
Configuration .....	7
Operating in the EU .....	7
Waste Electrical and Electronic Equipment (WEEE) directive .....	8
Cambium Networks .....	9
<b>CZECH (CZ)</b> .....	<b>10</b>
Určení   Instalace   Provoz .....	11
Instalace   Provoz   Bezpečnost .....	11
Bezpečnost .....	12
Zdroj napájení .....	12
Montáž .....	12
Pokyny pro montáž naleznete v montážním ideogramu. (Klikněte zde) .....	12
Nastavení .....	12
Provoz v Evropské unii .....	13
Směrnice o odpadních elektrických a elektronických zařízeních (OEEZ) .....	13
Cambium Networks .....	15
<b>FRENCH (FR)</b> .....	<b>16</b>
Usage prévu   Installation   Utilisation .....	17
Installation   Utilisation   Sécurité .....	17
Sécurité .....	18
Alimentation électrique .....	18
Montage .....	19
Configuration .....	19
Exploitation dans l'UE .....	19
Directive liée aux déchets d'équipements électriques et électroniques (DEEE) .....	20
Cambium Networks .....	21
<b>SPANISH (ES)</b> .....	<b>22</b>
Uso previsto   Instalación   Operación .....	23
Instalación   Operación   Seguridad .....	23
Seguridad .....	24
Fuente de alimentación .....	24
Montaje .....	25
Configuración .....	25
Operación en la UE .....	25
Directiva de Residuos de Aparatos Eléctricos y Electrónicos (RAEE) .....	26
Cambium Networks .....	27
<b>ITALIAN (IT)</b> .....	<b>28</b>
Uso previsto   Installazione   Funzionamento .....	29
Installazione   Funzionamento   Sicurezza .....	29
Sicurezza .....	30

Alimentatore.....	30
Montaggio.....	31
Configurazione .....	31
Funzionamento nell'UE.....	31
Direttiva sui Rifiuti di apparecchiature elettriche ed elettroniche (RAEE) .....	32
Cambium Networks.....	33
<b>POLISH (PL) .....</b>	<b>34</b>
Przeznaczenie   Instalacja   Obsługa.....	35
Instalacja   Obsługa   Bezpieczeństwo.....	35
Bezpieczeństwo .....	36
Zasilanie .....	36
Montaż.....	37
Konfiguracja.....	37
Możliwość funkcjonowania na obszarze UE .....	37
Dyrektywa o zużytych sprzęcie elektrycznym i elektronicznym (WEEE) .....	38
Cambium Networks.....	39
<b>TURKISH (TR) .....</b>	<b>40</b>
Kullanım Amacı   Kurulum   Çalıştırma.....	41
Kurulum   Çalıştırma   Güvenlik .....	41
Güvenlik .....	42
Güç Kaynağı .....	42
Montaj .....	43
Konfigürasyon.....	43
AB'de Çalıştırma.....	43
Atık Elektrikli ve Elektronik Ekipmanlar (WEEE) direktifi.....	44
Cambium Networks.....	45
<b>HUNGARIAN (HU).....</b>	<b>46</b>
Rendeltetésszerű használat   Telepítés   Üzemeltetés.....	47
Telepítés   Üzemeltetés   Biztonság .....	47
Személybiztonság.....	48
Tápegység .....	48
A felszerelés módja .....	49
Konfigurálás .....	49
EU-beli használhatóság .....	49
Az elektromos és elektronikus berendezések hulladékairól (WEEE) szóló irányelv:.....	50
Cambium Networks.....	51
<b>MOUNTING .....</b>	<b>52</b>

## Accuracy

While reasonable efforts have been made to assure the accuracy of this document, Cambium Networks assumes no liability resulting from any inaccuracies or omissions in this document, or from use of the information obtained herein. Cambium Networks reserves the right to make changes to any products described herein to improve reliability, function, or design, and reserves the right to revise this document and to make changes from time to time in content hereof with no obligation to notify any person of revisions or changes. Cambium Networks does not assume any liability arising out of the application or use of any product, software, or circuit described herein; neither does it convey license under its patent rights or the rights of others. It is possible that this publication may contain references to, or information about Cambium Networks products (machines and programs), programming, or services that are not announced in your country. Such references or information must not be construed to mean that Cambium Networks intends to announce such Cambium Networks products, programming, or services in your country.

## Copyrights

This document, Cambium Networks products, and 3rd Party software products described in this document may include or describe copyrighted Cambium Networks and other 3rd Party supplied computer programs stored in semiconductor memories or other media. Laws in the United States and other countries preserve for Cambium Networks, its licensors, and other 3rd Party supplied software certain exclusive rights for copyrighted material, including the exclusive right to copy, reproduce in any form, distribute and make derivative works of the copyrighted material. Accordingly, any copyrighted material of Cambium Networks, its licensors, or the 3rd Party software supplied material contained in the Cambium Networks products described in this document may not be copied, reproduced, reverse engineered, distributed, merged or modified in any manner without the express written permission of Cambium Networks. Furthermore, the purchase of Cambium Networks products shall not be deemed to grant either directly or by implication, estoppel, or otherwise, any license under the copyrights, patents or patent applications of Cambium Networks or other 3rd Party supplied software, except for the normal non-exclusive, royalty free license to use that arises by operation of law in the sale of a product.

## Restrictions

Software and documentation are copyrighted materials. Making unauthorized copies is prohibited by law. No part of the software or documentation may be reproduced, transmitted, transcribed, stored in a retrieval system, or translated into any language or computer language, in any form or by any means, without prior written permission of Cambium Networks.

## License Agreements

The software described in this document is the property of Cambium Networks and its licensors. It is furnished by express license agreement only and may be used only in accordance with the terms of such an agreement.

## High Risk Materials

Cambium and its supplier(s) specifically disclaim any express or implied warranty of fitness for any high risk activities or uses of its products including, but not limited to, the operation of nuclear facilities, aircraft navigation or aircraft communication systems, air traffic control, life support, or weapons systems (“High Risk Use”). Any High Risk is unauthorized, is made at your own risk and you shall be responsible for any and all losses, damage or claims arising out of any High-Risk Use.

## Intended Use | Installation | Operation

The Cambium Networks cnVision products support data transmission over Point to Multipoint (PMP) and Point to Point (PTP) microwave links. This radio equipment is intended for professional applications for fixed outdoor installations only. These radios are available with an integrated antenna.

Connectorized units can operate with a selection of separately-purchased dual-polarity external antennas through 2 x SMA-type female connectors. The installer is responsible to operate the radio equipment and the accessories as intended and according to the description provided by the antenna manufacturer. The maximum antenna gain allowed for external antennas is 25 dBi for subscriber modules and 17 dBi for access point sectors.

Installation and operation of this product is complex, and Cambium therefore recommends professional installation and management of the system to ensure that operation complies with the regulations of the region where the product is installed. Please follow the instructions in this leaflet. Further guidance on PMP / PTP installation and operation is available in the product user guide.

The installer must have sufficient skills, knowledge and experience to perform the installation task and is responsible for:

- Familiarity with current applicable national regulations including radio regulations, electrical installation regulations, surge protection regulations and 'working at heights' regulations
- Installation in accordance with Cambium Networks instructions
- Confirming that the equipment settings are compliant with national or regional regulations

## Installation | Operation | Safety

Please observe the following important instructions during installation. This will set the equipment in compliance with national regulatory regulations.

- Ensure that the equipment is fitted with the latest firmware version (System Release 3.5.5 or 4.1.X or later). The software is available from the Cambium Support Center web site.
- During equipment set-up, verify that the correct region code is set (the region code is pre-set in the factory for EU products) and then select the correct country code for the particular country where the product is being deployed.
- For connectorized units, enter the antenna gain into the 'Antenna Gain' setting under the 'Configuration > Radio' menu.

Observe the following safety rules:

- Ensure that the device and the structure to which it is mounted is capable of withstanding the maximum wind speeds at a proposed site.
- Always power down and unplug the equipment before servicing. The cnVision power supply is the primary disconnect device.
- Strong radio frequency (RF) fields will be present close to the antenna when the transmitter is on. Always turn off the power to the device before undertaking maintenance activities in front of the antenna.
  - Observe the minimum safe distance limit for cnVision products provided below.
  - Ensure that equipment is installed in a position avoiding any radiation hazard to humans.
- Exercise extreme care when working at heights. Observe national 'working at heights' regulations. Use trained 'competent' staff.
- Exercise extreme care when working near power lines.

## Safety

- cnVision devices and mounting structures must be properly grounded to protect against lightning. It is the user's responsibility to install the equipment in accordance with national regulations. It is recommended that installation be contracted to a professional installer.
- Always use the specified cnVision platform power supply units (PSU) to power the equipment. Failure to use the specified Cambium supplied PoE could result in equipment damage and may cause a safety hazard.
- Structures, equipment, and people must be protected against electrostatic discharge:
  - by siting equipment in a lightning protection zone
  - by installation of appropriate lightning conductors to conduct the surge current to ground via a separate preferential solid path.
- The enclosure may be hot to the touch when in operation.
- Safety may be compromised if outdoor rated cables are not used for connections that will be exposed to the outdoor environment. Install Cambium recommended cables.



Attention This product meets the UL/cUL 62368 / IEC 62368 edition 2 specification, and the radio housings are designed to be raintight.



Attention All RJ45 Ethernet LAN cables used for providing power or are connected to power ports (PoE) must be UL certified with VW-1 markings.

## Power Supply

The power supply unit that is connected to the ePMP modules is rated for indoor use. The cnVision modules are installed outdoors and terminated to network equipment using Cat5e cables with RJ45 connectors. The Cat5e cables are plugged into an AC or DC power supply to inject Power over Ethernet (PoE) into the module. The Cat5e cables connected to the power supply transitioning from indoors to outdoors must be rated for outdoor use.



Attention This product is intended to be supplied by a UL Listed Power Supply Unit marked "LPS" or "PS2" and providing power over the Ethernet (PoE) supply.



## Mounting

Refer to the [Mounting ideogram](#) for mounting instructions.

## Configuration

### Configuring the management PC

- 1 Select Properties for the Ethernet port. In Windows 7 this is found in Control Panel > Network and Internet > Network Connections > Local Area Connection.
- 2 Select Internet Protocol (TCP/IP):
- 3 Click Properties.
- 4 Enter an IP address that is valid for the 169.254.X.X network, avoiding 169.254.0.0 and 169.254.1.1. A good example is 169.254.1.3:
- 5 Enter a subnet mask of 255.255.0.0. Leave the default gateway blank.

### Connecting to the PC and powering up

- 1 Check that the ODU ETH port is connected to the Ethernet + Power port of the power supply.
- 2 Connect the PC Ethernet port to the LAN port of the PSU using a standard (not crossed) Ethernet cable.
- 3 Apply mains or battery power to the PSU. The green Power LED should illuminate continuously.
- 4 Check that the ODU red Ethernet LED illuminates continuously.
- 5 Open a web browser and type: 169.254.1.1. When prompted, enter admin/admin to login to the GUI and complete the configuration.

### Conforming to the limits

Ensure the link is configured to conform to local regulatory requirements by configuring the Country parameter (located in the web management interface at Configuration > Radio > General).

When using connectorized devices with external antennas, also ensure that the antenna gain is configured correctly in the device (the Antenna Gain parameter is located in the web management interface at Configuration > Radio > Power Control).

## Operating in the EU

In the EU, the 5 GHz cnVision products operate in the following frequency bands up to the maximum power shown:

Operating Frequency Band	EU Standard	Maximum Power Limit (EIRP)	Permitted usage	5 GHz units that support this frequency band
5470 - 5725 MHz	EN 301 893	1 Watt / 30 dBm	Available for general usage within all EU nations	All CNVISION
5725 - 5875 MHz	EN 302 502	4 Watts / 36 dBm	Permitted in some EU nations, see notes 1 - 5	All CNVISION

Note 1: Operation in the 5.8 GHz band is not permitted in the following European countries: AT, BG, CZ, CY, FR, HR, IT, LU, LV, NL, PL, TR. In other countries, government licenses may be required to allow operation, please check your national government website.

- Note 2 The radio applies national frequency allocations, power and DFS settings for each country code.
- Note 3: In the UK and Ireland, light licensing applies. Obtain a license from your government website.
- Note 4: For Norway, use of the 5725–5795 MHz and 5815–5850 MHz frequency bands are authorized.
- Note 5: 5725 –5875 MHz operation is enabled by downloading and applying a license key from the Cambium website.

For cnVision products deployed in the EU, the minimum safe distance between the equipment and humans is 10 cm.

## Restrictions & requirements for authorization for use

- This radio equipment is for outdoor use only.
- The cnVision products can be configured to operate in unlicensed frequency bands subject to frequency planning within individual countries. Operators / End users must ensure that the equipment is installed and operated in accordance with the regulations applicable to the country of operation and obtain any necessary licenses or permits.

## Simplified EU declaration of conformity

Hereby, the manufacturer Cambium Networks Ltd, declares that the radio equipment types cnVision cnVision Hub-FLEXr 5 GHz / 5 GHz Client-MAXr / 5 GHz Client-MAXrp / 5 GHz Client-MINI Radio / 5 GHz Client-MICRO are in compliance with Directive 2014/53/EU. The full text of the EU declaration of conformity is available at the following internet address: [http://www.cambiumnetworks.com/ec\\_dofc](http://www.cambiumnetworks.com/ec_dofc).

## Waste Electrical and Electronic Equipment (WEEE) directive



Please do not dispose of Electronic and Electric Equipment or Electronic and Electric Accessories with your household waste. In some countries or regions, collection systems have been set up to handle waste of electrical and electronic equipment. In European Union countries, please contact your local equipment supplier representative or Cambium Networks Support Centre for information about the waste collection system in your country.



## Cambium Networks

Cambium Networks provides professional grade fixed wireless broadband and microwave solutions for customers around the world. Our solutions are deployed in thousands of networks in over 153 countries, with our innovative technologies providing reliable, secure, cost-effective connectivity that's easy to deploy and proven to deliver outstanding performance.

Our award-winning Point to Point (PTP) radio solutions operate in licensed, unlicensed and defined use frequency bands including specific FIPS 140-2 solutions for the U.S. Federal market. Ruggedized for 99.999% availability, our PTP solutions have an impeccable track record for delivering reliable high-speed backhaul connectivity even in the most challenging non-line-of-sight RF environments.

Our flexible Point-to-Multipoint (PMP) solutions operate in the licensed, unlicensed and federal frequency bands, providing reliable, secure, cost effective access networks. With more than three million modules deployed in networks around the world, our PMP access network solutions prove themselves day-in and day-out in residential access, leased line replacement, video surveillance and smart grid infrastructure applications.

Cambium Networks solutions are proven, respected leaders in the wireless broadband industry. We design, deploy and deliver innovative data, voice and video connectivity solutions that enable and ensure the communications of life, empowering personal, commercial and community growth virtually everywhere in the world.

User Guides: <http://www.cambiumnetworks.com/guides>

Technical training: <https://learning.cambiumnetworks.com>

Support website: <https://support.cambiumnetworks.com>

Address: Cambium Networks Limited,  
Linhay Business Park,  
Eastern Road  
Ashburton,  
Devon, TQ13 7UP  
United Kingdom

## Správnost

Ačkoli jsme vynaložili velké úsilí, abychom zajistili správnost tohoto dokumentu, společnost Cambium Networks nepřijímá žádnou odpovědnost za následky způsobené nepřesnostmi, vynecháním údajů nebo použitím informací v tomto dokumentu. Společnost Cambium Networks si vyhrazuje právo změnit jakýkoli zde popsany produkt v zájmu zlepšení jeho spolehlivosti, funkčnosti nebo designu. Dále si vyhrazuje právo tento dokument upravovat a čas od času změnit jeho obsah, přičemž nemá žádnou povinnost kohokoli o takových úpravách či změnách informovat. Společnost Cambium Networks nepřijímá žádnou odpovědnost vzešlou z použití jakéhokoli zde popsaného produktu, softwaru nebo obvodu a neuděluje žádnou licenci v rámci svých patentových práv ani práv jiných subjektů. Tato publikace může obsahovat zmínky nebo informace o produktech (hardwaru a softwaru), programových nabídkách nebo službách, které se ve vaší zemi nenabízí. Takové zmínky ani informace nesmí být vykládány jako záměr společnosti Cambium Networks dané produkty, programové nabídky nebo služby společnosti Cambium Networks začít ve vaší zemi nabízet.

## Autorská práva

Tento dokument, produkty společnosti Cambium Networks a softwarové produkty třetích stran popsané v tomto dokumentu mohou obsahovat nebo popisovat počítačové programy chráněné autorskými právy, které dodala společnost Cambium Networks nebo jiní dodavatelé a které jsou uloženy v polovodičových pamětech nebo na jiných médiích. Zákony ve Spojených státech a v jiných zemích chrání určitá výhradní práva společnosti Cambium Networks, držitelů jejích licencí a dalších externích dodavatelů softwaru na materiál chráněný autorskými právy, a to včetně výhradního práva na kopírování, reprodukci v jakékoli formě, distribuci a vytváření odvozenin z původního materiálu. Žádný materiál chráněný autorskými právy společnosti Cambium Networks, držitelů jejích licencí ani materiál dodaný třetími stranami a obsažený v produktech společnosti Cambium Networks popsaných v tomto dokumentu tedy nesmí být kopírován, reprodukován, nesmí být prováděno jeho reverzní inženýrství, nesmí být distribuován, slučován ani jakkoli upravován bez výslovného písemného svolení společnosti Cambium Networks. Zakoupení produktů Cambium Networks dále nelze považovat za udělení, přímo ani formou implikace, překážky uplatnění nároku či jinak, jakékoli licence v rámci autorských práv, patentů nebo patentových žádostí společnosti Cambium Networks nebo jiného dodavatele softwaru, vyjma standardní nevýhradní bezplatné licence na použití, která vzniká ze zákona v okamžiku prodeje produktu.

## Omezení

Software a dokumentace jsou chráněny autorskými právy. Vytváření neoprávněných kopií je za zákona zakázáno. Žádná část tohoto softwaru ani dokumentace nesmí být reprodukována, přenášena, prepisována, ukládána v žádném systému vyhledávání informací ani překládána do žádného jazyka ani počítačového jazyka, v žádné formě a žádným způsobem, bez předchozího písemného souhlasu společnosti Cambium Networks.

## Licenční dohody

Software popsaný v tomto dokumentu je majetkem společnosti Cambium Networks a držitelů jejích licencí. Je poskytován pouze na základě výslovné licenční dohody a smí být používán pouze v souladu s podmínkami dané dohody

## Vysoce rizikové činnosti

Společnost Cambium a její dodavatelé výslovně odmítají veškeré konkrétní i implikované záruky vhodnosti pro jakékoli vysoce rizikové činnosti nebo způsoby použití jejich produktů včetně, avšak nikoli výhradně, provozu jaderných zařízení, navigace letadel a leteckých komunikačních systémů, řízení leteckého provozu, zbraňových systémů a podpory života (dále jen „vysoce rizikové použití“). Veškeré vysoce rizikové použití je neoprávněné, provádíte jej na vlastní riziko a budete také odpovědní za veškeré ztráty, škody či nároky, které z takového vysoce rizikového použití vzejdou.

## Určení | Instalace | Provoz

Rádiová zařízení Cambium Networks cnVision podporují přenos dat po mikrovlnných spojích Point to MultiPoint (PMP) a Point to Point (PTP). Slouží k profesionálnímu užití a výhradně k venkovnímu upevnění. Dodávají se s integrovanou anténou.

Zařízení vybavená konektory lze používat s různými bipolárními externími anténami, které se připojují pomocí 2 samičích konektorů SMA. Antény je třeba zakoupit samostatně. Pracovník zajišťující montáž je zodpovědný za to, aby bylo rádiové zařízení s příslušenstvím provozováno správným způsobem a v souladu s popisem uvedeným výrobcem antény. Maximální povolený zisk externí antény je 25 dBi u účastnických modulů a 17 dBi u sektorových přístupových bodů.

Instalace a provoz tohoto zařízení jsou poměrně komplexní. Společnost Cambium tedy doporučuje odbornou montáž a správu systému, která mimo jiné zajistí soulad provozu s platnými předpisy regionu, kde se zařízení provozuje. Dodržujte pokyny uvedené v tomto letáku. Další pokyny ohledně instalace a provozu PMP/PTP naleznete v uživatelské příručce k zařízení, viz odkaz níže.

Pracovník zajišťující montáž musí být dostatečně kvalifikovaný a je zodpovědný za:

- znalost příslušných platných národních předpisů včetně předpisů o rádiovém provozu, elektrických instalacích, ochraně proti přepětí a předpisů o práci ve výškách,
- montáž podle pokynů společnosti Cambium Networks,
- ověření souladu nastavení zařízení s národními a regionálními předpisy.

## Instalace | Provoz | Bezpečnost

Během montáže dodržujte uvedené pokyny. Zajistíte tím soulad zařízení s národními předpisy.

- Zkontrolujte, zda je zařízení vybaveno aktuálním firmwarem (System Release 3.5.5, 4.1.X nebo novější). Software je k dispozici na stránce centra podpory Cambium.
- Při nastavování zařízení zkontrolujte správnost kódu regionu (u produktů z EU se kód regionu přednastavuje při výrobě) a pak podle umístění zařízení nastavte správný kód země.
- U zařízení s konektorem zadejte v nabídce „Konfigurace > Rádio“ (Configuration > Radio) hodnotu „Zisk antény“ (Antenna Gain) podle zisku použité antény.

Dodržujte následující bezpečnostní pokyny:

- Přesvědčte se, že zařízení (i s konstrukcí, ke které je připevněné) odolá maximální síle větru v uvažované lokalitě.
- Před servisními zásahy vždy zařízení vypněte a odpojte. Odpojení se provádí primárně prostřednictvím napájecího zdroje cnVision.
- V blízkosti antény zapnutého vysílače působí zdraví škodlivé radiofrekvenční záření. Před prováděním údržby v prostoru před anténou vždy zařízení vypněte.
  - U produktů cnVision dodržujte níže uvedenou minimální bezpečnou vzdálenost.
  - Dbejte na to, aby bylo zařízení instalováno v takové poloze, která nezpůsobí vystavení osob škodlivému záření.
- Při výškových pracích dbejte maximální opatrnosti. Dodržujte vnitrostátní předpisy o práci ve výškách. Využívejte služeb odborně způsobilých pracovníků.
- Při práci v blízkosti elektrických vedení dbejte maximální opatrnosti.

## Bezpečnost

- Zařízení cnVision a upevňovací konstrukce je nutné náležitě uzemnit a zajistit jejich ochranu před bleskem. Za instalaci v souladu s národními předpisy odpovídá uživatel. Instalaci doporučujeme svěřit odborníkům.
- K napájení zařízení vždy používejte určený napájecí zdroj (PSU) platformy cnVision. Pokud určený zdroj PoE dodaný společností Cambium nepoužijete, může dojít k poškození zařízení a ohrožení bezpečnosti.
- Konstrukce, zařízení a osoby musí být chráněny proti elektrostatickému výboji:
  - umístěním zařízení do zóny chráněné proti bleskům a
  - instalací vhodných bleskosvodů, které výboj odvedou do země preferovanou cestou.
- Kryt zařízení může být při provozu horký.
- Připojovací kabely vystavené venkovnímu prostředí musí být určeny pro venkovní užití, jinak může dojít k ohrožení bezpečnosti. Použijte kabely doporučené společností Cambium.

## Zdroj napájení

Zdroj napájení je interiérové zařízení, které se k modulu cnVision a koncovému zařízení sítě připojuje kabelem Cat5e s konektory RJ45. Kromě toho je třeba ho připojit ke zdroji střídavého nebo stejnosměrného napájení, aby mohl napájet rádiový modul prostřednictvím technologie Power over Ethernet (PoE). Doporučujeme použít napájecí zdroj dodaný se zařízením.

## Montáž

Pokyny pro montáž naleznete v montážním ideogramu. ([Klikněte zde](#))

## Nastavení

### Konfigurace počítače používaného ke správě

- 1 Otevřete okno Vlastnosti ethernetového portu. Ve Windows 7 je najdete v nabídce Ovládací panely > Síť a internet > Síťová připojení > Připojení k místní síti.
- 2 Vyberte Protokol TCP/IP (Internet Protocol):
- 3 Klikněte na Vlastnosti.
- 4 Zadejte IP adresu platnou pro síť 169.254.X.X, nepoužívejte však adresy 169.254.0.0 a 169.254.1.1. Dobrým příkladem je 169.254.1.3.:
- 5 Zadejte masku podsítě 255.255.0.0. Výchozí bránu ponechte nevyplněnou.

### Připojení k počítači a zapnutí

- 1 Zkontrolujte, že je ethernetový port venkovní jednotky připojený k portu Ethernet + Power zdroje napájení.
- 2 Pomocí běžného (nekříženého) ethernetového kabelu propojte ethernetový port počítače s portem „LAN“ napájecího zdroje.
- 3 Připojte napájecí zdroj k elektrické síti nebo k baterii. Rozsvítí se zelená dioda Power (Napájení).
- 4 Zkontrolujte, zda na venkovní jednotce svítí červená dioda Ethernet.
- 5 Otevřete webový prohlížeč a do adresního řádku napište: 169.254.1.1 Až budete dotázáni na přihlašovací údaje, zadejte do příslušných polí admin/admin.

### Dodržování limitů

Vyberte příslušný parametr Země (Country) (najdete ji ve webovém administrátorském rozhraní v nabídce Konfigurace > Rádio > Všeobecné (Configuration > Radio > General)), aby bylo rádiové zařízení nastavené podle místních předpisů.

Pokud používáte zařízení s konektory a externími anténami, zkontrolujte také správné nastavení zisku antény (parametr Zisk antény (Antenna Gain) se nachází v nabídce Konfigurace > Rádio > Řízení výkonu (Configuration > Radio > Power Control)).

## Provoz v Evropské unii

V EU se zařízení cnVision 5 GHz provozují v těchto frekvenčních pásmech a s uvedeným maximálním provozním výkonem:

Provozní frekvenční pásmo	Standard EU	Maximální povolený výkon (EIRP)	Povolené užití	Zařízení 5 GHz podporující toto frekvenční pásmo
5470 – 5725 MHz	EN 301 893	1 Watt / 30 dBm	Určeno pro obecné užití ve všech zemích EU	Všechna zařízení cnVision
5725 – 5875 MHz	EN 302 502	4 Watts / 36 dBm	Povoleno v některých zemích EU, viz poznámky 1-5	Všechna zařízení cnVision

Poznámka 1: Provoz v pásmu 5,8 GHz není povolený v následujících evropských zemích: Bulharsko, Česká republika, Francie, Chorvatsko, Itálie, Kypr, Lotyšsko, Lucembursko, Nizozemsko, Polsko, Rakousko, Turecko. V ostatních zemích může být k provozu nezbytná licence od státu. Potřebné informace zjistíte na webu státní správy své země.

Poznámka 2: Rádiové zařízení podle kódu země nastaví přidělené frekvence, výkon a dynamickou volbu frekvence (DFS).

Poznámka 3: Ve Velké Británii a Irsku platí mírný licenční režim. Licenci získáte na webové stránce státní správy..

Poznámka 4: V Norsku je použití frekvenčních pásem 5725–5795 MHz a 5815–5850 MHz povoleno.

Poznámka 5: Provoz v pásmu 5725 –5875 MHz aktivujete stažením a použitím licenčního klíče z webu společnosti Cambium..

U zařízení řady cnVision instalovaných v EU odpovídá minimální bezpečná vzdálenost mezi zařízeními a osobami 10 cm.

### Omezení a požadavky na povolení k použití

- Toto rádiové zařízení je určeno pouze k venkovnímu použití.
- Zařízení cnVision můžete provozovat v bezlicenčních frekvenčních pásmech v souladu s určenými frekvencemi v jednotlivých zemích. Provozovatelé a koncoví uživatelé musí zajistit, že se zařízení bude instalovat i provozovat v souladu s předpisy platnými v dané zemi a bude mít všechny potřebné licence a povolení.

### Zjednodušené EU prohlášení o shodě

Výrobce, Cambium Networks Ltd, tímto prohlašuje, že rádiová zařízení typu cnVision nVision Hub-FLEXr 5 GHz / 5 GHz Client-MAXr / 5 GHz Client-MAXrp / 5 GHz Client-MINI Radio / 5 GHz Client-MICRO jednotka s integrovanou anténou splňují požadavky směrnice 2014/53/EU. Úplné znění prohlášení o shodě pro EU je dostupné na internetové adrese [http://www.cambiumnetworks.com/ec\\_dofc](http://www.cambiumnetworks.com/ec_dofc)

## Směrnice o odpadních elektrických a elektronických zařízeních (OEEZ)



Nevyhazujte elektrická a elektronická zařízení ani elektrické a elektronické příslušenství do domovního odpadu. V některých zemích a regionech fungují systémy zajišťující sběr odpadních elektrických a elektronických zařízení. V zemích Evropské unie kontaktujte zástupce svého dodavatele zařízení nebo centrum podpory společnosti Cambium Networks a požádejte o informace o systému sběru odpadu ve své zemi.

## Cambium Networks

Společnost Cambium Networks dodává profesionální pevná bezdrátová širokopásmová a mikrovlnná řešení pro zákazníky z celého světa. Naše řešení fungují v tisících sítí ve více než 153 zemích, kde naše inovativní technologie zajišťují spolehlivou, bezpečnou a cenově efektivní konektivitu. Jejich instalace je snadná a zaručeně přináší skvělý výkon.

Naše oceňovaná rádiová řešení typu Point to Point (PTP) pracují v licencovaných i bezlicenčních frekvenčních pásmech a v pásmech se specifickým použitím včetně speciálních řešení FIPS 140-2 pro americký federální trh. Řešení typu PTP díky své vysoké odolnosti nabízejí 99,999% dostupnost. S dokonalou spolehlivostí zajišťují vysokorychlostní páteřní spojení i v těch z hlediska vysokofrekvenčních přenosů nejnáročnějších nepřímých prostředích.

Flexibilní řešení typu Point-to-Multipoint (PMP) pracují v licenčních, bezlicenčních a federálních frekvenčních pásmech a zajišťují spolehlivé, bezpečné a cenově výhodné fungování přístupových sítí. V sítích na celém světě jsou nainstalované více než tři miliony modulů. Řešení přístupových sítí typu PMP se osvědčila v každodenním provozu v obytných oblastech, jako náhrada pronajatých linek i v oblasti video dozoru a infrastruktury chytrých sítí.

Řešení od společnosti Cambium Networks jsou osvědčenou a respektovanou jedničkou v oboru bezdrátových širokopásmových sítí. Vyvíjíme, vyrábíme a dodáváme inovativní řešení pro datovou, hlasovou a video konektivitu, která umožňují a zajišťují každodenní komunikaci a napomáhají osobnímu, obchodnímu i komunitnímu rozvoji v podstatě po celém světě.

Uživatelské příručky: <http://www.cambiumnetworks.com/guides>

Odborná školení: <https://learning.cambiumnetworks.com>

Webová stránka podpory: <https://support.cambiumnetworks.com>

Adresa: Cambium Networks Limited,  
Linhay Business Park,  
Eastern Road  
Ashburton,  
Devon, TQ13 7UP  
Velká Británie



## Exactitude des informations

Bien qu'un effort raisonnable ait été fait pour s'assurer de l'exactitude des informations contenues dans ce document, Cambium Networks n'endosse aucune responsabilité pour toute imprécision ou omission pouvant figurer dans ce document ou de l'utilisation des informations obtenue dans celui-ci. Cambium Networks se réserve le droit d'effectuer des modifications à tout produit décrit ci-après dans le but d'améliorer sa fiabilité, sa fonctionnalité ou sa conception, et se réserve le droit de réviser ce document et d'en modifier périodiquement le contenu sans obligation de notifier quiconque des dites révisions ou changements. Cambium Networks n'endosse aucune responsabilité résultant de l'application ou utilisation de tout produit, logiciel, ou circuit décrit ci-après, et il n'en résulte aucune concession de licence sous ses droits de brevet ou les droits de tiers. Cette publication peut éventuellement contenir des informations liées ou des références aux produits (appareils et programmes), la programmation ou les services de Cambium Networks qui n'ont pas été annoncés dans votre pays. De telles références ou informations ne doivent pas être considérées comme impliquant l'intention de Cambium Networks d'annoncer les dits produits, programmations, ou services de Cambium Networks dans votre pays.

## Copyright

Ce document, les produits de Cambium Networks et les autres produits logiciels de tierces parties décrits dans ce document peuvent inclure ou décrire des programmes informatiques sous copyright de Cambium Networks ou fournis par une tierce partie étant stockés dans la mémoire d'un semi-conducteur ou sur un autre support. Les lois des États-Unis et d'autres pays préservent certains droits exclusifs pour les matériels sous copyright à Cambium Networks, ses concédants et autres logiciels fournis par tierces parties, y compris le droit exclusif de copier, de reproduire sous une forme quelconque, de distribuer et de réaliser des travaux dérivés des matériels sous copyright. En conséquence, tout matériel sous copyright de Cambium Networks, ses concédants, ou les logiciels de tierces parties fournis contenus dans les produits de Cambium Networks décrits dans ce document ne sauraient être copiés, reproduits, soumis à une ingénierie inverse, distribués, fusionnés ou modifiés de quelque manière que ce soit sans le consentement express par écrit de Cambium Networks. En outre, l'achat de produits de Cambium Networks ne saurait être considéré concéder, que ce soit directement par voie de conséquence, irrecevabilité ou autre, une licence sous le copyright, les brevets ou les applications de brevets de Cambium Networks ou tout autre logiciel fourni par une tierce partie, à l'exception de la licence normale, non exclusive et libre de droits qui résulte de la vente d'un produit dans le cadre légal prévu par la loi.

## Restrictions

Le logiciel et la documentation sont des supports couverts par copyright. La loi interdit d'en faire des copies non autorisées. Aucune partie du logiciel ou de la documentation ne peut être reproduite, transmise, transcrite, stockée dans un système d'extraction d'informations, ou traduite dans une langue ou un langage informatique quelconque, sous toute forme ou par tout moyen, sans la permission écrite préalable de Cambium Networks.

## Accords de licence

Le logiciel décrit dans ce document est la propriété de Cambium Networks et de ses concédants. Il est fourni uniquement par accord de licence express et peut uniquement être utilisé conformément avec les termes de cet accord.

## Supports à haut risque

Cambium et son/ses fournisseur(s) n'endossent aucune garantie expresse ou implicite d'adéquation pour toute activité à haut risque de ses produits, y compris mais sans s'y limiter, l'exploitation des installations nucléaires, la navigation aérienne ou les systèmes de communication aérien, le contrôle du trafic aérien, les systèmes de survie ou les systèmes d'armes (« Usage à haut risque »). Tout Usage à haut risque est interdit et se fait à vos propres risques. Vous serez en outre tenu responsable de l'ensemble des pertes, dommages et réclamations découlant de tout Usage à haut risque.

## Usage prévu | Installation | Utilisation

Les radios cnVision de Cambium Networks prennent en charge la transmission des données sur liaisons par micro-ondes point-à-multipoints (PMP) et point-à-point (PTP). Cet équipement radio est destiné aux applications professionnelles pour installations extérieures fixes uniquement. Ces radios sont disponibles avec une antenne intégrée.

Les unités connectées peuvent fonctionner avec une sélection d'antennes externes à double polarité achetées séparément via 2 connecteurs femelles de type SMA. L'installateur est responsable d'utiliser l'équipement radio et les accessoires selon l'usage prévu et conformément à la description fournie par le fabricant de l'antenne. Le gain maximum permis pour les antennes externes est de 25 dBi pour les modules d'abonné et de 17 dBi pour les secteurs de point d'accès.

L'installation et l'utilisation de ce produit sont complexes, c'est pourquoi Cambium recommande de faire appel à un professionnel pour effectuer l'installation et la gestion du système, cela permettra de s'assurer que son fonctionnement soit conforme aux règlements de la région dans laquelle le produit est installé. Merci de suivre les instructions contenues dans ce manuel. D'autres directives sur l'installation et le fonctionnement PMP/PTP sont disponibles dans le guide de l'utilisateur du produit.

L'installateur doit disposer de toutes les compétences, connaissances et expériences pour effectuer la tâche d'installation et il sera responsable de :

- Sa familiarité avec les réglementations nationales applicables en cours, incluant les normes de radio, les normes d'installation électrique, les normes de protection contre les surtensions et les normes de « travaux en hauteur »
- L'installation en conformité avec les instructions de Cambium Networks
- L'assurance que les réglages de l'équipement sont conformes aux réglementations nationales ou régionales

## Installation | Utilisation | Sécurité

Prière d'observer les importantes instructions suivantes lors de l'installation. Cela permettra de régler l'équipement conformément aux réglementations nationales.

- S'assurer que la dernière version du micrologiciel (version système 3.5.5 ou 4.1.X ou toute version ultérieure) est installée sur l'équipement. Le logiciel est disponible sur le site Internet du Centre d'assistance de Cambium.
- Au cours de l'installation de l'équipement, vérifier que le code région correct est défini (le code région est prédéfini en usine pour les produits de l'UE), puis sélectionner le code pays correct pour le pays où le produit est en cours de déploiement.
- Pour les unités connectées, entrer le gain d'antenne dans le réglage « gain d'antenne », dans le menu « Configuration > Radio ».

Veillez vous conformer aux règles de sécurité suivantes :

- S'assurer que l'appareil et la structure sur laquelle il est monté sont capables de résister aux vitesses de vent maximales du site proposé.
- S'assurer de toujours mettre hors tension et débrancher l'équipement avant l'entretien. L'alimentation du cnVision est assurée par le dispositif de déconnexion primaire.
- De forts champs de rayonnement radio (RF) sont présents près de l'antenne lorsque l'émetteur est en marche. Toujours mettre hors tension l'appareil avant d'entreprendre des activités de maintenance devant l'antenne.
  - Respecter la limite de distance minimale de sécurité pour les produits cnVision indiquée ci-dessous.

- S'assurer que l'équipement est installé dans une position permettant d'éviter tout risque de radiation chez l'homme.
- Faire très attention lors des travaux en hauteur. Suivre les normes nationales de « travaux en hauteur ». Faire appel à un personnel formé et « compétent ».
- Être extrêmement prudent lors de travaux près de lignes électriques.

## Sécurité

- Les appareils cnVision et les structures de montage doivent être correctement mis à la terre afin de les protéger contre la foudre. Il est de la responsabilité de l'utilisateur d'installer l'équipement conformément aux réglementations nationales. Il est recommandé de faire effectuer l'installation par un installateur professionnel.
- Toujours utiliser les unités d'alimentation (PSU) spécifiées de la plate-forme cnVision pour alimenter l'équipement. Le fait de ne pas utiliser le PoE fourni par Cambium pourrait endommager l'équipement et entraîner un risque pour la sécurité.
- Les structures, l'équipement et les personnes doivent être protégés contre les décharges électrostatiques :
  - en positionnant les équipements dans une zone protégée contre la foudre
  - par l'installation de paratonnerres appropriés à la conduite du courant de surcharge vers la masse via un chemin solide préférentiel.
- L'enveloppe de l'appareil peut être chaude au touché lorsqu'il est en marche.
- La sécurité peut être compromise si des câbles non prévus pour l'extérieur sont utilisés pour les connexions qui seront exposées à l'environnement extérieur. Installer les câbles Cambium recommandés.

## Alimentation électrique

L'alimentation électrique est une unité intérieure connectée au module cnVision et à l'équipement de terminaison de réseau par un câble Cat5e avec connecteurs RJ45. Elle est également branchée sur une alimentation CA ou CC, afin de pouvoir injecter l'alimentation Power over Ethernet (PoE) dans le module. Il est recommandé d'utiliser l'alimentation électrique incluse avec l'unité.

## Montage

Reportez-vous à l'idéogramme de montage pour les instructions de montage. ([Cliquez ici](#))

## Configuration

### Configuration du PC de gestion

- 1 Sélectionner les Propriétés du port Ethernet. Dans Windows 7, celles-ci se trouvent dans Panneau de configuration > Réseau et Internet > Connexions réseau > Connexion au réseau local.
- 2 Sélectionner Protocole Internet (TCP/IP) :
- 3 Cliquer sur Propriétés.
- 4 Entrer une adresse IP valide pour le réseau 169.254.X.X, en évitant 169.254.0.0 et 169.254.1.1. Un bon exemple d'adresse IP est 169.254.1.3 :
- 5 Entrer le masque de sous-réseau 255.255.0.0. Laisser vide la passerelle par défaut.

### Connexion au PC et mise sous tension

- 1 Vérifier que le port ETH de l'ODU est connecté au port Ethernet + alimentation de l'unité d'alimentation.
- 2 Connecter le port Ethernet du PC au port de réseau local (LAN) de la PSU à l'aide d'un câble Ethernet standard (non croisé).
- 3 Mettre la PSU sous tension du secteur ou d'une batterie. Le voyant d'alimentation devrait être vert fixe.
- 4 Vérifier que le voyant Ethernet de l'ODU est rouge fixe.
- 5 Démarrer un navigateur web et taper : 169.254.1.1, puis à l'invite entrer admin/admin pour vous connecter à l'interface graphique et terminer la configuration.

### Se conformer aux limitations

S'assurer que le lien est configuré conformément aux exigences de la réglementation locale en configurant le paramètre Pays (situé dans l'interface de gestion web dans Configuration > Radio > Général).

Lors de l'utilisation d'appareils connectés avec antennes externes, s'assurer également que le gain d'antenne est configuré correctement dans l'appareil (le paramètre du Gain d'antenne se trouve dans l'interface de gestion web dans Configuration > Radio > Contrôle de la puissance).

## Exploitation dans l'UE

Au sein de l'UE, les produits cnVision 5 GHz fonctionnent sur les bandes de fréquences suivantes jusqu'à la puissance maximale indiquée :

Bande de fréquences de fonctionnement	Norme UE	Limite de puissance maximale (PIRE)	Usage permis	Unités 5 GHz supportant cette bande de fréquences
5470 - 5725 MHz	EN 301 893	1 Watt / 30 dBm	Disponible pour usage général dans tous les pays de l'UE	Tous CNVISION
5725 - 5875 MHz	EN 302 502	4 Watts / 36 dBm	Autorisé dans certains pays de l'UE, consulter les notes 1 - 5	Tous CNVISION

- Remarque 1 : Le fonctionnement sur la bande 5,8 GHz n'est pas autorisé dans les pays européens suivants : AT, BG, CZ, CY, FR, HR, IT, LU, LV, NL, PL, TR. Dans les autres pays, des licences gouvernementales peuvent être nécessaires pour autoriser le fonctionnement, veuillez vérifier le site Internet de votre gouvernement national.
- Remarque 2: La radio applique les allocations de fréquences nationales, et les réglages de puissance et de DFS pour chaque code pays.
- Remarque 3: En Irlande et au Royaume-Uni, soumis à l'obtention d'une licence légère. Vous devez obtenir une licence auprès du site web gouvernemental.
- Remarque 4: Pour la Norvège, l'usage des bandes de fréquences 5 725-5 795 MHz et 5 815-5 850 MHz est autorisé.
- Remarque 5: L'usage de la bande de fréquences 5 725 -5 875 MHz peut être activé en téléchargeant et appliquant une clé de licence sur le site Internet de Cambium.

Pour les produits cnVision déployés au sein de l'UE, la distance minimale de sécurité entre l'équipement et les personnes est de 10 cm.

## Restrictions et conditions d'autorisation d'utilisation

- L'équipement radio doit être uniquement utilisé à l'extérieur.
- Les produits cnVision peuvent être configurés pour fonctionner sur des bandes de fréquences sans licence, sous réserve de la planification des fréquences de chaque pays. Les Opérateurs/Utilisateurs finaux doivent s'assurer que l'équipement est installé et fonctionne conformément aux réglementations applicables dans le pays d'utilisation et obtenir toutes les licences et tous les permis nécessaires.

## Déclaration UE simplifiée de conformité

Par la présente, le fabricant Cambium Networks, Ltd, déclare que les équipements radio types cnVision Hub-FLEXr 5 GHz / 5 GHz Client-MAXr / 5 GHz Client-MAXrp / 5 GHz Client-MINI Radio / 5 GHz Client-MICRO intégrée sont en conformité avec la directive 2014/53/UE. La version complète de la déclaration de conformité de l'UE est disponible à l'adresse Internet suivante : [http://www.cambiumnetworks.com/ec\\_dofc](http://www.cambiumnetworks.com/ec_dofc)

## Directive liée aux déchets d'équipements électriques et électroniques (DEEE)



Merci de ne pas vous débarrasser de vos équipements ou accessoires électriques et électroniques avec vos déchets ménagers. Dans certains pays ou régions, des systèmes de collecte ont été mis en place pour gérer les déchets d'équipements électriques et électroniques. Dans les pays de l'Union européenne, veuillez contacter votre représentant local fournisseur d'équipements ou votre Centre d'assistance Cambium Networks pour plus d'informations sur le système de collecte des déchets de votre pays.

## Cambium Networks

Cambium Networks est fournisseur de solutions fixes à large bande et à micro-ondes de qualité professionnelle pour ses clients du monde entier. Nos solutions sont déployées dans des milliers de réseaux dans plus de 153 pays, nos technologies innovantes fournissent une connectivité fiable, sécurisée et rentable facile à déployer qui a fait la preuve de performances exceptionnelles.

Nos solutions radio Point à point (PTP) primées fonctionnent dans les bandes de fréquences licenciées, sans licence et à usage défini, y compris des solutions FIPS 140-2 pour le marché fédéral américain. Nos solutions PTP de conception robuste et conçues pour offrir 99,999 % de disponibilité présentent un historique impeccable pour fournir une connectivité haut débit fiable, dans les environnement RF les plus exigeants même au-delà de la ligne de vision.

Nos solutions flexibles Point à multipoint (PMP) fonctionnent dans les bandes de fréquences licenciées, sans licence et fédérales, pour la mise en place de réseaux d'accès fiables, sécurisés et rentables. Avec plus de trois millions de modules déployés dans les réseaux dans le monde, nos solutions d'accès PMP font leurs preuves jour après jour dans l'accès résidentiel, comme alternative aux lignes spécialisées, pour la vidéo surveillance et les applications de réseaux intelligents.

Les solutions de Cambium Networks sont des leaders incontestés et respectés dans l'industrie haut débit sans fil. Nous concevons, déployons et apportons des solutions innovantes de connectivité de données, voix et vidéo qui assurent les communications de la vie, et permettent l'essor de la croissance personnelle, commerciale et communautaire pratiquement partout dans le monde.

Guides utilisateur : <http://www.cambiumnetworks.com/guides>

Formation technique : <https://learning.cambiumnetworks.com>

Site web d'assistance : <https://support.cambiumnetworks.com>

Adresse :  
Cambium Networks Limited,  
Linhay Business Park,  
Eastern Road  
Ashburton,  
Devon, TQ13 7UP  
Royaume-Uni

## Exactitud de la información

Aunque se han hecho esfuerzos razonables para asegurar la exactitud de la información en este documento, Cambium Networks no asume ninguna responsabilidad derivada de cualquier inexactitud u omisión en este documento, o del uso de la información obtenida en el mismo. Cambium Networks se reserva el derecho de hacer cambios a cualquier producto aquí descrito para mejorar la fiabilidad, la función o el diseño, y se reserva el derecho de revisar este documento y de hacer cambios ocasionalmente en el contenido del mismo sin obligación de notificar a ninguna persona de revisiones o cambios. Cambium Networks no asume ninguna responsabilidad que surja de la aplicación o el uso de cualquier producto, software o circuito descrito en este documento; tampoco otorga licencias en virtud de sus derechos de patente o los derechos de otros. Es posible que esta publicación contenga referencias o información sobre productos (máquinas y programas), programación o servicios de Cambium Networks que no estén anunciados en su país. Dichas referencias o información no deben interpretarse en el sentido de que Cambium Networks tiene la intención de anunciar tales productos, programación o servicios de Cambium Networks en su país.

## Derechos de autor

Este documento, los productos de Cambium Networks y los productos de software de terceros descritos en este documento pueden incluir o describir programas informáticos con derechos de autor de Cambium Networks y otros programas informáticos suministrados por terceros, almacenados en memorias de estado sólido u otros medios. Las leyes de Estados Unidos y otros países preservan para Cambium Networks, sus otorgantes de licencias y otro software suministrado por terceros, ciertos derechos exclusivos para material protegido por derechos de autor, incluyendo el derecho exclusivo de copiar, reproducir en cualquier forma, distribuir y hacer trabajos derivados del material protegido por derechos de autor. Por consiguiente, cualquier material con derechos de autor de Cambium Networks y de sus otorgantes de licencias o el material suministrado por software de terceros contenido en los productos de Cambium Networks descritos en este documento no se puede copiar, reproducir, modificar, distribuir, fusionar o modificar en modo alguno sin el permiso expreso por escrito de Cambium Networks. Además, la compra de productos de Cambium Networks no se considerará que otorgue directamente o por implicación, impedimento o por alguna otra razón, ninguna licencia en virtud de los derechos de autor, patentes o solicitudes de patentes de software de Cambium Networks u otro software suministrado por terceros, excepto la licencia de uso normal no exclusiva, libre de pago por derechos de autor, que surge de la aplicación de la ley en la venta de un producto.

## Restricciones

El software y la documentación son materiales protegidos por derechos de autor. La realización de copias no autorizadas está prohibida por ley. Ninguna parte del software o la documentación puede reproducirse, transmitirse, transcribirse, almacenarse en un sistema de recuperación, o traducirse a idiomas o lenguajes informáticos, en ninguna forma y por ningún medio, sin el permiso previo por escrito de Cambium Networks.

## Acuerdos de licencia

El software descrito en este documento es propiedad de Cambium Networks y sus otorgantes de licencias. Se proporciona únicamente mediante un acuerdo de licencia expreso y solo puede utilizarse con arreglo a los términos de dicho acuerdo.

## Materiales de alto riesgo

Cambium y sus proveedor renuncian específicamente a cualquier garantía expresa o implícita de idoneidad para actividades o usos de alto riesgo de sus productos, lo que incluye, pero no limita a, la operación de instalaciones nucleares, sistemas de navegación aérea o de comunicación de aeronaves, control de tráfico aéreo, soporte vital o sistemas de armas ("Uso de alto riesgo"). Todo Uso de alto riesgo no está autorizado, se hace bajo su propio riesgo y usted será responsable todas y cada una de las pérdidas, daños o reclamaciones que surjan de cualquier Uso de alto riesgo.



## Uso previsto | Instalación | Operación

Los productos de radiocomunicación cnVision de Cambium Networks admiten transmisión de datos a través de enlaces de microondas de punto a multipunto (PMP) y de punto a punto (PTP). Este equipo de radiocomunicación se ha diseñado para aplicaciones profesionales y exclusivamente para instalaciones exteriores fijas. Estos equipos de radiocomunicación incorporan una antena integrada.

Las unidades conectorizadas pueden operar con diversas antenas externas de doble polaridad adquiridas por separado a través de 2 conectores hembra tipo SMA. El instalador es responsable de operar el equipo de radiocomunicación y los accesorios según lo previsto y de acuerdo con la descripción proporcionada por el fabricante de la antena. La ganancia máxima de antena permitida para antenas externas es de 25 dBi para los módulos de suscriptor y de 17 dBi para sectores de punto de acceso.

La instalación y la operación de este producto son complejas; Cambium recomienda una instalación y gestión profesional del sistema para garantizar que su operación cumple con la normativa de la región en la que está instalado el producto. Siga las instrucciones de este catálogo. En la guía de usuario del producto encontrará más información relativa a la instalación y la operación PMP / PTP.

El instalador debe tener la suficiente competencia, formación y experiencia para realizar la instalación. Además, es responsable de lo siguiente:

- Conocer la normativa nacional en vigor que sea de aplicación, así como de las normativas radioeléctricas, instalaciones eléctricas, protección contra sobretensiones y 'trabajo en altura'.
- Realizar la instalación siguiendo las instrucciones de Cambium Networks.
- Confirmar que los ajustes del equipo cumplen con la normativa nacional o regional.

## Instalación | Operación | Seguridad

Tenga en cuenta las importantes indicaciones que aparecen a continuación durante la instalación. Esto configurará el equipo de conformidad con la normativa nacional.

- Asegúrese de que el equipo dispone de la versión de firmware más reciente (System Release 3.5.5 o 4.1.X o superior). El software está disponible en el sitio web del Centro de soporte de Cambium.
- Durante la configuración del equipo, compruebe que se ha fijado correctamente código de región correspondiente (en los productos destinados a la UE viene fijado de fábrica) y seleccione el código del país concreto en el que se esté instalando el producto.
- Para las unidades conectorizadas, introduzca la ganancia de la antena en el parámetro 'Ganancia de antena' del menú 'Configuración > Radio'.

Observe las siguientes normas de seguridad:

- Asegúrese de que el dispositivo y la estructura en la que está instalado pueden resistir la velocidad máxima del viento en el lugar propuesto.
- Apague y desconecte siempre el equipo antes de realizar trabajos de mantenimiento. La fuente de alimentación del cnVision es el dispositivo de desconexión principal.
- Cuando el transmisor está encendido, pueden generarse niveles altos de radiación de RF cerca de la antena. Apague siempre la alimentación del dispositivo antes de realizar trabajos de mantenimiento frente a la antena.
  - Tenga en cuenta la distancia de seguridad mínima para los productos cnVision que se muestra más abajo.
  - Asegúrese de que el equipo se instale en una posición que evite cualquier peligro de radiación sobre las personas.

- Extreme las precauciones cuando trabaje en altura. Cumpla las normativas de 'trabajo en altura'. Trabaje con personal formado y competente.
- Extreme las precauciones cuando trabaje cerca de líneas eléctricas

## Seguridad

- Los dispositivos cnVision y las estructuras de montaje deben estar conectadas a tierra correctamente para protegerlos contra rayos. Es responsabilidad del usuario realizar la instalación del equipo de acuerdo con la normativas del país. Se recomienda que un profesional realice la instalación.
- Utilice siempre las fuentes de alimentación específicas de la plataforma cnVision para alimentar el equipo. El hecho de no utilizar la alimentación PoE especificada de Cambium podría provocar daños en el equipo y representar un riesgo para la seguridad.
- Las estructuras, el equipo y las personas deben disponer de protección contra descargas electrostáticas:
  - Situando el equipo en una zona de protección contra rayos
  - Instalando los pararrayos apropiados para desviar el pico de corriente a tierra mediante un recorrido sólido y preferentemente separado
- La carcasa debe estar caliente al tacto cuando está en funcionamiento.
- La seguridad puede verse comprometida si no se utilizan cables clasificados para exteriores en las conexiones expuestas al ambiente exterior. Instale los cables recomendados de Cambium.

## Fuente de alimentación

La fuente de alimentación es una unidad interior que se conecta al módulo cnVision y a los equipos terminales de red mediante un cable Cat5e con conectores RJ45. También se conecta a una fuente de alimentación de CA o CC para que pueda inyectar alimentación a través de Ethernet (PoE) en el módulo. Se recomienda utilizar la fuente de alimentación incluida en la unidad.

## Montaje

Consulte el ideograma de montaje para obtener instrucciones de montaje. ([haga clic aquí](#))

## Configuración

### Configuración del PC de gestión

- 1 Seleccione Propiedades para el puerto Ethernet. En Windows 7, esto se encuentra en Panel de control > Red e Internet > Conexiones de red > Conexión de área local.
- 2 Seleccione Protocolo de Internet (TCP/IP).
- 3 Haga clic en Propiedades.
- 4 Introduzca una dirección IP que sea válida para la red 169.254.X.X, evitando 169.254.0.0 y 169.254.1.1. Un buen ejemplo es 169.254.1.3:
- 5 Introduzca una máscara de subred de 255.255.0.0. Deje en blanco la puerta de enlace predeterminada.

### Conexión al PC y encendido

- 1 Verifique que el puerto ODU ETH está conectado al puerto Ethernet + Alimentación de la fuente de alimentación.
- 2 Conecte el puerto Ethernet del PC al puerto LAN de la fuente de alimentación utilizando un cable Ethernet estándar (no cruzado).
- 3 Proporcione energía a la fuente de alimentación desde una toma de corriente o una batería. El piloto LED de alimentación debe iluminarse de color verde de forma constante.
- 4 Controle que el piloto LED Ethernet de color rojo de la ODU se ilumina de forma constante.
- 5 Abra un navegador de Internet e introduzca: 169.254.1.1 Cuando se le solicite, introduzca admin/admin para iniciar sesión en la interfaz de usuario y complete la configuración.

### Cumplimiento de límites normativos

Asegúrese de que el enlace está configurado para cumplir con los requisitos normativos locales configurando el parámetro País (ubicado en la interfaz de administración web en Configuración > Radio > General).

Cuando utilice dispositivos conectorizados con antenas externas, asegúrese también de que la ganancia de antena esté configurada correctamente en el dispositivo (el parámetro Ganancia de antena se encuentra en la interfaz de administración web en Configuración > Radio > Control de potencia).

## Operación en la UE

En la UE, los productos cnVision de 5 GHz operan en las siguientes bandas de frecuencia hasta la máxima potencia indicada:

Banda de frecuencia de operación	Norma europea	Límite de potencia máxima (PIRE)	Uso permitido	Unidades de 5 GHz que admiten esta banda de frecuencia
5470 - 5725 MHz	EN 301 893	1 W/30 dBm	Disponible para uso general en todos los países de la UE	Todos los cnVision
5725 - 5875 MHz	EN 302 502	4 W/36 dBm	Permitido en algunos países de la UE (consulte las notas 1 - 5)	Todos los cnVision

- Nota 1: No está permitido operar en la banda de 5,8 GHz en los siguientes países europeos: AT, BG, CZ, CY, FR, HR, IT, LU, LV, NL, PL, TR. En otros países pueden exigirse licencias gubernamentales para la operación de los equipos. Compruebe la página web de la autoridad competente del país.
- Nota 2: El equipo de radiocomunicación utiliza las asignaciones nacionales de frecuencias, potencia y ajustes DFS de cada código de país.
- Nota 3: En el Reino Unido e Irlanda se aplican licencias simplificadas (light licensing). Adquiera una licencia del sitio web de la autoridad competente de su país.
- Nota 4: Para Noruega está autorizado el uso de las bandas de frecuencia 5725–5795 MHz y 5815–5850 MHz.
- Nota 5: La operación en las bandas de frecuencia 5725 – 5875 MHz se habilita descargando y aplicando una clave de licencia en el sitio web de Cambium.

Para los productos cnVision implementados en la UE, la distancia mínima de seguridad entre el equipo y las personas es de 10 cm.

## Restricciones y requisitos de autorización para el uso

- Este equipo de radiocomunicación se ha diseñado únicamente para uso exterior.
- Los productos cnVision pueden configurarse para operar en bandas de frecuencia sin licencia sujetas a la planificación de frecuencias de los distintos países. Los operadores/usuarios finales deben garantizar que el equipo se instale y opere de acuerdo con la normativa aplicable del país en que va a funcionar, así como obtener cualquier licencia o permiso necesario.

## Declaración de conformidad simplificada de la UE

Por el presente texto, el fabricante Cambium Networks Ltd declara que los equipos de radiocomunicación de punto de acceso conectorizado cnVision Hub-FLEXr 5 GHz / 5 GHz Client-MAXr / 5 GHz Client-MAXrp / 5 GHz Client-MINI Radio / 5 GHz Client-MICRO cumplen la Directiva 2014/53/UE. El texto completo de la declaración UE de conformidad está disponible en la siguiente dirección de internet:

[http://www.cambiumnetworks.com/ec\\_dofc](http://www.cambiumnetworks.com/ec_dofc).

## Directiva de Residuos de Aparatos Eléctricos y Electrónicos (RAEE)



No deseche equipos electrónicos y eléctricos o accesorios electrónicos y eléctricos con los residuos domésticos. En algunos países y regiones se han establecido sistemas de recogida para tratar los residuos de equipos eléctricos y electrónicos. En los países de la Unión Europea, póngase en contacto con el proveedor o representante local del equipo o con el Centro de soporte de Cambium Networks para obtener más información sobre los sistemas de recogida de residuos en su país.

## Cambium Networks

Cambium Networks ofrece soluciones de banda ancha inalámbrica fija y de microondas de calidad profesional para clientes de todo el mundo. Estas soluciones están implementadas en miles de redes en más de 153 países incorporando nuestras innovadoras tecnologías que se encargan de proporcionar una conectividad fiable, segura, rentable, de fácil implementación y que ha demostrado ofrecer un rendimiento excelente.

Nuestras galardonadas soluciones de radiocomunicación de punto a punto (PTP) operan en bandas de frecuencia con licencia, sin licencia y de uso definido, incluyendo soluciones FIPS 140-2 específicas para el mercado federal de EE. UU. Con una disponibilidad del 99,999%, nuestras robustas soluciones PTP poseen un historial impecable a la hora de proporcionar conectividad de retorno de alta velocidad y fiabilidad, incluso en los entornos de RF 'fuera de la línea de visión' más exigentes.

Nuestras flexibles soluciones punto a multipunto (PMP) operan en las bandas de frecuencia con licencia, sin licencia y federales, proporcionando redes de acceso fiables, seguras y rentables. Con más de tres millones de módulos implementados en redes de todo el mundo, nuestras soluciones de red de acceso PMP demuestran su eficacia día tras día en aplicaciones de acceso residencial, sustitución de líneas arrendadas, videovigilancia e infraestructura de redes inteligentes.

Las soluciones líderes de Cambium Networks son referentes acreditados y respetados en el sector de banda ancha inalámbrica. Diseñamos, implementamos y entregamos soluciones innovadoras de conectividad de datos, voz y vídeo que permiten y garantizan las comunicaciones de la vida, potenciando el crecimiento personal, comercial y comunitario prácticamente en todo el mundo.

Guías de usuario: <http://www.cambiumnetworks.com/guides>

Formación técnica: <https://learning.cambiumnetworks.com>

Sitio web de soporte: <https://support.cambiumnetworks.com>

Dirección:  
Cambium Networks Limited,  
Linhay Business Park,  
Eastern Road  
Ashburton,  
Devon, TQ13 7UP  
Reino Unido

## Accuratezza

Benché siano stati intrapresi molti sforzi per garantire l'accuratezza del presente documento, Cambium Networks declina ogni responsabilità derivante da eventuali inesattezze od omissioni contenute nel presente documento o dall'uso delle informazioni ottenute dallo stesso. Cambium Networks si riserva il diritto di apportare modifiche ai prodotti descritti nel presente documento per migliorare l'affidabilità, la funzionalità o il design e si riserva altresì il diritto di revisionare il presente documento e apportare periodicamente modifiche al contenuto dello stesso senza alcun obbligo nei confronti di nessuno di comunicare tali revisioni o modifiche. Cambium Networks non si assume alcuna responsabilità derivante dall'applicazione o dall'utilizzo dei prodotti, dei software o dei circuiti descritti nel presente documento e non trasmette licenze in base ai suoi diritti brevettuali o a diritti di terzi. È possibile che la presente pubblicazione contenga riferimenti o informazioni sui prodotti Cambium Networks (macchine e programmi), sui suoi programmi o sui suoi servizi che non sono stati annunciati nel Paese dell'utente. Tali riferimenti o informazioni non devono essere interpretate nel senso che Cambium Networks intende annunciare tali prodotti, programmi o servizi nel Paese dell'utente.

## Diritti d'autore

Il presente documento, i prodotti Cambium Networks e i prodotti software di terze parti descritti nel presente documento possono includere o descrivere programmi informatici di Cambium Networks e di fornitori terzi che sono tutelati dal diritto d'autore e salvati nelle memorie dei semiconduttori o altri supporti. Le leggi degli Stati Uniti e di altri Paesi tutelano determinati diritti esclusivi di Cambium Networks, dei suoi licenzianti e di altre terze parti fornitrici di software per il materiale tutelato dal diritto d'autore, incluso il diritto esclusivo di copiare, riprodurre in qualsiasi forma, distribuire e realizzare opere derivate del materiale tutelato dal diritto d'autore. Pertanto, qualsiasi materiale tutelato dal diritto d'autore di Cambium Networks, dei suoi licenzianti o di altre terze parti fornitrici di software contenuto nei prodotti di Cambium Networks descritti nel presente documento non può essere copiato, riprodotto, decodificato, distribuito, fuso o modificato in alcun modo senza l'espresso consenso scritto di Cambium Networks. Inoltre, l'acquisto dei prodotti Cambium Networks non dovrà essere inteso nel senso di concedere, direttamente o implicitamente o tramite eccezione o altrimenti, alcuna licenza basata su diritti d'autore, brevetti o domande di brevetto di Cambium Networks o di altre terze parti fornitrici di software, tranne la normale licenza d'uso non esclusiva, priva di royalty, che deriva ope legis nella vendita di un prodotto.

## Restrizioni

Il software e la documentazione sono materiali tutelati dal diritto d'autore. Fare copie non autorizzate è vietato dalla legge. Il software o la documentazione non possono essere, neanche in parte, riprodotti, trasmessi, trascritti, memorizzati in un sistema di reperimento di informazioni o tradotti in una qualsiasi lingua o linguaggio informatico, in qualsiasi forma o con qualsiasi mezzo, senza il preventivo consenso scritto di Cambium Networks.

## Contratti di licenza

Il software descritto nel presente documento è proprietà di Cambium Networks e dei suoi licenzianti. È fornito solo mediante un espresso contratto di licenza e può essere utilizzato esclusivamente in conformità ai termini di tale contratto.

## Materiali ad alto rischio

Cambium e il(i) suoi(suoi) fornitore(i) declinano specificamente ogni garanzia espressa o tacita di idoneità ad attività o usi ad alto rischio dei suoi prodotti, tra cui, a mero titolo esemplificativo ma non esaustivo, il funzionamento di impianti nucleari, di sistemi di navigazione aerea o di sistemi di comunicazione aerea, di sistemi di controllo del traffico aereo, di sistemi di sostegno alla vita o di sistemi di controllo delle armi ("Utilizzo ad alto rischio"). Qualsiasi Utilizzo ad alto rischio non è autorizzato, è effettuato a rischio dell'utente e quest'ultimo sarà responsabile di ogni e qualsivoglia perdita, danno o richiesta di risarcimento derivante da tale Utilizzo.

## Uso previsto | Installazione | Funzionamento

Le apparecchiature radio della serie cnVision di Cambium Networks supportano la trasmissione dati su ponti radio a microonde Point to Multipoint (PMP) e Point to Point (PTP). Questo tipo di apparecchiatura radio è destinata esclusivamente ad applicazioni professionali per installazioni fisse all'esterno. Le apparecchiature radio sono disponibili con un'antenna integrata.

Le unità connettorizzate possono funzionare con una serie di antenne esterne a doppia polarità vendute separatamente tramite 2 connettori femmina di tipo SMA. L'installatore è responsabile dell'utilizzo dell'apparecchiatura radio e dei relativi accessori secondo quanto previsto e nel rispetto della descrizione fornita dal produttore dell'antenna. Il guadagno d'antenna massimo consentito per le antenne esterne è 25 dBi per gli SM (Moduli Sottoscrittore) e 17 dBi per i settori access point.

L'installazione e il funzionamento di questo prodotto sono complessi. Per assicurare che il funzionamento sia conforme alle normative vigenti nel territorio in cui il dispositivo viene installato, Cambium raccomanda quindi l'installazione e la gestione del sistema da parte di professionisti, nonché l'osservanza delle istruzioni riportate in questa scheda. Ulteriori indicazioni sull'installazione e sul funzionamento di apparecchiature PMP/PTP sono disponibili nella guida del prodotto per l'utente.

L'installatore deve disporre di competenze, conoscenze ed esperienza sufficienti ad eseguire l'installazione ed è responsabile per quanto segue:

- familiarità con le normative nazionali applicabili in vigore, comprese le norme sulle apparecchiature radio, sull'installazione elettrica, sulla protezione da sovratensioni e sui lavori in quota;
- installazione in conformità alle istruzioni di Cambium Networks;
- conferma della corrispondenza delle impostazioni dell'apparecchiatura alle normative nazionali o regionali.

## Installazione | Funzionamento | Sicurezza

Durante l'installazione, osservare le seguenti importanti istruzioni. La corretta osservanza delle istruzioni permette di configurare l'apparecchiatura in conformità alle disposizioni delle normative nazionali.

- Assicurarsi che sull'apparecchiatura sia installata la versione più recente del firmware (versione del sistema 3.5.5, 4.1.X o successiva). Il software è disponibile sul sito Web del Centro assistenza di Cambium.
- Durante la configurazione dell'apparecchiatura, verificare che il codice regione impostato sia corretto (per i Paesi dell'UE, il codice della regione viene preimpostato in fabbrica) e selezionare il codice Paese corretto per il Paese in cui il prodotto viene installato.
- Per le unità connettorizzate, immettere il guadagno di antenna nel campo 'Antenna Gain', alla voce di menu 'Configuration > Radio'.

Osservare le regole di sicurezza riportate di seguito:

- Accertarsi che il dispositivo e la struttura su cui è installata siano in grado di resistere alle massime velocità del vento nel sito di destinazione previsto.
- Spegner e scollegare sempre l'apparecchiatura prima di effettuare gli interventi di manutenzione. L'alimentatore dell'cnVision è il dispositivo di disconnessione primario.
- Quando il trasmettitore è acceso, vicino all'antenna sono presenti forti campi di radiofrequenza (RF). Interrompere sempre l'alimentazione del dispositivo prima di effettuare interventi di manutenzione davanti all'antenna.
  - Rispettare il limite minimo della distanza di sicurezza per i prodotti cnVision, indicato di seguito.
  - Assicurarsi che l'apparecchiatura sia installata in una posizione tale da evitare qualsiasi rischio di radiazioni per le persone.



- Prestare la massima attenzione quando si lavora in quota. Osservare le normative nazionali relative al lavoro in quota. Impiegare personale addestrato e competente.
- Prestare la massima attenzione quando si lavora vicino alle linee di alimentazione.

## Sicurezza

- I dispositivi cnVision e le strutture di montaggio devono essere collegati a terra in modo corretto per proteggere dai fulmini. È responsabilità dell'utente installare l'apparecchiatura in conformità alle normative nazionali. Si raccomanda di affidare l'installazione a un installatore professionista.
- Per alimentare l'apparecchiatura, utilizzare sempre le unità di alimentazione della piattaforma cnVision indicate. Il mancato utilizzo del PoE specificato fornito da Cambium può comportare danni all'apparecchiatura e causare rischi per la sicurezza.
- È necessario proteggere strutture, attrezzature e persone dalle scariche elettrostatiche:
  - installando l'apparecchiatura in una zona protetta dai fulmini
  - mediante l'installazione di adeguate linee di discesa dei parafulmini per scaricare a terra la corrente di picco attraverso un percorso separato stabile preferenziale.
- L'involucro può risultare caldo al tatto durante il funzionamento.
- La sicurezza può risultare compromessa dal mancato utilizzo di cavi classificati per esterni nei collegamenti che saranno esposti all'ambiente esterno. Installare i cavi raccomandati da Cambium.

## Alimentatore

L'alimentatore è un'unità per interni collegata al modulo cnVision e alle apparecchiature di terminazione di rete tramite un cavo CAT5e con connettori RJ45. È inoltre collegato a una presa di alimentazione CA o CC in modo che possa trasmettere PoE (Power over Ethernet) al modulo. È consigliabile utilizzare l'alimentatore fornito in dotazione con l'unità.

## Montaggio

Fare riferimento all'ideogramma di montaggio per le istruzioni di montaggio. ([Clicca qui](#))

## Configurazione

### Configurazione del PC di gestione

- 1 Selezionare Proprietà per la porta Ethernet. In Windows 7 accedere a Pannello di controllo > Rete e Internet > Connessioni di rete > Connessione alla rete locale (LAN).
- 2 Selezionare Protocollo Internet (TCP/IP):
- 3 Fare clic su Proprietà.
- 4 Immettere un indirizzo IP valido per la rete 169.254.X.X, evitando 169.254.0.0 e 169.254.1.1. Un esempio di indirizzo valido è 169.254.1.3
- 5 Immettere la subnet mask 255.255.0.0. Lasciare vuoto il campo relativo al gateway predefinito.

### Collegamento al PC e accensione

- 1 Verificare che la porta ODU ETH sia collegata alla porta Ethernet + Alimentazione dell'alimentatore.
- 2 Collegare la porta Ethernet del PC alla porta LAN dell'unità di alimentazione tramite un cavo Ethernet standard (non incrociato).
- 3 Alimentare la PSU tramite corrente o batteria. La spia LED verde di alimentazione dovrebbe accendersi fissa.
- 4 Verificare che la spia LED rossa Ethernet dell'ODU si accenda fissa.
- 5 Aprire un browser Web e digitare: 169.254.1.1. Quando richiesto, immettere admin/admin per accedere alla GUI e completare la configurazione.

### Conformità ai limiti

Assicurarsi che il collegamento sia conforme ai requisiti normativi locali configurando il parametro Country (disponibile nell'interfaccia di gestione Web in Configuration > Radio > General).

Quando si utilizzano dispositivi connettorizzati con antenne esterne, assicurarsi inoltre che il guadagno d'antenna sia configurato correttamente nel dispositivo (il parametro Antenna Gain è disponibile nell'interfaccia di gestione Web in Configuration > Radio > Power Control).

## Funzionamento nell'UE

Nell'UE, i prodotti della serie cnVision a 5 GHz operano nelle seguenti bande di frequenza fino alla potenza massima indicata:

Banda di frequenza operativa	Standard UE	Limite di potenza massima (EIRP)	Uso consentito	Unità a 5 GHz che supportano questa banda di frequenza
5470 - 5725 MHz	EN 301 893	1 W/30 dBm	Disponibile per uso generale in tutti i Paesi dell'UE	Tutti i prodotti della serie cnVision
5725 - 5875 MHz	EN 302 502	4 Watt/36 dBm	Consentito in alcuni Paesi dell'UE, vedere le note da 1 a 5	Tutti i prodotti della serie cnVision

- Nota 1: l'uso nella banda a 5,8 GHz non è consentito nei seguenti Paesi europei AT, BG, CZ, CY, FR, HR, IT, LU, LV, NL, PL, TR. In altri Paesi, per consentirne l'uso potrebbero essere richieste licenze governative. Per informazioni, consultare il sito Web governativo nazionale.
- Nota 2: l'apparecchiatura radio applica allocazioni di frequenza nazionali, impostazioni di alimentazione e DFS per ogni codice Paese.
- Nota 3: nel Regno Unito e in Irlanda si applicano condizioni di licenza. Richiedere una licenza tramite il sito Web dell'ente statale preposto.
- Nota 4: in Norvegia, è autorizzato l'uso delle bande di frequenza 5725–5795 MHz e 5815–5850 MHz.
- Nota 5: il funzionamento a 5725 – 5875 MHz è consentito scaricando e applicando una chiave di licenza ottenuta sul sito Web Cambium.

Per i prodotti cnVision utilizzati nell'UE, la distanza minima di sicurezza tra l'apparecchiatura e l'uomo è di 10 cm.

### Restrizioni e requisiti per l'autorizzazione all'uso

- La presente apparecchiatura radio è da utilizzarsi esclusivamente all'esterno.
- I prodotti della serie cnVision possono essere configurati per operare in bande di frequenza senza licenza, subordinatamente alla pianificazione delle frequenze all'interno dei singoli Paesi. Operatori e utenti finali devono assicurarsi che l'apparecchiatura sia installata e gestita in conformità alle norme vigenti nel Paese di funzionamento e devono ottenere tutte le licenze e le autorizzazioni necessarie.

### Dichiarazione di conformità UE semplificata

Il produttore Cambium Networks Ltd dichiara che i tipi di apparecchiature radio di seguito elencati sono conformi alla Direttiva 2014/53/UE: cnVision Hub-FLEXr 5 GHz / 5 GHz Client-MAXr / 5 GHz Client-MAXrp / 5 GHz Client-MINI Radio / 5 GHz Client-MICRO. Il testo integrale della dichiarazione di conformità UE è disponibile al seguente indirizzo Internet: [http://www.cambiumnetworks.com/ec\\_dofc](http://www.cambiumnetworks.com/ec_dofc)

## Direttiva sui Rifiuti di apparecchiature elettriche ed elettroniche (RAEE)



Non smaltire le Apparecchiature elettriche ed elettroniche o i loro Accessori insieme ai rifiuti domestici. In alcuni Paesi o regioni, sono stati allestiti sistemi di raccolta per trattare i rifiuti di apparecchiature elettriche ed elettroniche. Nei Paesi dell'Unione Europea, per informazioni sul sistema di raccolta dei rifiuti nel proprio Paese contattare il rappresentante locale del fornitore delle apparecchiature o il Centro assistenza di Cambium Networks.

## Cambium Networks

Cambium Networks offre soluzioni a microonde e a banda larga wireless e fisse di livello professionale a clienti in tutto il mondo. Le nostre soluzioni sono distribuite in migliaia di reti in oltre 153 Paesi con le nostre tecnologie innovative che assicurano una connettività sicura e a costi ridotti, facili da distribuire e note per garantire prestazioni straordinarie.

Le nostre rinomate soluzioni radio PTP (Point to Point) funzionano con licenza, senza licenza e bande di frequenza con uso specifico, comprese soluzioni FIPS 140-2 specifiche per il mercato federale statunitense. Rinforzate per garantire la disponibilità al 99,999%, le soluzioni PTP di Cambium Networks sono note per offrire una connettività backhaul ad alta velocità e affidabile anche nei più impegnativi ambienti RF non in linea di vista.

Le flessibili soluzioni PMP (Point-to-Multipoint) funzionano nelle bande di frequenza con licenza, senza licenza e federali, offrendo reti di accesso affidabili, sicure e a costi contenuti. Con più di tre milioni di moduli distribuiti nelle reti di tutto il mondo, l'efficacia delle soluzioni di rete per l'accesso PMP di Cambium Networks è comprovata nell'accesso residenziale, nella sostituzione di linee affittate, nella video sorveglianza e nelle applicazioni con infrastrutture intelligenti a griglia.

Le soluzioni Cambium Networks sono comprovate e riconosciute nel settore della banda larga wireless. Cambium Networks progetta, distribuisce e offre soluzioni di connettività dati, voce e video innovative che consentono e assicurano le comunicazioni vitali, contribuendo alla crescita personale, commerciale e delle comunità in qualsiasi parte del mondo.

Guide per l'utente: <http://www.cambiumnetworks.com/guides>

Documentazione tecnica: <https://learning.cambiumnetworks.com>

Sito Web per l'assistenza: <https://support.cambiumnetworks.com>

Indirizzo: Cambium Networks Limited,  
Linhay Business Park,  
Eastern Road  
Ashburton,  
Devon, TQ13 7UP  
United Kingdom

## Dokładność

Mimo dołożenia wszelkich starań w celu zapewnienia dokładności tego dokumentu Cambium Networks nie ponosi odpowiedzialności za jakiegokolwiek nieścisłości lub pominięcia w jego treści lub efekty wykorzystania zawartych w nim informacji. Cambium Networks zastrzega sobie prawo do wprowadzania zmian we wszelkich produktach opisanych w niniejszym dokumencie w celu poprawy ich niezawodności, funkcjonalności lub wyglądu, a także wprowadzania okresowych zmian w układzie i treści dokumentu bez obowiązku powiadamiania o tym jakichkolwiek osób. Cambium Networks nie ponosi żadnej odpowiedzialności wynikającej z zastosowania lub użycia jakiegokolwiek produktu, oprogramowania lub obwodu opisanego w niniejszym dokumencie, a także nie przenosi licencji uzyskanych na podstawie swoich praw patentowych lub praw innych osób. Niniejszy dokument może zawierać odniesienia lub informacje o produktach (urządzeniach i programach), oprogramowaniu albo usługach Cambium Networks, które nie są sprzedawane w kraju użytkownika. Wspomniane odniesienia lub informacje nie mogą być interpretowane jako sugestie, że Cambium Networks zamierza wprowadzić takie produkty, programy albo usługi Cambium Networks w kraju użytkownika.

## Prawa autorskie

Niniejszy dokument, a także opisane w nim produkty Cambium Networks oraz oprogramowanie innych firm, mogą zawierać lub przedstawiać programy komputerowe objęte prawami autorskimi Cambium Networks albo inne programy dostarczane przez podmioty trzecie, które są przechowywane w pamięci półprzewodnikowej lub na innych nośnikach. Na mocy przepisów obowiązujących w Stanach Zjednoczonych i innych krajach Cambium Networks, licencjodawcy Cambium Networks oraz inne podmioty trzecie dostarczające oprogramowanie zachowują określone prawa do materiałów chronionych prawem autorskim, w tym wyłączne prawo do kopiowania, reprodukcji w dowolnej formie, dystrybucji oraz tworzenia dzieł pochodnych na podstawie materiałów chronionych prawem autorskim. Tym samym żaden opisany w niniejszym dokumencie chroniony prawami autorskimi materiał Cambium Networks, licencjodawców Cambium Networks lub podmiotów trzecich dostarczających oprogramowanie zawarte w produktach Cambium Networks, nie może być kopiowany, powielany, odtwarzany, dystrybuowany, łączony lub w żaden sposób modyfikowany bez wyraźnej pisemnej zgody Cambium Networks. Ponadto zakup produktów Cambium Networks nie będzie uważany za udzielenie bezpośredniej lub dorozumianej licencji, udzielenie licencji zgodnie z zasadą *venire contra factum proprium* albo udzielenie licencji w jakikolwiek inny sposób względem praw autorskich, patentów lub wniosków patentowych Cambium Networks lub innego oprogramowania dostarczonego przez podmiot trzeci. Użytkownik uzyskuje wyłącznie zwykłą, niewyłączną i nieodpłatną licencję na korzystanie, która wynika z obowiązującego prawa w zakresie sprzedaży produktów.

## Ograniczenia

Oprogramowanie i dokumentacja są materiałami objętymi prawami autorskimi. Tworzenie nieautoryzowanych kopii tych materiałów jest niezgodne z prawem. Żadna część oprogramowania lub dokumentacji nie może być reprodukowana, przesyłana, transkrybowana, przechowywana w systemie wyszukiwania ani tłumaczona na jakikolwiek język lub język komputerowy, w jakiegokolwiek formie lub w jakikolwiek sposób, bez uprzedniej pisemnej zgody Cambium Networks.

## Umowy licencyjne

Oprogramowanie opisane w niniejszym dokumencie jest własnością Cambium Networks i licencjodawców tej firmy. Jest ono dostarczane wyłącznie na podstawie umowy licencyjnej i może być używane wyłącznie zgodnie z jej warunkami.

## Materiały wysokiego ryzyka

W szczególności firma Cambium i jej dostawcy zrzekają się jakiegokolwiek wyraźnej lub dorozumianej gwarancji przydatności swoich produktów do wszelkich działań lub zastosowań wysokiego ryzyka, w tym m.in. do obsługi obiektów jądrowych, nawigacji lotniczej lub systemów łączności lotniczej, kontroli ruchu lotniczego, podtrzymywania życia lub systemów broni („Wykorzystanie wysokiego ryzyka”). Użycie w jakimkolwiek zastosowaniu wysokiego ryzyka jest niedozwolone. Użytkownik stosujący produkt w ten sposób robi to na własne ryzyko i ponosi odpowiedzialność za wszelkie wynikające z tego faktu straty, szkody lub roszczenia.

## Przeznaczenie | Instalacja | Obsługa

Moduły radiowe Cambium Networks obsługują transmisję danych przez łącza mikrofalowe typu Point to MultiPoint (PMP) i Point to Point (PTP). Moduły radiowe są przeznaczone do zastosowań profesjonalnych, wyłącznie w stacjonarnych instalacjach zewnętrznych. Moduły te są wyposażone w zintegrowaną antenę.

Moduły z możliwością podłączenia zewnętrznej anteny współpracują z szeregiem anten o podwójnej polaryzacji, które podłączane są do 2 złączy żeńskich typu SMA. Instalator ponosi odpowiedzialność za eksploatację modułów i akcesoriów radiowych zgodnie z przeznaczeniem i opisem dostarczonym przez producenta anteny. Maksymalny zysk anteny zewnętrznej wynosi 25 dBi w przypadku modułów abonenckich i 17 dBi w sektorach punktu dostępowego.

Instalacja i obsługa tego produktu są działaniami o wysokim stopniu złożoności, dlatego Cambium zaleca, aby były one realizowane przez odpowiednio wykwalifikowane osoby, aby zagwarantować zgodność z przepisami obowiązującymi w miejscu eksploatacji urządzenia. Należy postępować zgodnie z instrukcjami podanymi w ulotce. Dodatkowe wskazówki na temat instalacji i obsługi sprzętu w schemacie PMP / PTP zawiera podręcznik produktu.

Instalator musi mieć odpowiednie kwalifikacje, wiedzę i doświadczenie, aby przeprowadzić montaż. Zakres odpowiedzialności:

- Znajomość aktualnie obowiązujących przepisów w zakresie komunikacji radiowej, instalacji elektrycznych, ochrony przeciwprzebieciowej i pracy na wysokości.
- Przeprowadzenie instalacji zgodnie z wytycznymi Cambium Networks.
- Potwierdzenie, że parametry pracy urządzenia są zgodne z obowiązującymi przepisami krajowymi i regionalnymi.

## Instalacja | Obsługa | Bezpieczeństwo

Podczas instalacji należy przestrzegać następujących ważnych instrukcji. Zapewni to zgodność z obowiązującymi przepisami.

- Urządzenie musi mieć najnowszą wersję firmware (System Release 3.5.5 lub 4.1.X lub nowszą). Oprogramowanie jest dostępne do pobrania na stronie Cambium Support Centre.
- Podczas konfigurowania sprzętu należy zawsze wybierać właściwy kod regionu i kraju w miejscu wdrożenia (w przypadku modeli oferowanych w UE kod regionu jest prekonfigurowany fabrycznie).
- W przypadku modeli ze złączem anteny zewnętrznej należy podać wzmocnienie anteny w polu „Antenna Gain” w menu „Configuration > Radio”.

Należy pamiętać o następujących zasadach:

- Upewnić się, że urządzenie i konstrukcja, do której jest on zamocowany, są w stanie wytrzymać napór wiatru wiejącego z maksymalną prędkością odnotowaną w danym regionie.
- Przed przystąpieniem do serwisowania urządzenia należy je wyłączyć i odłączyć od źródła zasilania. Główną metodą odłączania zasilania jest odpięcie zasilacza przeznaczonego dla urządzenia cnVision.
- Gdy nadajnik jest włączony, w pobliżu anteny występują silne pola promieniowania o częstotliwości radiowej. Przed przystąpieniem do prac serwisowych w obszarze na wprost anteny należy zawsze wyłączyć urządzenie.
  - Należy przestrzegać minimalnej bezpiecznej odległości dla produktów z serii cnVision, którą podano poniżej.
  - Upewnić się, że urządzenie jest montowane w miejscu, gdzie promieniowanie nie będzie stwarzać zagrożeń dla ludzi.

- Należy zachować szczególną ostrożność podczas pracy na wysokości. Przestrzegać krajowych przepisów BHP w zakresie pracy na wysokości. Wszelkie prace powierzać personelowi mającemu wymagane kompetencje.
- Zachować szczególną ostrożność podczas pracy w pobliżu linii energetycznych.

## Bezpieczeństwo

- Urządzenia cnVision oraz wszelkie elementy montażowe użyte do ich zamocowania należy zabezpieczyć odpowiednią instalacją odgromową. Odpowiedzialność za montaż urządzenia zgodnie z obowiązującymi przepisami spoczywa na użytkowniku. Zaleca się zlecić montaż osobom do tego upoważnionym.
- Do zasilania sprzętu należy zawsze używać zasilaczy dedykowanych dla urządzeń cnVision. Użycie innego zasilacza niż dedykowany adapter PoE Cambium stwarza ryzyko uszkodzenia sprzętu i zagrożeń dla bezpieczeństwa.
- Konstrukcje, sprzęt i ludzie wymagają ochrony przed skutkami wyładowań elektrostatycznych:
  - przez wybór miejsca montażu w strefie z ochroną odgromową;
  - przez instalację odpowiednich odgromników, które odprowadzą impuls elektryczny do ziemi z użyciem osobnego obwodu;
- Obudowa urządzenia w trakcie pracy może być rozgrzana.
- W przypadku połączeń narażonych na warunki zewnętrzne stosować kable przeznaczone do zastosowań zewnętrznych — zastosowanie nieprawidłowych kabli może stanowić zagrożenie dla bezpieczeństwa. Przy instalacji stosować kable zalecane przez Cambium.

## Zasilanie

Zasilacz jest przeznaczony do użytku wewnętrznego; należy podłączyć go do modułu cnVision i urządzeń końcowych sieci za pomocą kabla Cat5e z wtyczkami RJ45. Zasilacz należy również podłączyć do źródła zasilania (prądu przemiennego / AC lub prądu stałego /DC), aby mógł on dostarczać moc do podłączonych urządzeń za pośrednictwem standardu PoE (Power over Ethernet). Zaleca się stosowanie zasilacza dołączonego do zestawu.

## Montaż

Instrukcje montażu znajdują się w ideogramie montażu. ([Kliknij tutaj](#))

## Konfiguracja

### Konfiguracja komputera do zarządzania

- 1 Wybierz ustawienia właściwości portu Ethernet. W systemie Windows 7 można przywołać ten ekran, wybierając kolejno Panel sterowania > Sieć i Internet > Połączenia sieciowe > Połączenie lokalne.
- 2 Wybierz Protokół internetowy (TCP/IP):
- 3 Kliknij Właściwości.
- 4 Wprowadź adres IP ważny dla sieci 169.254.X.X, unikając adresów 169.254.0.0 i 169.254.1.1. Dobrym przykładem jest 169.254.1.3:
- 5 Wprowadź maskę podsieci 255.255.0.0. Pole „Brama domyślna” należy pozostawić puste.

### Podłączanie do komputera i włączanie urządzenia

- 1 Sprawdź, czy port ETH modułu zewnętrznego jest podłączony do zasilającego portu Ethernet w zasilaczu.
- 2 Połącz port Ethernet komputera PC z portem LAN zasilacza za pomocą standardowego (nie krosowanego) kabla Ethernet.
- 3 Włącz dopływ prądu do zasilacza (z sieci energetycznej lub baterii). Zielona dioda LED zasilania powinna zaświecić w sposób ciągły.
- 4 Sprawdź, czy czerwona dioda LED (Ethernet) modułu zewnętrznego świeci światłem ciągłym.
- 5 Otwórz przeglądarkę internetową i wpisz: 169.254.1.1. Po wyświetleniu monitu o login i hasło należy wprowadzić dane admin/admin, aby przejść do graficznego interfejsu użytkownika.

### Przestrzeżenie ograniczeń

Łącze należy skonfigurować w taki sposób, aby spełniało lokalne przepisy. W tym celu należy określić poprawny parametr w pozycji „Country”, którą można znaleźć na ekranie „Configuration” > „Radio” > „General” panelu administracyjnego dostępnego przez przeglądarkę internetową

Stosując urządzenia z anteną zewnętrzną należy poprawnie skonfigurować rodzaj podłączonej anteny w urządzeniu (parametr zysku anteny „Antenna Gain” można znaleźć w panelu administracyjnym obsługiwanym przez przeglądarkę, na ekranie „Configuration” > „Radio” > „Power Control”).

## Możliwość funkcjonowania na obszarze UE

Na terenie UE produkty cnVision 5 GHz pracują w następujących zakresach częstotliwości do wskazanego limitu mocy:

Robocze pasma częstotliwości	Norma UE	Moc maksymalna (EIRP)	Dozwolone zastosowanie	Urządzenia 5 GHz obsługujące to pasmo częstotliwości
5470-5725 MHz	EN 301 893	1 W / 30 dBm	Dostępne do ogólnego użytku we wszystkich krajach UE	Wszystkie urządzenia serii cnVision
5725-5875 MHz	EN 302 502	4 W / 36 dBm	Dozwolone w niektórych krajach UE, patrz przypisy 1-5	Wszystkie urządzenia serii cnVision



- Przypis 1 Korzystanie z pasma 5,8 GHz nie jest dozwolone w następujących krajach UE: AT, BG, CZ, CY, FR, HR, IT, LU, LV, NL, PL, TR. W pozostałych krajach korzystanie z urządzenia może wymagać oficjalnej homologacji, należy sprawdzić lokalnie obowiązujące przepisy.
- Przypis 2 W module radiowym skonfigurowano pasma częstotliwości, limity mocy i ustawienia DFS dla każdego kraju.
- Przypis 3: Irlandia i Wielka Brytania: obowiązują pewne wymogi licencyjne. Należy uzyskać licencję ze strony internetowej administracji publicznej.
- Przypis 4: W Norwegii dozwolone jest użytkowanie pasm częstotliwości 5725–5795 MHz i 5815–5850 MHz
- Przypis 5: Obsługa pasma 5725–5875 MHz jest dostępna po pobraniu klucza licencyjnego ze strony Cambium i wprowadzeniu go do urządzenia.

W przypadku urządzeń cnVision na terenie UE minimalna bezpieczna odległość człowieka od urządzenia wynosi 10 cm.

## Ograniczenia i wymogi homologacji

- Urządzenia radiokomunikacyjne są przeznaczone wyłącznie do użytku na zewnątrz.
- Urządzenia cnVision mogą być konfigurowane na potrzeby korzystania z nielicencjonowanych pasm częstotliwości zależnie od podziału pasm w poszczególnych krajach. Operatorzy / użytkownicy końcowi muszą zadbać o to, by podczas instalacji i eksploatacji sprzętu były przestrzegane wszystkie obowiązujące normy i przepisy krajowe, a także uzyskać wymagane prawem licencje i zezwolenia.

## Uproszczona deklaracja zgodności UE

Niniejszym producent, Cambium Networks Ltd, oświadcza, że urządzenia radiokomunikacyjne cnVision Hub-FLEXr 5 GHz / 5 GHz Client-MAXr / 5 GHz Client-MAXrp / 5 GHz Client-MINI Radio / 5 GHz Client-MICRO spełniają wymogi dyrektywy 2014/53/UE. Pełny tekst unijnej deklaracji zgodności jest dostępny pod następującym adresem internetowym: [http://www.cambiumnetworks.com/ec\\_dofc](http://www.cambiumnetworks.com/ec_dofc)

## Dyrektywa o zużyтым sprzęcie elektrycznym i elektronicznym (WEEE)



Zużyty sprzęt elektryczny i elektroniczny ani jego akcesoria nie powinny być utylizowane jako część odpadów zmieszanych. W niektórych krajach lub regionach obowiązuje system selektywnej zbiórki odpadów elektrycznych i elektronicznych. W celu uzyskania informacji o selektywnym odbiorze odpadów w krajach Unii Europejskiej należy skontaktować się z lokalnym sprzedawcą sprzętu lub z centrum serwisowym Cambium Networks.

## Cambium Networks

Firma Cambium Networks dostarcza rozwiązania do tworzenia profesjonalnych, szerokopasmowych stałych łączy radiowych i mikrofalowych dla klientów na całym świecie. Nasze rozwiązania zostały wdrożone w tysiącach sieci w ponad 153 krajach, a nasze innowacyjne technologie zapewniają niezawodne, bezpieczne połączenia o dobrym stosunku jakości do ceny, które są łatwe we wdrożeniu i wyjątkowo wydajne.

Nasze wielokrotnie nagradzane rozwiązania do nawiązywania połączeń Point to Point (PTP) działają w licencjonowanych, nielicencjonowanych i zdefiniowanych pasmach częstotliwości użytkowych, w tym w wyspecjalizowanych środowiskach FIPS 140-2 przeznaczonych dla rynku federalnego Stanów Zjednoczonych. Nasze rozwiązania PTP o zwiększonej odporności zostały zaprojektowane tak, aby zapewnić dostępność sieci na poziomie 99,999%, i są znane ze swojej niezawodności oraz wydajności w infrastrukturze łączy dosyłowych. To doskonałe rozwiązania dla najbardziej wymagających środowisk radiowych, w których poszczególne elementy infrastruktury bezprzewodowej znajdują się poza wzajemnym polem widzenia.

Nasze wszechstronne rozwiązania typu Point-to-Multipoint (PMP) działają w licencjonowanych, nielicencjonowanych i federalnych pasmach częstotliwości, umożliwiając tworzenie niezawodnych i bezpiecznych sieci dostępowych o atrakcyjnym współczynniku jakości do ceny. W sieciach na całym świecie wdrożono już ponad trzy miliony modułów naszej firmy, a nasze rozwiązania sieci dostępowych PMP sprawdzają się w codziennym użytkowaniu w budynkach mieszkalnych, infrastrukturze zastępującej łącza dzierżawione, systemach monitoringu oraz w inteligentnej infrastrukturze sieciowej.

Rozwiązania Cambium Networks są znane i cenione w branży bezprzewodowych usług szerokopasmowych. Nasza firma projektuje, wdraża i dostarcza innowacyjne rozwiązania w zakresie łączności danych, głosu i wideo, które umożliwiają komunikację międzyludzką, umożliwiając rozwój społeczności i handlu na całym świecie.

Podręczniki dla użytkowników: <http://www.cambiumnetworks.com/guides>

Szkolenia techniczne: <https://learning.cambiumnetworks.com>

Witryna wsparcia technicznego: <https://support.cambiumnetworks.com>

Adres: Cambium Networks Limited,  
Linhay Business Park,  
Eastern Road  
Ashburton,  
Devon, TQ13 7UP  
Wielka Brytania

## Doğruluk

Bu belgenin doğruluğunu temin etmek için makul çabalar harcanmış olsa da, Cambium Networks bu belgedeki hatalar ve ihmallerden veya buradaki bilgilerin kullanımından kaynaklanan herhangi bir yükümlülük üstlenmez. Cambium Networks güvenilirlik, fonksiyon ya da tasarımı iyileştirmek için burada açıklanmış olan herhangi bir üründe değişiklik yapma hakkını ve revizyon ve değişikliklerden kimseyi bilgilendirme yükümlülüğü olmaksızın bu belgeyi revize etme ve içerikte zaman zaman değişiklikler yapma hakkını saklı tutar. Cambium Networks uygulamadan ya da burada tanımlanmış herhangi bir ürünün, yazılımın ya da devrenin kullanımından kaynaklanan herhangi bir yükümlülüğü üstlenmez; ayrıca patent hakları ya da başkalarının hakları altında herhangi bir lisans iletmez. Bu yayının ülkenizde duyurulmamış Cambium Networks ürünleri (makinelere ve programlar), programlama ya da hizmetleri hakkında başvurular ya da bilgiler içermesi mümkündür. Bu tür başvurular ya da bilgiler Cambium Networks şirketinin bu tür Cambium Networks ürünlerini, programlarını ya da hizmetlerini duyurmayı hedeflediği anlamında yorumlanmamalıdır.

## Telif Hakları

Bu belge, bu belgede açıklanmış Cambium Networks ürünleri ve 3. Taraf yazılım ürünleri, telif haklı saklı bulunan Cambium Networks ve diğer 3. taraflardan tedarik edilmiş olan yarı iletken belleklerde ya da diğer ortamlarda bulunan bilgisayar programlarını içerebilir ya da açıklayabilir. Amerika Birleşik Devletleri ve diğer ülkelerdeki kanunlar Cambium Networks şirketini, münhasır kopyalama, herhangi bir biçimde çoğaltma ve telif haklı malzemeden türev işler üretme dahil olmak üzere, telif haklı malzemeler için belirli münhasır haklar konusunda, bu şirketin lisans sahiplerini ve diğer Üçüncü Tarafça verilen yazılımları korur. Buna göre, Cambium Networks ürünlerinde bulunan Cambium Networks şirketine, bu şirketin lisans sahiplerine ve diğer Üçüncü Tarafça verilen yazılımlara ait iş bu dokümanda tanımlanmış olan tüm telif haklı malzemeler Cambium Networks şirketinin açık yazılı izni olmaksızın hiçbir şekilde kopyalanamaz, çoğaltılamaz, ters mühendisliği yapılamaz, dağıtılamaz, birleştirilemez ya da değiştirilemez. Ayrıca, Cambium Networks ürünlerinin satın alınması, bir ürünün satışından dolayı kanunun işleyişinden kaynaklanan normal, münhasır olmayan, telifsiz kullanma hakkı dışında, doğrudan ya da dolaylı olarak, itiraz hakkının düşmesi ya da başka bir şekilde Cambium Networks ya da diğer Üçüncü Tarafça verilen yazılımların telif hakları, patentleri ya da patent uygulamaları altında herhangi bir lisans hakkı vermiş sayılmaz.

## Sınırlamalar

Yazılım ve dokümantasyonu telif haklı materyallerdir. İzinsiz çoğaltılması kanunen yasaktır. Bu yazılımın ya da dokümantasyonun hiçbir kısmı Cambium Networks şirketinin öncesinde yazılı izni olmaksızın, hiçbir şekilde ya da hiçbir yolla çoğaltılamaz, gönderilemez, kopyası çıkartılamaz, bir erişim sisteminde saklanamaz ya da herhangi bir dile ya da bilgisayar diline çevrilemez.

## Lisans Sözleşmeleri

Bu belgede tanımlanan yazılım Cambium Networks ve onun lisans sahiplerinin mülküdür. Sadece açık lisans sözleşmesiyle delillendirilmiş olup, sadece bu tür bir sözleşmenin şartlarına göre kullanılabilir.

## Yüksek Riskli Materyaller

Cambium ve onun tedarikçileri, nükleer tesislerin, uçak navigasyon ya da uçak haberleşme sistemlerinin, hava trafik kontrol sistemlerinin, yaşam destek ya da silah sistemlerinin çalıştırılması ("Yüksek Riskli Kullanım") dahil, ancak bunlarla sınırlı olmamak üzere, herhangi bir yüksek riskli faaliyete ya da ürünlerinin kullanımına uygunluğuna ilişkin tüm açık ya da dolaylı garantiyi özellikle reddeder. Her türlü Yüksek Risk izinsizdir ve riski size aittir; herhangi bir Yüksek Riskli Kullanımdan kaynaklanan tüm kayıplar, hasar ya da tazminat taleplerinden siz sorumlu olursunuz.

## Kullanım Amacı | Kurulum | Çalıştırma

Cambium Networks cnVision serisi telsiz ürünleri, Noktadan Çoklu Noktaya (PMP) ve Noktadan Noktaya (PTP) mikrodalga hatları üzerinden veri iletimini destekler. Bu telsiz ekipmanı sadece sabit dış mekan kurulumlarına yönelik profesyonel kullanım için tasarlanmıştır. Bu telsizler entegre antenli olarak sunulur.

Konektörlü üniteler, ayrıca satın alınabilen belirli çift polariteli harici antenlerle 2 x SMA tipi dışi konektörler üzerinden çalışabilir. Telsiz ekipmanı ve aksesuarlarının kullanım amacına göre ve anten üreticisinin sağladığı açıklamaya göre çalıştırılmasından kurulumu yapan kişi sorumludur. Harici antenler için izin verilen maksimum anten kazanımı abone modülleri için 25 dBi ve erişim noktası dilimleri için 17 dBi şeklindedir.

Bu ürünün kurulum ve çalıştırma işlemlerinin karmaşık olmasından dolayı Cambium, çalıştırma işleminin ürünün kurulu olduğu bölgedeki kurallarla uyumlu olmasını sağlamak için sistemin kurulum ve yönetiminin bir profesyonel tarafından yapılmasını önerir. Lütfen bu broşürde yer alan talimatları uygulayın. Noktadan Çoklu Noktaya (PMP)/Noktadan Noktaya (PTP) kurulum ve çalıştırma hakkında daha fazla bilgi, ürünün kullanım kılavuzunda mevcuttur.

Kurulumu yapan kişinin kurulum görevini gerçekleştirebilecek düzeyde yeterli bilgi, beceri ve deneyime sahip olması gerekir ve bu kişi şunlardan sorumludur:

- Telsiz mevzuatı, elektrikli aletlerin kurulum mevzuatı, aşırı gerilim koruma mevzuatı ve "yüksekte çalışma" mevzuatı da dahil olmak üzere yürürlükteki mevcut ulusal mevzuatlara aşina olmak
- Kurulumu Cambium Networks talimatlarına göre gerçekleştirmek
- Ekipman ayarlarının ulusal ya da bölgesel mevzuatlara uygun olduğunu onaylamak

## Kurulum | Çalıştırma | Güvenlik

Kurulum sırasında lütfen aşağıdaki önemli talimatları uygulayın. Bu işlem, ekipmanın ulusal düzenleyici mevzuatlara uyumluluğunu sağlayacaktır.

- Ekipmanın en son donanım yazılımı sürümüyle (Sistem Yayını 3.5.5 veya 4.1.X veya üzeri) donatıldığından emin olun. Yazılım, Cambium Destek Merkezi web sitesinden temin edilebilir.
- Ekipmanın kurulumu sırasında ürünün kurulduğu ülke için geçerli olan doğru bölge koduna ayarlandığını doğrulayın (AB ürünleri için bölge kodu fabrika ön ayarlıdır) ve ardından ürünün kurulduğu söz konusu ülke için doğru ülke kodunu seçin.
- Konektör fonksiyonlu üniteler için anten kazanımını, "Konfigürasyon > Telsiz" menüsü altındaki "Anten Kazanımı" ayarı altına girin.

Aşağıdaki güvenlik kurallarına uyun:

- Cihazın ve monte edildiği yapının önerilen sahadaki maksimum rüzgar hızına dayanabilecek kapasitede olduğundan emin olun.
- Servis bakımı yapmadan önce daima ekipmanı kapatın ve fişten çekin. cnVision güç kaynağı birincil devre kesme cihazıdır.
- Verici açık durumdayken anten yakınında güçlü radyo frekansı (RF) alanları bulunacaktır. Anten önünde bakım faaliyetleri gerçekleştirilmeden önce daima cihaza gelen gücü kapatın.
  - cnVision serisi ürünler için aşağıda sunulmuş olan minimum güvenli mesafe sınırına uyun.
  - Ekipmanın insanlar için herhangi bir radyasyon tehlikesi oluşturmayacak şekilde kurulduğundan emin olun.
- Yüksek ortamlarda çalışırken aşırı dikkatli olun. Ulusal "yüksekte çalışma" mevzuatına uyun. Eğitim almış "yetkin" personel kullanın.
- Enerji nakil hatları yakınında çalışırken aşırı dikkatli olun.

## Güvenlik

- cnVision cihazları ve montaj yapıları yıldırım düşmesine karşı koruma için düzgün şekilde topraklanmalıdır. Ekipmanın ulusal mevzuatlara uygun şekilde kurulması kullanıcının sorumluluğundadır. Kurulum işinin profesyonel kurulum işlemi yapan bir kişiye verilmesi önerilir.
- Ekipmana güç sağlamak için daima belirtilmiş olan cnVision platformu güç kaynağı ünitelerini (PSU) kullanın. Cambium tarafından tedarik edilen belirtilmiş Ethernet Üzerinden Güç (PoE) ünitesinin kullanılmaması ekipman hasarına ve güvenlik tehlikesine neden olabilir.
- Yapıların, ekipmanların ve insanların elektrostatik boşalığa karşı aşağıdakiler gerçekleştirilerek korunmaları gerekir:-
  - ekipmanın, yıldırım düşmesine karşı korunduğu bir bölgeye yerleştirilmesiyle
  - aşırı akımın ayrı bir sağlam yolla toprağa iletilmesini sağlayacak uygun paratoner hattı kurulumuyla.
- Çalıştırma sırasında mahfaza dokunulamayacak düzeyde sıcak olabilir.
- Dış mekan ortamına maruz kalacak bağlantılar için dış mekana uygun kablolar kullanılmaması halinde güvenlik konusu riske atılmış olabilir. Cambium tarafından önerilen kabloları kullanın.

## Güç Kaynağı

Güç kaynağı cnVision modülüne ve şebeke sonlandırma ekipmanına bağlı, RJ45 konektörlü CAT5e kablosu kullanan bir iç mekan ünitesidir. Modüle Ethernet Üzerinden Güç (PoE) verebilmesi amacıyla ayrıca AC ya da DC güç kaynağına da takılır. Üniteyle birlikte verilen Güç Kaynağını kullanmanız önerilir.

## Montaj

Montaj talimatları için Montaj ideogramına bakın. ([Buraya TIKLAYIN](#))

## Konfigürasyon

### Yönetim bilgisayarını yapılandırma

- 1 Ethernet bağlantı noktası için Özellikler'i seçin. Windows 7'de bulunduğu konum: Denetim Masası > Ağ ve İnternet > Ağ Bağlantıları > Yerel Alan Bağlantısı.
- 2 İnternet Protokolü (TCP/IP) ögesini seçin:
- 3 Özellikler ögesini tıklayın.
- 4 169.254.X.X ağı için geçerli bir IP adresi girin, 169.254.0.0 ve 169.254.1.1 adreslerini girmekten kaçının. Buna iyi bir örnek olarak şu verilebilir 169.254.1.3:
- 5 255.255.0.0 alt ağ maskesini girin. Varsayılan ağ geçidini boş bırakın.

### Bilgisayara bağlama ve güç verme

- 1 ODU ETH bağlantı noktasının güç kaynağının Ethernet + Güç bağlantı noktasına bağlı olup olmadığını kontrol edin.
- 2 Bilgisayarın Ethernet bağlantı noktasını standart bir (çapraz bağlı olmayan) Ethernet kablosu kullanarak Güç Kaynağı Ünitesinin (PSU) LAN bağlantı noktasına bağlayın.
- 3 Güç Kaynağı Ünitesine (PSU) ana şebeke veya batarya ile elektrik verin. Yeşil Güç LED ışığının kesintisiz yanması gerekir.
- 4 Dış Mekan Ünitesi (ODU) kırmızı Ethernet LED ışığının kesintisiz yanıp yanmadığını kontrol edin.
- 5 Bir internet tarayıcısı açın ve şunu yazın: 169.254.1.1İstendiğinde grafik kullanıcı arayüzünde (GUI) giriş yapmak için admin/admin yazın ve konfigürasyonu tamamlayın.

### Limitlere uyma

Ülke parametresini (web yönetimi arayüzünde Konfigürasyon > Telsiz > Genel konumunda bulunur) yapılandırarak hattın ülke yerel mevzuat gerekliliklerine uyacak şekilde yapılandırıldığından emin olun.

Harici antenli konektörlü cihazları kullanırken, cihazdaki anten kazanımının da doğru şekilde yapılandırıldığından emin olun (Anten Kazanımı parametresi web yönetimi arayüzünde Konfigürasyon > Telsiz > Güç Kontrolü konumunda bulunur).

## AB'de Çalıştırma

AB'de, 5 GHz cnVision serisi ürünler aşağıdaki frekans bantlarında gösterilen en yüksek güçte kadar güçlerde çalıştırılır:

Çalıştırma Frekans Bandı	AB Standardı	Maksimum Güç Sınırı (EIRP)	İzin verilen kullanım	Bu frekans bandını destekleyen 5 GHz üniteler
5470 - 5725 MHz	EN 301 893	1 Watt / 30 dBm	Tüm AB ülkelerinde genel kullanıma uygundur	Tüm CNVISION
5725 - 5875 MHz	EN 302 502	4 Watt / 36 dBm	Bazı AB ülkelerinde izin verilir; bkz. Not 1 - 5	Tüm CNVISION

- Not 1: Aşağıdaki AB ülkelerinde 5,8 GHz bandında çalıştırmaya izin verilmez: AT, BG, CZ, CY, FR, HR, IT, LU, LV, NL, PL, TR. Diğer ülkelerde, çalıştırma için resmi lisans gerekli olabilir; lütfen ulusal resmi web sitenizden kontrol edin.
- Not 2: Telsiz her bir ülke kodu için ulusal frekans tahsisleri, güç ve DFS ayarlarını uygular.
- Not 3: Birleşik Krallık ve İrlanda'da hafif lisanslama geçerlidir. Devletinizin web sitesinden bir lisans almanız gerekir..
- Not 4: Norveç için, 5725–5795 MHz ve 5815–5850 MHz frekans bantlarının kullanımına izin verilmektedir.
- Not 5: 5725 –5875 MHz frekans bandında çalıştırma Cambium web sitesinden bir lisans anahtarı indirerek ve uygulayarak etkinleştirilir.

AB'de kurulumu yapılan cnVision serisi ürünler için ekipman ve insanlar arasındaki minimum güvenli mesafe 10 cm'dir.

### Kullanım izni kısıtlamaları ve gereklilikleri

- Bu telsiz ekipmanı sadece dış mekan kullanımı içindir.
- cnVision ürünler farklı ülkelerdeki frekans planlamasına bağlı olmak üzere, lisanssız frekans bantlarında çalışacak şekilde yapılandırılabilir. Operatörler / Son Kullanıcılar ekipmanın çalıştırma işleminin yapılacağı ülkede yürürlükte bulunan mevzuata göre kurulum ve çalıştırma işlemlerinin gerçekleştirilmesini sağlamalı ve gerekli lisans ya da izinleri almalıdır.

### Basitleştirilmiş AB Uygunluk Beyanı

İşbu beyan metniyle üreticiCambium Networks Ltd. şirketi cnVision Hub-FLEXr 5 GHz / 5 GHz Client-MAXr / 5 GHz Client-MAXrp / 5 GHz Client-MINI Radio / 5 GHz Client-MICRO telsiz ekipman türlerinin 2014/53/EU Yönergesiyle uyumlu olduğunu beyan eder. AB uygunluk beyanının tam metnine erişilebilecek internet adresi: [http://www.cambiumnetworks.com/ec\\_dofc](http://www.cambiumnetworks.com/ec_dofc)

## Atık Elektrikli ve Elektronik Ekipmanlar (WEEE) direktifi



Lütfen Elektronik ve Elektrikli Ekipmanları veya Elektronik ve Elektrikli Aksesuarları ev atıklarınızla birlikte atmayın. Bazı ülkelerde ya da bölgelerde elektrikli ve elektronik ekipman atıklarının yönetimi için toplama sistemleri kurulmuştur. Avrupa Birliği ülkeleri içerisinde, ülkenizdeki atık toplama sistemi hakkında bilgi için yerel ekipman tedarikçi temsilcinizle veya Cambium Networks Destek Merkeziyle iletişime geçin.

## Cambium Networks

Cambium Networks dünya genelindeki müşterilerine profesyonel sınıfta sabit kablosuz geniş bant ve mikrodalga çözümleri sunar. Kurulumu kolay ve üstün performans sağladığı kanıtlanmış, güvenilir, güvenli, maliyet-etkin bağlanabilirlik sağlayan yenilikçi teknolojileriyle sunduğumuz çözümlerimiz 153'ten fazla ülkede ağlara kurulmaktadır.

Ödül kazanan Noktadan Noktaya (PTP) telsiz çözümlerimiz lisanslı, lisanssız ve ABD Federal piyasasına yönelik özel FIPS 140-2 çözümleri de dahil olmak üzere tanımlı bantları kullanıyor. %99,999 kullanılabilirlik düzeyinde sağlamlaştırılmış Noktadan Noktaya (PTP) çözümlerimizin mükemmel geçmiş performansı, görüş mesafesi olmayan RF ortamlarında bile, güvenilir, yüksek hızlı geri veri aktarım bağlanabilirliği sunduğu gösteriyor.

Esnek Noktadan Çoklu Noktaya (PMP) çözümlerimiz lisanslı, lisanssız ve federal frekans banlarında çalışarak, güvenilir, güvenli, maliyet-etkin erişimli ağ hizmetleri sağlıyor. Dünya genelinde ağlara kurulan üç milyondan fazla modülle, Noktadan Çoklu Noktaya (PMP) erişim ağ çözümlerimiz yerleşim bölgelerinde erişim, kiralık hat yedeği, güvenlik kamerası sistemi ve akıllı şebeke altyapısı çözümleriyle her gün kendini kanıtlamaktadır.

Cambium Networks çözümleri kablosuz geniş bant sektörünün kendini kanıtlamış, saygın öncülerindedir. Dünya genelinde neredeyse her yerde, hayati haberleşme, kişisel, ticari ve toplumsal büyümeyi güçlendirilmeyi mümkün kılan ve sağlayan yenilikçi veri, ses ve video bağlanabilirlik çözümlerini tasarlıyoruz, kuruyoruz ve teslim ediyoruz.

Kullanım Kılavuzları: <http://www.cambiumnetworks.com/guides>

Teknik eğitim: <https://learning.cambiumnetworks.com>

Destek web sitesi: <https://support.cambiumnetworks.com>

Adres: Cambium Networks Limited,  
Linhay Business Park,  
Eastern Road  
Ashburton,  
Devon, TQ13 7UP  
Birleşik Krallık



## Az információk helyessége

Bár törekedtünk arra, hogy a jelen dokumentum megfeleljen a valóságnak, a Cambium Networks nem vállal felelősséget sem az előforduló pontatlanságoknak és hiányosságoknak, sem az innen szerzett információk alkalmazásának a következményeiért. A Cambium Networks fenntartja a jogot, hogy a megbízhatóság, működés vagy kialakítás jobbá tétele érdekében módosítsa bármelyik itt leírt terméket; és fenntartja a jogot, hogy módosítsa ezt a dokumentumot, illetve időnként változtasson a tartalmán anélkül, hogy a módosításokról vagy változtatásokról kötelessége lenne bárkit értesíteni. A Cambium Networks nem vállal semmilyen felelősséget az itt ismertetett termékek, szoftverek vagy áramkörök alkalmazásának vagy használatának következményeiért; és nem ruház át a szabadalmi jogai alá tartozó licencet, valamint nem ruházza át mások jogait sem. Lehetséges, hogy ez a kiadvány tartalmaz olyan Cambium Networks termékkel (géppel, programmal), programozással vagy szolgáltatással kapcsolatos hivatkozást vagy információt, ami az önök országában nem került forgalomba. Az ilyen hivatkozások vagy információk nem jelentik azt, hogy a Cambium Networks be akarna vezetni az önök országában ilyen Cambium Networks termékeket, programozásokat vagy szolgáltatásokat.

## Szerzői jogok

Ez a dokumentum, a jelen dokumentumban ismertetett Cambium Networks termékek, valamint a harmadik személyektől származó szoftvertermékek tartalmazhatnak vagy leírhatnak szerzői jogi oltalom alatt álló, Cambium Networks és egyéb, harmadik féltől származó, félvezető memóriában vagy más adathordozón tárolt számítógépprogramokat. Az Amerikai Egyesült Államokban és más országokban érvényes jogszabályok a Cambium Networks, licencbe adói és más harmadik személyeknek biztosított szoftverek számára kizárólagos jogot biztosítanak szerzői jogi oltalom alatt álló anyagokhoz; például a szerzői jogi oltalom alatt álló anyagok lemásolásához, bármilyen formában való reprodukálásához, terjesztéséhez és azokból származó derivatív munkák előállításához. Ennek megfelelően a jelen dokumentumban ismertetett Cambium Networks termékekben lévő, a Cambium Networkstől, licencbe adótól, illetve a harmadik féltől származó szoftverrel együtt járó anyagok minden szerzői jogi oltalom alatt álló részét tilos a Cambium Networks kifejezett írásbeli engedélye nélkül bármilyen módon lemásolni, reprodukálni, visszafejteni, terjeszteni, egyesíteni és módosítani. Továbbá a Cambium Networks termékek beszerzése nem értelmezendő úgy, hogy megadnának akár közvetlenül, akár közvetett módon, álláspont-változtatás kizárásával vagy máshogy bármilyen a Cambium Networks vagy más harmadik személy által biztosított szoftver szerzői jogai, szabadalmi vagy szabadalmi igényei alatt lévő licencet; kivéve a normál nem kizárólagos, jogdíjmentes használandó licencet, ami egy termék értékesítésében a törvényes jog alkalmazásából adódik.

## Korlátozások

A szoftver és a dokumentáció szerzői jogi oltalom alatt álló anyag. A jogosulatlan másolást jogszabály tiltja. A szoftvernek és a dokumentációnak semmilyen része sem reprodukálható, továbbítható, írható át, tárolható adat-visszanyerési rendszerben, és nem fordítható le semmilyen nyelvre, számítógépes nyelvre sem, semmilyen formában és módon a Cambium Networks előzetes írásbeli engedélye nélkül.

## Licencmegállapodások

A jelen dokumentumban ismertetett szoftver a Cambium Networksnek és licencadóinak a tulajdona. Csak kifejezett licencmegállapodással kerül átadásra, és kizárólag ilyen megállapodás feltételeinek megfelelően használható.

## Nagy kockázatú anyagok

A Cambium és beszállítója (beszállítói) kifejezetten megtagadnak mindenféle kifejezett és hallgatólagos garanciát azzal kapcsolatban, hogy a termék alkalmas lenne bármilyen nagy kockázatú tevékenységre vagy ahhoz való használatra, mint például – egyebek mellett – nukleáris létesítmények üzemeltetése, légi járművek irányítása vagy kommunikációs rendszerei, légiforgalom-irányítás, mesterséges életben tartásra szolgáló rendszerek vagy fegyverrendszerek („nagy kockázatú használat”). Mindenféle nagy kockázatú felhasználás tilos, azokat önök saját kockázatukra idézik elő, és önök lesznek felelősek a nagy kockázatú használatból eredő minden veszteségért, károsodásért ill. követelésért.

## Rendeltetésszerű használat | Telepítés | Üzemeltetés

A Cambium Networks cnVision rádiótermékei Point-to-Multipoint (PMP) és Point-to-Point (PTP) mikrohullámú kapcsolaton keresztüli adatátvitelt támogatnak. Ez a rádióberendezés kizárólag professzionális, kültéri, rögzített telepítési környezetekben használandó. Ezek a rádiók integrált antennával kaphatók.

A csatlakozóval ellátott egységek 2 db SMA típusú anya csatlakozón keresztül bizonyos fajta külön beszerezhető kettős polaritású (dual-polarity) külső antennákkal használhatók. A telepítést végző személynek a rádióberendezést rendeltetésszerűen, az antennagyártótól kapott leírásnak megfelelően kell kezelnie. Külső antennákra vonatkozóan a megengedett maximális antennanyereség előfizetői modulok esetén 25 dBi, hozzáférési ponti szektorok esetén pedig 17 dBi.

A termék telepítése és üzemeltetése összetett; a Cambium emiatt javasolja, hogy a termék üzembe helyezési régiójában érvényes előírásoknak való megfelelés érdekében szakember telepítse és kezelje a rendszert. Kérjük, a jelen tájékoztatóban megadott utasítások szerint járjon el. A PMP / PTP telepítéshez és üzemeltetéshez további útmutatást a termék használati útmutatójában találhat.

A telepítést végző személynek rendelkeznie kell a szükséges képességekkel, ismeretekkel és tapasztalattal a telepítés elvégzéséhez, és a következőkért felelős:

- Az aktuális vonatkozó országos előírások, így a rádiókkal, az elektromos berendezések telepítésével, a túlfeszültség-védelemmel és a magaslatokon végzett munkával kapcsolatos előírások ismerete
- Telepítés a Cambium Networks útmutatása szerint
- Meggyőződés arról, hogy a berendezés beállításai megfelelnek az országos vagy regionális előírásoknak

## Telepítés | Üzemeltetés | Biztonság

A telepítés során vegye figyelembe az alábbi fontos utasításokat! Ezáltal fog a berendezés megfelelni az országos előírásoknak.

- Győződjön meg arról, hogy a berendezés a legújabb firmware-verzióval van ellátva (3.5.5 vagy 4.1.X vagy újabb rendszerkiadás). A szoftvert a Cambium Support Center webhelyén érheti el.
- A berendezés beállításakor ellenőrizze, hogy a megfelelő régiókód van-e beállítva. (EU-s termékek esetében a régiókódot gyárilag előre beállítják.) Ezután válassza ki az üzembe helyezés országának megfelelő országkódot.
- Csatlakozóval ellátott egységek esetében adja meg az antennanyereséget a „Configuration > Radio” (Konfiguráció > Rádió) menü „Antenna Gain” (Antennanyereség) beállításánál.

Tartsa szem előtt a következő biztonsági előírásokat:

- Ügyeljen arra, hogy az eszköz és a szerkezet, amelyhez azt rögzítették, ellenálljon a javasolt üzemelési hely maximális szélességének!
- Javítás előtt mindig kapcsolja ki a berendezést, valamint szüntesse meg annak áramellátását! Az elsődlegesen leválasztandó eszköz az cnVision tápegysége.
- A jeladó működésekor az antennához közel erős rádiófrekvenciás (RF) mezők vannak. Az antenna előtt végzett karbantartási műveletek előtt mindig kapcsolja ki az eszköz áramellátását!
  - Ügyeljen az cnVision termékekhez alább megadott minimális biztonságos távolság tartására!
  - Ügyeljen arra, hogy a berendezést olyan helyzetben telepítsék, hogy az ne jelentsen sugárzásveszélyt az emberekre!

- Magaslatokon végzett munka esetén legyen rendkívül óvatos! Tartsa szem előtt a magaslatokon végzett munkával kapcsolatos országos előírásokat! Szakképzett, hozzáértő alkalmazottakkal dolgozzon!
- Távvezetékek közelében végzett munka esetén legyen rendkívül óvatos!

## Személybiztonság

- Az cnVision eszközöket és azok tartószerkezeteit megfelelő, villámvédelmi földeléssel kell ellátni. Hogy a berendezést az országos előírásoknak megfelelően telepítsék, arról a felhasználónak kell gondoskodnia. Ajánlott a telepítésre szakképzett telepítőt szerződtetni.
- Mindig a meghatározott cnVision platform tápegységeket (PSU-kat) használja a berendezés működtetéséhez. Ha nem a meghatározott, Cambiumtól származó PoE-et használják, az a berendezés meghibásodását eredményezheti, és biztonsági kockázatot okozhat.
- A szerkezeteket, a berendezést és a személyeket a következők betartásával meg kell védeni az elektrosztatikus kisülésektől:
  - a berendezés villámvédett helyen való elhelyezése
  - megfelelő villámhárítók telepítése a túláram szilárd útvonallal vezetett földeléséhez.
- Működés közben a burkolat megérintve forró lehet.
- Ha kültéri környezetnek kitett összeköttetésekhez nem kültéri használatra való kábeleket használnak, az veszélyes lehet. A Cambium által javasolt kábeleket telepítse.

## Tápegység

A tápegység egy beltéri egység, amit az cnVision modulhoz és hálózati végződtetőberendezésekhez Cat5e kábellel és RJ45 csatlakozókkal lehet csatlakoztatni. Csatlakoztatni kell AC vagy DC áramforráshoz is, hogy PoE (Power-over-Ethernet) révén biztosíthassa a modul tápellátását. Ajánlott az egységhez mellékelt tápegységet használni.

## A felszerelés módja

A szerelési utasításokat lásd a Szerelési ideogramban. ([Kattints ide](#))

## Konfigurálás

### A kezelési PC számítógép konfigurálása

- 1 Jelölje ki az Ethernet portra vonatkozó tulajdonságokat (Properties). Windows 7 esetén: Vezérlőpult > Hálózat és internet > Hálózati kapcsolatok > Helyi kapcsolat (Control Panel > Network and Internet > Network Connections > Local Area Connection).
- 2 Jelölje ki a TCP/IP protokoll (Internet Protocol (TCP/IP)) elemet:
- 3 Kattintson a Tulajdonságok (Properties) gombra.
- 4 Adjon meg egy, a 169.254.X.X hálózatnak megfelelő IP-címet; kerüldendő a 169.254.0.0 és a 169.254.1.1. Egy jó példa: 169.254.1.3:
- 5 Adjon meg egy alhálózati maszkot: 255.255.0.0. Az alapértelmezett átjárót hagyja üresen.

### Csatlakoztatás a számítógéphez és áram alá helyezés

- 1 Ellenőrizze, hogy a kültéri egység ETH portja csatlakoztatva van-e a tápegység Ethernet + Power portjához.
- 2 Csatlakoztassa a PC Ethernet portját a tápegység LAN portjához normál (egyeneskötésű) Ethernet-kábellel.
- 3 Helyezze áram alá a tápegységet (konnektorból vagy akkumulátorral). Ha sikerült, a zöld Power led folyamatosan világít.
- 4 Ellenőrizze, hogy a kültéri egység piros Ethernet ledje folyamatosan világít-e.
- 5 Nyisson meg egy webes böngészőprogramot, és gépelje be: 169.254.1.1 – Amikor a program kéri, az admin/admin begépelésével jelentkezzen be a grafikus felületre, és végezze el a konfigurálást.

### A határértékeknek való megfelelés

Ügyeljen arra, hogy a bekonfigurált link a helyi szabályozói előírásoknak megfelelő legyen: konfigurálja be az országot (Country paraméter), amely a webes kezelőfelületen a Rádió > Általános részen található (Configuration > Radio > General).

Ha csatlakozós egységeket (külső antennával) használnak, arra is ügyelni kell, hogy az antennanyereség az eszközben helyesen legyen konfigurálva. Az antennanyereség (Antenna Gain) paraméter a webes kezelőfelületen a rádiós teljesítménybeállításoknál található (Configuration > Radio > Power Control)

## EU-beli használhatóság

Az EU-ban az 5 GHz-es cnVision termékek a következő frekvenciasávokban működnek, legfeljebb a feltüntetett maximális teljesítményig:

Működési frekvenciasáv	EU-szabvány	Maximális teljesítménykorlát (EIRP)	Engedélyezett használat	Ezt a frekvenciasávot támogató 5 GHz-es egységek
5470–5725 MHz	EN 301 893	1 watt/30 dBm	Általánosan használható minden EU-tagállamban	Mindegyik CNVISION
5725–5875 MHz	EN 302 502	4 watt/36 dBm	Némelyik EU-tagállamban megengedett, lásd 1.–5. megjegyzés	Mindegyik CNVISION

- Note 1: A következő európai országokban az 5,8 GHz-es sávban nem szabad üzemeltetni: AT, BG, CZ, CY, FR, HR, IT, LU, LV, NL, PL, TR. Egyéb országokban a működtetéshez kormányzati engedélyre vagy licencre lehet szükség. Tájékozódjon az adott ország kormányzati webhelyéről..
- Note 2: A rádió az egyes országkódokhoz országos frekvenciakiosztásokat, valamint teljesítmény- és DFS-beállításokat alkalmaz.
- Note 3: Az Egyesült Királyságban és Írországban light licensing alkalmazandó. Szerezze be a licencet a megfelelő kormányzati webhelyről..
- Note 4: Norvégia esetében a 5725–5795 MHz és a 5815–5850 MHz frekvenciasáv használata van engedélyezve.
- Note 5: Az 5725–5875 MHz tartományban való működést a Cambium webhelyéről letölthető licenckulccsal lehet engedélyezni.

Az EU-ban üzembe helyezett cnVision termékek esetén a berendezés és az emberek közötti minimális biztonságos távolság 10 cm.

## Korlátozások és előírások a használat engedélyezéséhez

- A berendezés csak kültéri környezetben használandó.
- Az cnVision termékek licenceletlen frekvenciasávokban való működésre konfigurálhatók; ezekre az egyes országokban frekvenciatervezés vonatkozhat. A működtetőknek vagy végfelhasználóknak gondoskodniuk kell arról, hogy a berendezés telepítése és működtetése az adott országra vonatkozó szabályoknak megfelelően történjen, valamint be kell szerezniük minden szükséges licencet és egyéb engedélyt

## Egyszerűsített EU-s megfelelőségi nyilatkozat

A gyártó (Cambium Networks Ltd) ezúton kijelenti, hogy a következő rádióberendezés-típusok megfelelnek az EU 2014/53/EU irányelvének: cnVision Hub-FLEXr 5 GHz / 5 GHz Client-MAXr / 5 GHz Client-MAXrp / 5 GHz Client-MINI Radio / 5 GHz Client-MICRO. Az Európai Unió megfelelőségi nyilatkozat teljes szövege a következő webhelyen érhető el: [http://www.cambiumnetworks.com/ec\\_dofc](http://www.cambiumnetworks.com/ec_dofc)

## Az elektromos és elektronikus berendezések hulladékairól (WEEE) szóló irányelv:



Elektromos és elektronikus berendezéseket vagy tartozékokat ne helyezzen a háztartási szemétkosárba! Egyes országokban vagy régiókban az elektromos és elektronikus hulladékok kezelésére begyűjtőrendszerek működnek. Európai uniós országokban, ha tájékozódni szeretne az országa hulladékgyűjtési rendszeréről, forduljon helyi berendezésszolgáltatójának a képviselőjéhez vagy a Cambium Networks támogatási központjához.

## Cambium Networks

A Cambium Networks professzionális kategóriájú rögzített vezeték nélküli szélessávú és mikrohullámú megoldásokat nyújt az ügyfeleinek szerte a világon. A megoldásaink több, mint 153 országban, több ezer hálózatba telepítve vannak. Az újító jellegű technológiáink megbízható, biztonságos, költségkímélő összeköttetéseket tesznek lehetővé. Azokat könnyen a helyszínekre lehet telepíteni, és igazoltan kiemelkedően teljesítenek.

A díjnyertes Point-to-Point (PTP) rádió megoldásaink licencelt, licenceletlen és meghatározott célú frekvenciasávokban üzemelnek; vannak köztük konkrét FIPS 140-2 megoldások is, a U.S. Federal piac számára. A PTP megoldásainkat 99,999%-os rendelkezésre álláshoz robusztussá tettük, így mindaddig a legkörülményesebb rálátás nélküli RF környezetekben is kifogástalanul nyújtanak megbízható nagy sebességű backhaul összeköttetést.

A rugalmas Point-to-Multipoint (PMP) megoldásaink a licencelt, licenceletlen és szövetségi frekvenciasávokban üzemelnek; megbízható, biztonságos, költségkímélő hozzáférési hálózatokat biztosítva. Világszerte több, mint hárommillió modul van telepítve, ezáltal a PMP hozzáférési hálózat megoldásaink mindennap bizonyítanak a lakossági hozzáférés, bérelt vonalak kiváltása, a videós megfigyelés és a smart grid infrastruktúra alkalmazások terén.

A Cambium Networks megoldások bizonyítottak, és elismerten élen járnak a széles sávú vezeték nélküli kommunikáció ágazatában. Újító jellegű adat-, beszédhang- és videó-összeköttetés megoldásokat tervezünk, telepítünk és szolgáltatunk, amelyekkel biztosítható a mindennapi kommunikáció, szinte mindenütt elősegítve a személyes, üzleti és közösségi gyarapodást.

Használati útmutatók: <http://www.cambiumnetworks.com/guides>

Műszaki képzés: <https://learning.cambiumnetworks.com>

Támogatási webhely: <https://support.cambiumnetworks.com>

Cím: Cambium Networks Limited,  
Linhay Business Park,  
Eastern Road  
Ashburton,  
Devon, TQ13 7UP  
Egyesült Királyság (UK)

# Mounting

## Hub-360r

### Pole Mount

**1**

**1a**

### Wall Mount

**2**

**2a**

### Cable Assembly

**3a**

**3b**

**3c**

**3d**

### Cable Mount

**4**

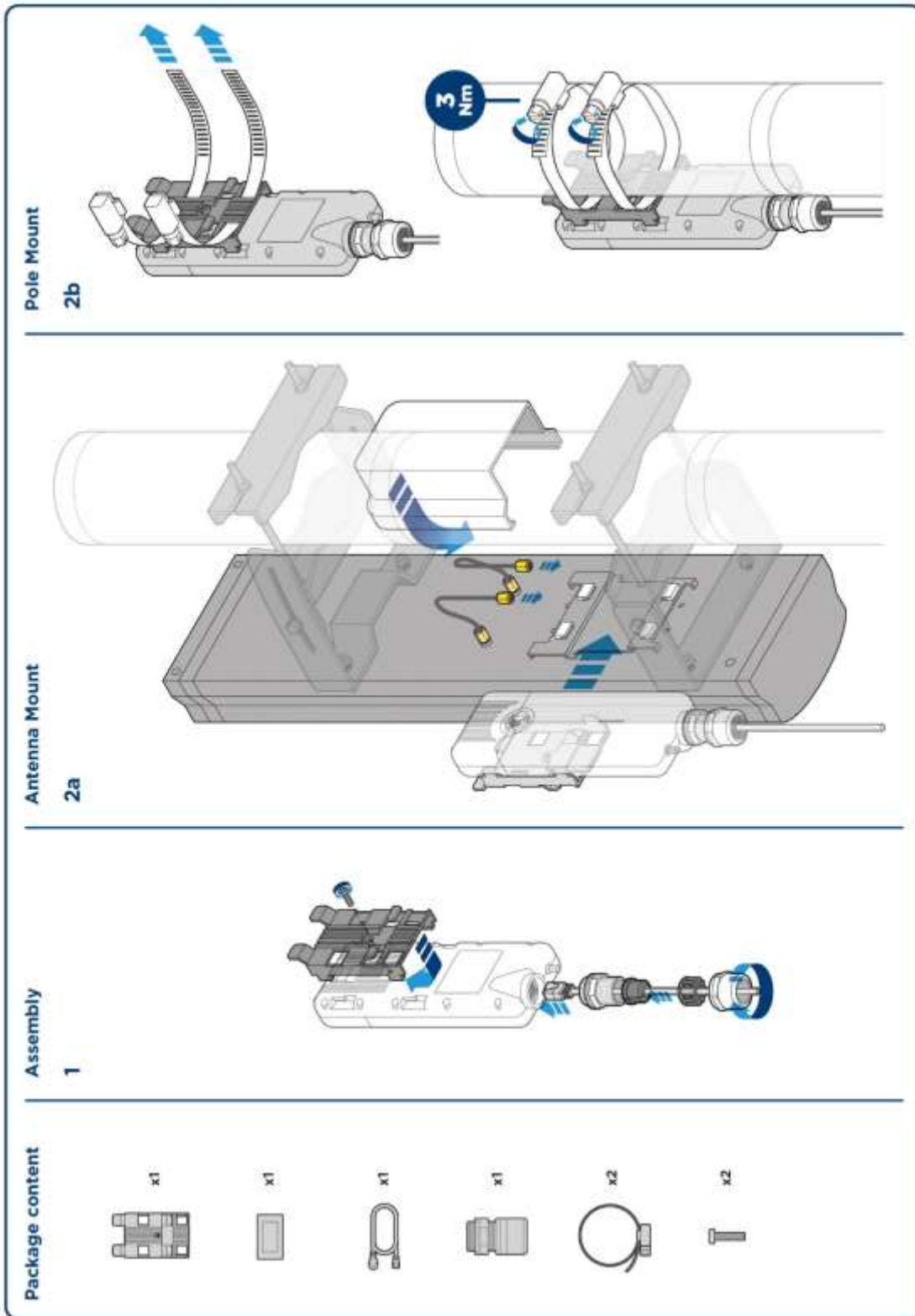
**4a**

### Powering up

DHCP/192.168.0.1  
admin/admin  
<http://cloud.cambiumnetworks.com>  
<http://support.cambiumnetworks.com>



Hub-FLEXr





## Client-MINI

**Package Contents**

- x1
- x1
- x1
- x1
- x1

**Pole Mount**

**Powering Up**

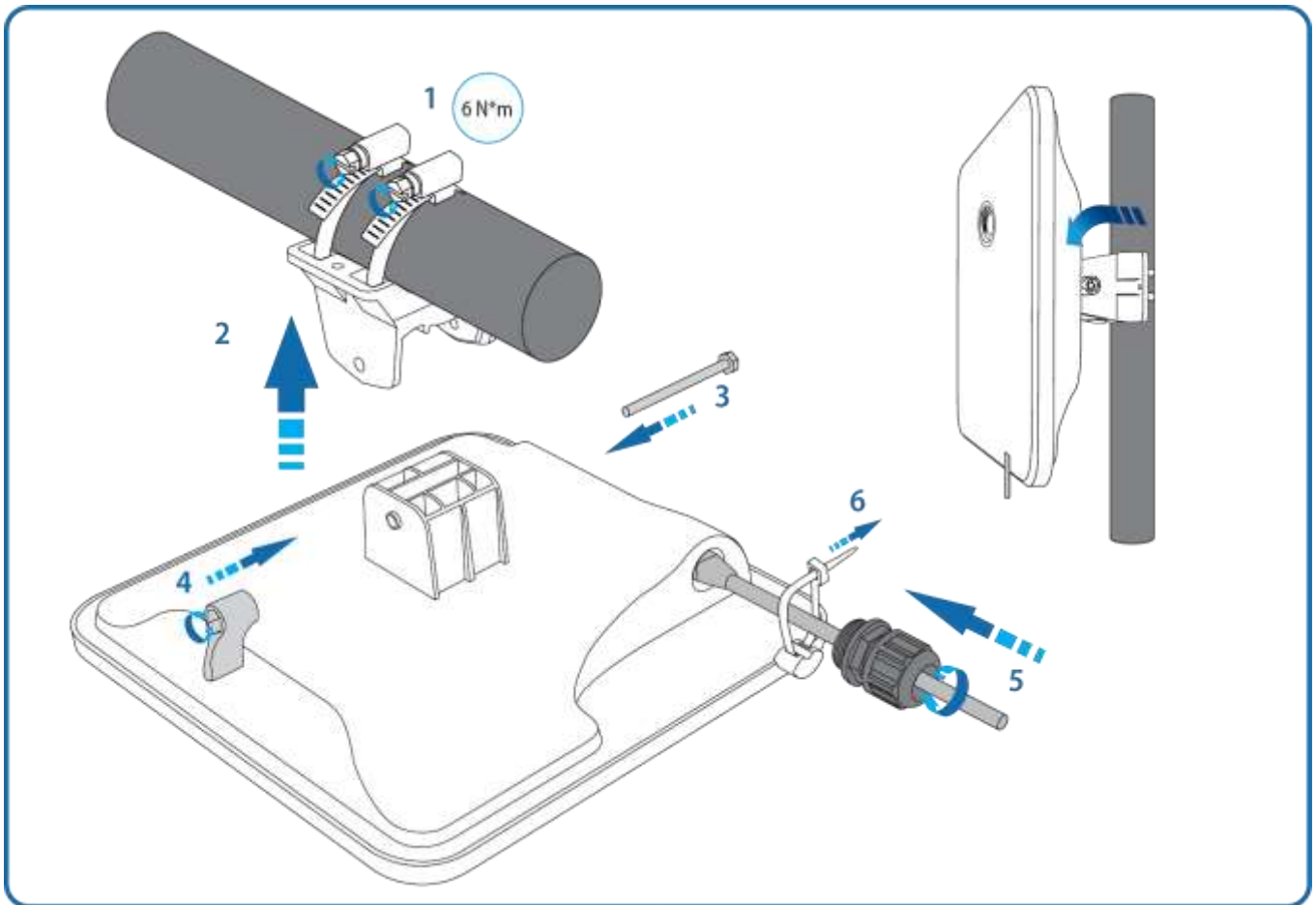
- DHCP /192.168.0.1 (Master) /192.168.0.2 (Slave)
- admin/admin
- <https://cloud.cambiumnetworks.com>
- <https://support.cambiumnetworks.com>

## Client-MICRO Pole Mount

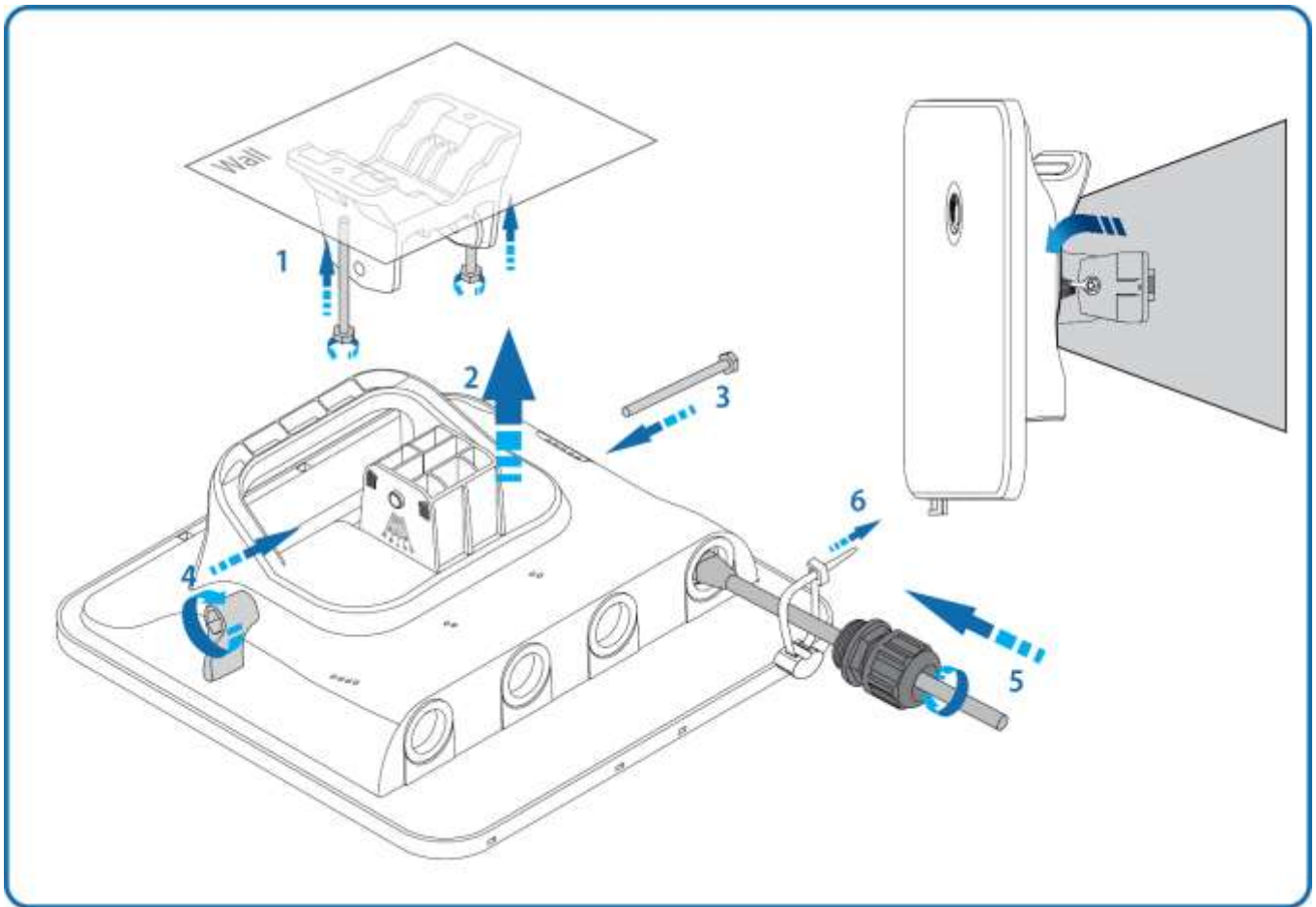
**Pole Mount**

**Package Content**

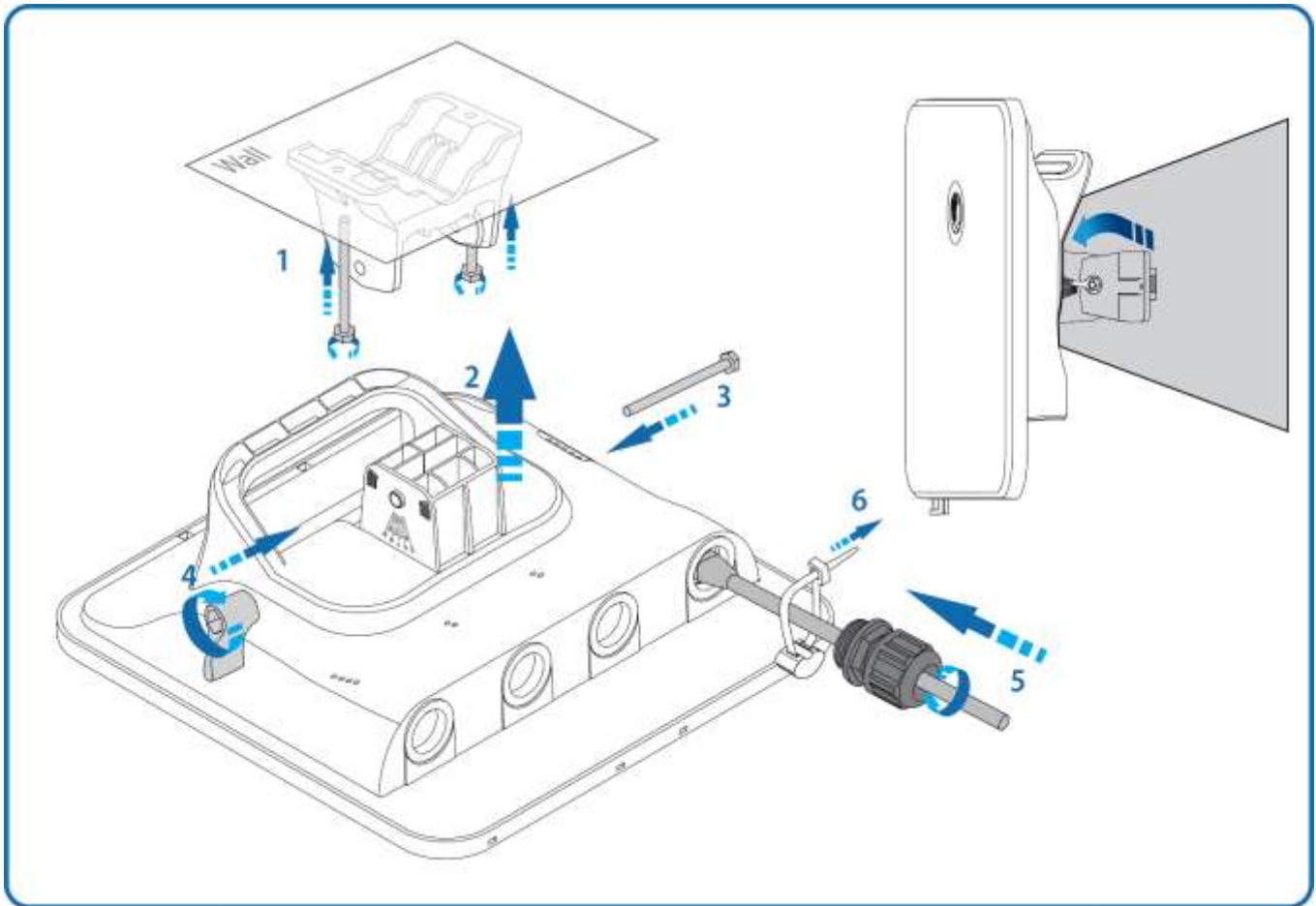
## Client-MAXr Pole Mount



## Client-MAXr Wall Mount



## Client-MAXrp Pole Mount



## Client-MAXrp Wall Mount

